



US00D656011S

(12) **United States Design Patent**
Leu et al.

(10) **Patent No.:** **US D656,011 S**
(45) **Date of Patent:** **** Mar. 20, 2012**

(54) **SQUARE TAG FOR A BOTTLE OR SIMILAR ARTICLE**

2005/0229449 A1* 10/2005 Shepley 40/306
* cited by examiner

(76) Inventors: **Kristin Leu**, New York, NY (US);
Jennifer Simoni, Hoboken, NJ (US)

Primary Examiner — Susan Bennett Hattan
(74) *Attorney, Agent, or Firm* — Powley & Gibson, P.C.

(**) Term: **14 Years**

(57) **CLAIM**

(21) Appl. No.: **29/361,953**

We claim the ornamental design for a square tag for a bottle or similar article, as shown and described.

(22) Filed: **May 18, 2010**

DESCRIPTION

(51) **LOC (9) Cl.** **09-07**

(52) **U.S. Cl.** **D9/434; D20/27**

(58) **Field of Classification Search** D9/713,
D9/516, 457, 456, 447, 444, 443, 436, 435,
D9/434; D20/40, 28, 27, 22; D11/3; 40/633,
40/321, 313, 312, 310, 124.04; 220/694;
215/386

See application file for complete search history.

FIG. 1 is a perspective view of the square tag for a bottle or similar article, showing our new design in full lines; FIG. 2 is a front view of the square tag in full lines; FIG. 3 is a rear view of the square tag in full lines; FIG. 4 is a right side view of the square tag in full lines; FIG. 5 is a left side view of the square tag in full lines; FIG. 6 is a top view of the square tag in full lines; FIG. 7 is a bottom view of the square tag in full lines; FIG. 8 is a top view of the square tag in full lines; FIG. 9 is a front view of the square tag in full lines; and, FIG. 10 is a right side view of the square tag in full lines.

(56) **References Cited**

U.S. PATENT DOCUMENTS

D43,281	S	*	11/1912	Jones	D20/22
1,298,621	A	*	3/1919	Wrigley	40/639
1,471,716	A	*	10/1923	Austin	40/340
1,618,983	A	*	3/1927	Intemann	40/321
D128,682	S	*	8/1941	Reinstein	D11/74
D134,335	S	*	11/1942	McVay	D9/457
5,800,881	A	*	9/1998	Etzion	428/5
D466,339	S	*	12/2002	Risdon	D6/491
D561,059	S	*	2/2008	Aoyama	D11/119

The break in the ribbon indicates that the ribbon is of no particular length. The broken lines shown on the ribbon indicate that the ribbon is of no particular width. The broken lines showing wording on the square tag and showing a bottle illustrate portions of the design or environmental matter that form no part of the claim.

1 Claim, 7 Drawing Sheets

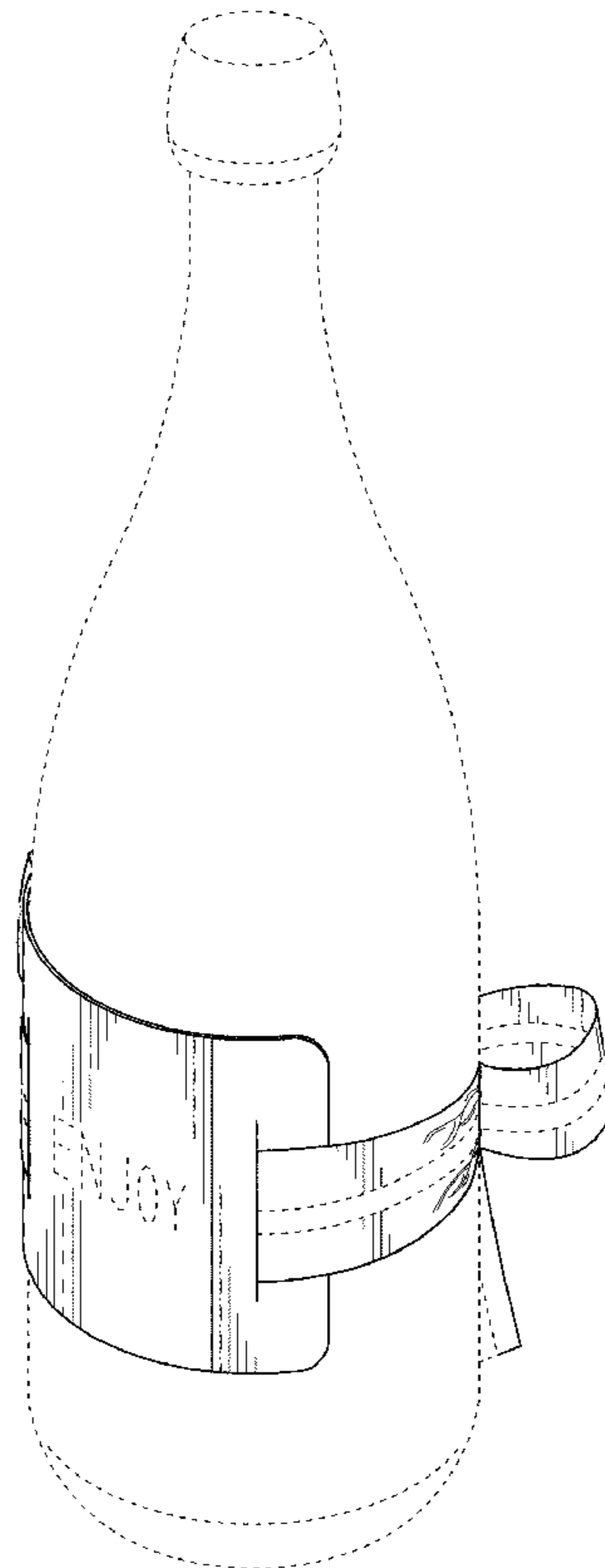


FIG. 1

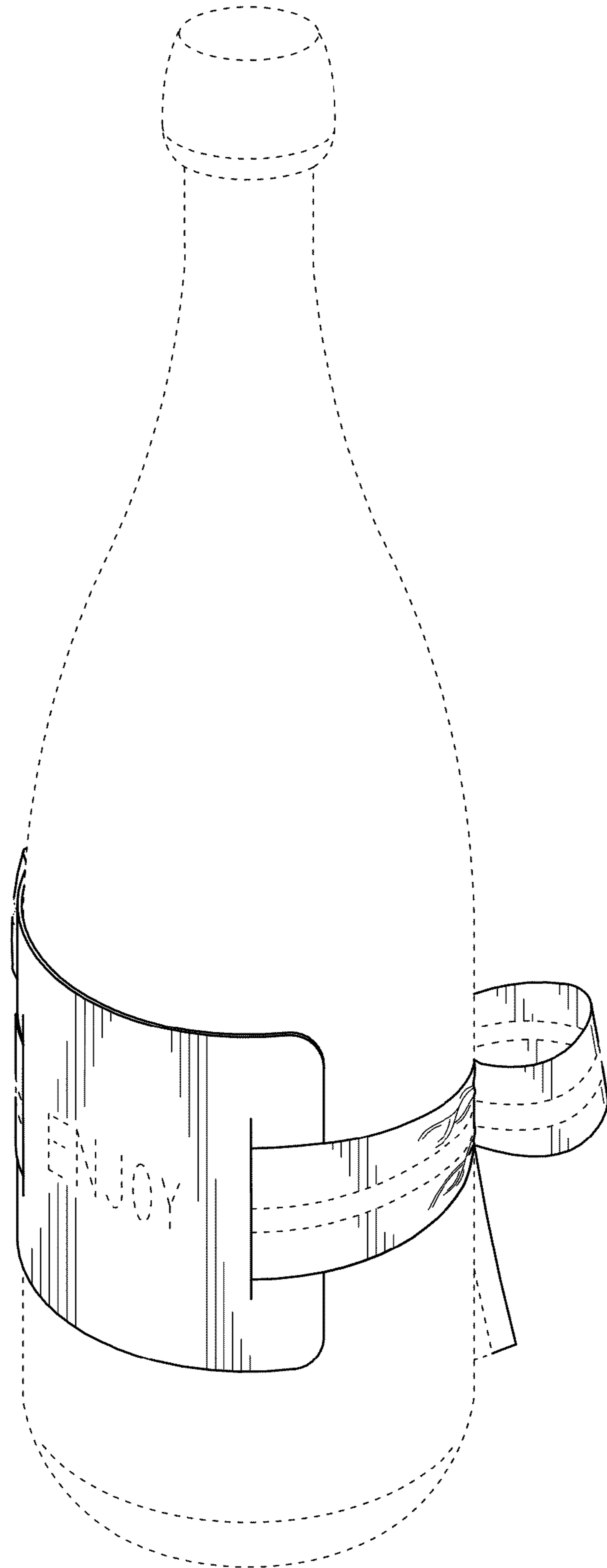


FIG. 2

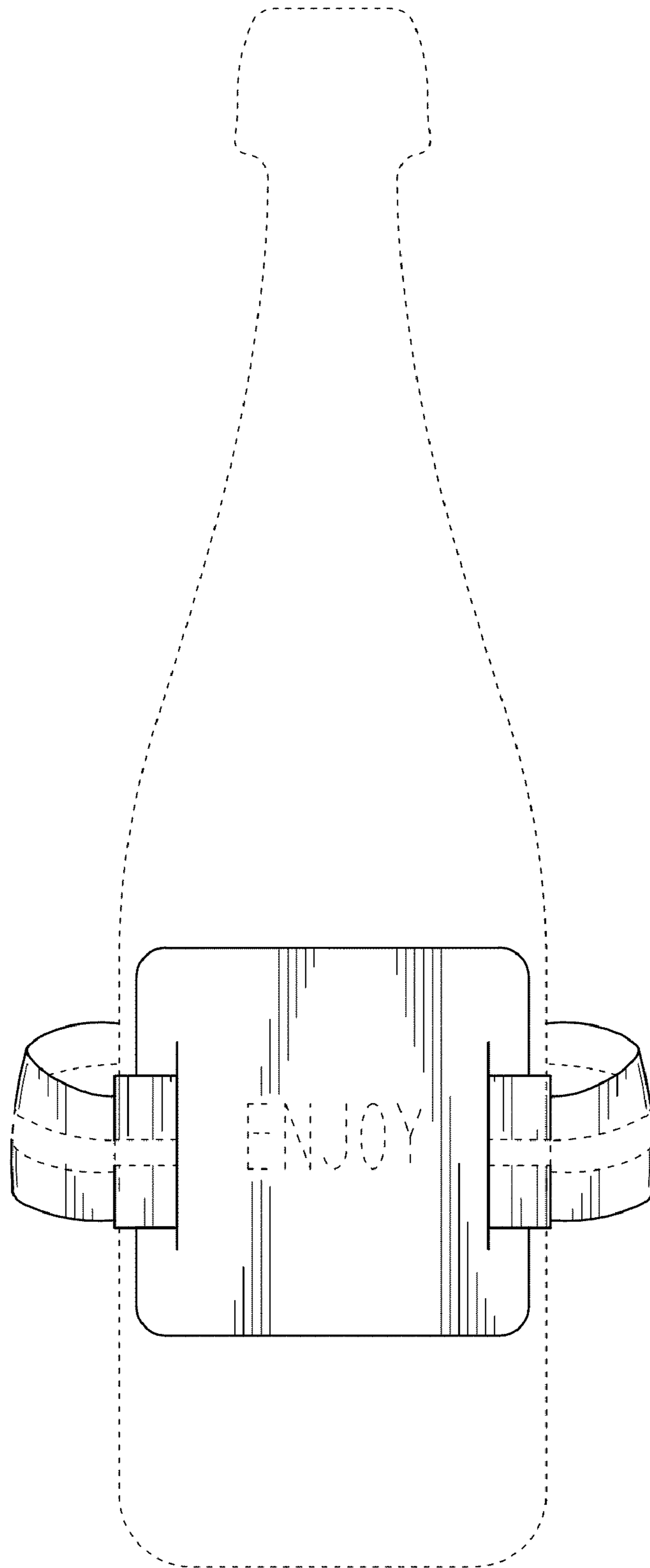


FIG. 3

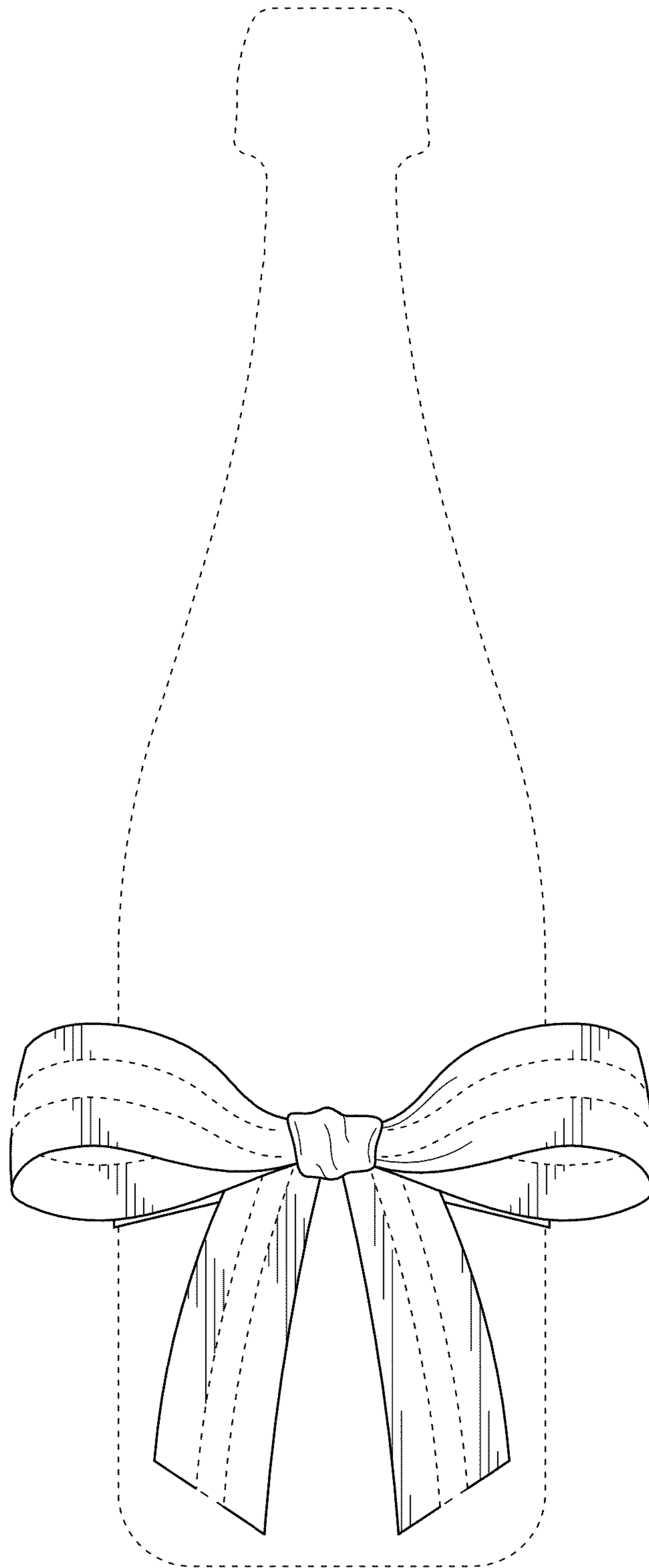


FIG. 4

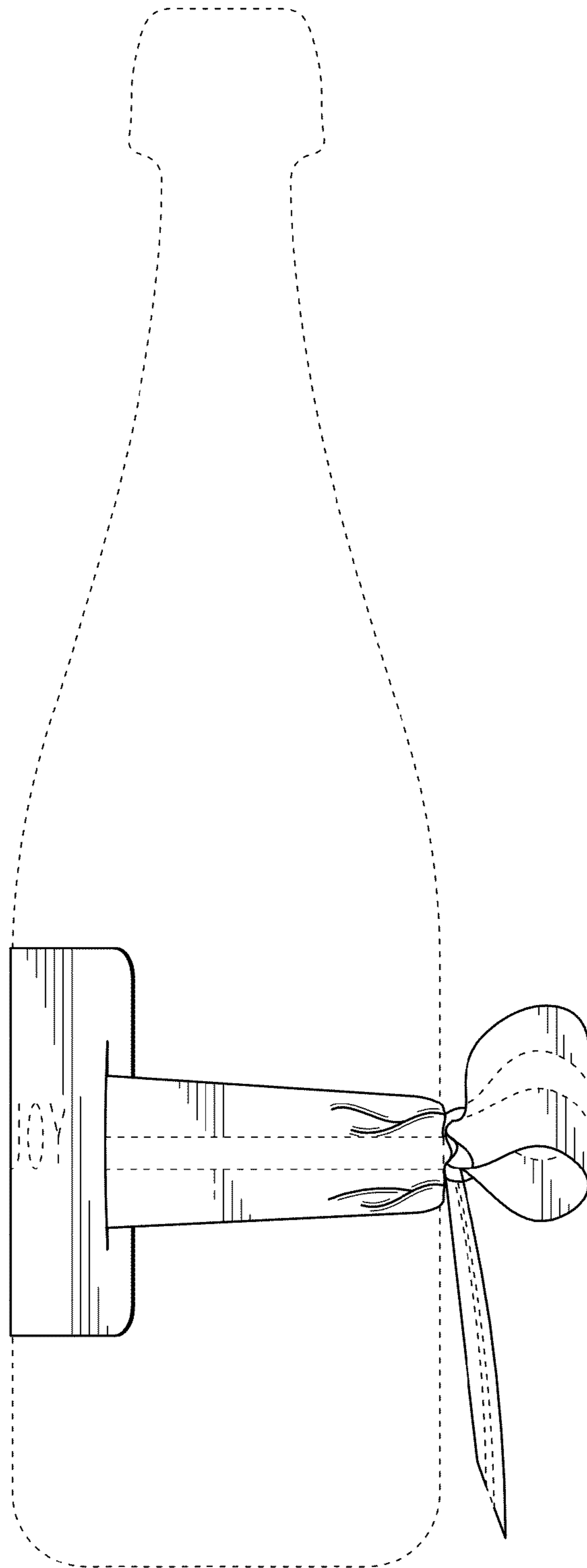


FIG. 5

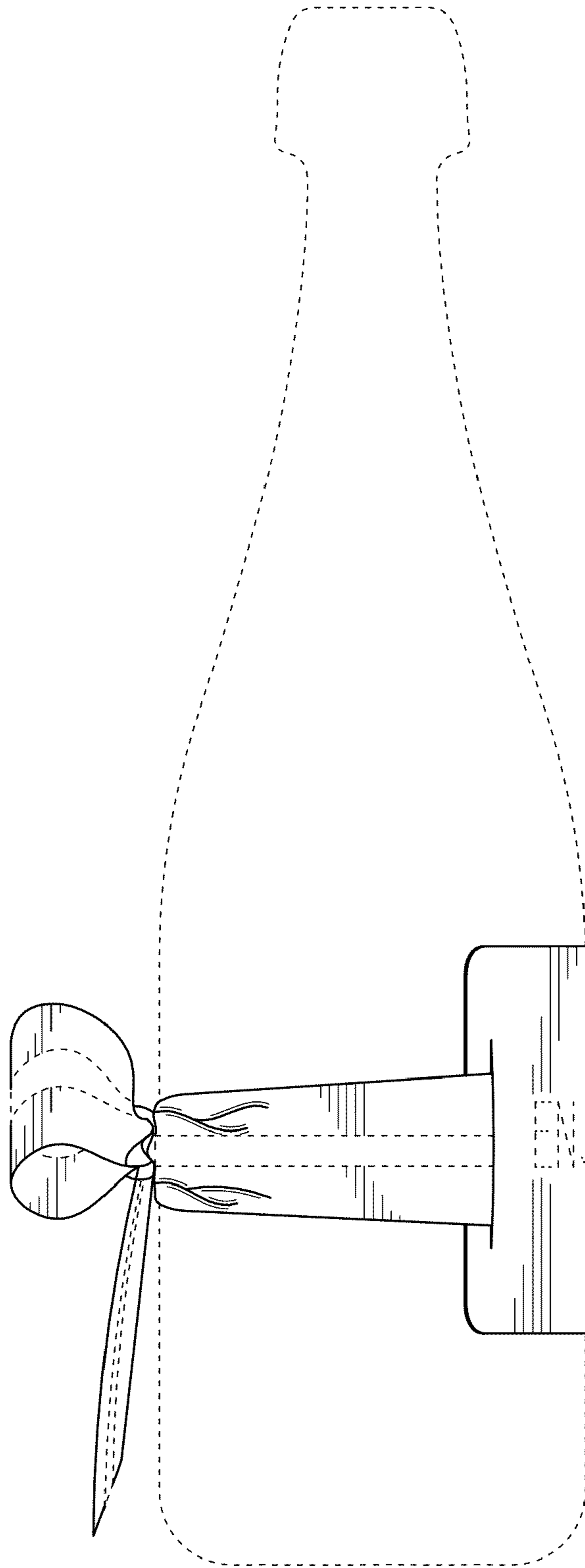


FIG. 6

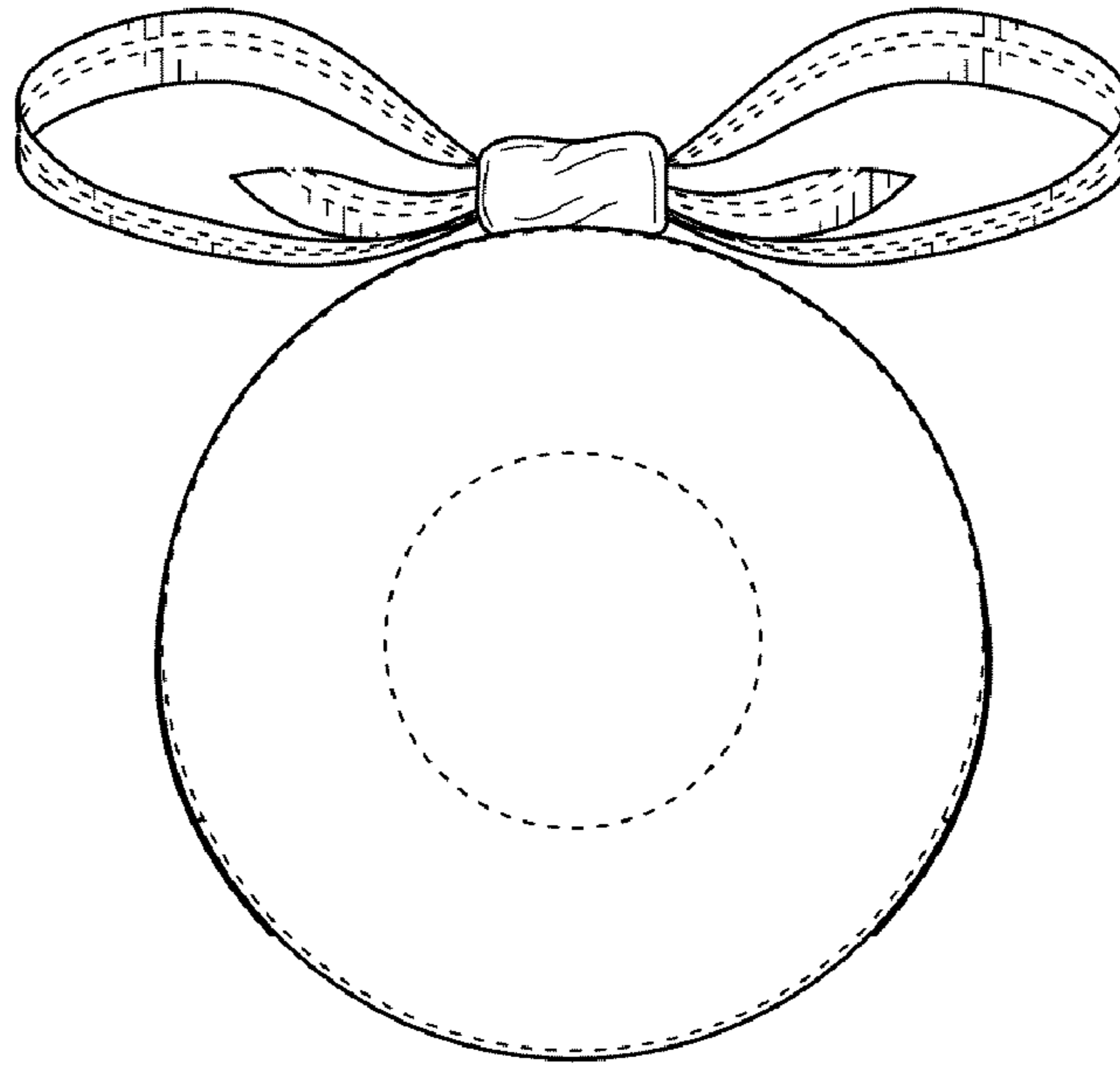


FIG. 7

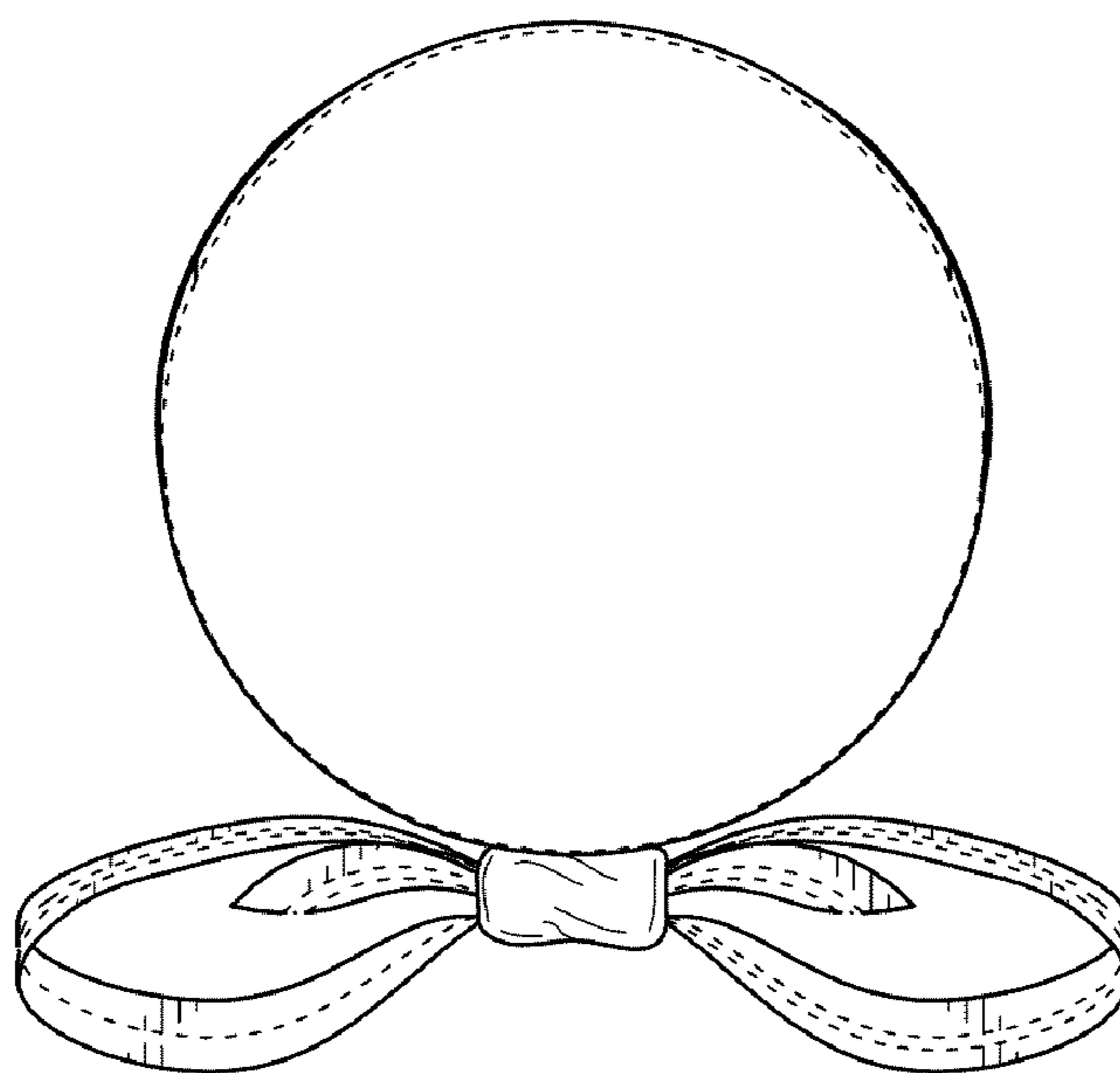


FIG. 8

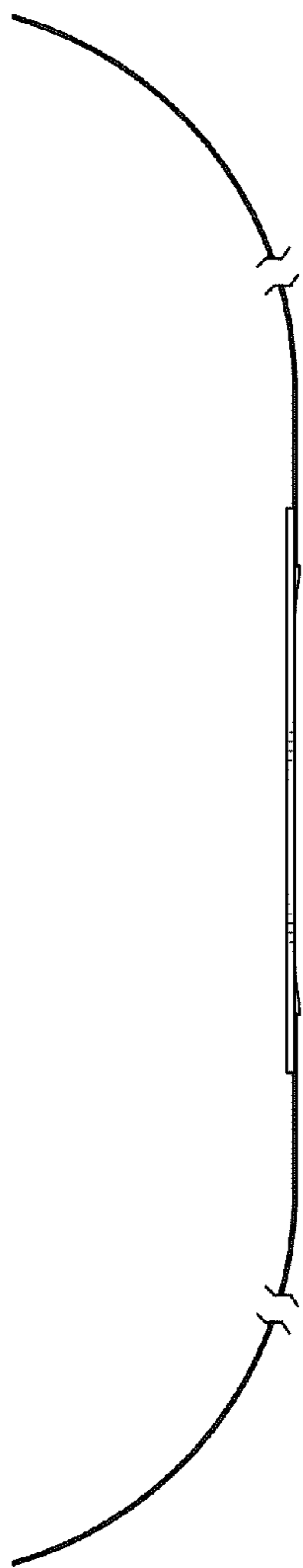


FIG. 9

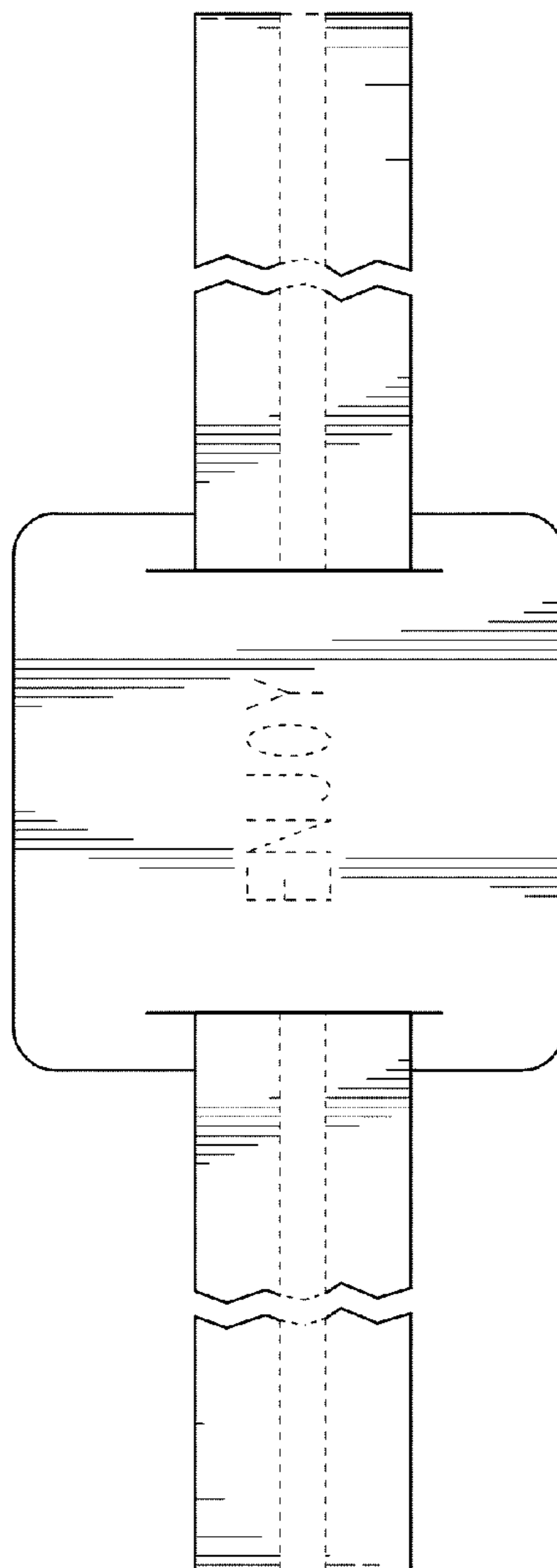


FIG. 10

