



US00D656010S

(12) **United States Design Patent**  
**Ortiz et al.**

(10) **Patent No.:** **US D656,010 S**  
(45) **Date of Patent:** **\*\* Mar. 20, 2012**

(54) **CONTAINER**  
(75) Inventors: **Diana Ortiz**, Purchase, NY (US); **Jason Billig**, New York, NY (US); **Stuart Leslie**, New York, NY (US)  
(73) Assignee: **PepsiCo, Inc.**, Purchase, NY (US)  
(\*\*) Term: **14 Years**  
(21) Appl. No.: **29/401,858**  
(22) Filed: **Sep. 16, 2011**

5,979,710 A 11/1999 Willemsen et al.  
6,086,931 A 7/2000 Whiteford  
D430,023 S 8/2000 Shurtleff et al.  
D438,794 S 3/2001 Miles et al.  
D452,152 S 12/2001 Meeker et al.  
D452,433 S 12/2001 Lazaris  
D452,434 S 12/2001 Sweeney  
D452,821 S 1/2002 Westphal  
D453,108 S 1/2002 Gasco  
D473,463 S 4/2003 Armstrong et al.  
6,588,654 B2 7/2003 Nakashima  
D507,740 S 7/2005 Ruiz et al.  
D509,109 S 9/2005 Vovan  
D519,831 S 5/2006 de Cleir et al.  
D539,134 S 3/2007 Wallach  
D542,649 S 5/2007 Sagel et al.  
D543,452 S 5/2007 Gehring et al.  
D543,843 S 6/2007 Gehring et al.  
D546,672 S 7/2007 Chou  
D548,069 S 8/2007 Sagel et al.  
D561,020 S 2/2008 Kessell et al.  
D574,703 S 8/2008 Cassol et al.

**Related U.S. Application Data**

(62) Division of application No. 29/354,097, filed on Jan. 19, 2010, now Pat. No. Des. 646,968.  
(51) **LOC (9) Cl.** ..... **09-03**  
(52) **U.S. Cl.** ..... **D9/429**  
(58) **Field of Classification Search** ..... D9/414,  
D9/418, 424, 425, 428, 429; D7/619, 629;  
229/400-406, 932, 906.1; 220/656-659,  
220/669-675, 912, 4.21-4.27; 206/553,  
206/557, 541, 775, 776  
See application file for complete search history.

*Primary Examiner* — Thomas Johannes  
(74) *Attorney, Agent, or Firm* — Banner & Witcoff, Ltd.

(Continued)

(57) **CLAIM**  
The ornamental design for a container, as shown and described.

(56) **References Cited**

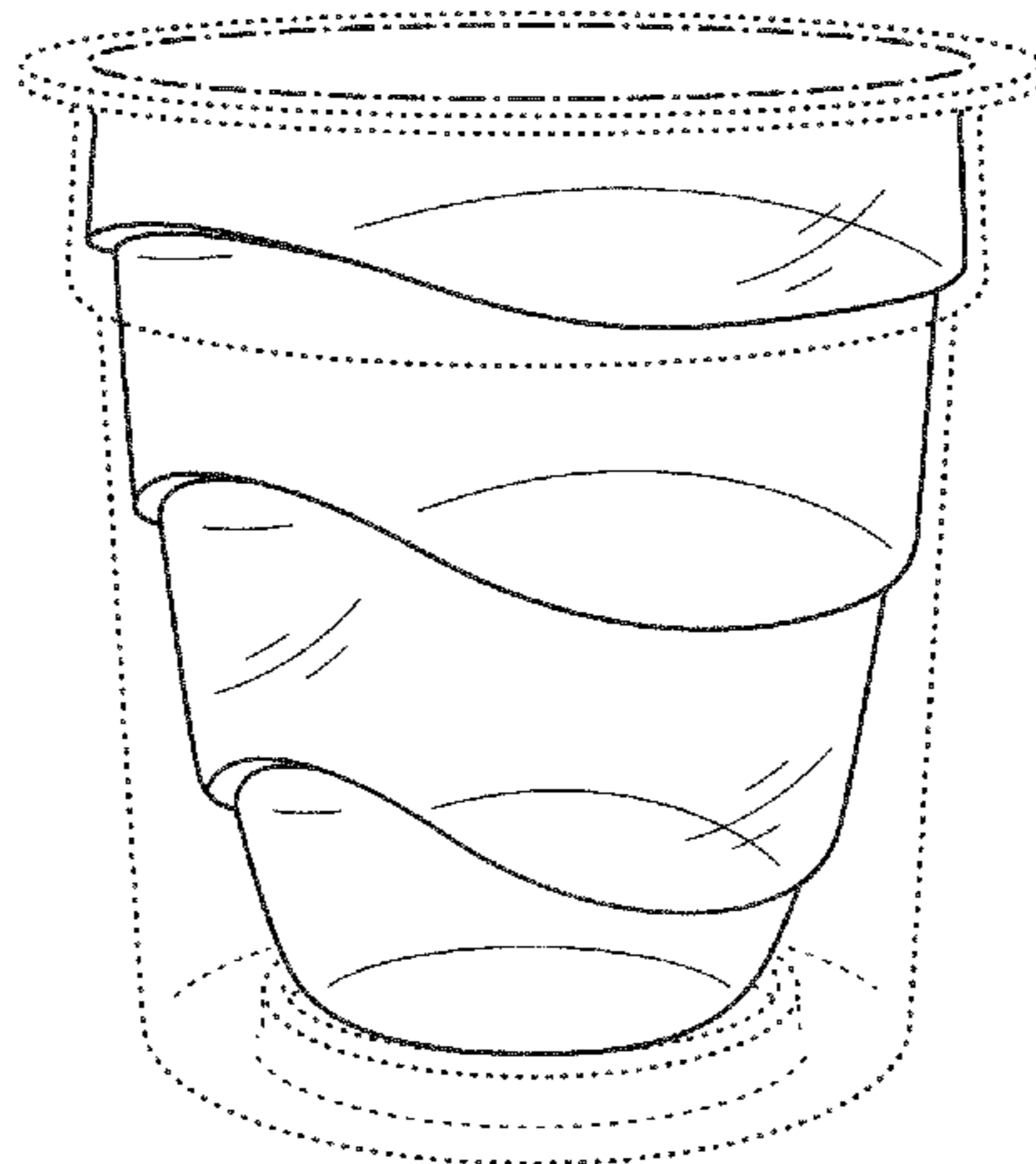
**U.S. PATENT DOCUMENTS**

D193,584 S 9/1962 Eicholtz  
D193,585 S 9/1962 Eicholtz  
D195,282 S 5/1963 Kulow  
D195,283 S 5/1963 Kulow  
D213,428 S 3/1969 Batdorf  
4,875,620 A 10/1989 Lane, Sr.  
D317,567 S 6/1991 Lane, Sr.  
D317,568 S 6/1991 Lane, Sr.  
D317,569 S 6/1991 Lane, Sr.  
D336,041 S 6/1993 Zama  
5,224,623 A 7/1993 LaFleur  
D342,447 S 12/1993 Aylward  
D353,997 S 1/1995 Kashino et al.  
D364,564 S 11/1995 Moore  
5,782,376 A 7/1998 Brauner et al.  
D414,413 S 9/1999 Brown

**DESCRIPTION**

FIG. 1 is a front right perspective view of a container showing our new design;  
FIG. 2 is a front view thereof;  
FIG. 3 is a right side view thereof;  
FIG. 4 is a rear view thereof;  
FIG. 5 is a left side view thereof;  
FIG. 6 is a top view thereof; and,  
FIG. 7 is a bottom view thereof.  
The uneven length broken lines represent unclaimed boundaries of the claimed design. The even length broken lines showing the remainder of the container depict unclaimed subject matter only and form no part of the claimed design.

**1 Claim, 6 Drawing Sheets**



# US D656,010 S

Page 2

---

U.S. PATENT DOCUMENTS					
D575,148 S	8/2008	Sagel	D646,968 S *	10/2011	Ortiz et al. .... D9/429
D579,767 S	11/2008	Wallach	2003/0089631 A1	5/2003	Petricca
D597,404 S	8/2009	Bianchini	2008/0197153 A1	8/2008	Bourguignon et al.
D629,683 S *	12/2010	Fang .....	2008/0210697 A1	9/2008	Kessell et al.
D644,924 S *	9/2011	Lin .....			

\* cited by examiner

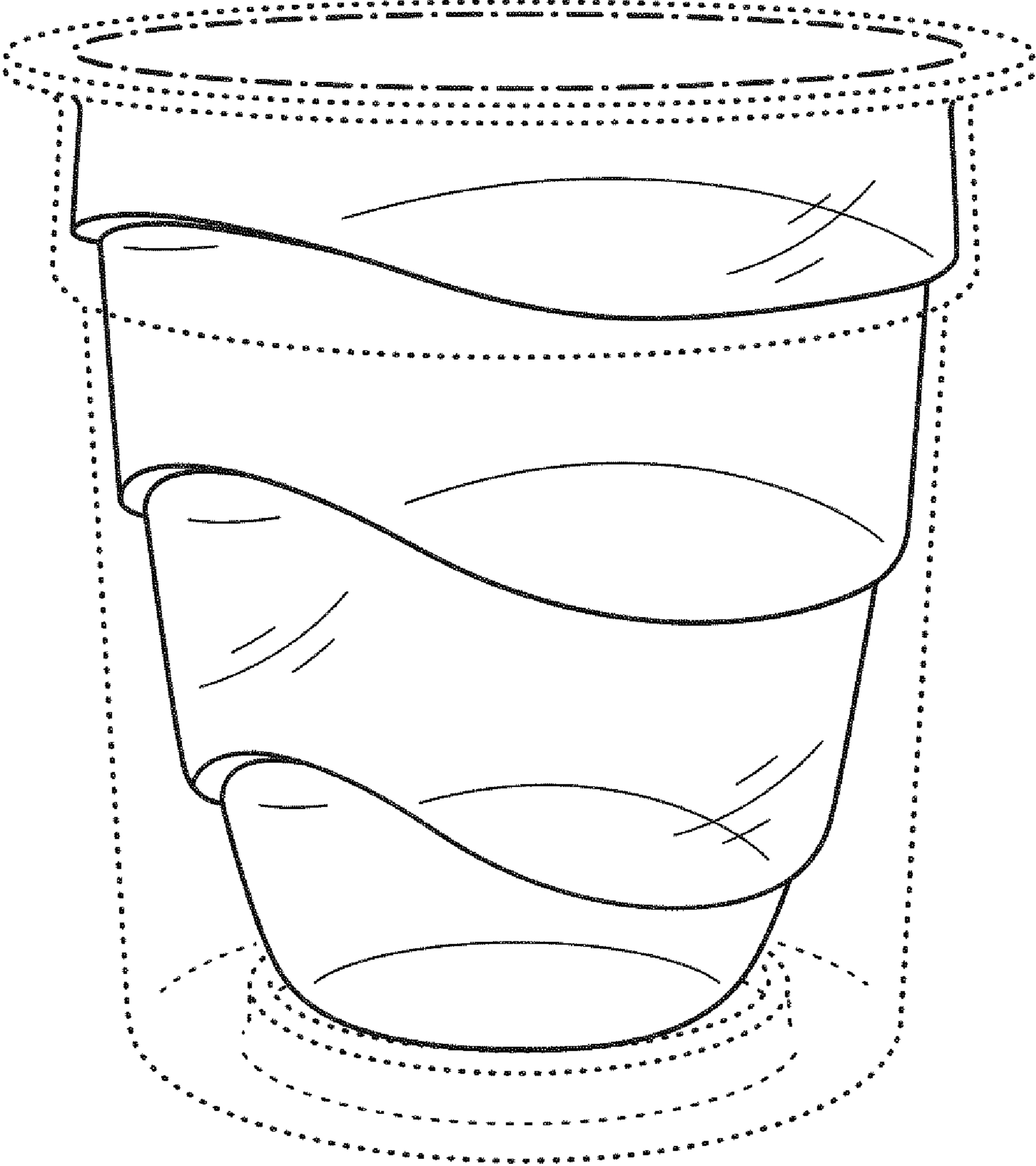


FIG. 1

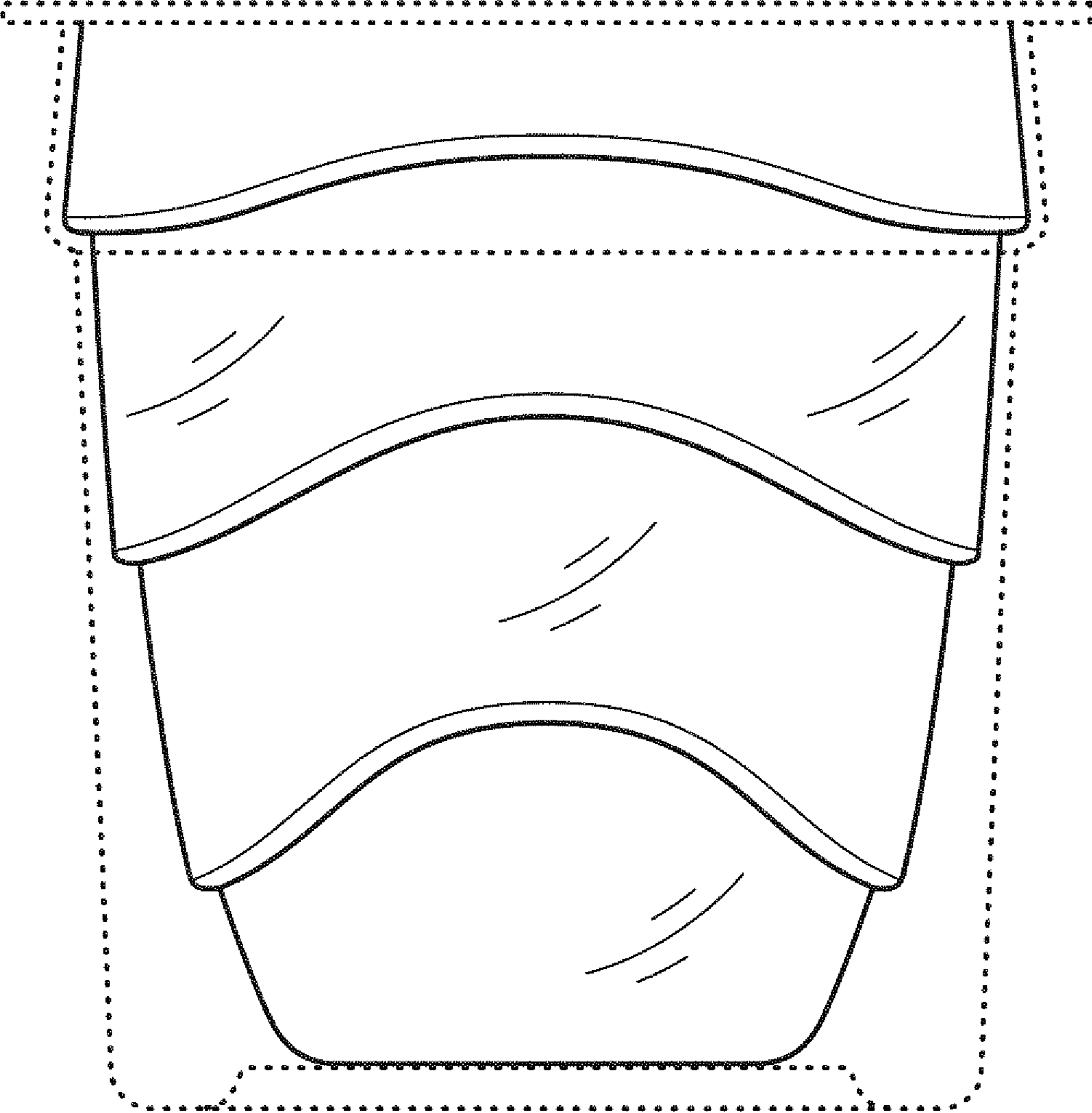


FIG. 2

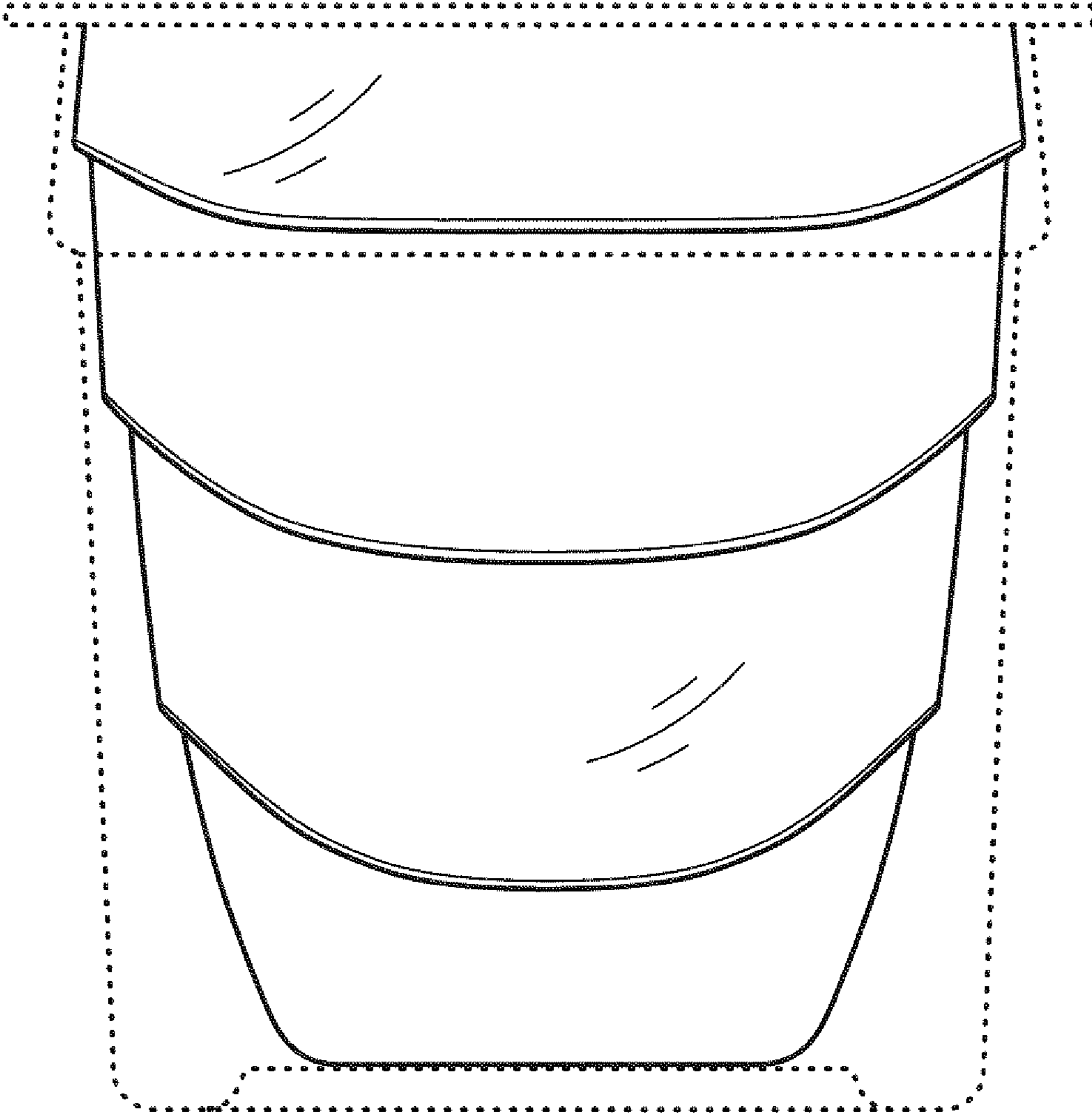


FIG. 3

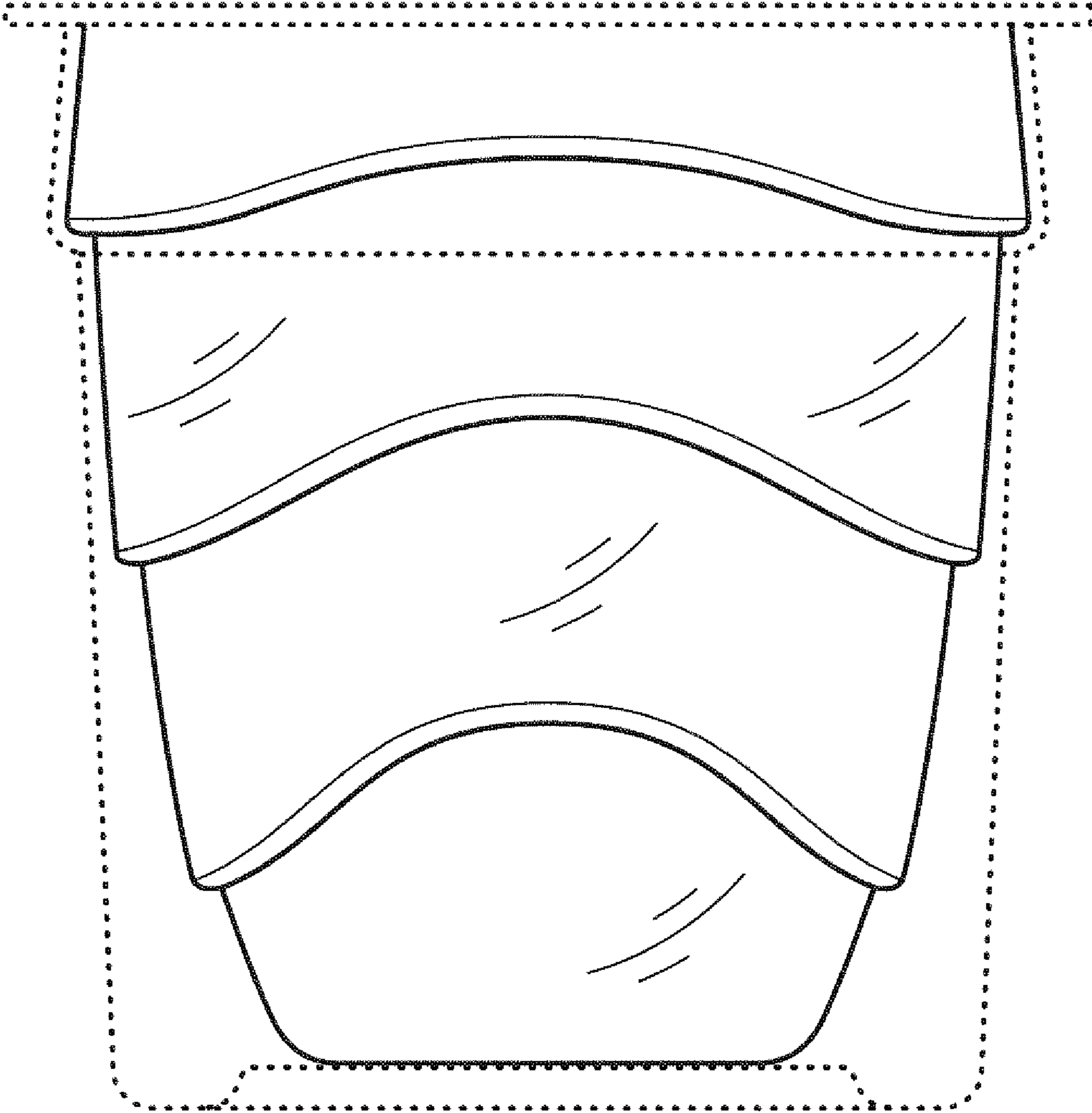


FIG. 4

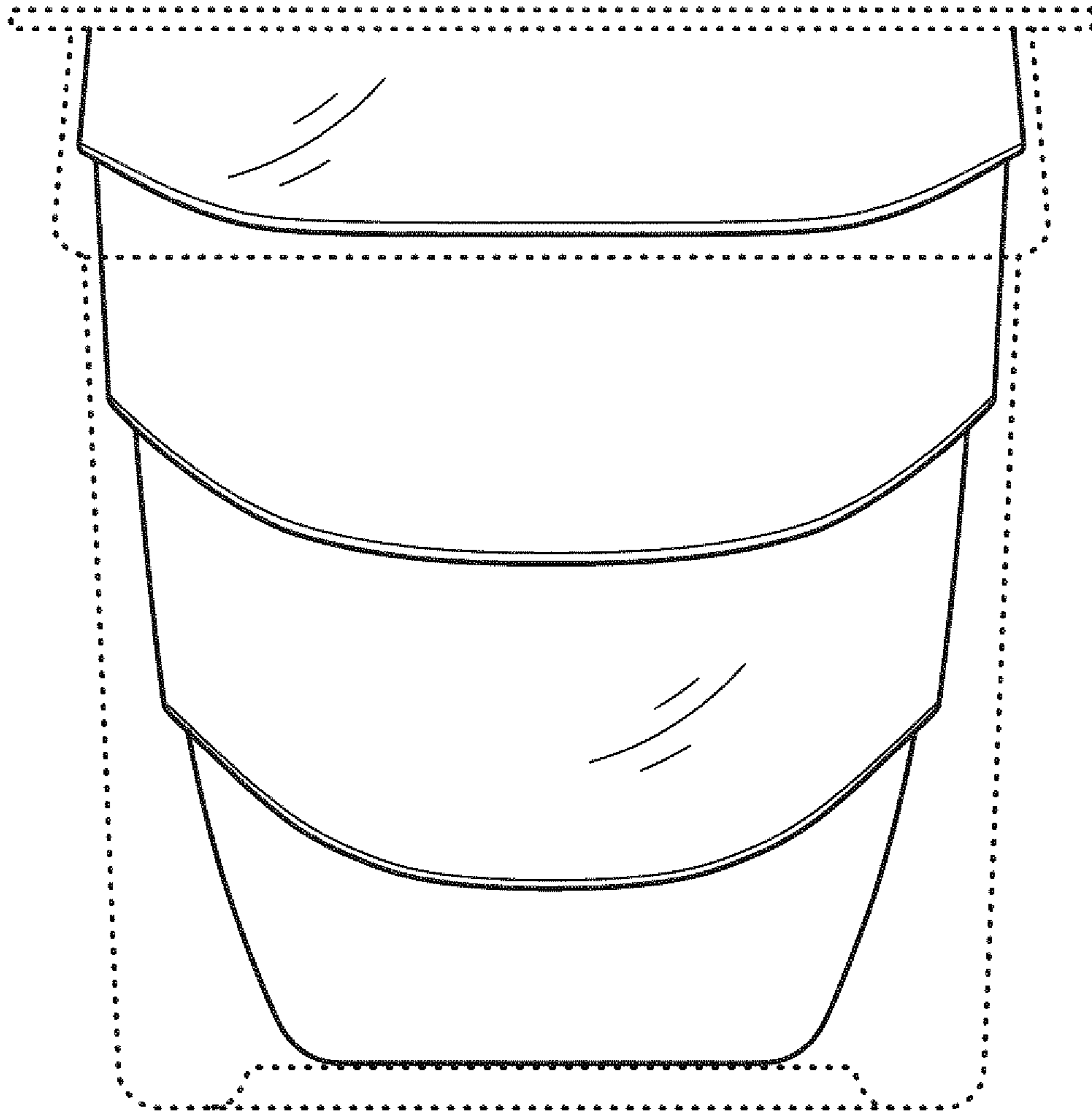


FIG. 5

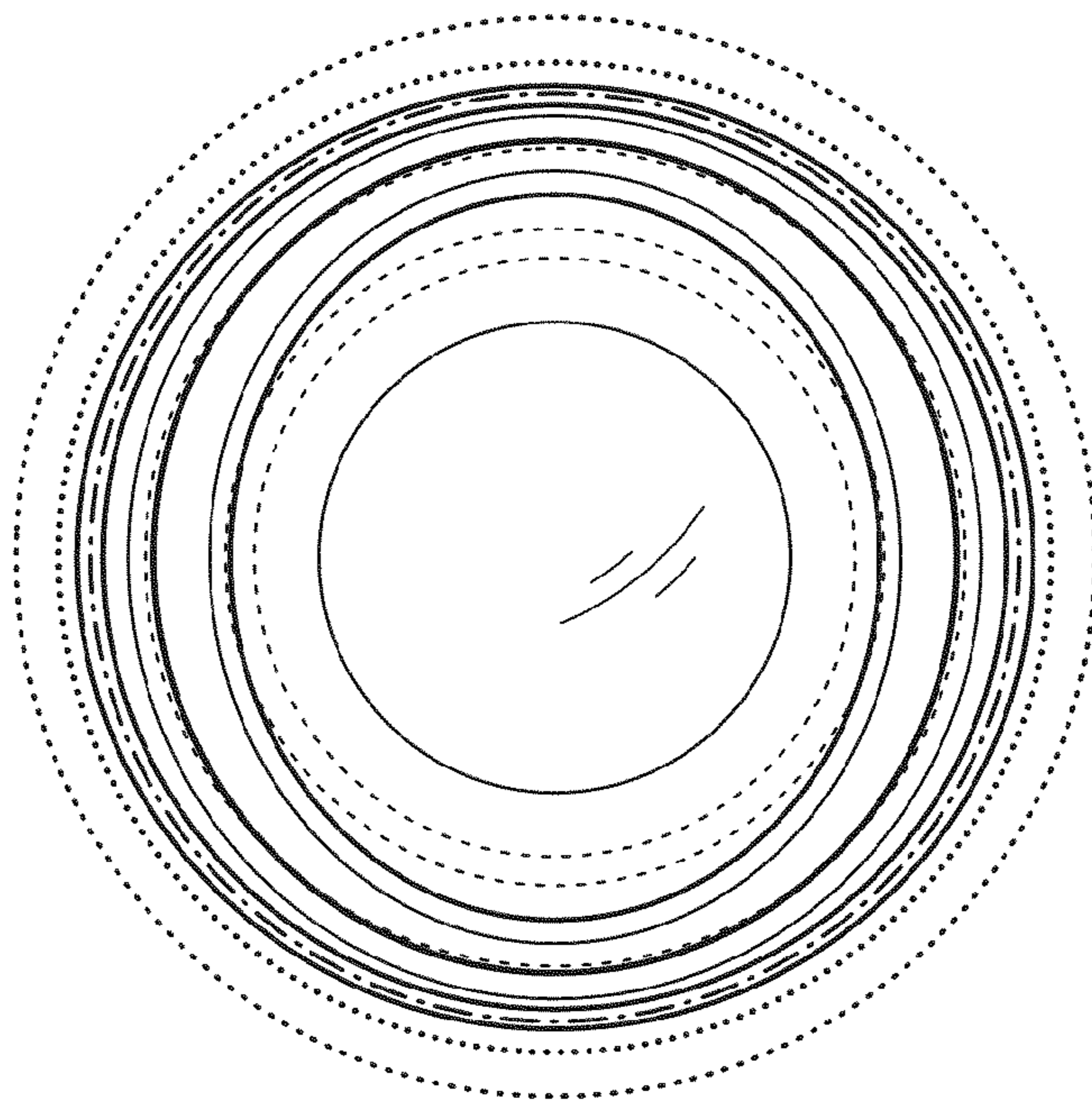


FIG. 6

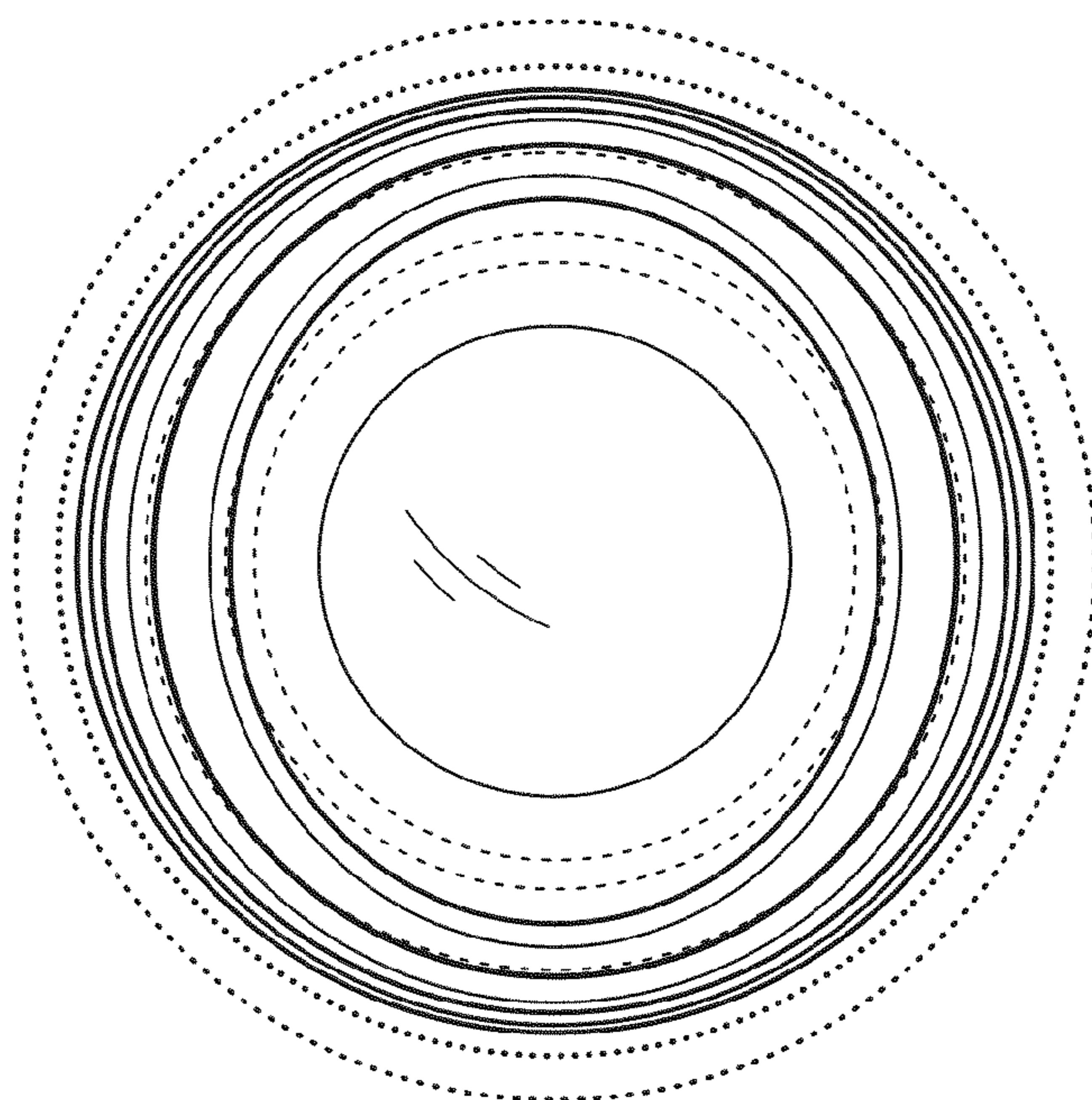


FIG. 7