



US00D656009S

(12) **United States Design Patent**
Ortiz et al.

(10) **Patent No.:** **US D656,009 S**
(45) **Date of Patent:** **** Mar. 20, 2012**

(54) **CONTAINER**

(75) Inventors: **Diana Ortiz**, Purchase, NY (US); **Jason Billig**, New York, NY (US); **Stuart Leslie**, New York, NY (US)

(73) Assignee: **PepsiCo, Inc.**, Purchase, NY (US)

(**) Term: **14 Years**

(21) Appl. No.: **29/401,844**

(22) Filed: **Sep. 16, 2011**

Related U.S. Application Data

(62) Division of application No. 29/354,097, filed on Jan. 19, 2010, now Pat. No. Des. 646,968.

(51) **LOC (9) Cl.** **09-03**

(52) **U.S. Cl.** **D9/428**

(58) **Field of Classification Search** D9/414,
D9/418, 424, 425, 428, 429; D7/619, 629;
229/400-406, 932, 906.1; 220/656-659,
220/669-675, 912, 4.21-4.27; 206/553,
206/557, 541, 775, 776
See application file for complete search history.

(56) **References Cited**

U.S. PATENT DOCUMENTS

D193,584 S	9/1962	Eicholtz	
D193,585 S	9/1962	Eicholtz	
D195,282 S	5/1963	Kulow	
D195,283 S	5/1963	Kulow	
D213,428 S	3/1969	Batdorf	
4,875,620 A	10/1989	Lane, Sr.	
D317,567 S	6/1991	Lane, Sr.	
D317,568 S	6/1991	Lane, Sr.	
D317,569 S	6/1991	Lane, Sr.	
D336,041 S	6/1993	Zama	
5,224,623 A	7/1993	LaFleur	
D342,447 S	12/1993	Aylward	
D351,790 S *	10/1994	Haindl	D9/425
D353,997 S	1/1995	Kashino et al.	
D364,564 S	11/1995	Moore	
5,782,376 A	7/1998	Brauner et al.	

D414,413 S	9/1999	Brown	
5,979,710 A	11/1999	Willemsen et al.	
6,086,931 A	7/2000	Whiteford	
D430,023 S	8/2000	Shurtleff et al.	
D438,794 S	3/2001	Miles et al.	
D452,152 S	12/2001	Meeker et al.	
D452,433 S	12/2001	Lazaris	
D452,434 S	12/2001	Sweeney	
D452,821 S	1/2002	Westphal	
D453,108 S	1/2002	Gasco	
D473,463 S	4/2003	Armstrong et al.	
D474,110 S *	5/2003	Sweeney	D9/428
6,588,654 B2	7/2003	Nakashima	
6,688,469 B1 *	2/2004	Barnes	206/541
D507,740 S	7/2005	Ruiz et al.	
D509,109 S	9/2005	Vovan	
D519,831 S	5/2006	de Cleir et al.	
D539,134 S	3/2007	Wallach	
D542,649 S	5/2007	Sagel et al.	
D543,452 S	5/2007	Gehring et al.	
D543,843 S	6/2007	Gehring et al.	
D546,672 S	7/2007	Chou	

(Continued)

Primary Examiner — Thomas Johannes

(74) *Attorney, Agent, or Firm* — Banner & Witcoff, Ltd.

(57)

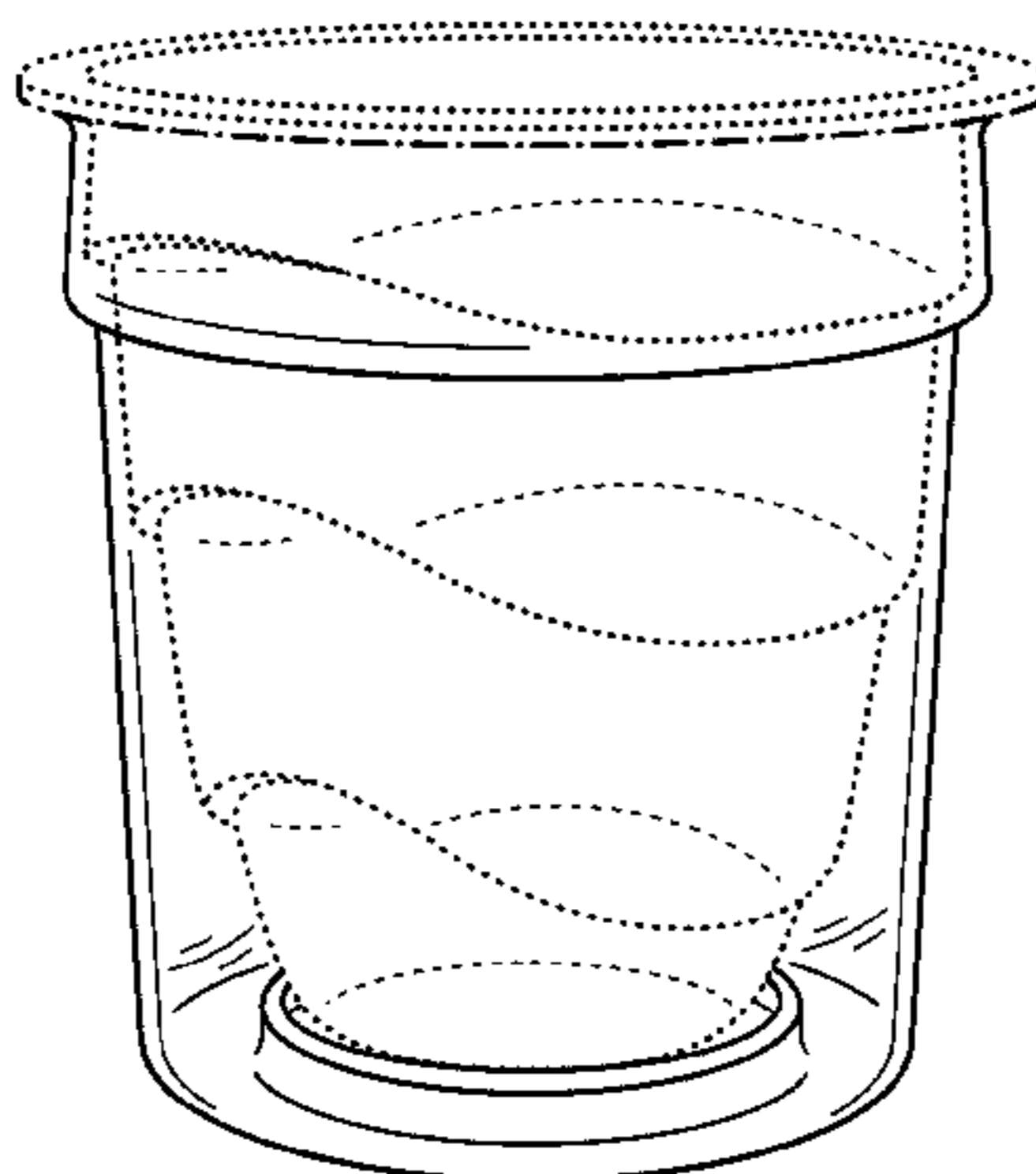
CLAIM

The ornamental design for a container, as shown and described.

DESCRIPTION

FIG. 1 is a front right perspective view of a container showing our new design;
FIG. 2 is a front view thereof;
FIG. 3 is a right side view thereof;
FIG. 4 is a rear view thereof;
FIG. 5 is a left side view thereof;
FIG. 6 is a top view thereof; and,
FIG. 7 is a bottom view thereof.
The uneven length broken lines represent unclaimed boundaries of the claimed design. The even length broken lines showing the remainder of the container depict unclaimed subject matter only and form no part of the claimed design.

1 Claim, 6 Drawing Sheets



US D656,009 S

Page 2

U.S. PATENT DOCUMENTS

D548,069 S 8/2007 Sagel et al.
D561,020 S 2/2008 Kessell et al.
D574,703 S 8/2008 Cassol et al.
D575,148 S 8/2008 Sagel
D579,767 S 11/2008 Wallach
D597,404 S 8/2009 Bianchini

D606,363 S * 12/2009 Aardenburg D7/400
D642,454 S * 8/2011 Santoiemmo D9/428
D646,968 S * 10/2011 Ortiz et al. D9/429
2003/0089631 A1 5/2003 Petricca
2008/0197153 A1 8/2008 Bourguignon et al.
2008/0210697 A1 9/2008 Kessell et al.

* cited by examiner

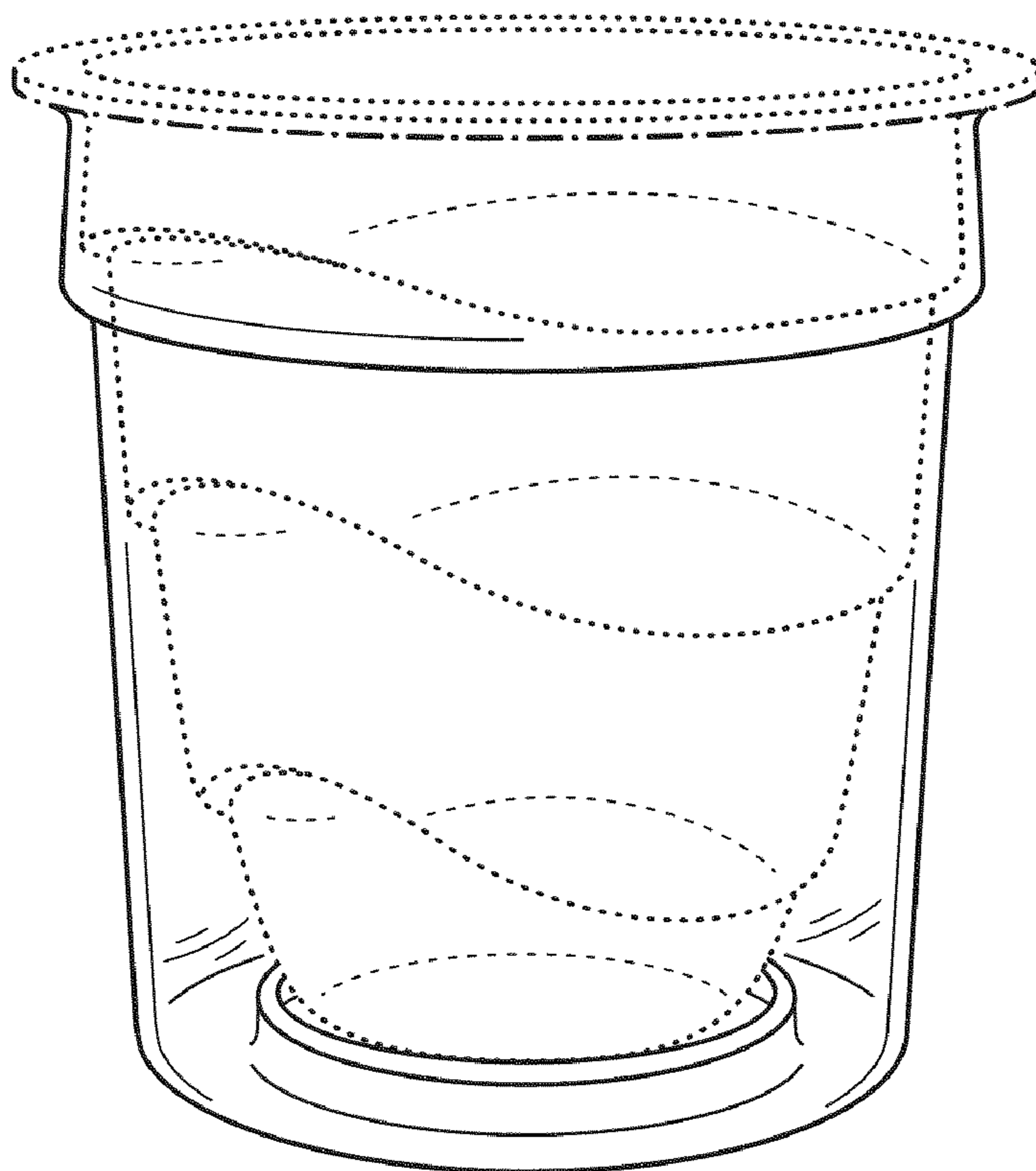


FIG. 1

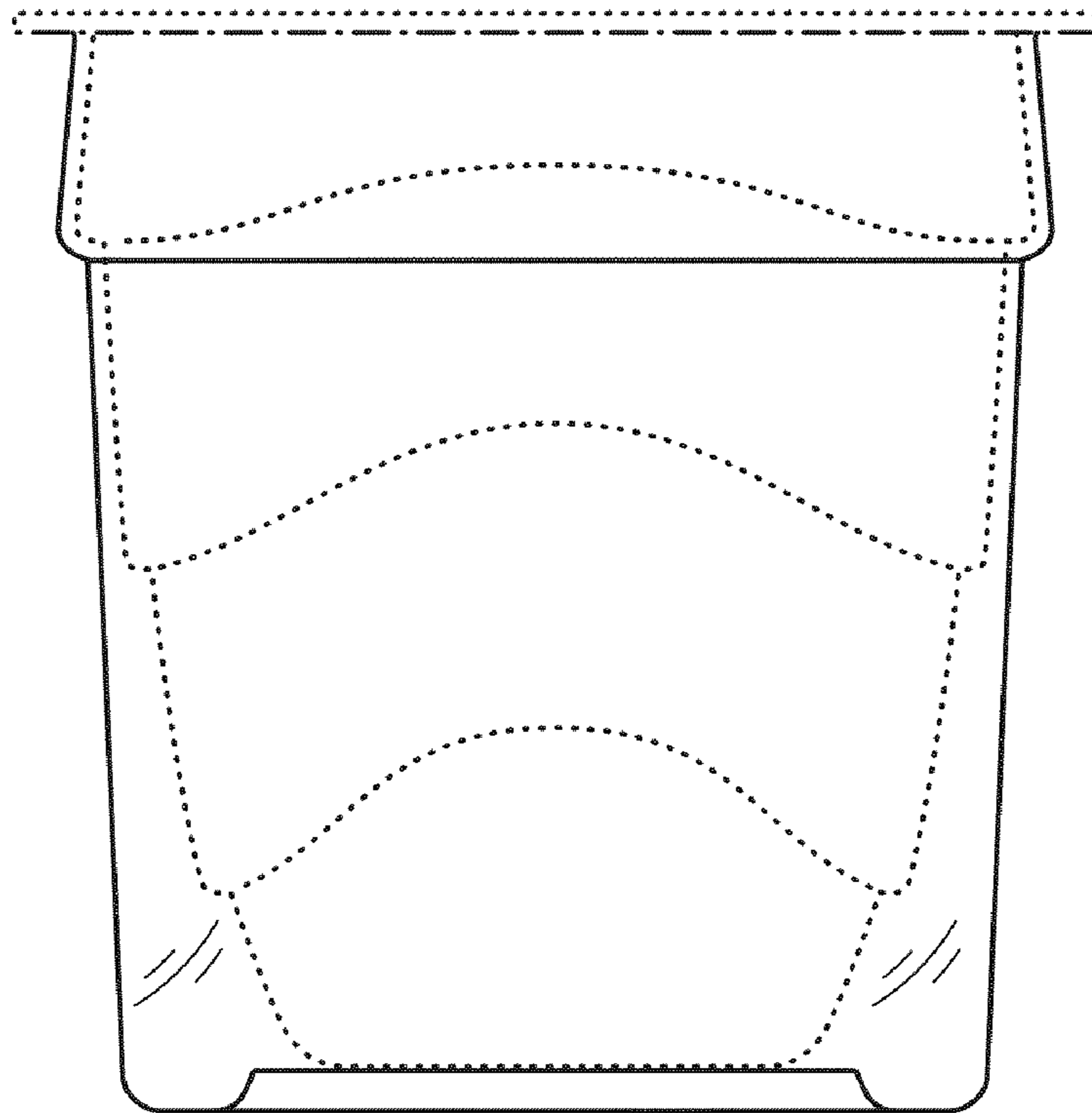


FIG. 2

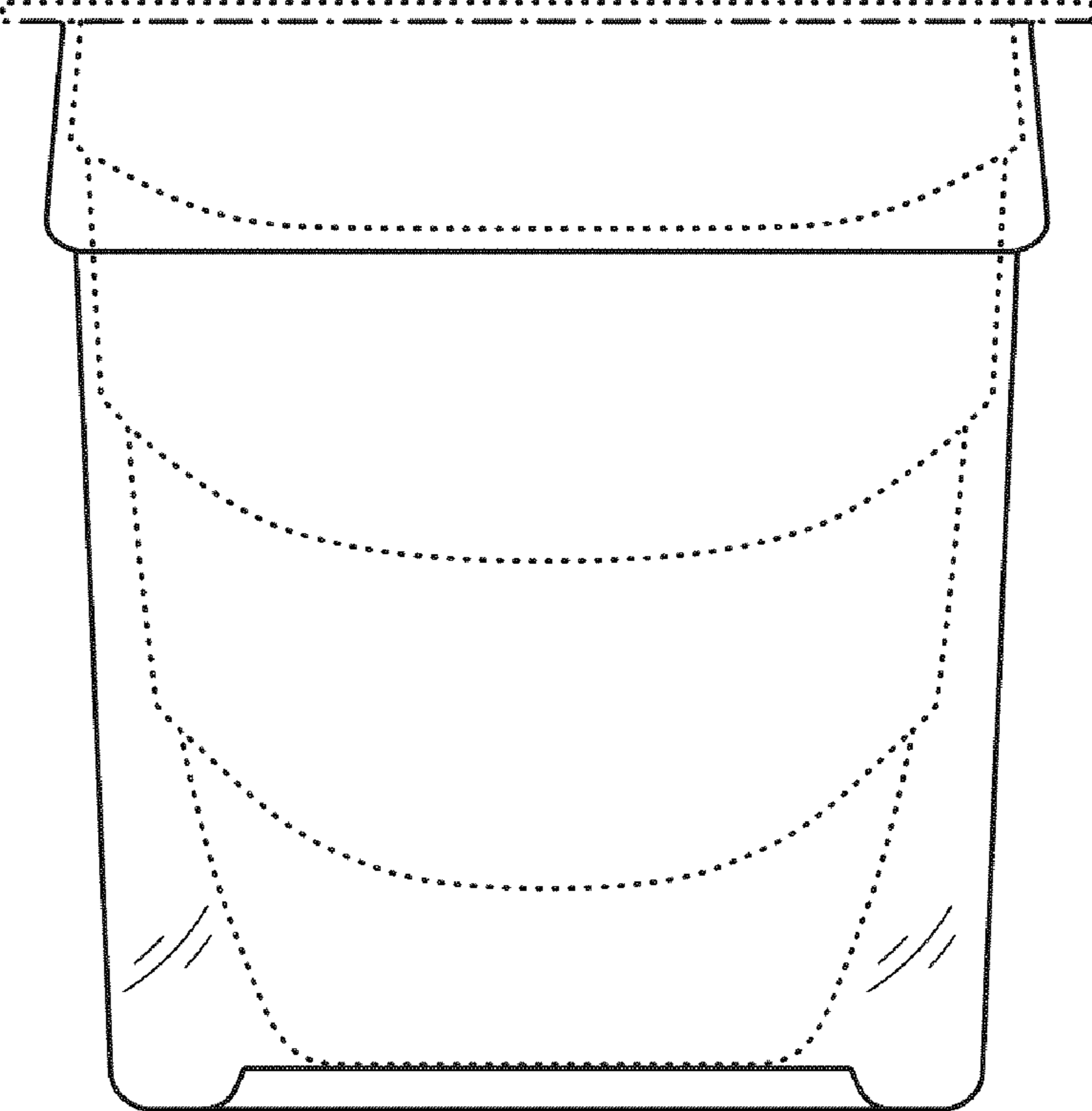


FIG. 3

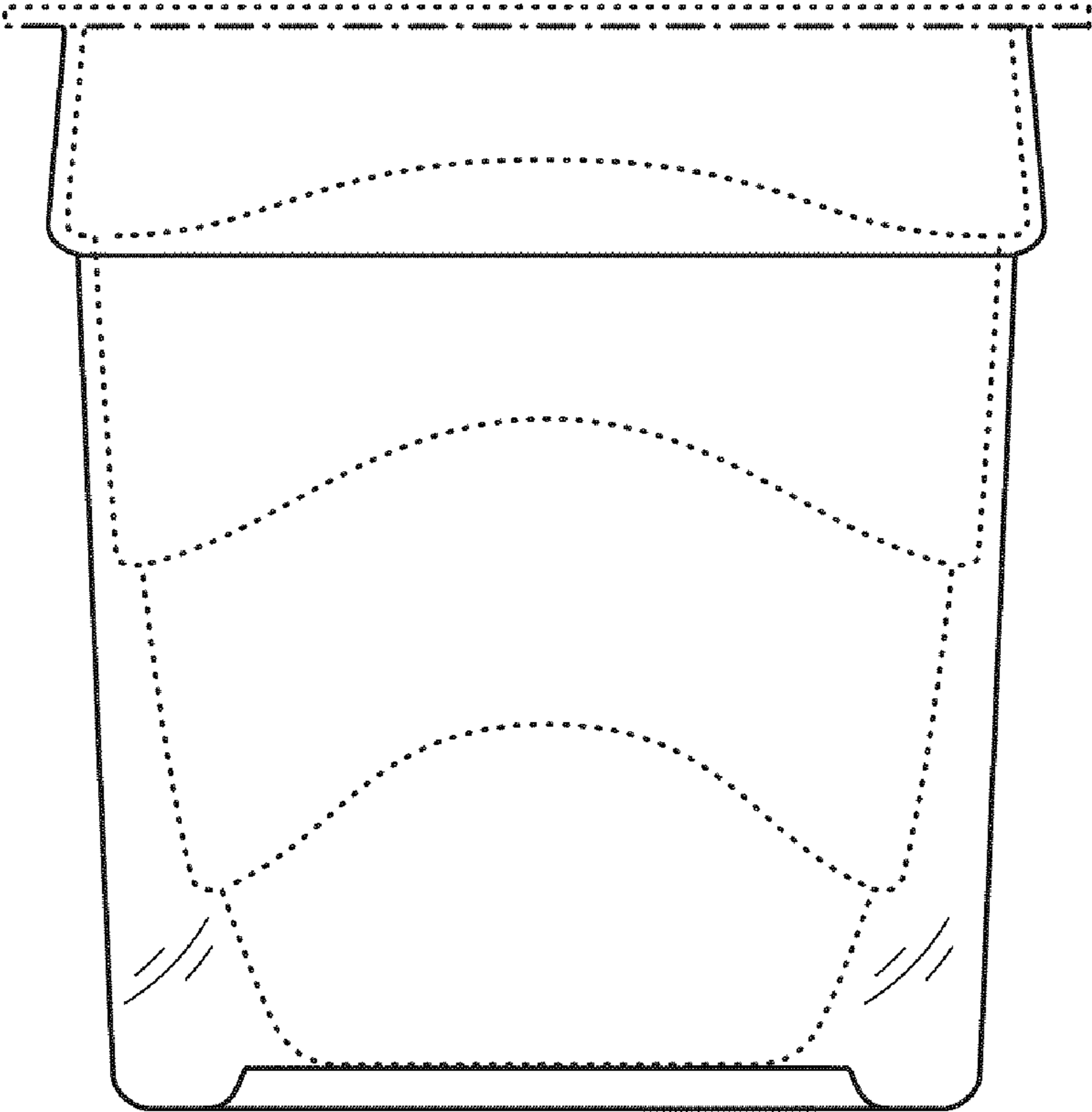


FIG. 4

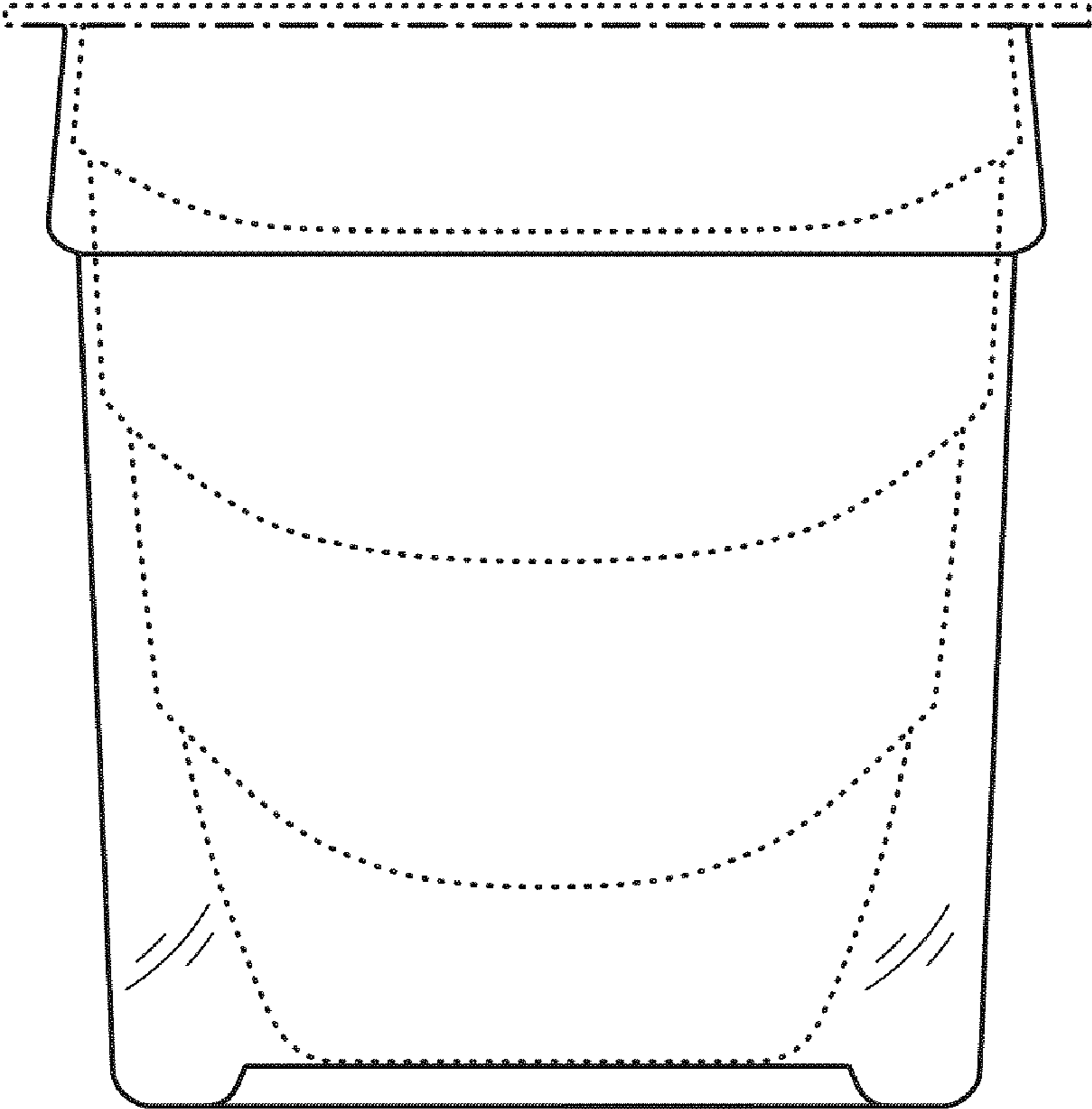


FIG. 5

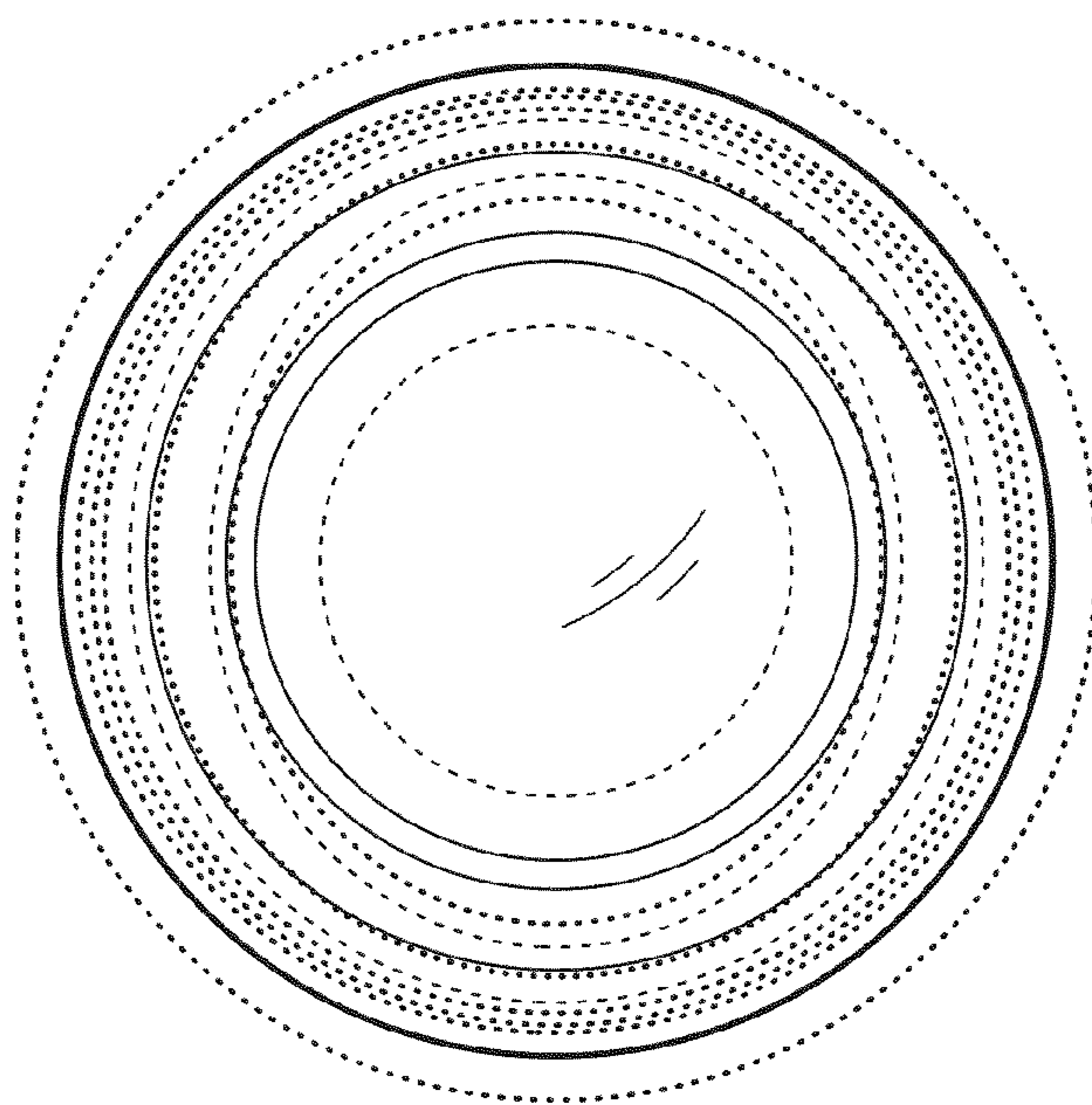


FIG. 6

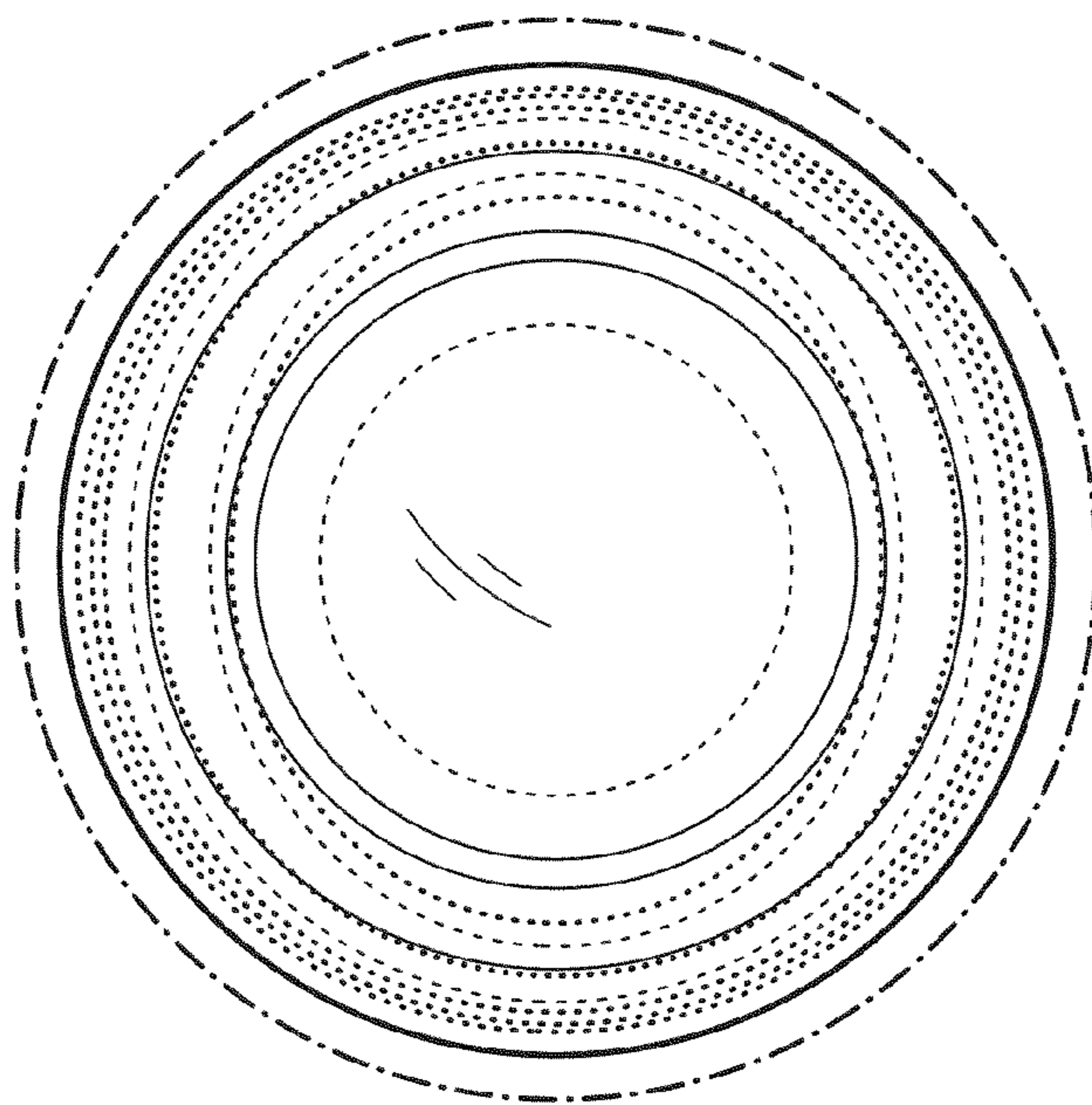


FIG. 7