



US00D656007S

(12) **United States Design Patent**
Swoish et al.

(10) **Patent No.:** **US D656,007 S**
(45) **Date of Patent:** **** Mar. 20, 2012**

(54) **CORNER PROTECTOR**

(75) Inventors: **Murray Swoish**, Caledonia, MI (US);
Robert J. Lawrence, Grand Rapids, MI (US)

(73) Assignee: **Aspen Surgical Products, Inc.**,
Caledonia, MI (US)

(**) Term: **14 Years**

(21) Appl. No.: **29/382,578**

(22) Filed: **Jan. 5, 2011**

(51) **LOC (9) Cl.** **08-09**

(52) **U.S. Cl.** **D8/403**

(58) **Field of Classification Search** D8/400-499;
D9/456; D34/19; D6/491, 439, 445; D3/318-319,
D3/294-298, 321, 323, 905; 52/287.1; 312/215,
312/271, 289, 290, 301, 328, 330.1, 332,
312/334.1, 348.4, 400, 334.7, 350, 351, 332.1,
312/334.44; 40/666, 661.03

See application file for complete search history.

(56) **References Cited**

U.S. PATENT DOCUMENTS

259,425 A	6/1882	Reiher	
450,349 A	4/1891	Arnold	
539,698 A	5/1895	Milligan	
601,831 A	4/1898	Hayden, Jr.	
1,599,653 A *	9/1926	Cranston	108/185
1,676,741 A *	7/1928	Moskowitz	281/20
D154,903 S	8/1949	Caldwell	
3,137,087 A	6/1964	Shroyer	
4,852,744 A	8/1989	Van Breemen	
4,993,546 A	2/1991	Southard	
5,131,104 A	7/1992	Larson	
5,165,539 A	11/1992	Weber et al.	
5,312,078 A	5/1994	Marsh	
D349,844 S *	8/1994	Jaremkof	D8/380
5,424,048 A	6/1995	Riley	
D361,846 S *	8/1995	Te'Kannon	D25/60

797,495 A	8/1995	Clark
5,549,868 A	8/1996	Carlson, II
5,680,929 A	10/1997	Von Seidel
5,766,561 A	6/1998	Frieze et al.
5,868,372 A	2/1999	Novak et al.
5,992,812 A	11/1999	Mark
6,003,169 A	12/1999	Davis, Jr.
6,036,155 A	3/2000	Tsui
6,044,601 A	4/2000	Chmela et al.
6,070,727 A	6/2000	Tindoll et al.
6,248,293 B1	6/2001	Davis et al.
6,257,540 B1	7/2001	Kresch
6,367,637 B1	4/2002	Davis et al.

(Continued)

FOREIGN PATENT DOCUMENTS

ES 2166229 A1 4/2002

(Continued)

Primary Examiner — Barbara Fox

(74) *Attorney, Agent, or Firm* — Price Heneveld LLP

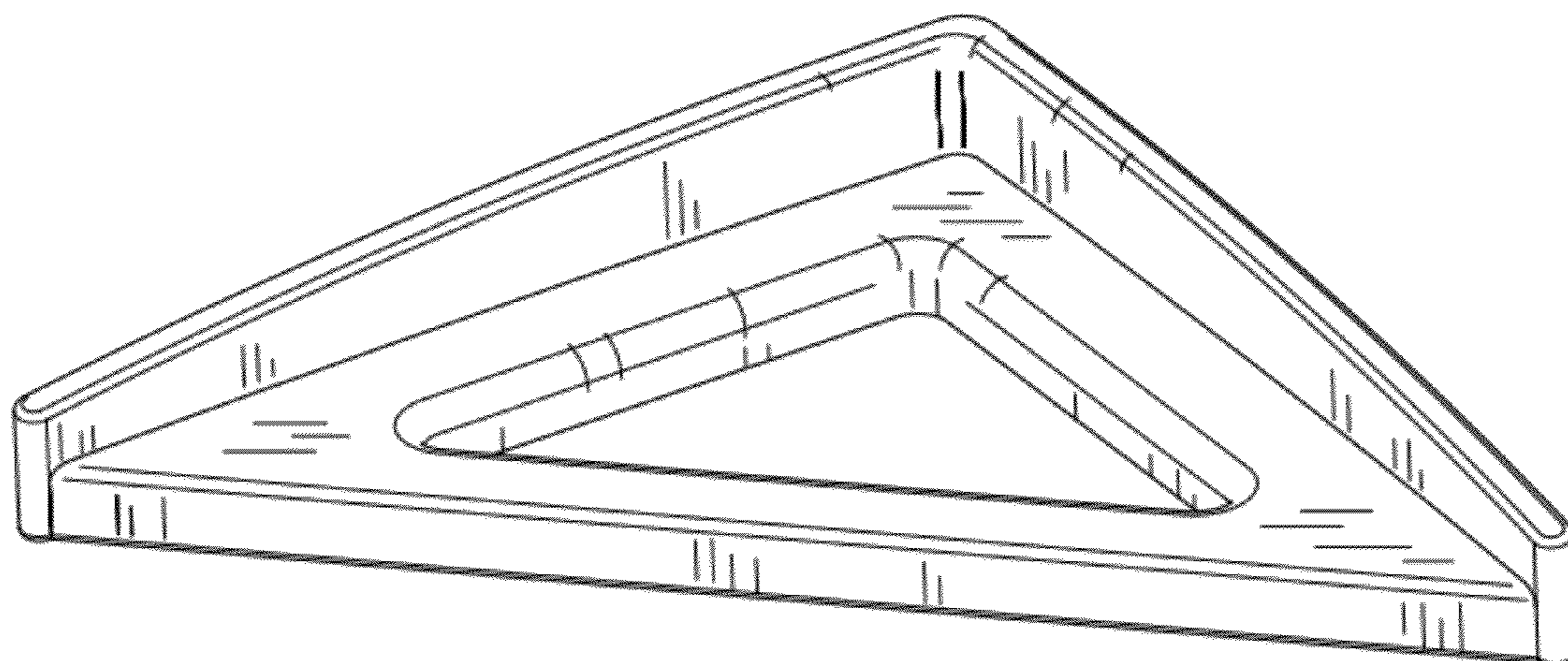
(57) **CLAIM**

We claim the ornamental design for the corner protector, as shown and described.

DESCRIPTION

FIG. 1 is a top perspective view of a corner protector of the present invention;
FIG. 2 is a front elevational view of a corner protector of the present invention;
FIG. 3 is a rear elevational view of a corner protector of the present invention;
FIG. 4 is a side elevational view of a corner protector of the present invention;
FIG. 5 is a top plan view of a corner protector of the present invention; and,
FIG. 6 is a bottom plan view of a corner protector of the present invention.

1 Claim, 2 Drawing Sheets



US D656,007 S

Page 2

U.S. PATENT DOCUMENTS

6,368,694 B1 4/2002 Marsh et al.
6,391,260 B1 5/2002 Davis et al.
6,440,375 B1 8/2002 Davis et al.
6,629,608 B2 10/2003 Hurley et al.
6,776,380 B1 8/2004 Kirk, Jr. et al.
D495,594 S * 9/2004 Gibson D8/381
6,902,712 B2 6/2005 Davis
6,915,912 B2 7/2005 Davis et al.
D537,337 S * 2/2007 Brockington et al. D8/499
D560,486 S * 1/2008 Ray et al. D8/403
7,413,157 B2 8/2008 Curnow et al.
7,422,185 B2 9/2008 Curnow et al.
7,780,136 B2 8/2010 Curnow et al.
D624,812 S 10/2010 Lavelle
D624,813 S * 10/2010 Lavelle D8/403
2003/0038054 A1 2/2003 Hurley et al.
2005/0244316 A1 11/2005 Davis
2006/0243636 A1 11/2006 Robichaud et al.

2008/0253947 A2 10/2008 David
2009/0000982 A1 1/2009 Curnow et al.
2009/0250367 A1* 10/2009 Murdoch et al. 206/453

FOREIGN PATENT DOCUMENTS

FR 2836894 A1 9/2003
JP 03173109 7/1991
JP 05171816 7/1993
JP 07330011 12/1995
JP 08184168 7/1996
JP 09290857 11/1997
JP 11105916 4/1999
JP 11350658 12/1999
JP 2001102767 A 4/2001
JP 2002061384 A 2/2002
JP 2003206603 A 7/2003
JP 2004323037 A 11/2004
WO 2007019233 A2 2/2007

* cited by examiner

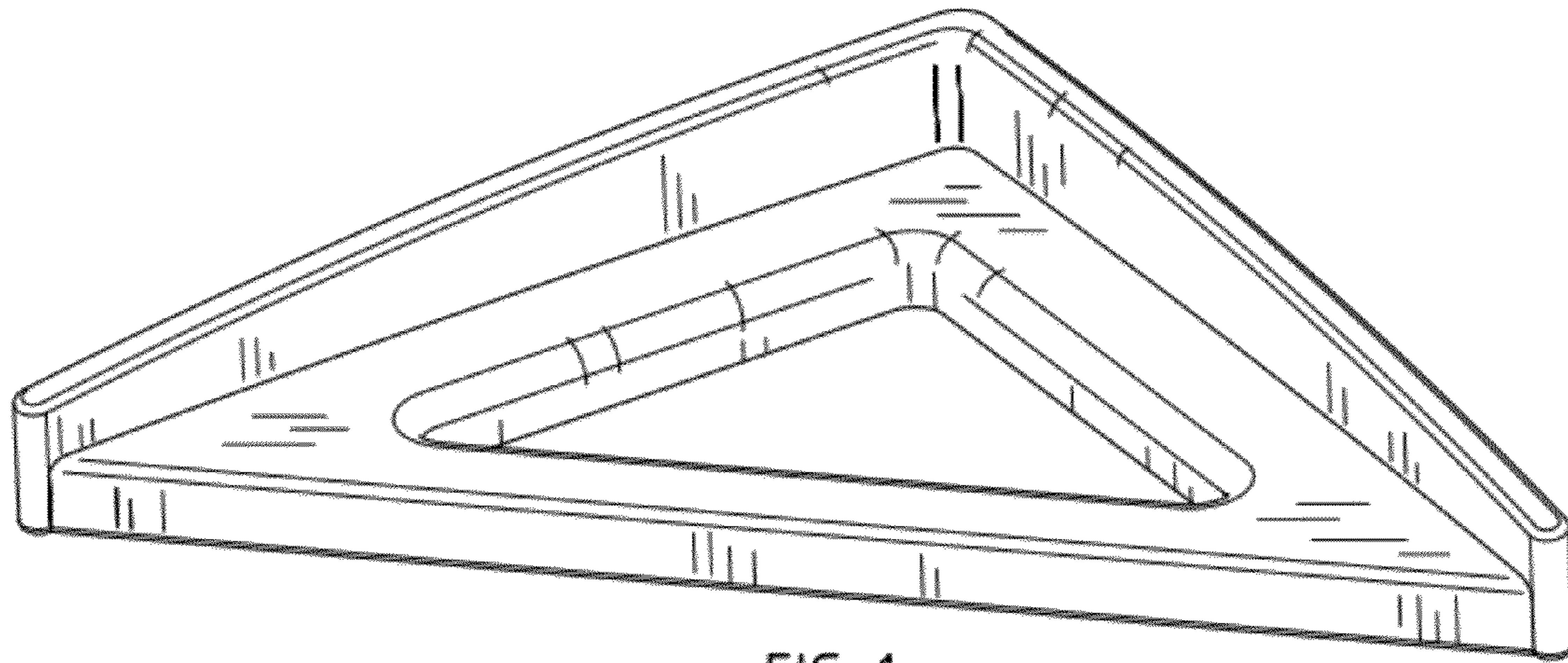


FIG. 1

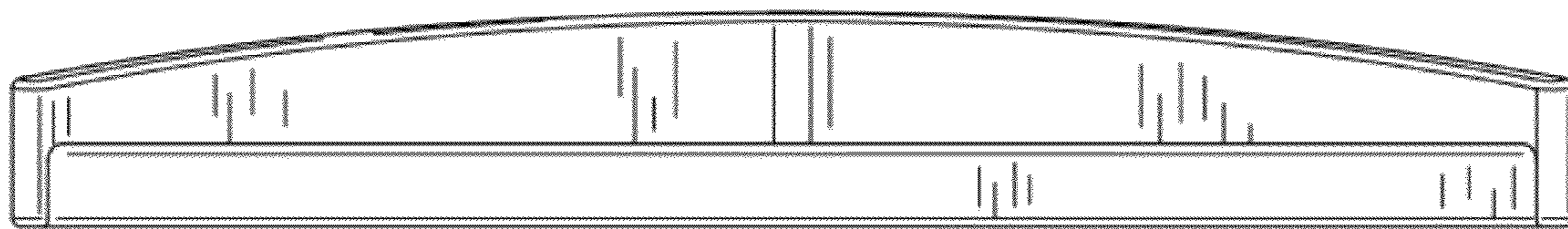


FIG. 2

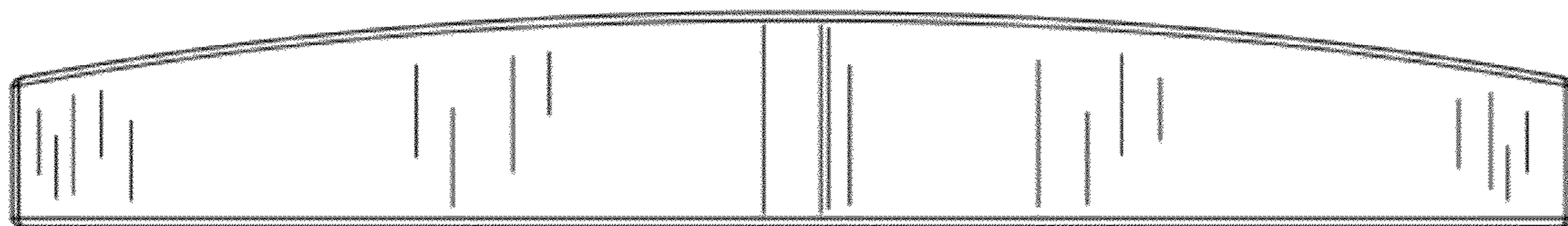


FIG. 3

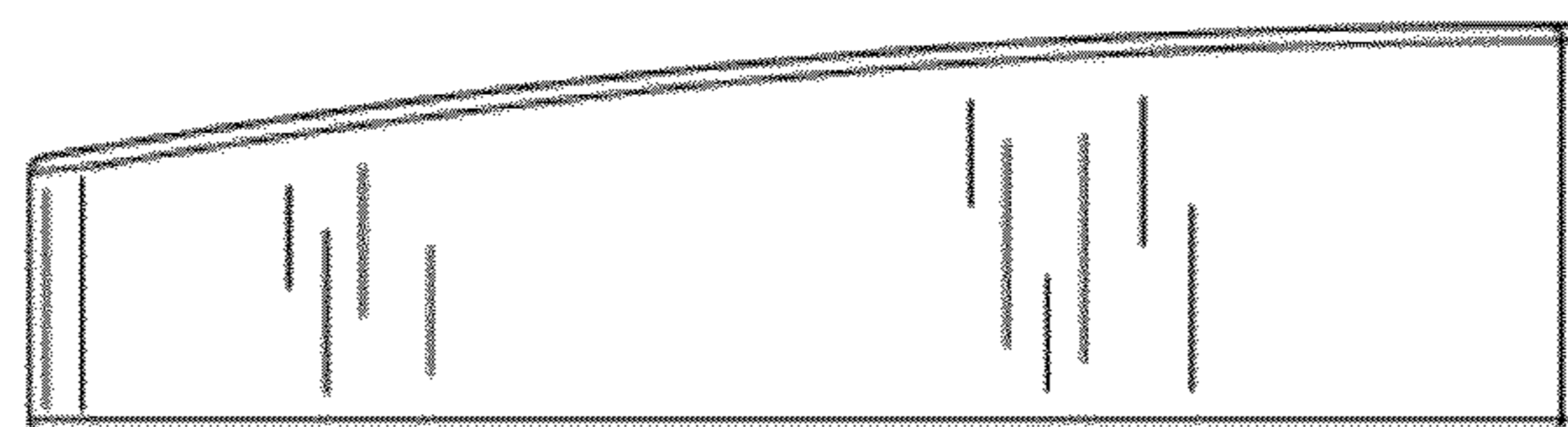


FIG. 4

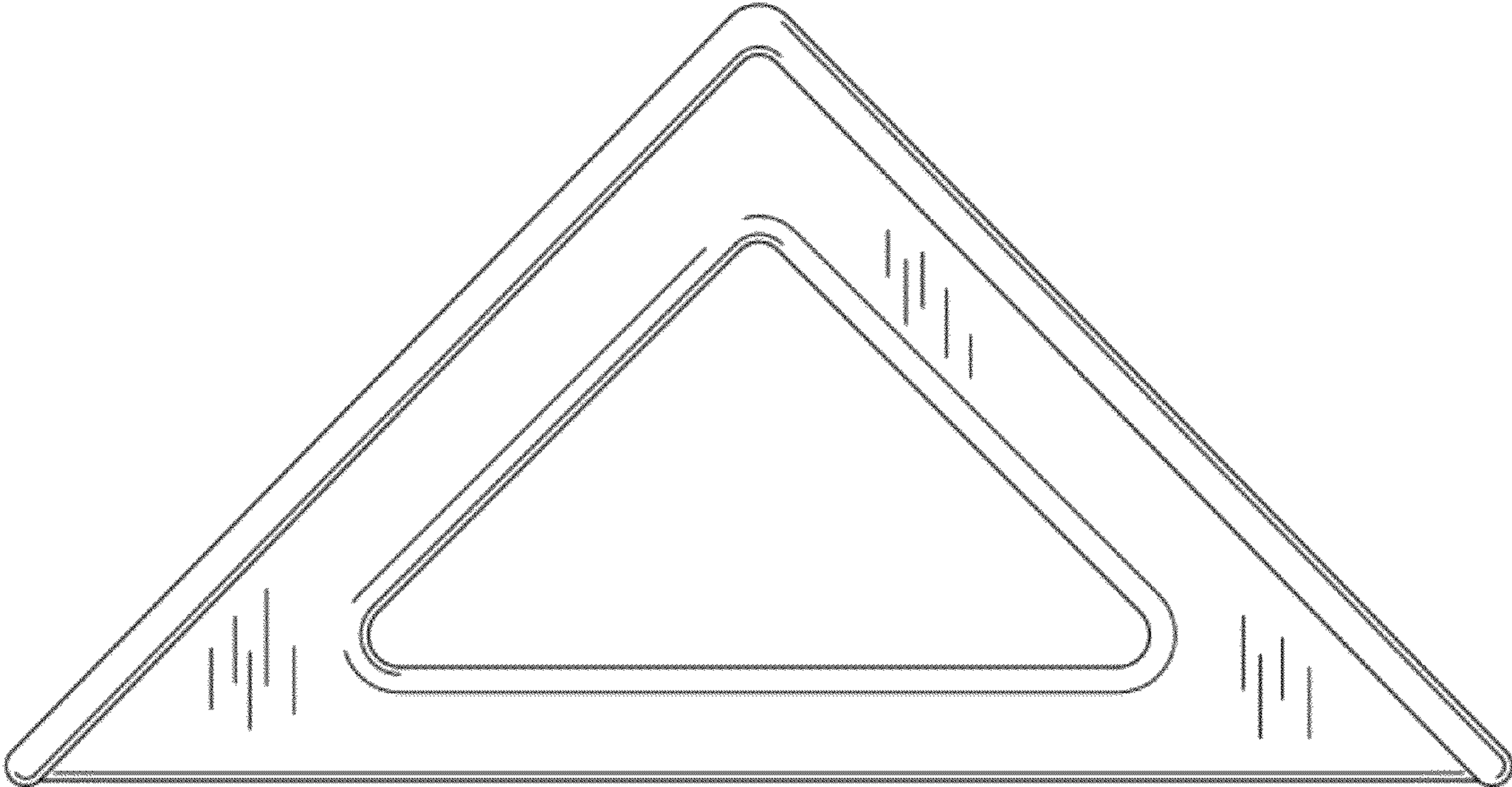


FIG. 5

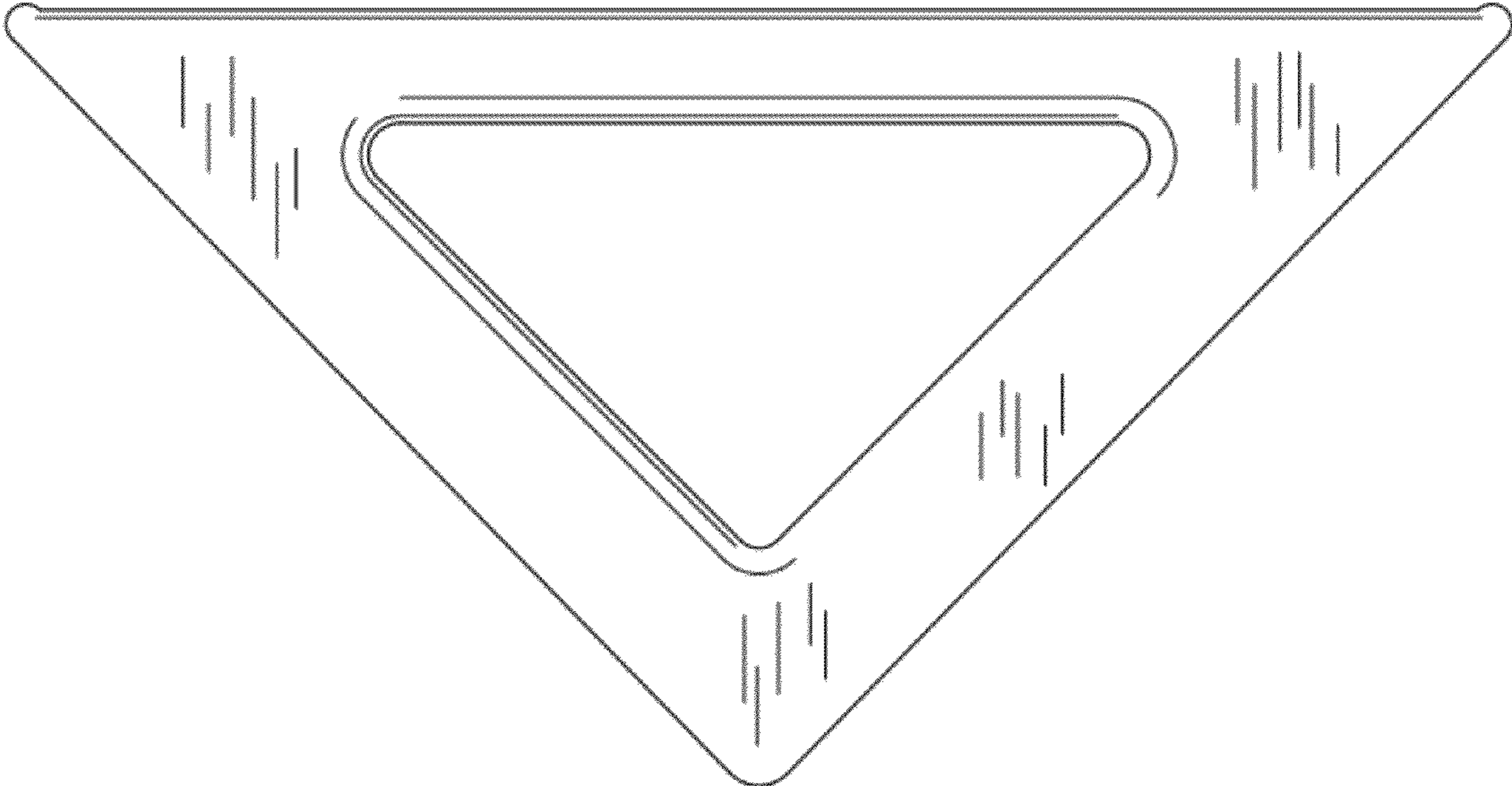


FIG. 6