



US00D656005S

(12) **United States Design Patent**  
**Affonso**

(10) **Patent No.:** **US D656,005 S**  
(45) **Date of Patent:** **\*\* Mar. 20, 2012**

- (54) **DRAPERY ROD ASSEMBLY**
- (75) Inventor: **Mauricio Affonso**, Toronto (CA)
- (73) Assignee: **Umbra LLC**, Buffalo, NY (US)
- (\*\*) Term: **14 Years**
- (21) Appl. No.: **29/381,885**
- (22) Filed: **Dec. 23, 2010**
- (51) **LOC (9) Cl.** ..... **08-05**
- (52) **U.S. Cl.** ..... **D8/380**
- (58) **Field of Classification Search** ..... D8/40,  
D8/349, 353, 354, 355, 363, 366, 373, 380,  
D8/394; D14/230, 447, 452, 457; 248/65,  
248/68, 72, 74.1-74.4, 75, 276.1, 278.1,  
248/286.1, 289.11, 917-924; 312/223.2;  
361/681-683, 825

See application file for complete search history.

(56) **References Cited**

U.S. PATENT DOCUMENTS

- 5,706,878 A \* 1/1998 Guettler ..... 160/369
- D494,596 S \* 8/2004 Pfister ..... D14/451
- D538,634 S \* 3/2007 King ..... D8/380

(Continued)

*Primary Examiner* — Susan Bennett Hattan  
*Assistant Examiner* — Barbara B Lohr  
(74) *Attorney, Agent, or Firm* — Simpson & Simpson, PLLC

(57) **CLAIM**

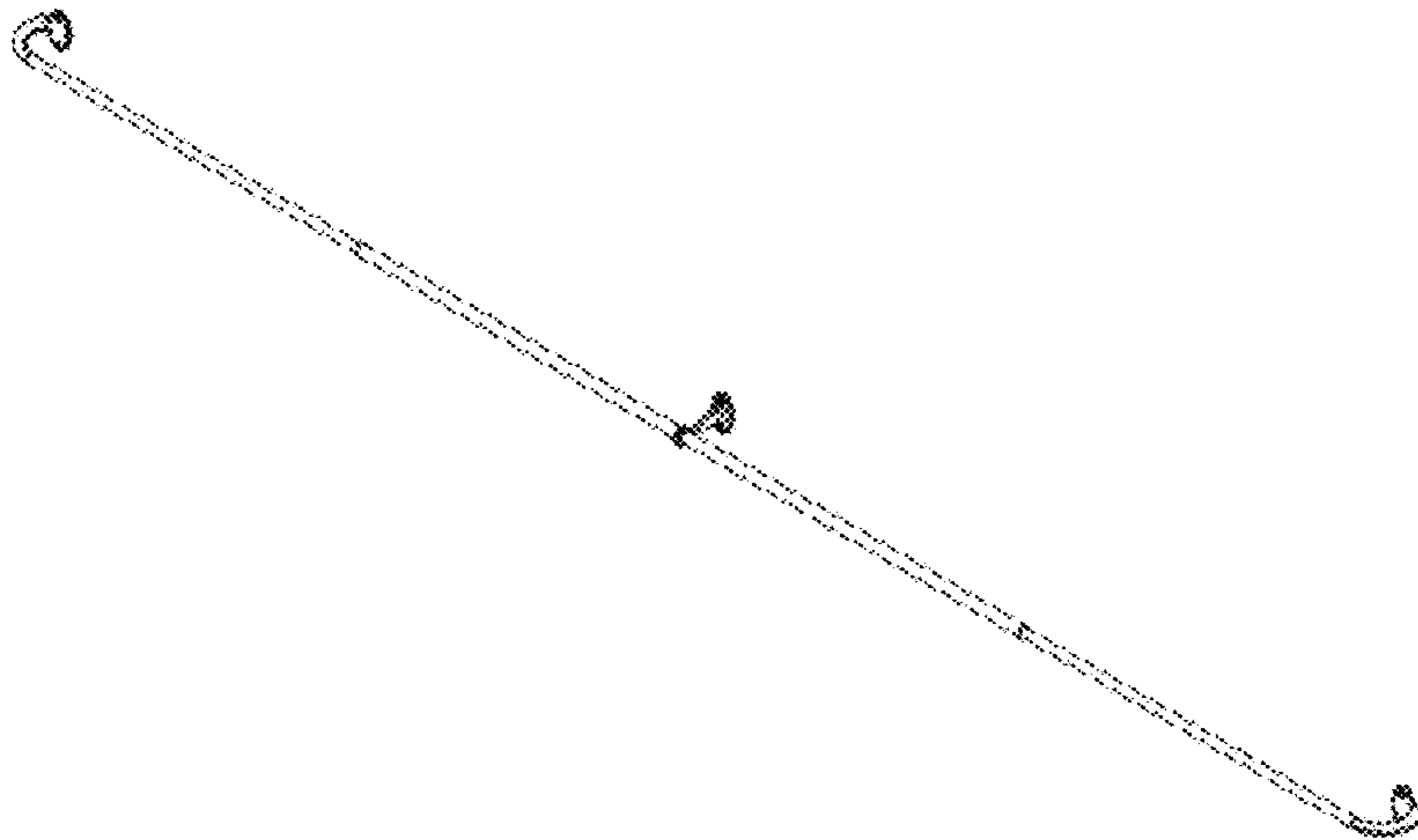
The ornamental design for a drapery rod assembly, as shown and described herein.

**DESCRIPTION**

FIG. 1 is a top perspective view of the present invention drapery rod assembly;  
FIG. 2 is a top perspective view of a left bracket of the present invention;

FIG. 3 is a top perspective view of a right bracket of the present invention;  
FIG. 4 is a top perspective view of a support bracket of the present invention;  
FIG. 5 is a right side elevational view of the right bracket of the present invention;  
FIG. 6 is a left side elevational view of the right bracket of the present invention;  
FIG. 7 is a right side elevational view of the left bracket of the present invention;  
FIG. 8 is a left side elevational view of the left bracket of the present invention;  
FIG. 9 is a right side elevational view of the support bracket of the present invention;  
FIG. 10 is a left side elevational view of the support bracket of the present invention;  
FIG. 11 is a top plan view of the left bracket of the present invention;  
FIG. 12 is a top plan view of the right bracket of the present invention;  
FIG. 13 is a bottom plan view of the left bracket of the present invention;  
FIG. 14 is a bottom plan view of the right bracket of the present invention;  
FIG. 15 is a top plan view of the support bracket of the present invention;  
FIG. 16 is a bottom plan view of the support bracket of the present invention;  
FIG. 17 is a front elevational view of the left bracket of the present invention;  
FIG. 18 is a rear elevational view of the right bracket of the present invention;  
FIG. 19 is a rear elevational view of the left bracket of the present invention;  
FIG. 20 is a front elevational view of the right bracket of the present invention;  
FIG. 21 is a rear elevational view of the support bracket of the present invention; and,  
FIG. 22 is a front elevational view of the support bracket of the present invention.  
The broken lines in the drawing depict environmental subject matter only and form no part of the claimed design.

**1 Claim, 4 Drawing Sheets**



# US D656,005 S

Page 2

---

## U.S. PATENT DOCUMENTS

D553,966 S	*	10/2007	Triay	.....	D8/380	
D596,018 S	*	7/2009	Lisowski	.....	D8/380	
						* cited by examiner
D629,677 S	*	12/2010	Sochko	.....	D8/380	
D639,150 S	*	6/2011	Olson et al.	.....	D8/380	

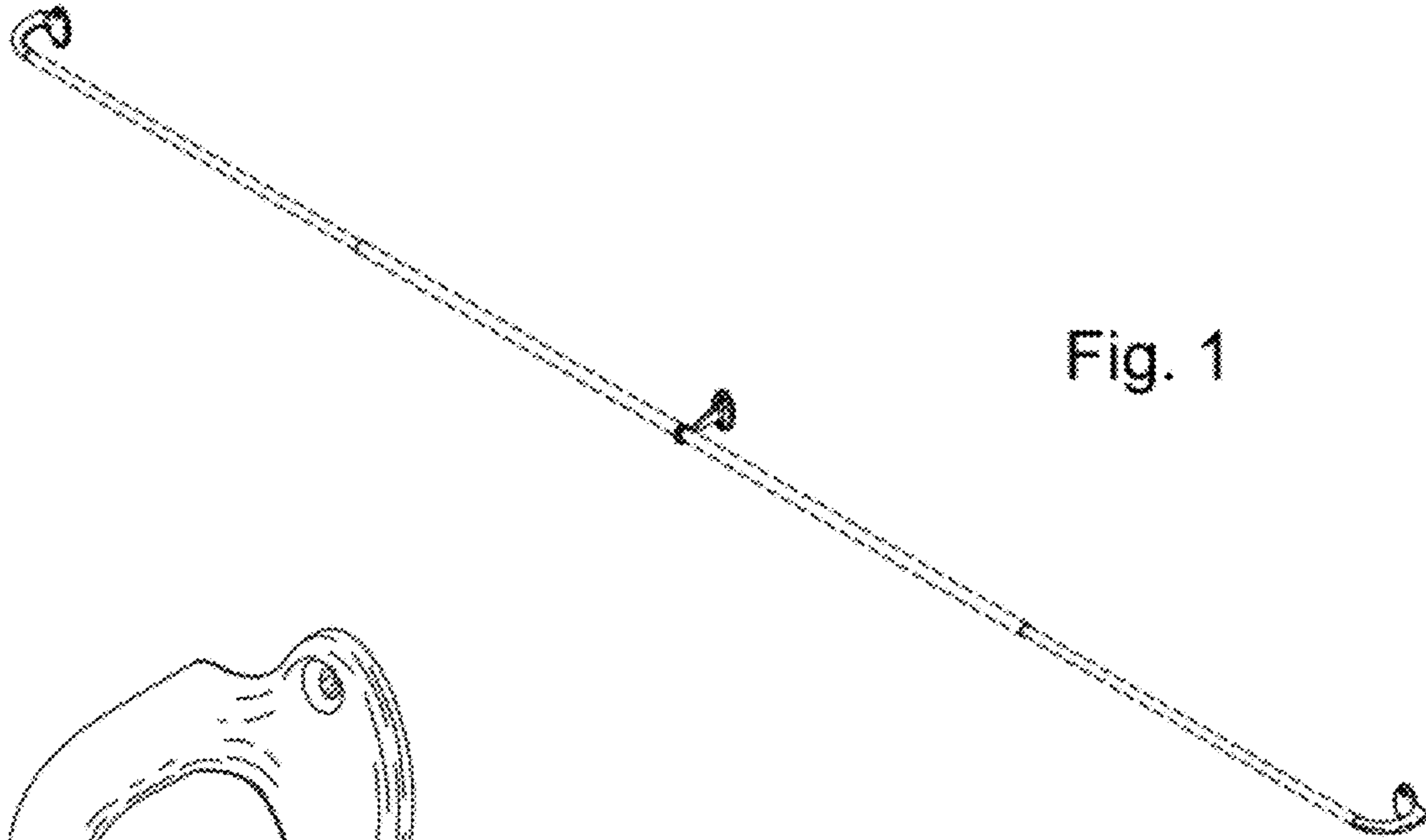


Fig. 1

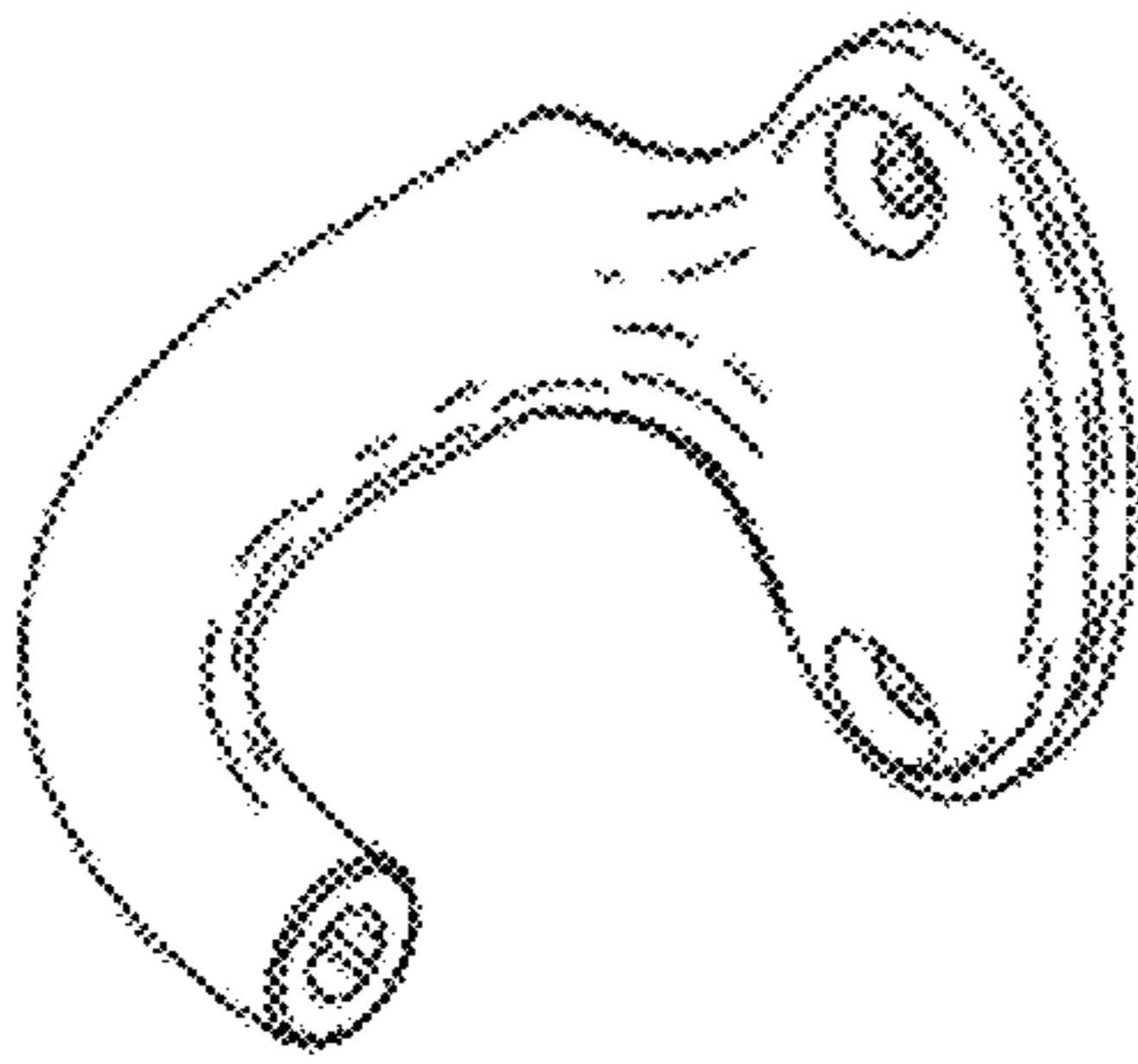


Fig. 2

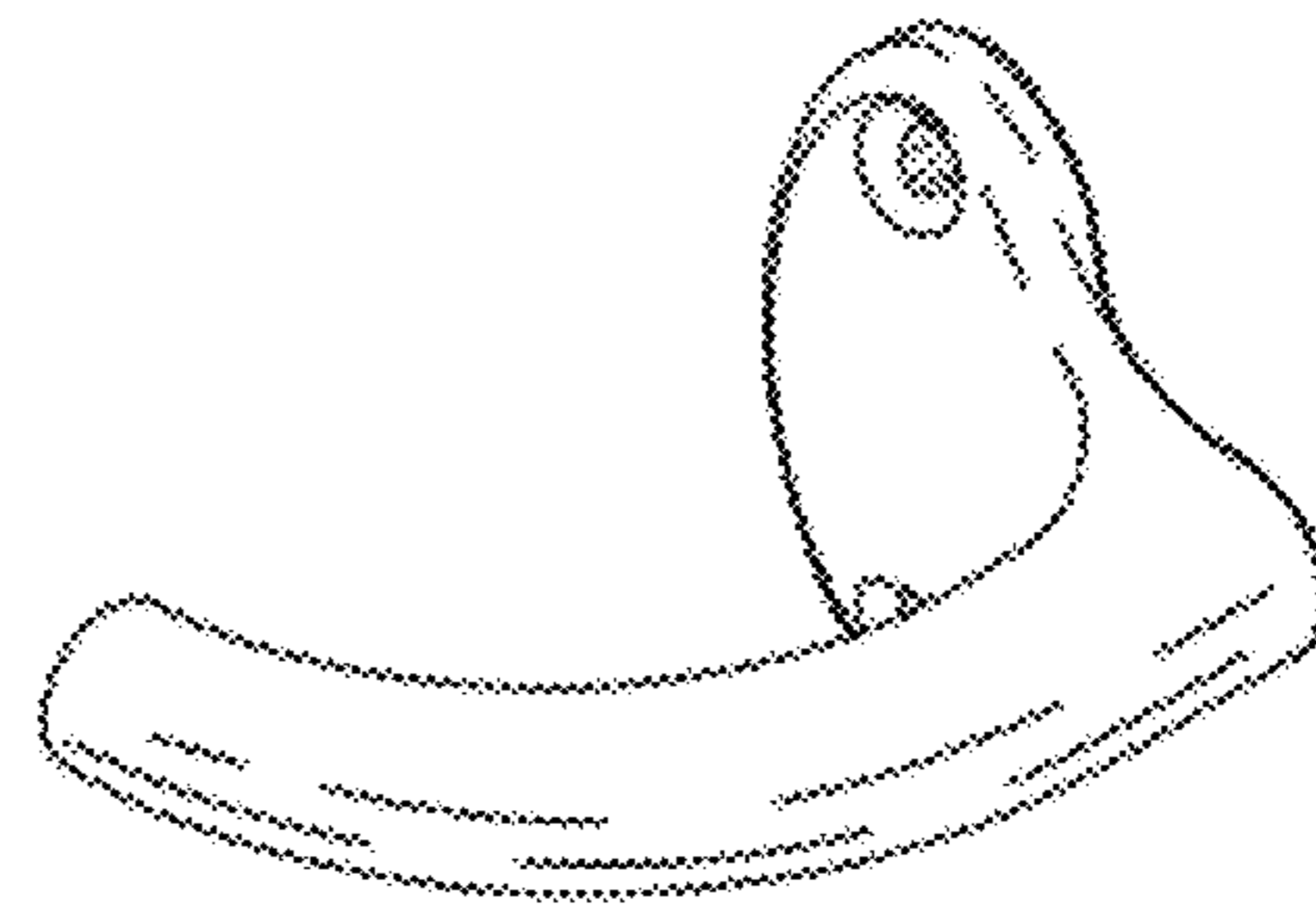


Fig. 3

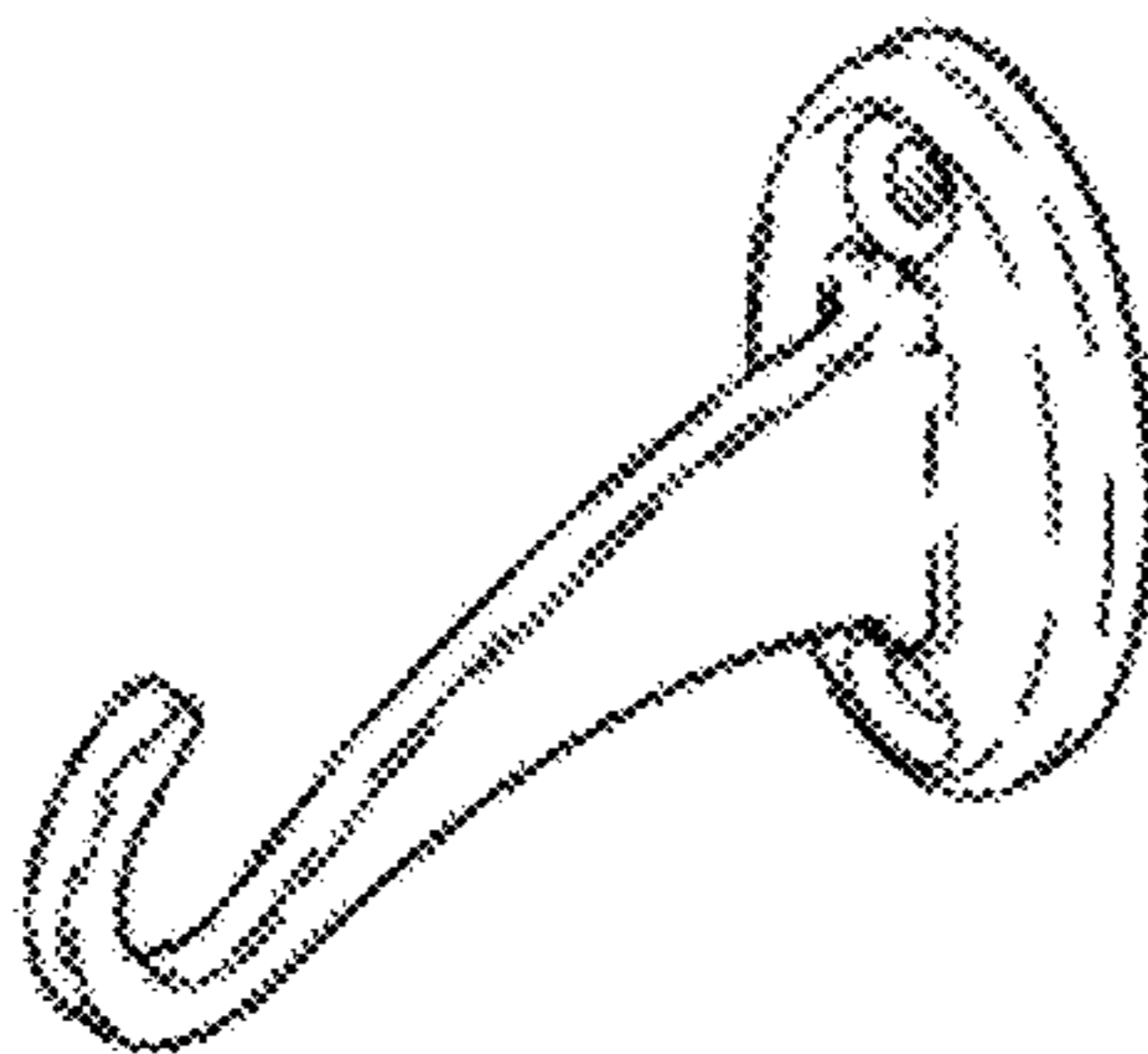


Fig. 4

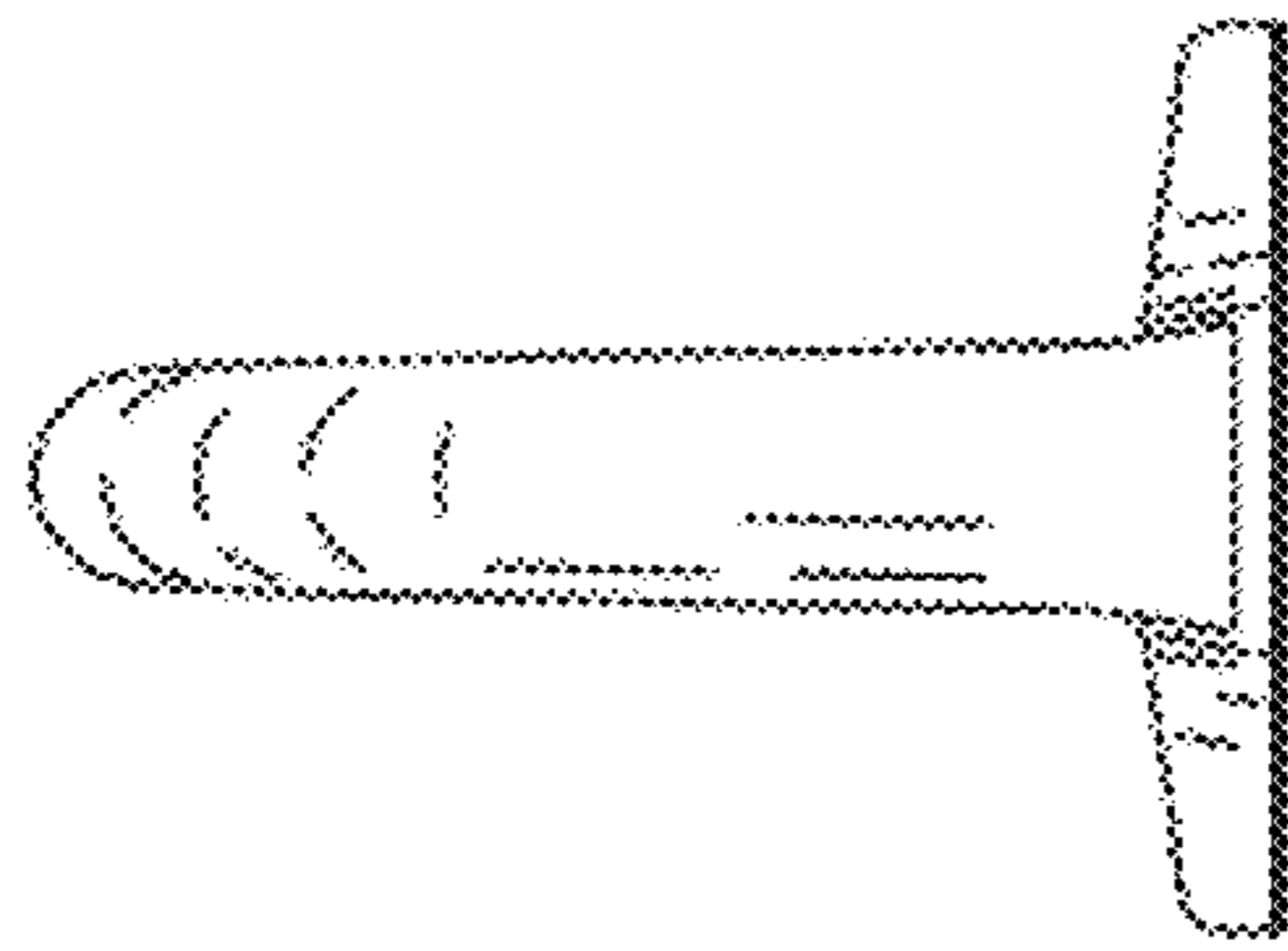


Fig. 5

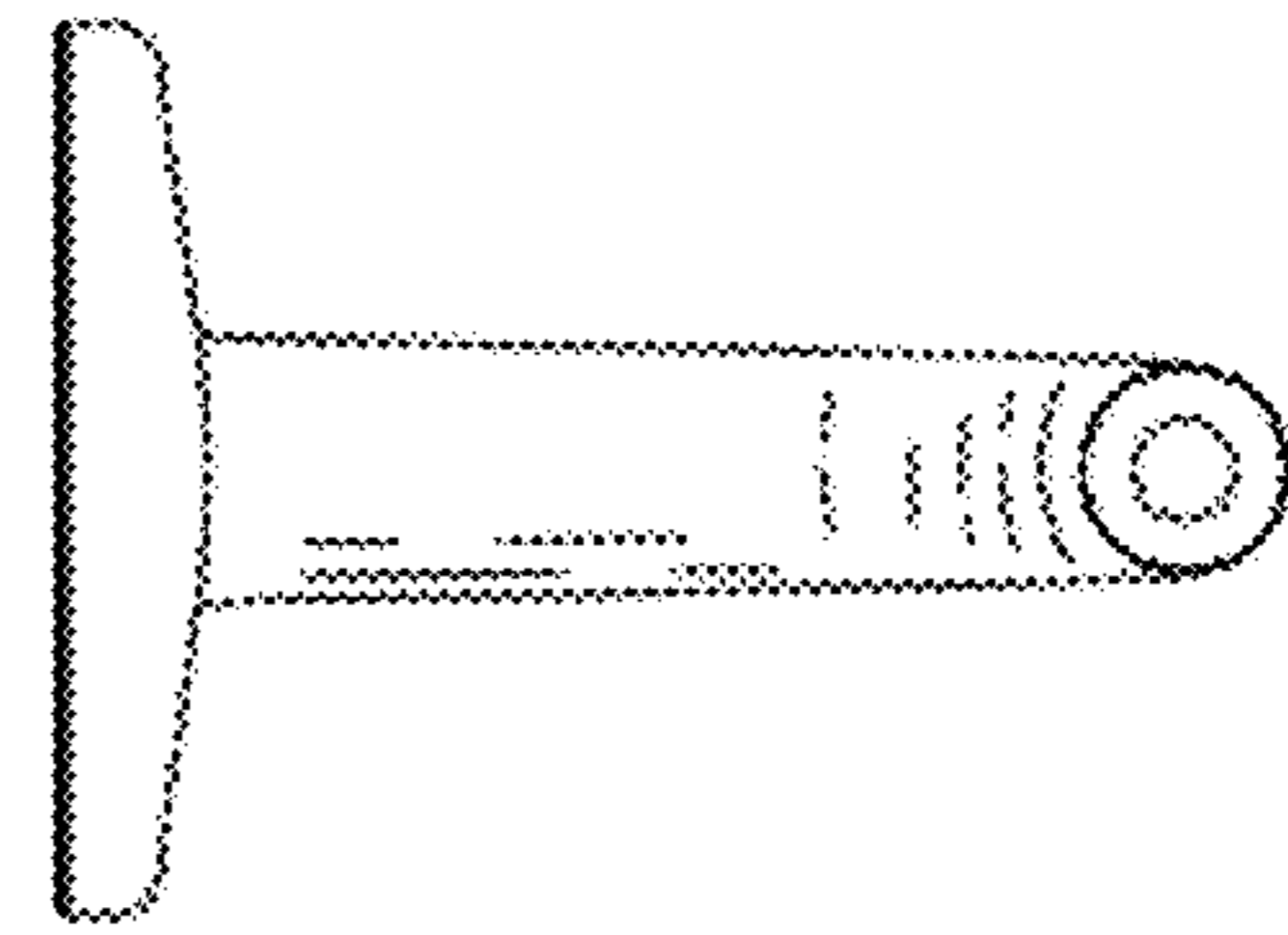


Fig. 6

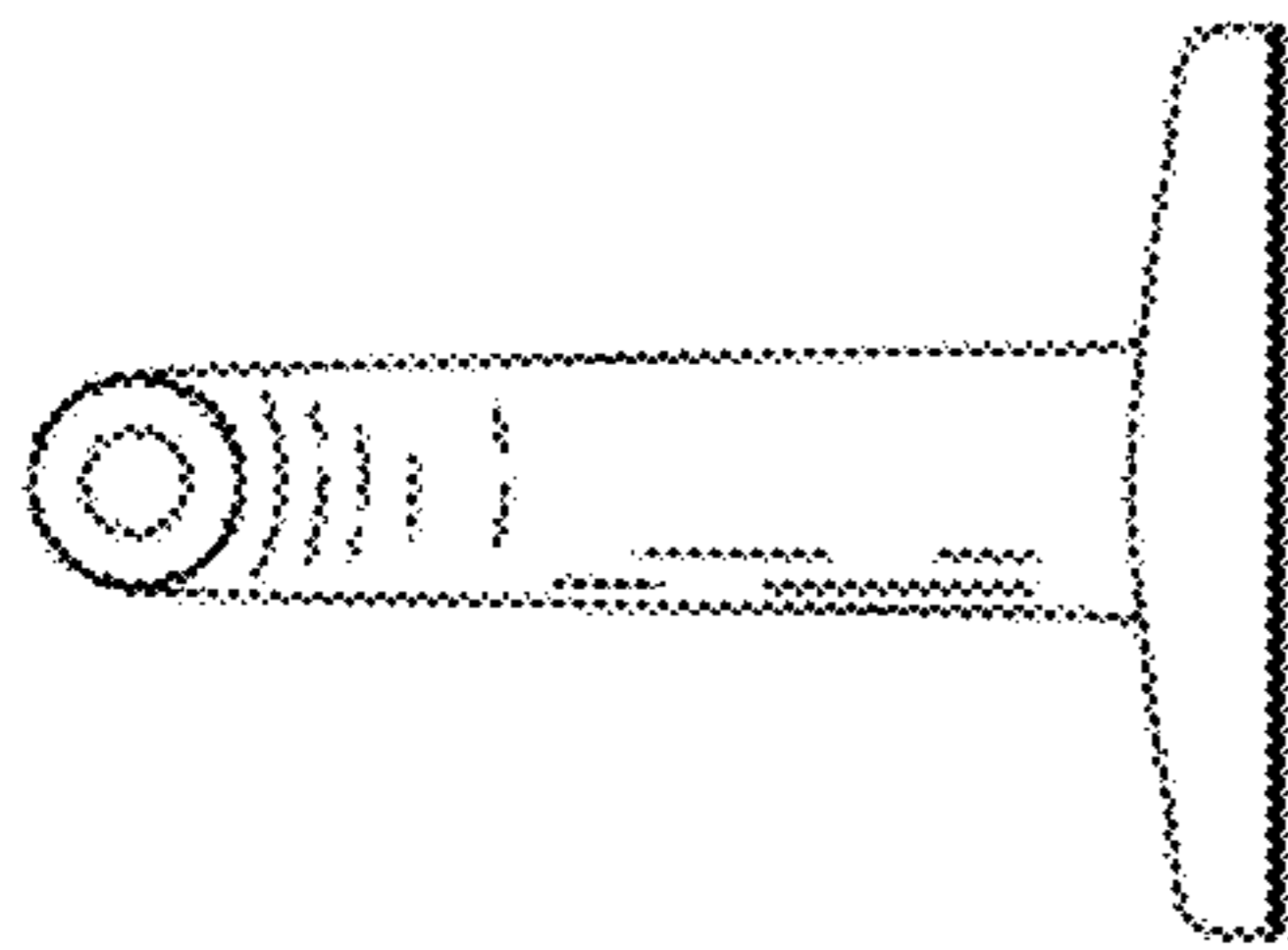


Fig. 7

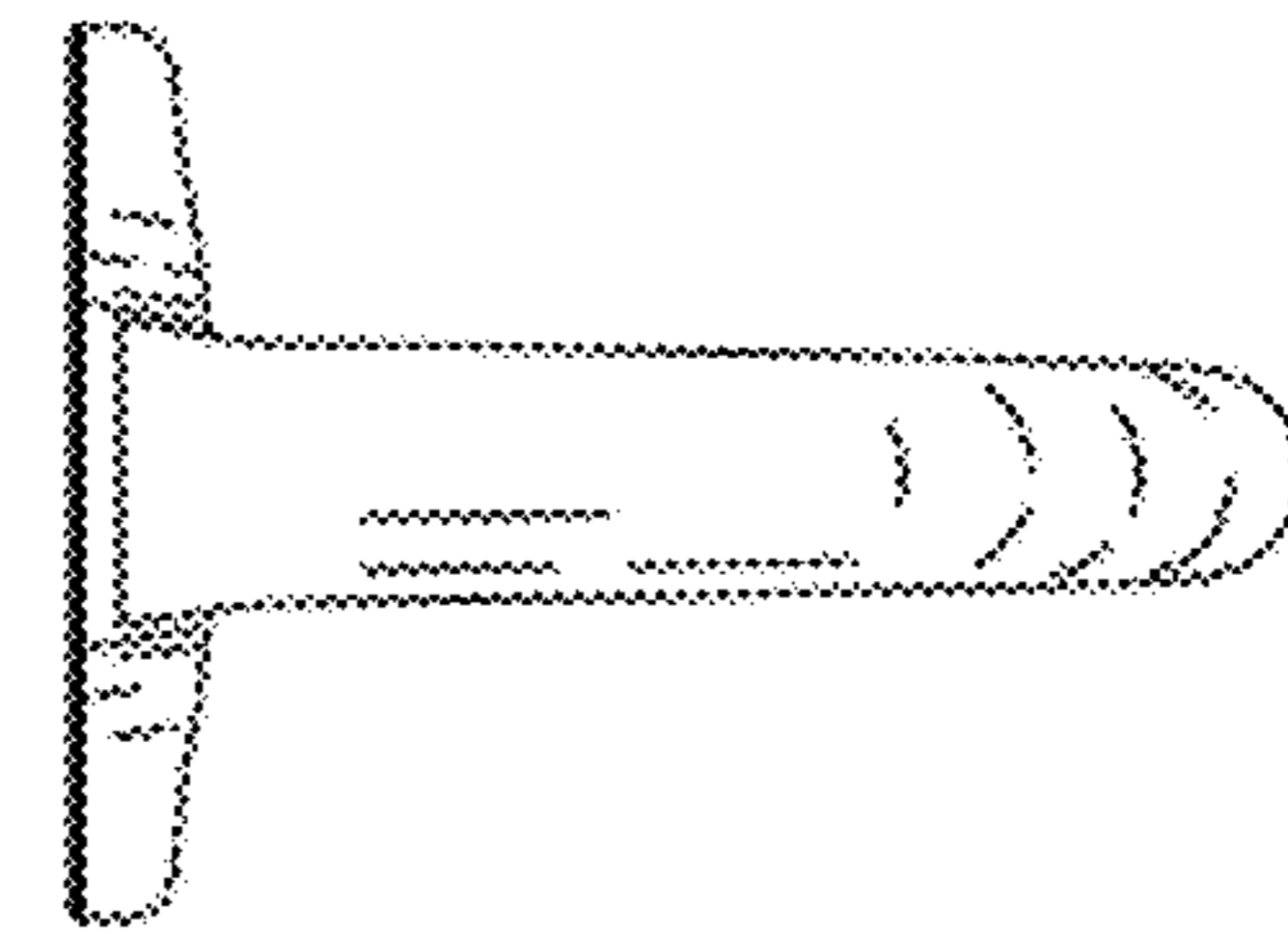


Fig. 8

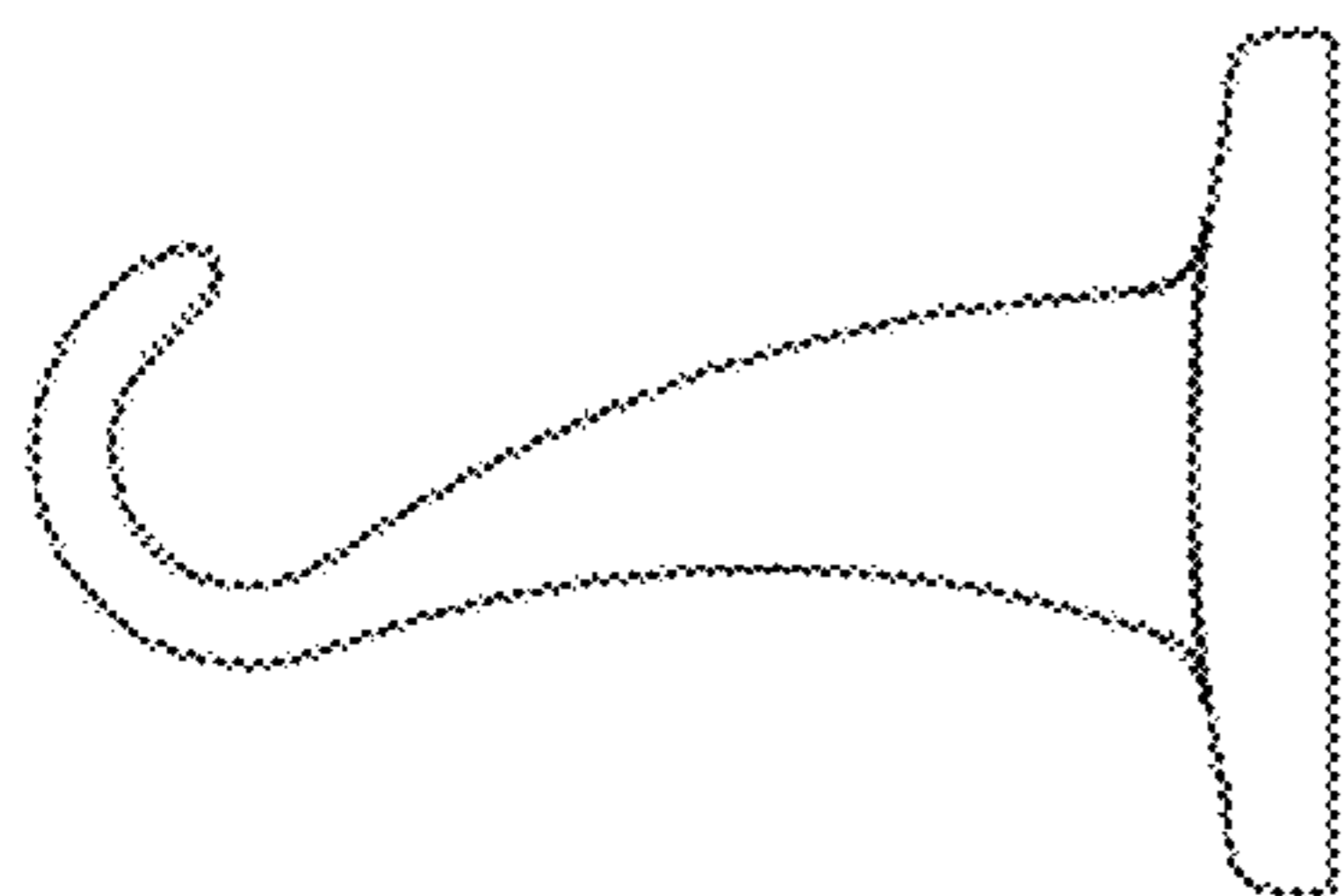


Fig. 9

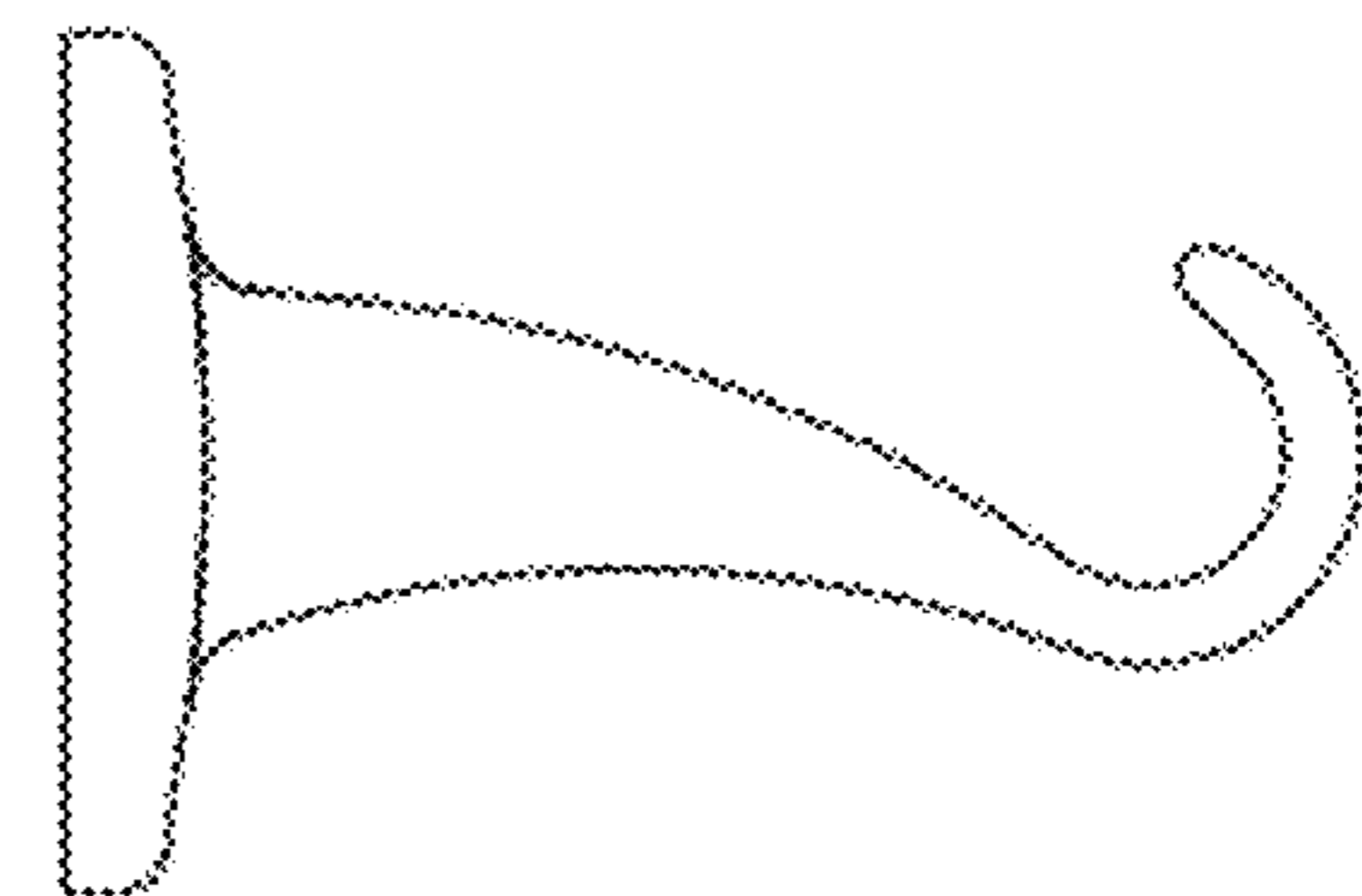


Fig. 10

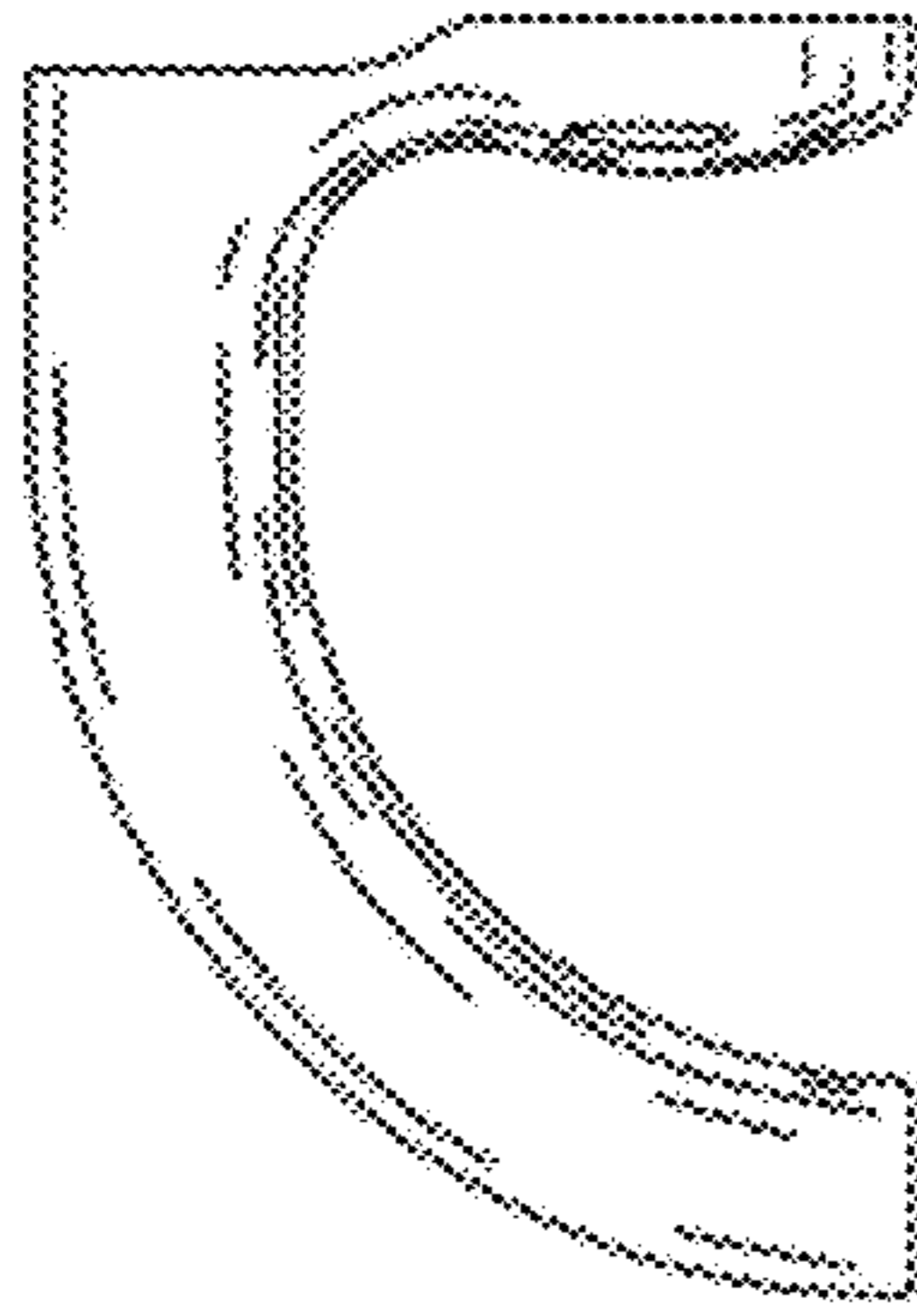


Fig. 11

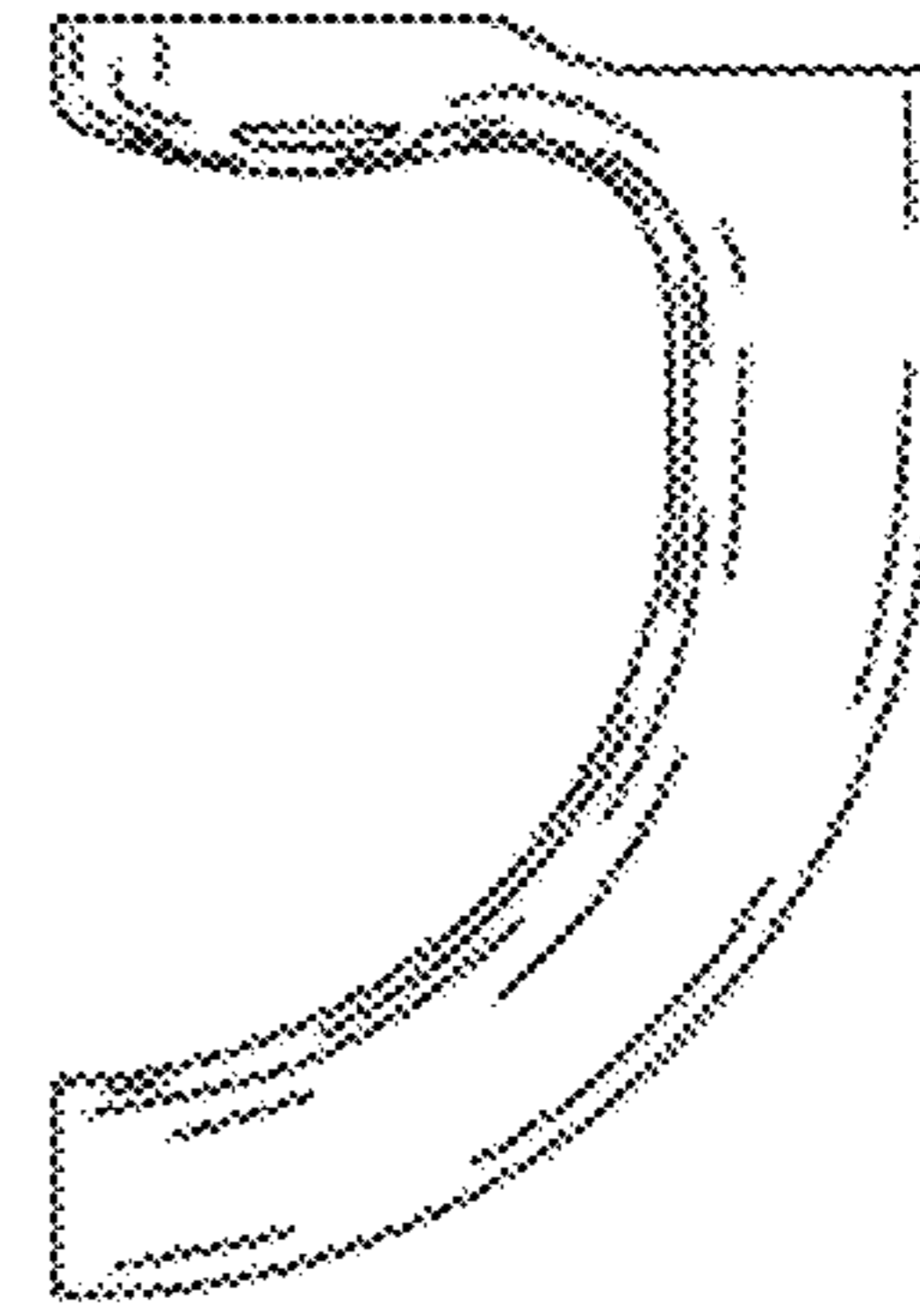


Fig. 12

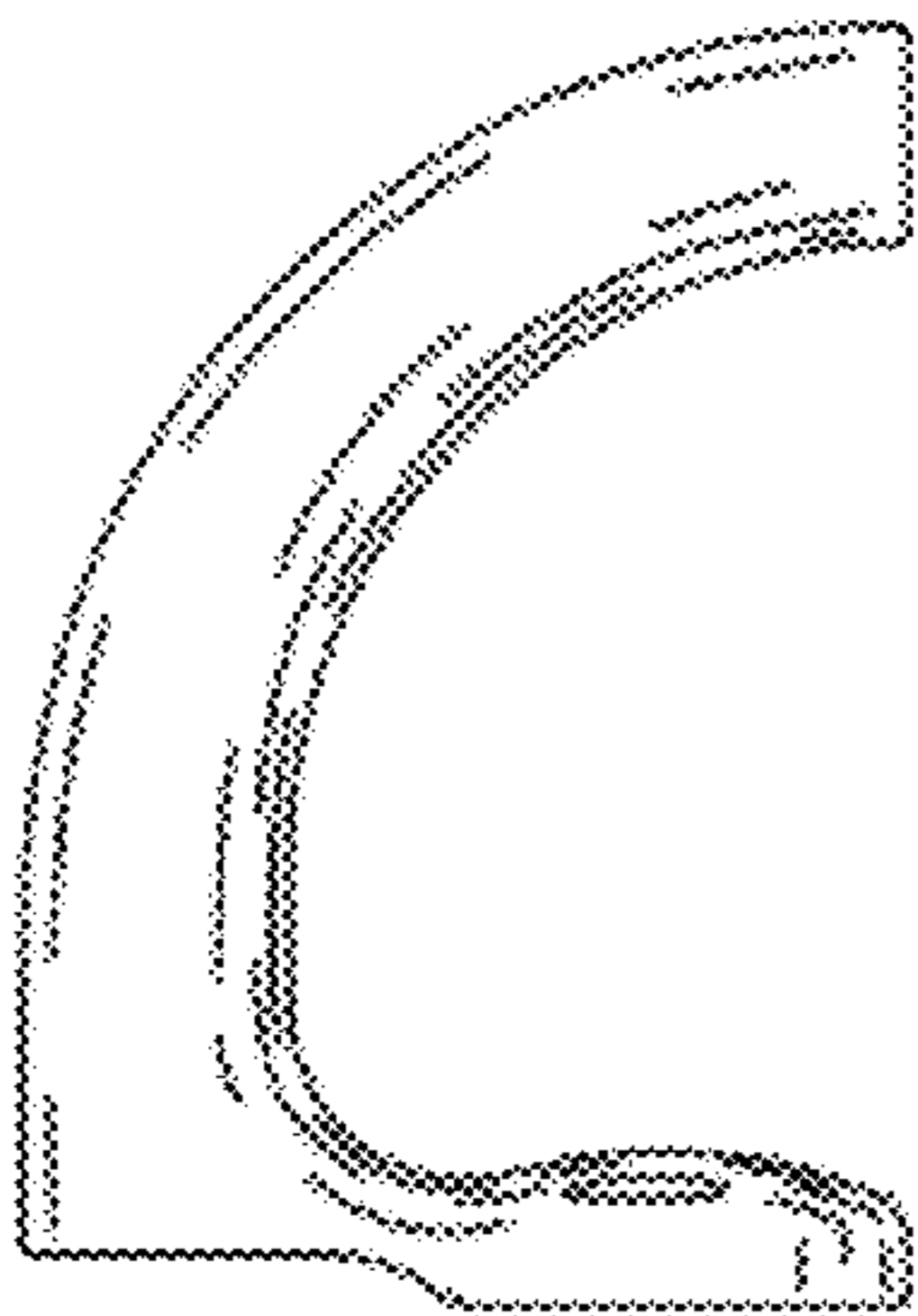


Fig. 13

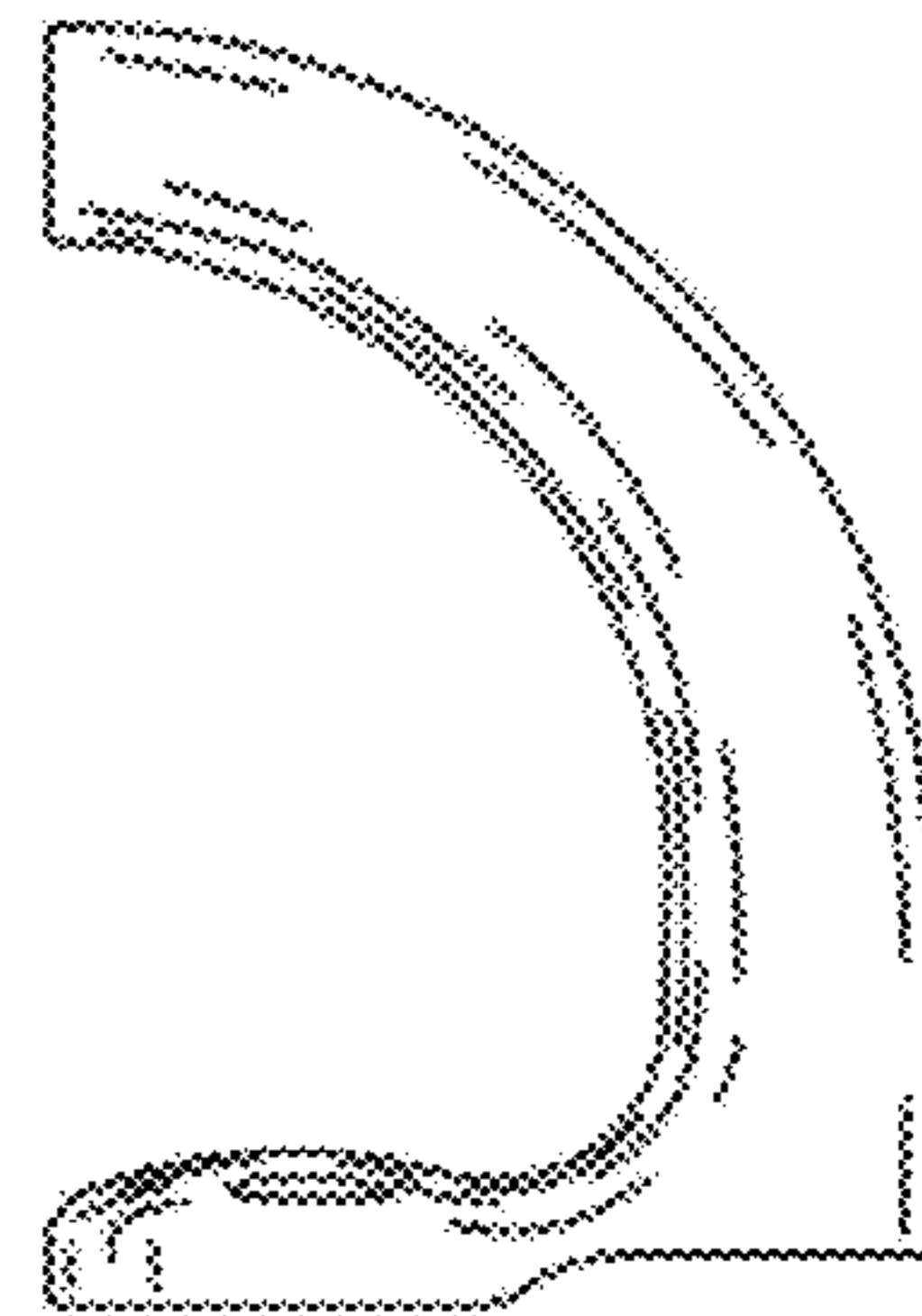


Fig. 14

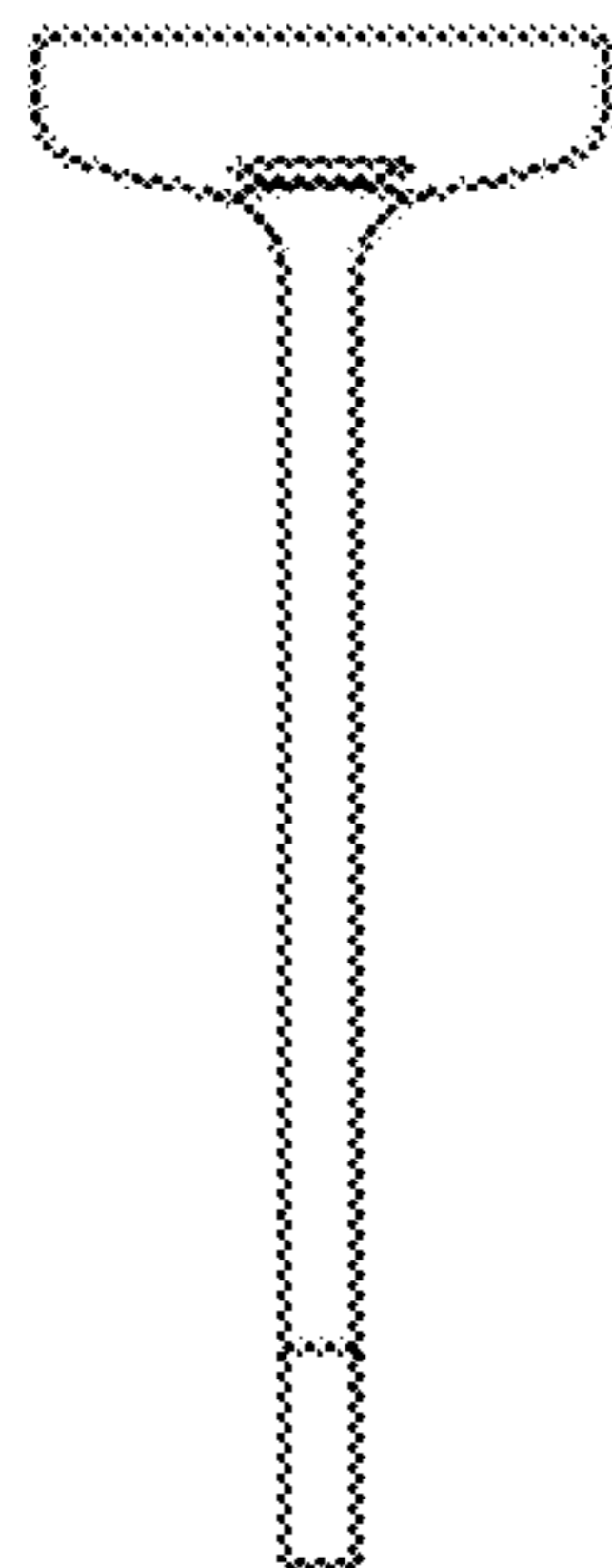


Fig. 15

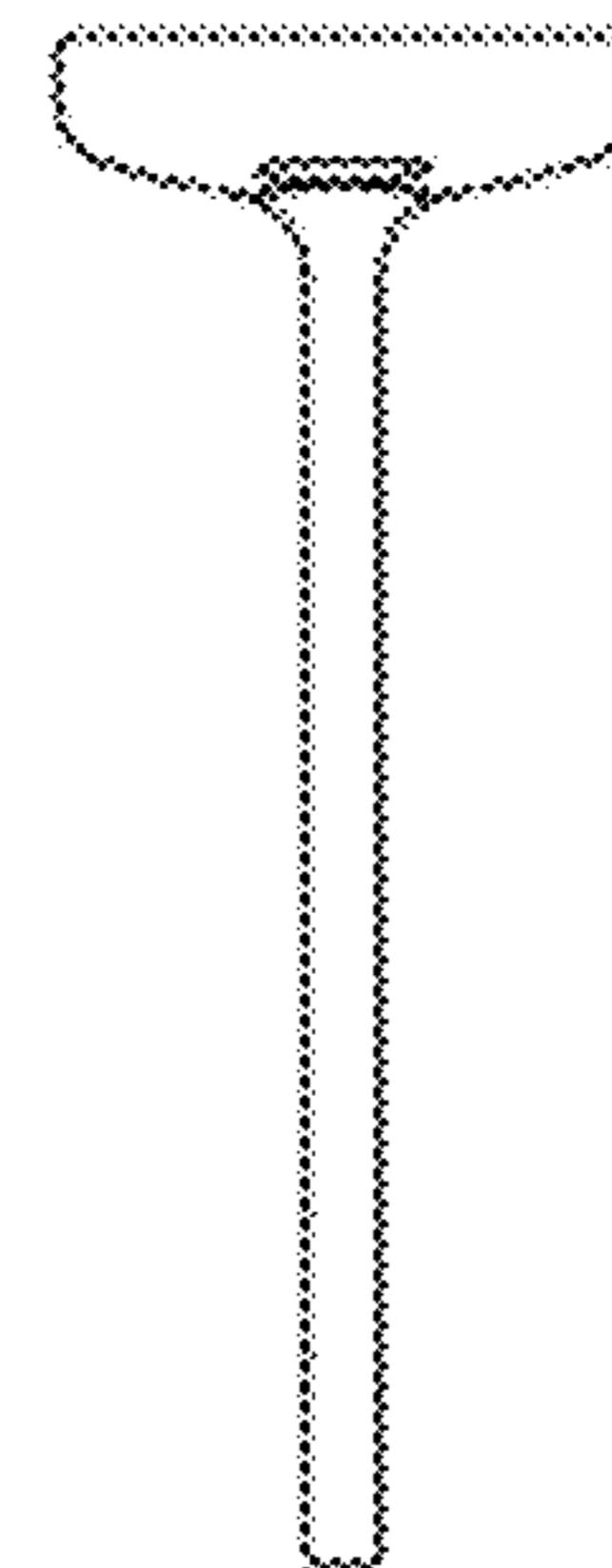


Fig. 16

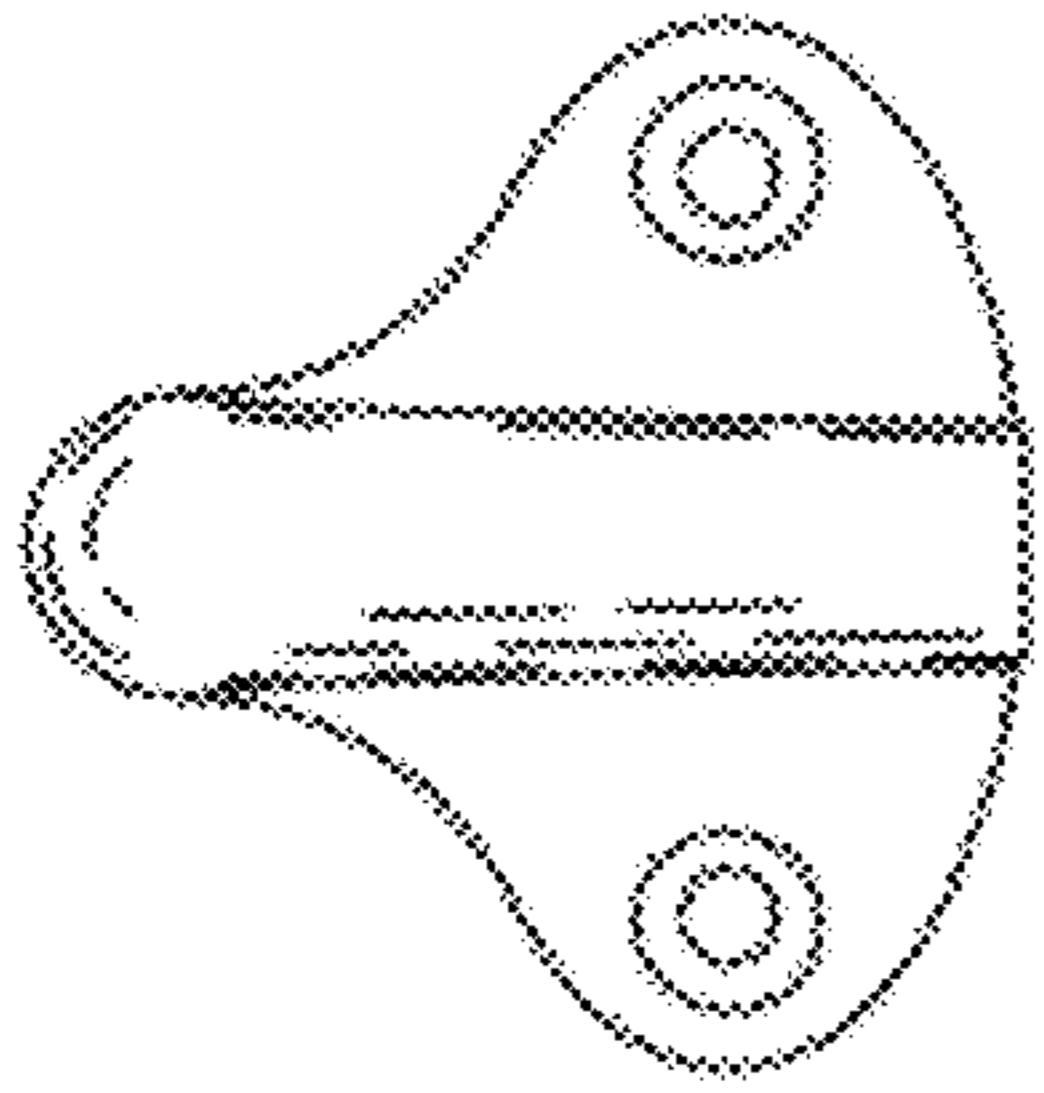


Fig. 17

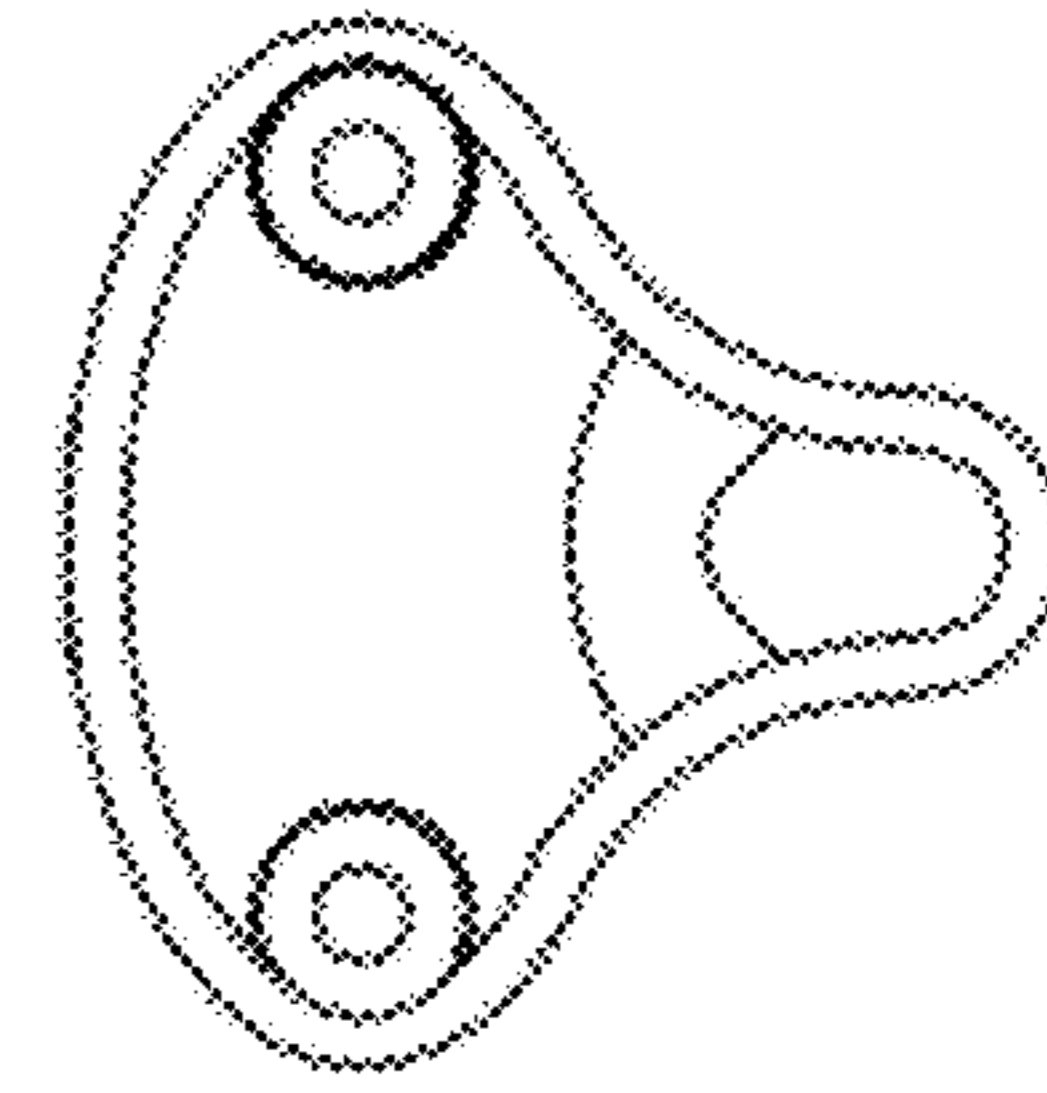


Fig. 18

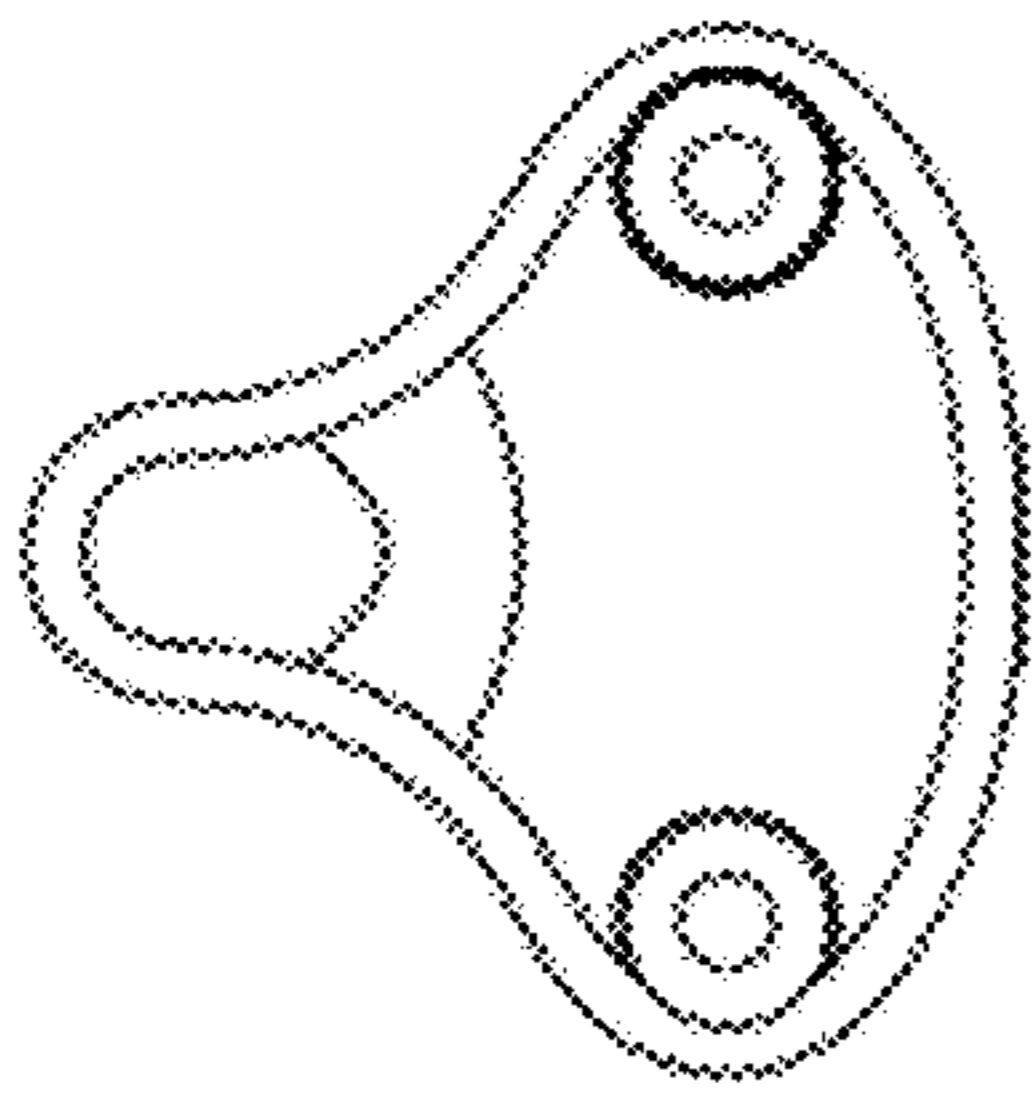


Fig. 19

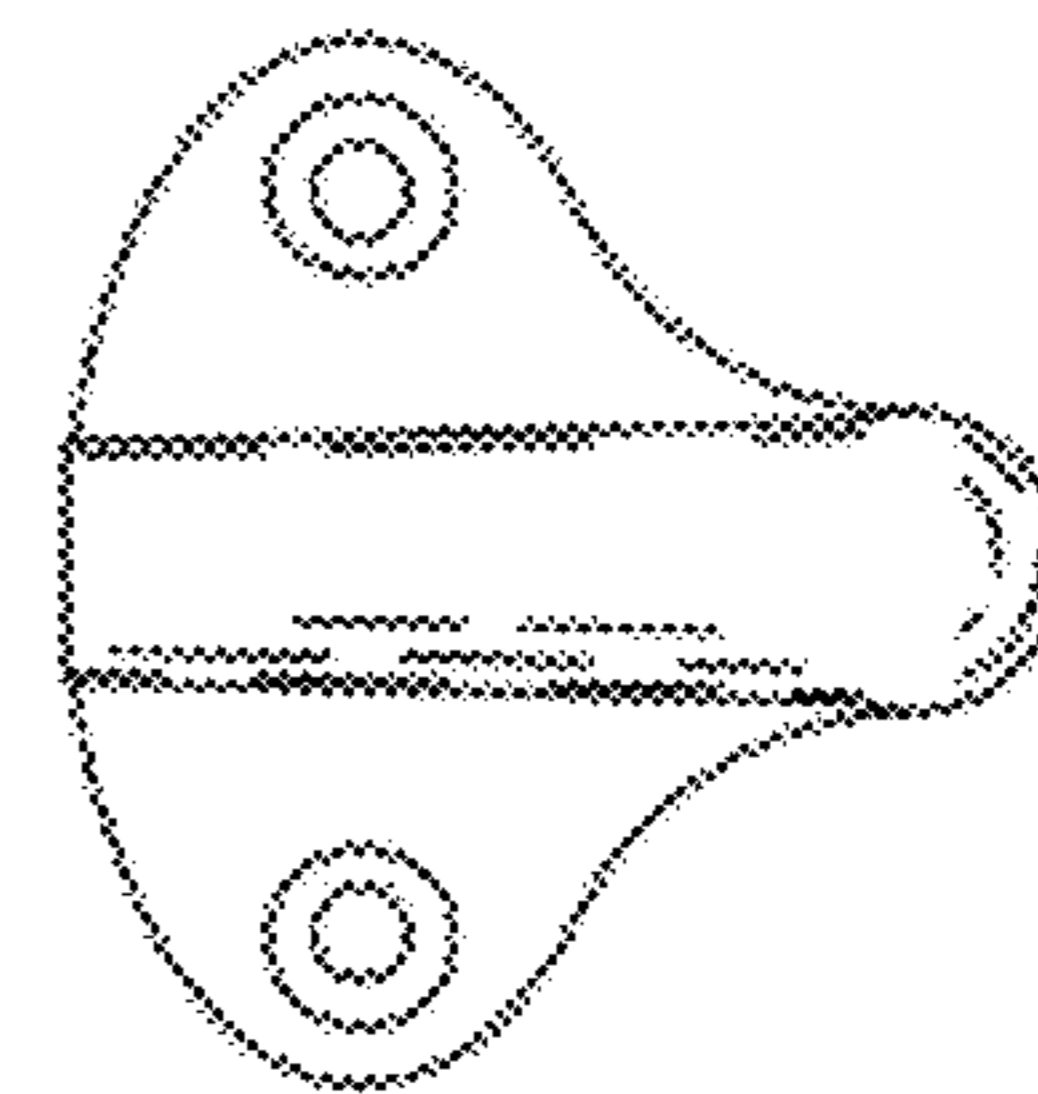


Fig. 20

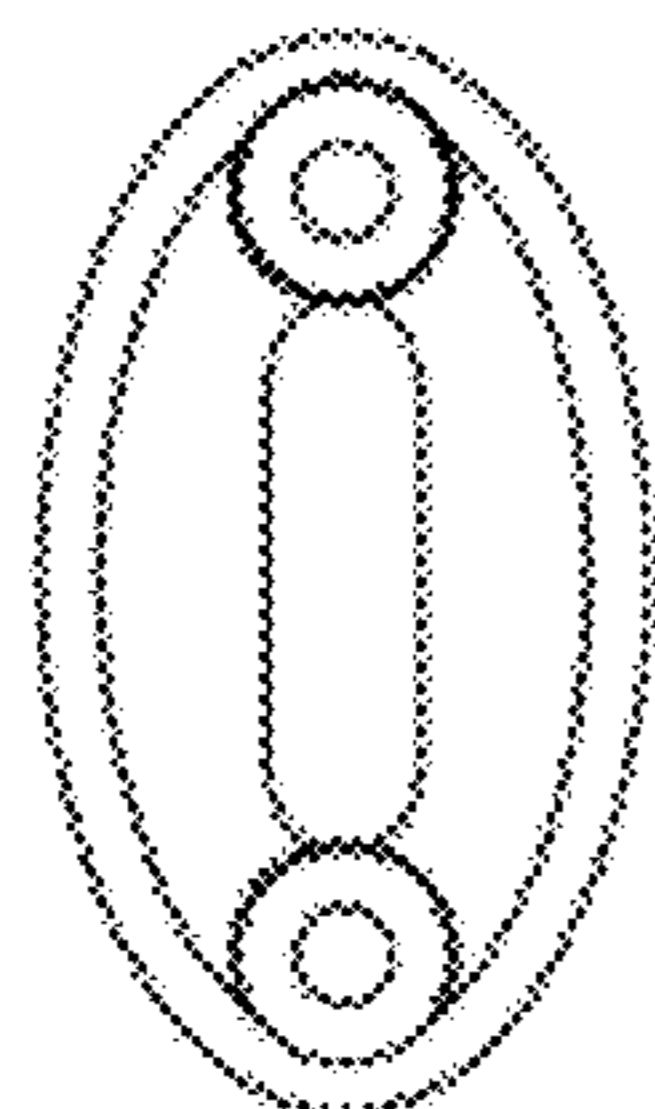


Fig. 21

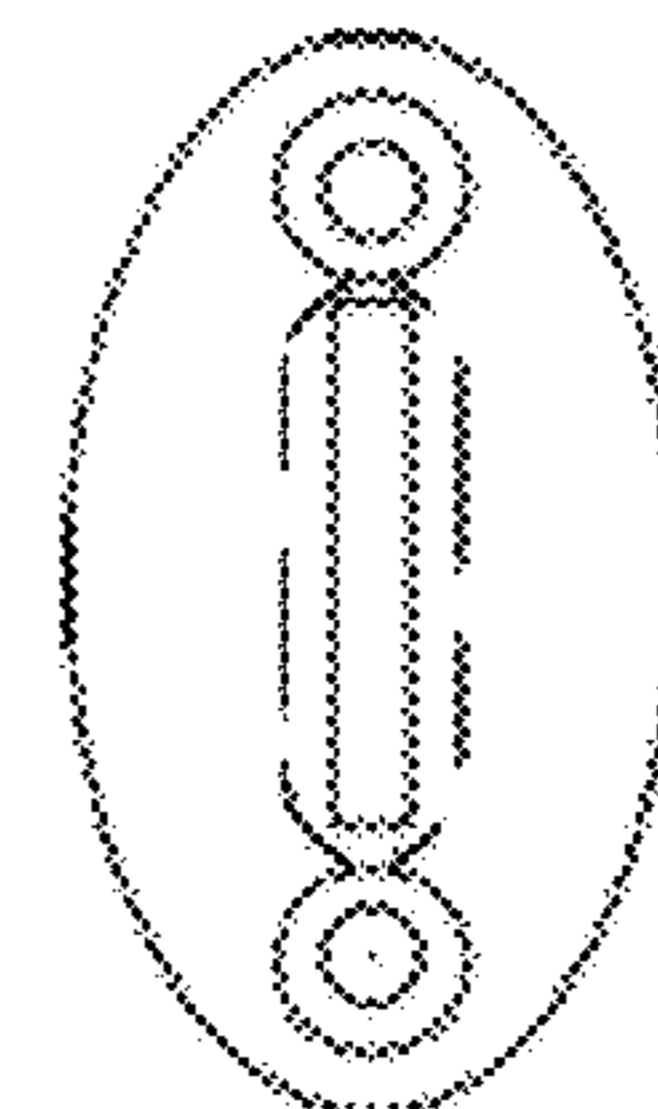


Fig. 22