



US00D656003S

(12) **United States Design Patent**
Quaeck

(10) **Patent No.:** **US D656,003 S**
(45) **Date of Patent:** **** Mar. 20, 2012**

(54) **COLLAPSIBLE SHOWER CURTAIN ROD**

2006/0096023 A1 5/2006 Dewees
2006/0249638 A1 11/2006 Ehrke
2007/0277945 A1 12/2007 Florig

(76) Inventor: **Manfred W. Quaeck**, Sammamish, WA
(US)

* cited by examiner

(**) Term: **14 Years**

Primary Examiner — Holly Baynham

(21) Appl. No.: **29/349,516**

(22) Filed: **Apr. 12, 2010**

(57) **CLAIM**

I claim the ornamental design for a collapsible shower curtain rod, as shown and described.

(51) **LOC (9) Cl.** **08-05**

(52) **U.S. Cl.** **D8/376**

(58) **Field of Classification Search** D8/376,
D8/377; 4/605, 576.1; 160/19, 38-39
See application file for complete search history.

DESCRIPTION

(56) **References Cited**

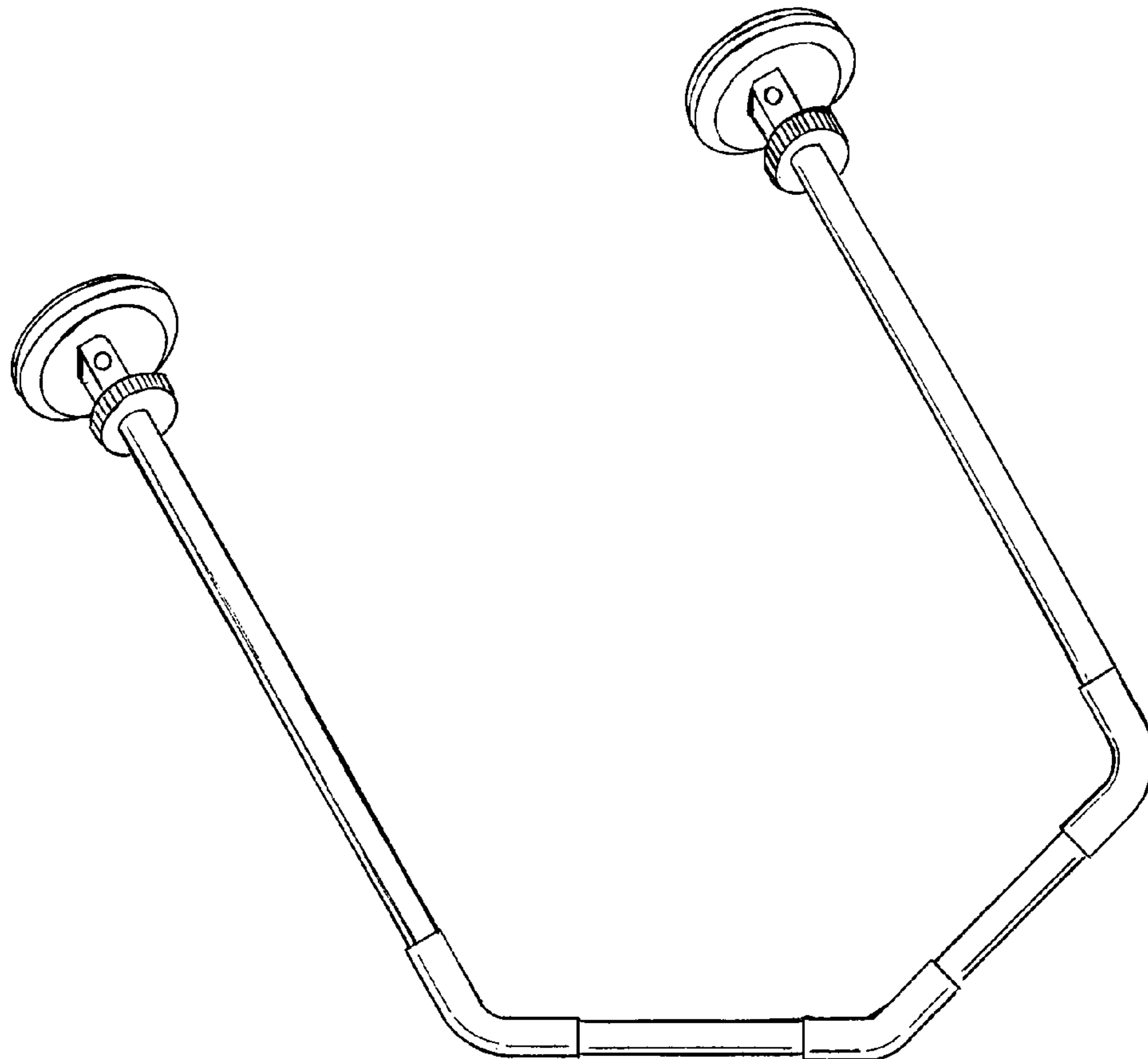
U.S. PATENT DOCUMENTS

D379,297	S	*	5/1997	Shires	D8/376
6,044,891	A		4/2000	Guo		
6,609,689	B1		8/2003	Knapp		
6,651,831	B2		11/2003	Samelson		
D483,251	S	*	12/2003	Suero, Jr.	D8/376
D543,839	S	*	6/2007	Cooper et al.	D8/376
D544,786	S	*	6/2007	Barrese	D8/376
D600,056	S		9/2009	Careaga		
2006/0053547	A1	*	3/2006	Farrow et al.	4/576.1

FIG. 1 is a left, top, front perspective view embodying my new design;
FIG. 2 is a top plan view thereof, the bottom plan view being a mirror image of the top view shown;
FIG. 3 is a front elevation view thereof;
FIG. 4 is a rear elevation view thereof;
FIG. 5 is a left side elevation view thereof, the right side elevation view thereof being a mirror image of the left side shown;
FIG. 6 is a top exploded view thereof; and,
FIG. 7 is a reduced scale, environmental perspective view thereof.

The broken lines showing a recreational vehicle is for the purposes of illustrating environment and forms no part of the claimed design.

1 Claim, 7 Drawing Sheets



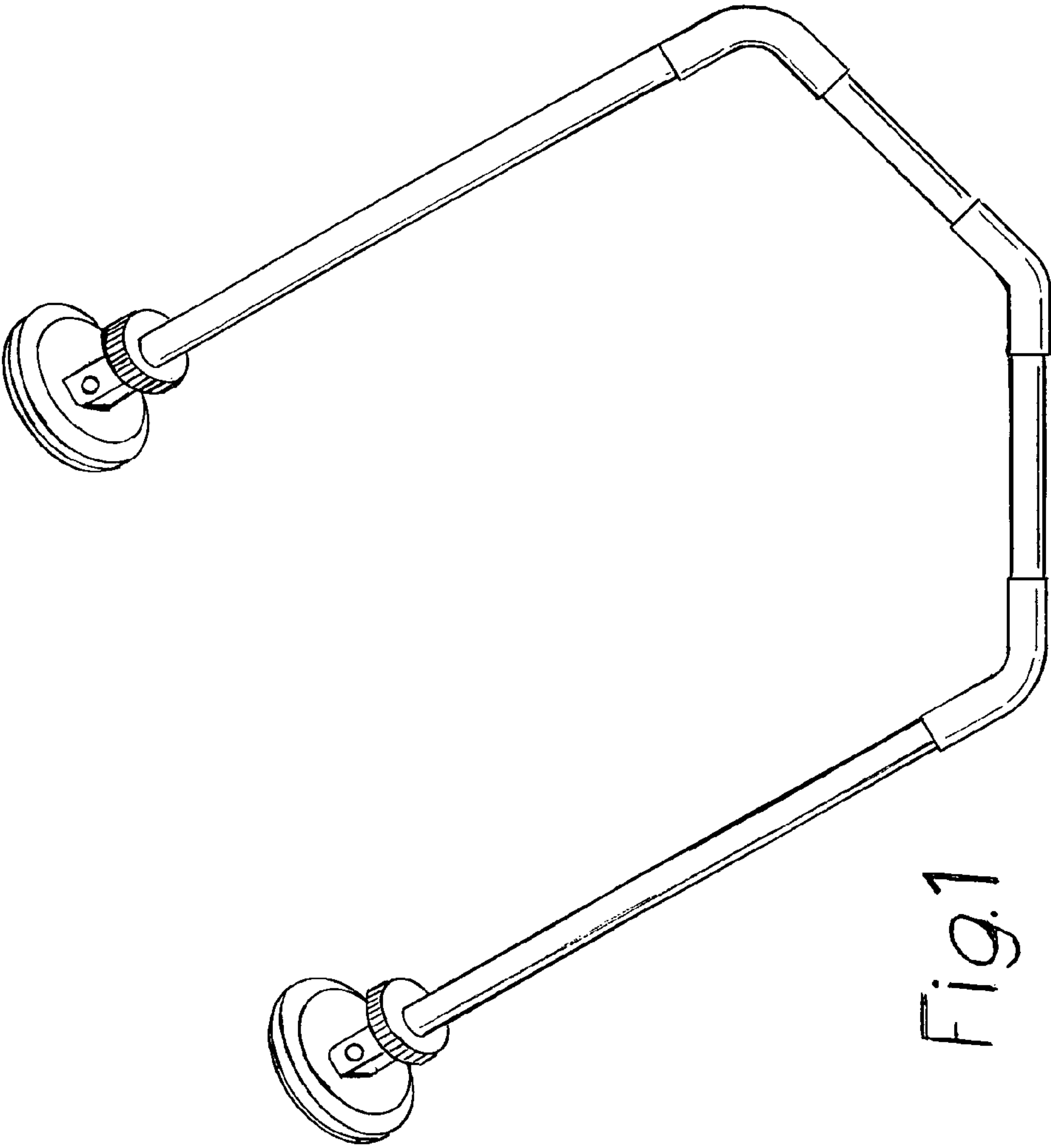


Fig.1

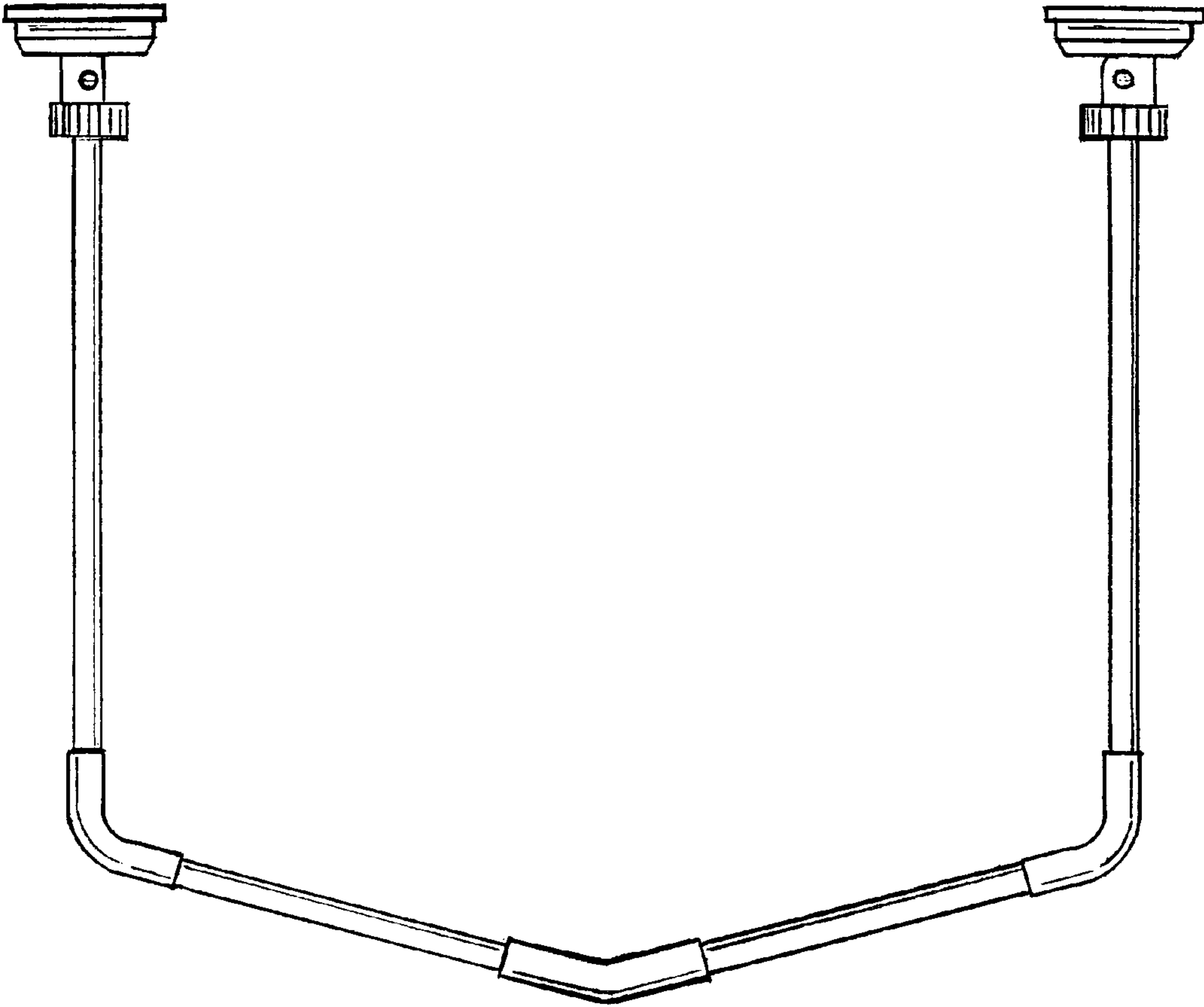


Fig. 2

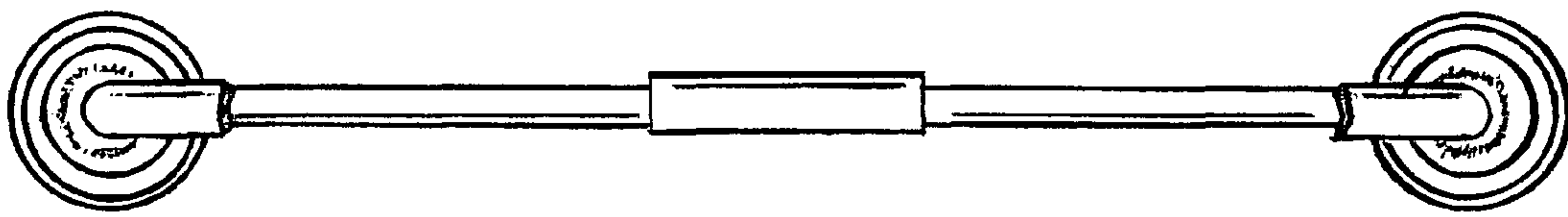


Fig. 3

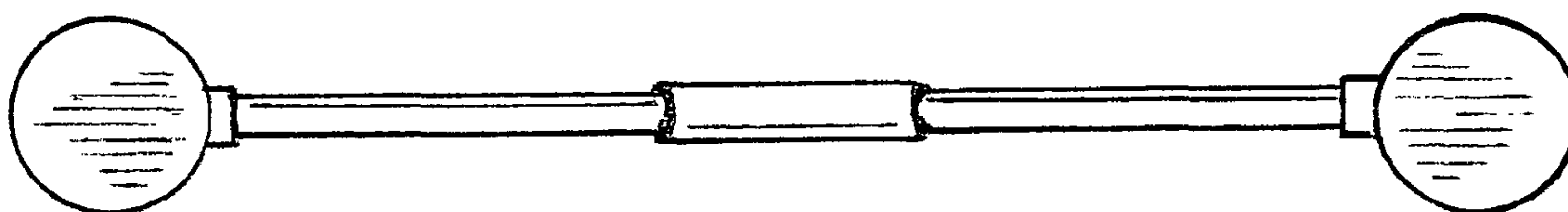


Fig. 4

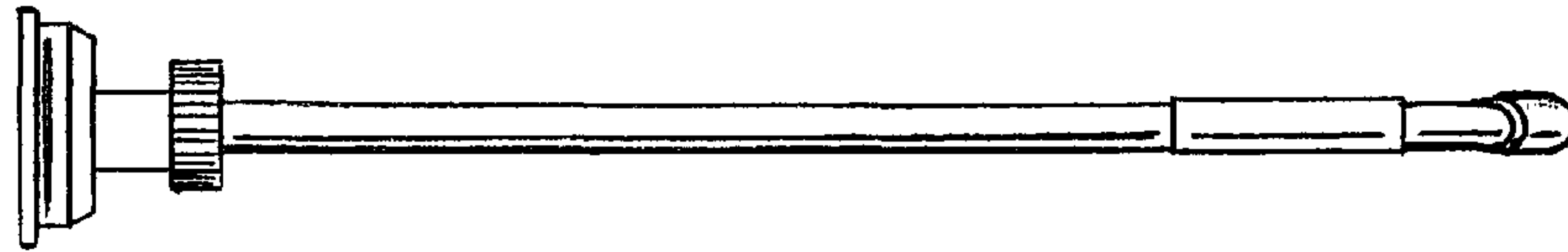


Fig. 5

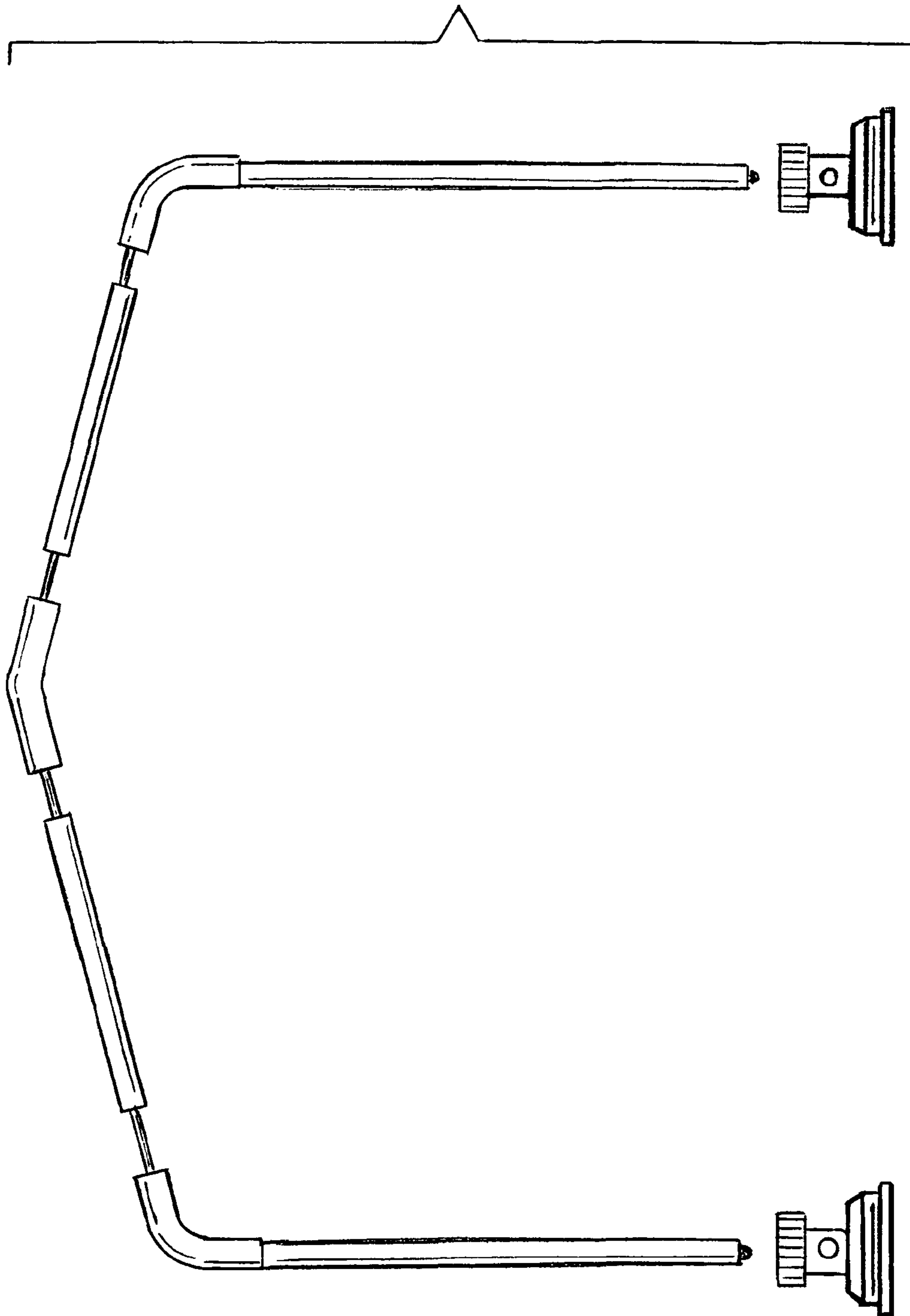


Fig. 6

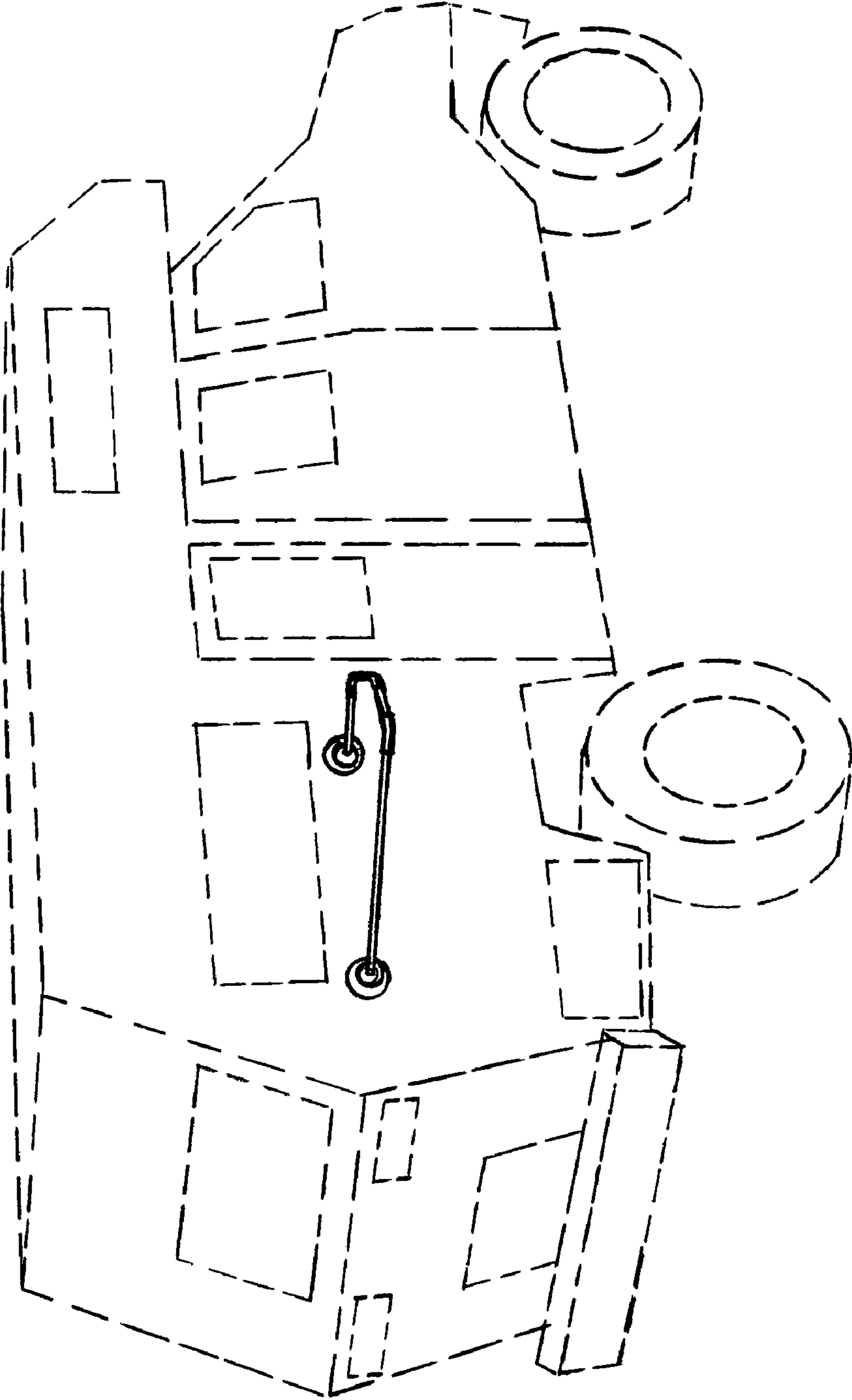


Fig. 7