



US00D656001S

(12) **United States Design Patent**  
**Hecht**

(10) **Patent No.:** **US D656,001 S**

(45) **Date of Patent:** **\*\* \*Mar. 20, 2012**

- (54) **FLOW REGULATOR FRAME**
- (75) Inventor: **Thomas R. Hecht**, Winters, CA (US)
- (73) Assignee: **Automatic Bar Controls, Inc.**,  
Vacaville, CA (US)
- (\*) Notice: This patent is subject to a terminal disclaimer.
- (\*\*) Term: **14 Years**
- (21) Appl. No.: **29/380,323**
- (22) Filed: **Dec. 2, 2010**
- (51) **LOC (9) Cl.** ..... **08-05**
- (52) **U.S. Cl.** ..... **D8/356**
- (58) **Field of Classification Search** ..... D23/233–237,  
D23/244–249; D8/105, 107, 333, 349, 354,  
D8/356, 367, 373, 382, 383, 394, 396, 400;  
D12/223; D13/154, 155, 184; 174/68.1,  
174/68.3, 72 A, 72 R, 80, 97, 101, 135, 153 G,  
174/480, 481, 504, 650, 656; 248/65, 74.1–74.4,  
248/201, 214, 215, 218.4, 219.1, 219.3–219.4,  
248/229.26, 300, 302, 304, 316.7, 316.8;  
439/131, 135, 142, 365, 368, 371, 472, 443,  
439/501, 719; 361/826; 365/134, 135  
See application file for complete search history.

- D478,965 S \* 8/2003 Ferrer Beltran ..... D23/233
- D502,762 S \* 3/2005 Kriegshauser ..... D23/233
- D504,715 S \* 5/2005 Hagihara ..... D23/235
- D538,889 S \* 3/2007 Marstorp ..... D23/233
- D539,387 S \* 3/2007 Donovan et al. .... D23/233
- D559,955 S \* 1/2008 Donovan et al. .... D23/233
- D616,730 S \* 6/2010 Dennes ..... D8/356
- D625,168 S \* 10/2010 Chen ..... D8/354
- D625,381 S \* 10/2010 Asaoka ..... D22/120
- 7,825,337 B2 \* 11/2010 Young, IV ..... 174/72 A
- D638,691 S \* 5/2011 Hoek ..... D8/356

\* cited by examiner

*Primary Examiner* — Cathron C. Brooks

*Assistant Examiner* — Maurice Stevens

(74) *Attorney, Agent, or Firm* — Kilpatrick Townsend & Stockton LLP

(57) **CLAIM**

The ornamental design for a flow regulator frame, as shown and described.

**DESCRIPTION**

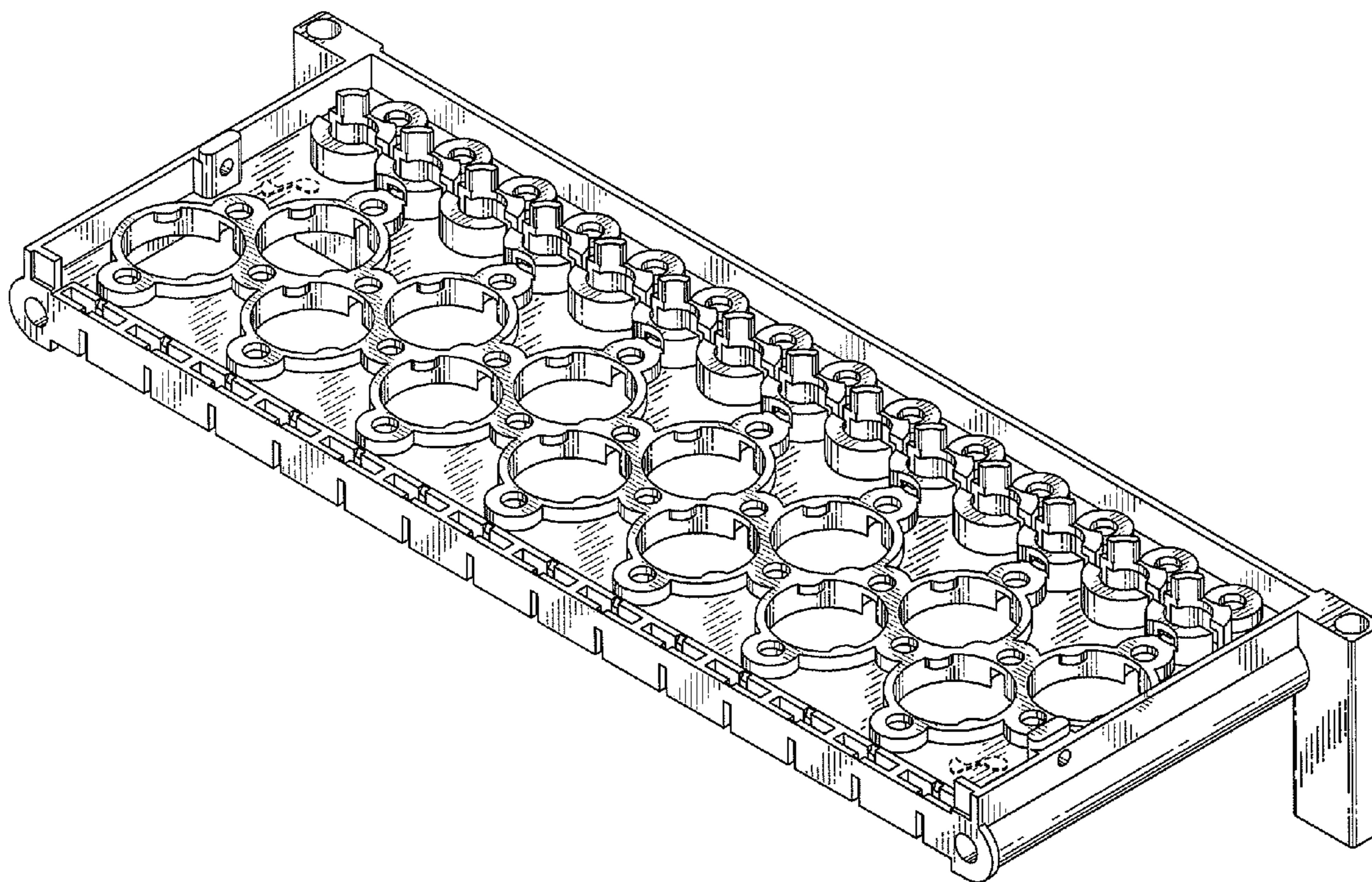
FIG. 1 is a top perspective view of a flow regulator frame showing my new design;  
 FIG. 2 is a bottom perspective view thereof;  
 FIG. 3 is a top plan view thereof;  
 FIG. 4 is a bottom plan view thereof;  
 FIG. 5 is a front elevational view thereof;  
 FIG. 6 is a rear elevational view thereof;  
 FIG. 7 is a right side elevational view thereof; and,  
 FIG. 8 is a left side elevational view thereof.  
 The broken line showings form no part of the claimed design.

(56) **References Cited**

U.S. PATENT DOCUMENTS

- D442,260 S \* 5/2001 Marzec et al. .... D23/233
- D476,718 S \* 7/2003 Ferrer Beltran ..... D23/209

**1 Claim, 6 Drawing Sheets**



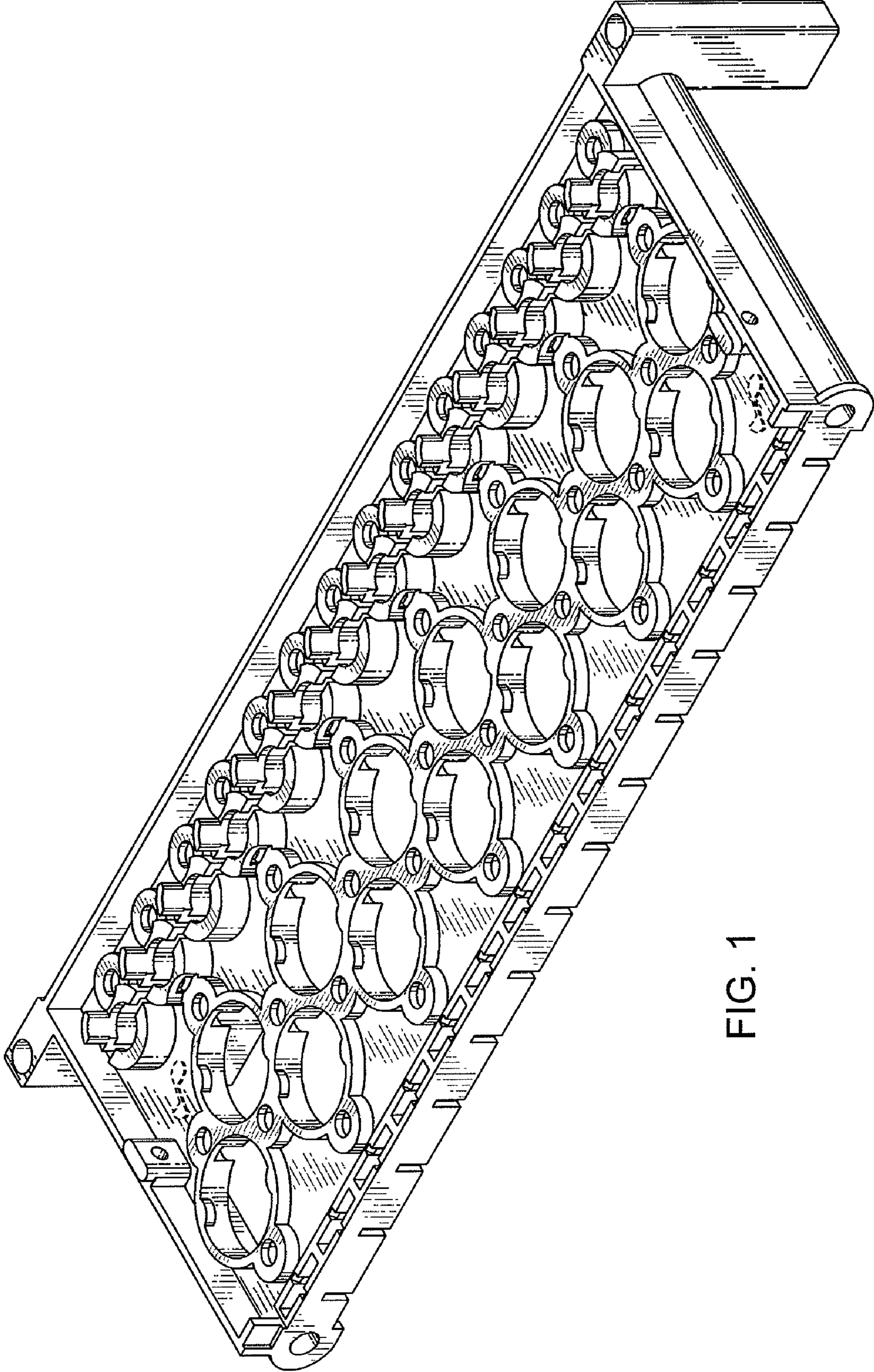


FIG. 1

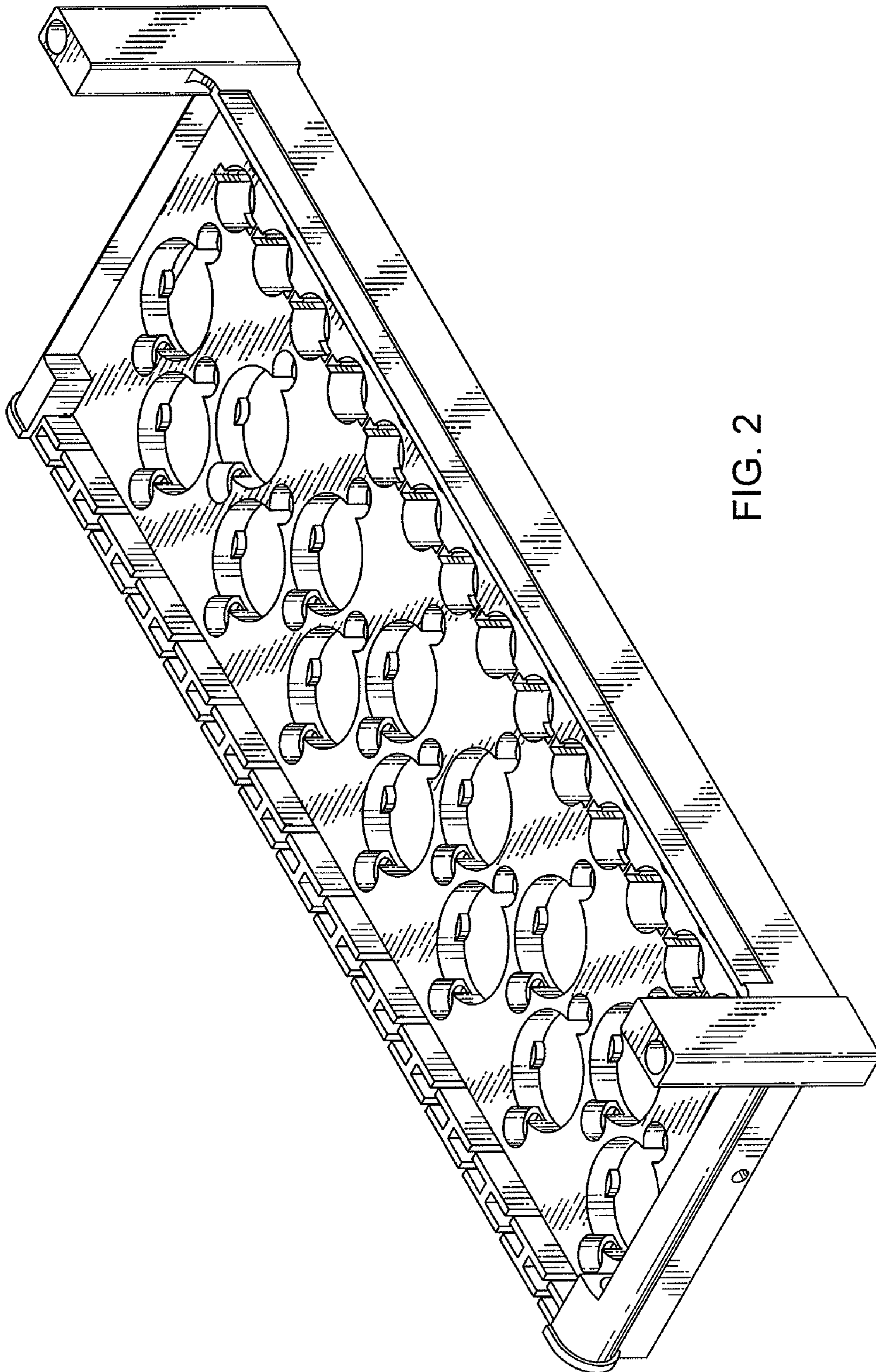


FIG. 2

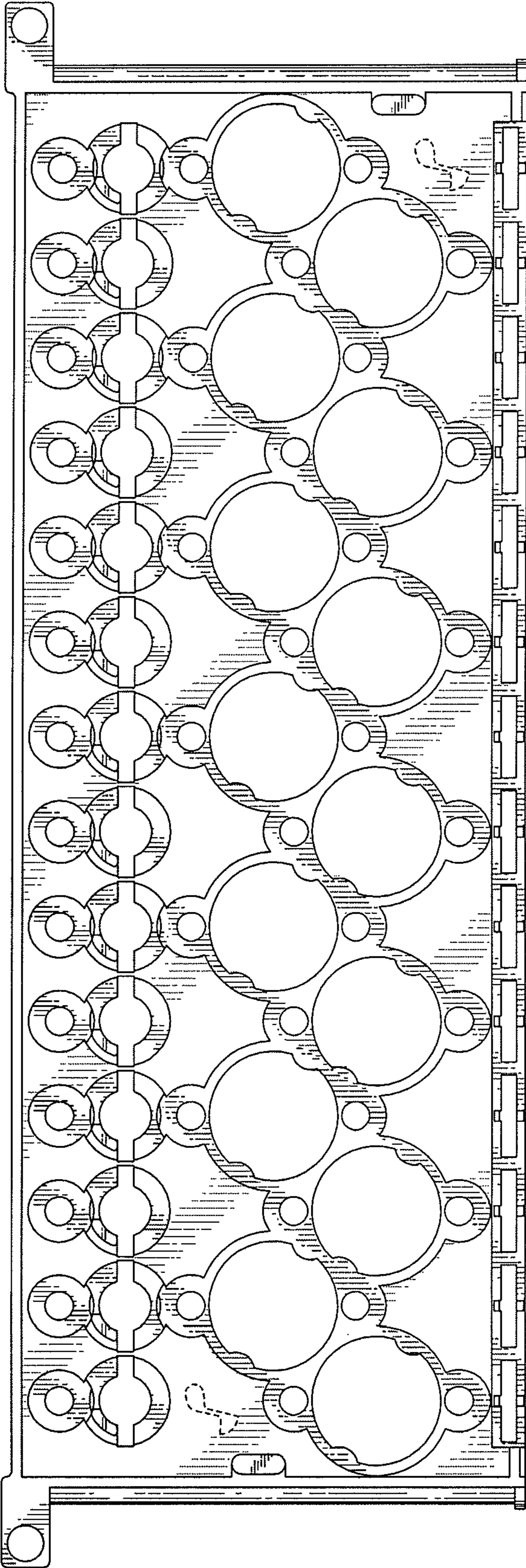


FIG. 3

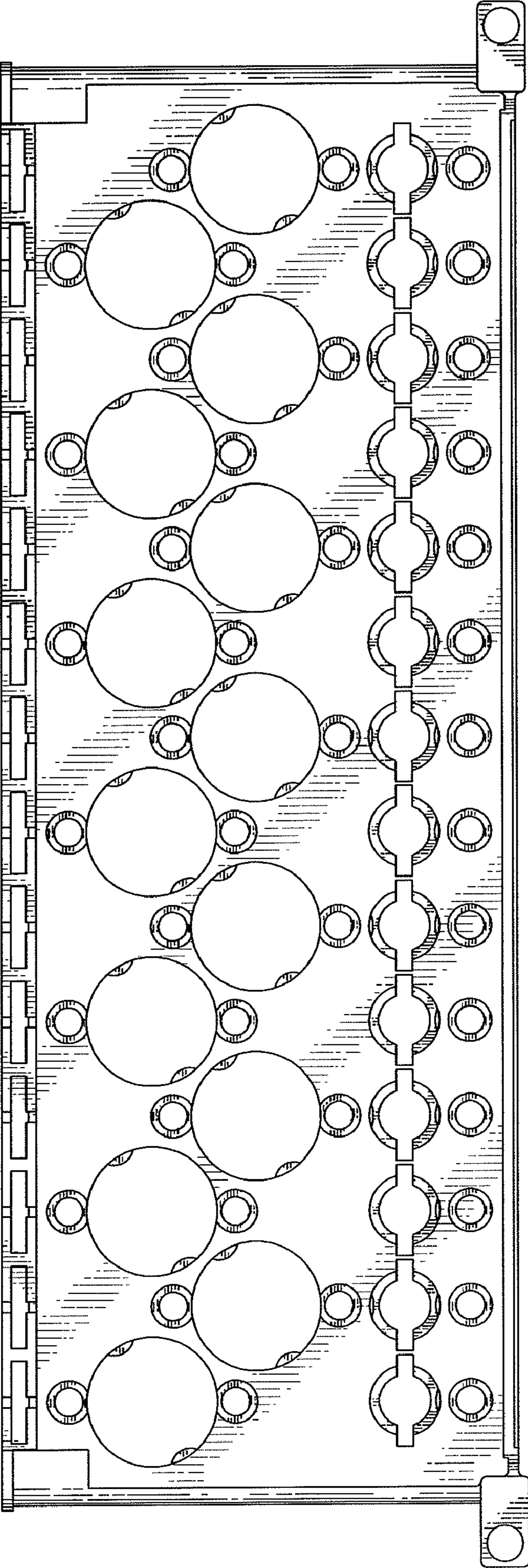


FIG. 4

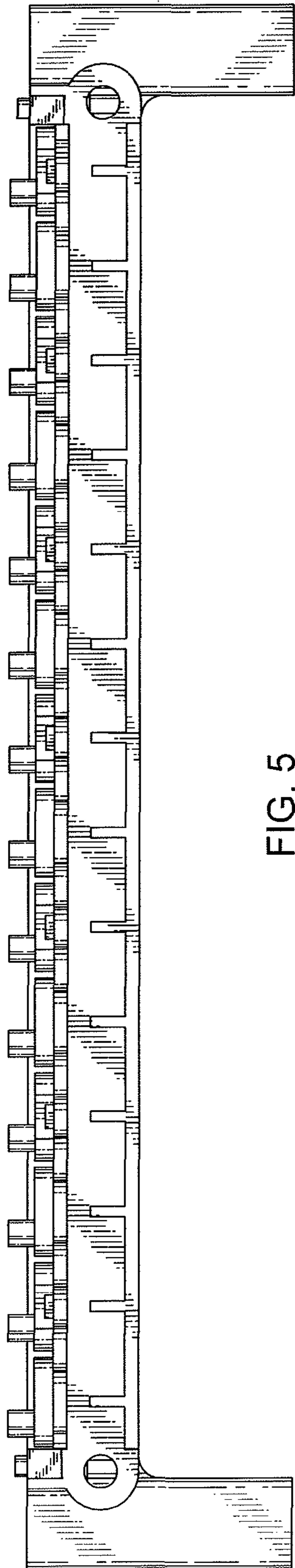


FIG. 5

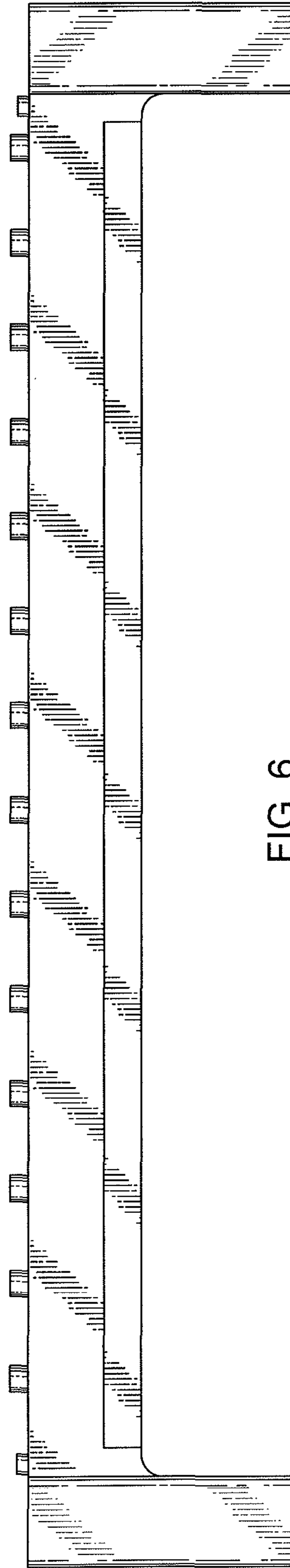


FIG. 6

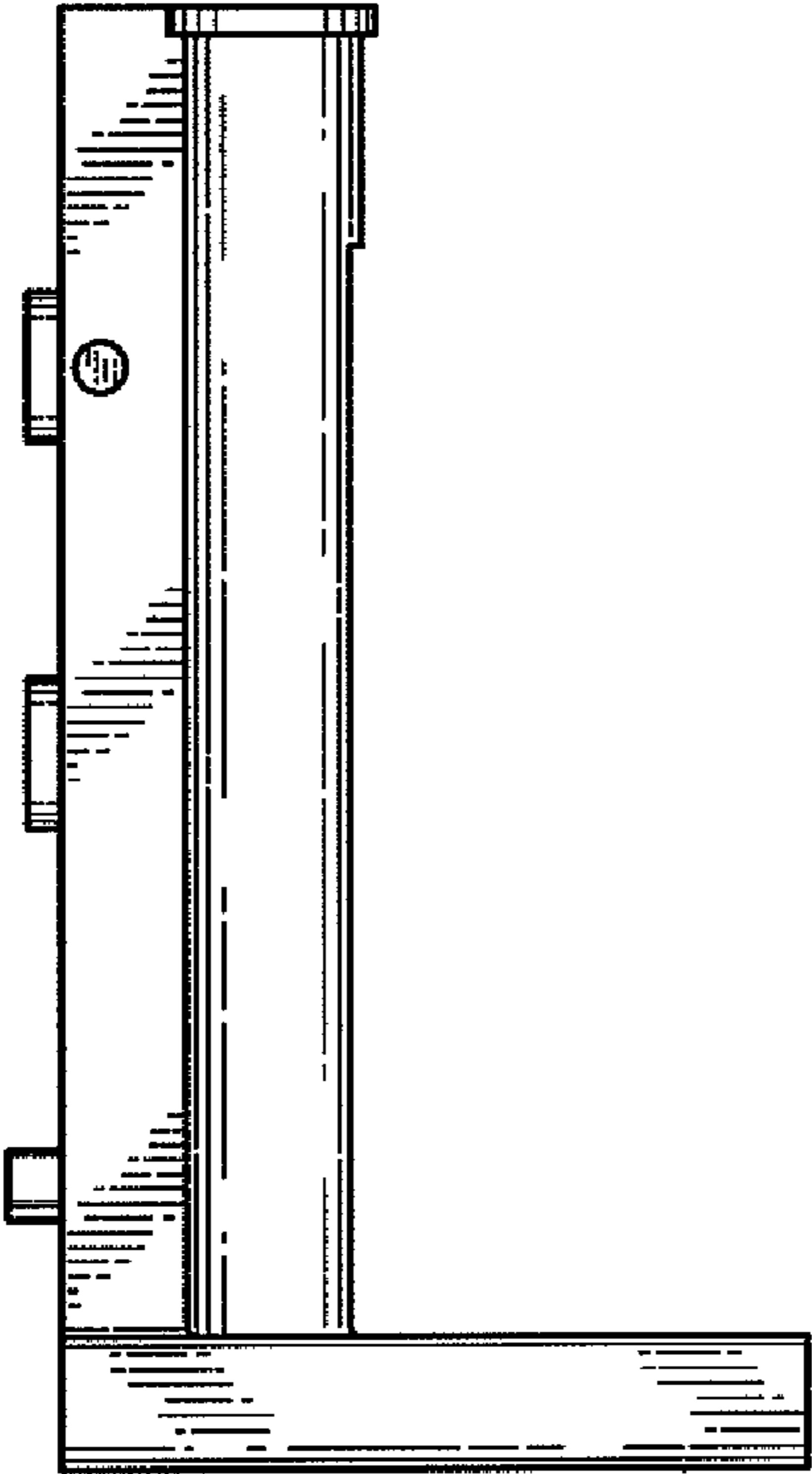


FIG. 7

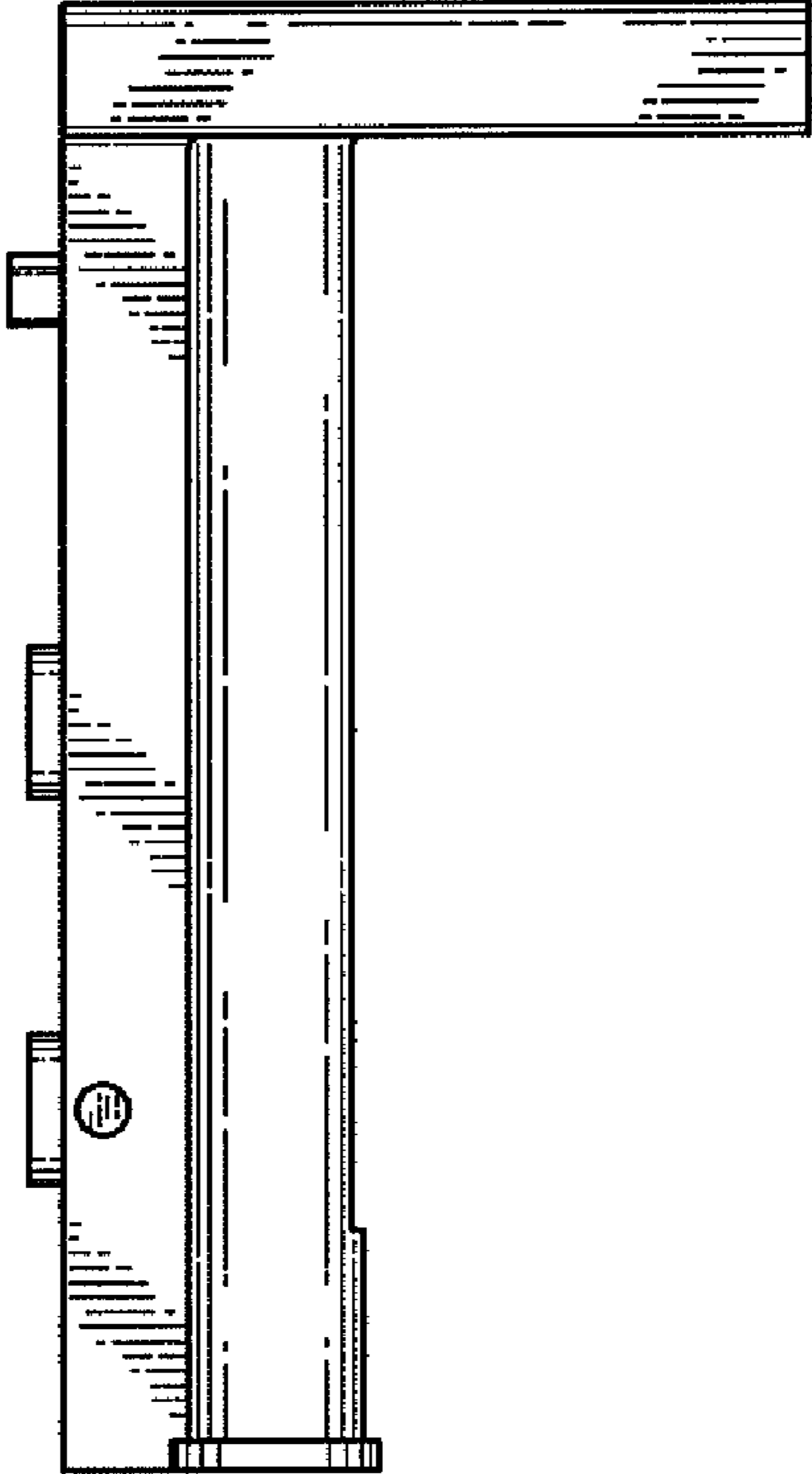


FIG. 8