



US00D656000S

(12) **United States Design Patent**  
**Halleck**

(10) **Patent No.:** **US D656,000 S**  
(45) **Date of Patent:** **\*\* Mar. 20, 2012**

(54) **HOSE GUIDE**

(75) Inventor: **Duane Halleck**, Homer Glen, IL (US)

(73) Assignee: **Cooley Wire Products**, Schiller Park, IL (US)

(\*\*) Term: **14 Years**

(21) Appl. No.: **29/363,767**

(22) Filed: **Jun. 14, 2010**

(51) **LOC (9) Cl.** ..... **08-05**

(52) **U.S. Cl.** ..... **D8/356**

(58) **Field of Classification Search** ..... D6/546,  
D6/504, 503, 491, 329; D8/354, 349, 356,  
D8/367, 368, 384, 499, 351-353; 24/581.12,  
24/582.1; D12/159; 267/167; 5/248, 269;  
D11/17, 18, 22

See application file for complete search history.

(56) **References Cited**

U.S. PATENT DOCUMENTS

|           |      |         |                  |       |           |
|-----------|------|---------|------------------|-------|-----------|
| D34,899   | S *  | 8/1901  | Brockelbank      | ..... | D8/499    |
| 2,329,446 | A *  | 9/1943  | Whitehead et al. | ..... | 160/349.2 |
| 2,495,796 | A *  | 1/1950  | White et al.     | ..... | 100/212   |
| 2,536,341 | A *  | 1/1951  | Asher            | ..... | 248/87    |
| 3,468,527 | A *  | 9/1969  | Mather           | ..... | 267/167   |
| D269,946  | S *  | 8/1983  | Drew             | ..... | D8/396    |
| 4,951,361 | A *  | 8/1990  | Stephens, Jr.    | ..... | 24/3.6    |
| 5,088,666 | A    | 2/1992  | Lang             |       |           |
| 5,361,658 | A    | 11/1994 | Murphy           |       |           |
| D368,515  | S    | 4/1996  | Greubel          |       |           |
| 5,507,300 | A *  | 4/1996  | Mukai et al.     | ..... | 600/585   |
| 5,549,262 | A    | 8/1996  | Whitehead        |       |           |
| 5,853,142 | A    | 12/1998 | Anderson         |       |           |
| D414,662  | S    | 10/1999 | Kerns et al.     |       |           |
| D436,019  | S    | 1/2001  | Thomas           |       |           |
| D442,849  | S    | 5/2001  | Thomas           |       |           |
| 6,273,373 | B1 * | 8/2001  | Baumael          | ..... | 248/73    |

|           |      |         |                 |       |         |
|-----------|------|---------|-----------------|-------|---------|
| 6,375,174 | B2 * | 4/2002  | Hasegawa et al. | ..... | 267/167 |
| 6,464,178 | B1   | 10/2002 | Kidd, III       |       |         |
| 6,477,402 | B1 * | 11/2002 | Lynch et al.    | ..... | 600/434 |
| D470,035  | S    | 2/2003  | Tisbo et al.    |       |         |
| 6,595,464 | B2   | 7/2003  | Peck            |       |         |
| 6,622,960 | B2   | 9/2003  | Hyde            |       |         |
| D492,928  | S    | 7/2004  | Pond            |       |         |
| 6,811,124 | B2   | 11/2004 | Karlinger       |       |         |
| 6,932,004 | B2   | 8/2005  | Raducha         |       |         |
| D525,838  | S *  | 8/2006  | Weiser et al.   | ..... | D8/1    |
| 7,213,802 | B2 * | 5/2007  | Soga et al.     | ..... | 267/167 |

(Continued)

Primary Examiner — Cynthia Underwood

(74) *Attorney, Agent, or Firm* — McAndrews, Held & Malloy, Ltd.

(57) **CLAIM**

The ornamental design for the hose guide, as shown and described.

**DESCRIPTION**

FIG. 1 is a perspective view of an hose guide.

FIG. 2 is another perspective view of the hose guide of FIG. 1.

FIG. 3 is a top plan view of the hose guide cap of FIG. 1.

FIG. 4 is a rear elevational view of the hose guide of FIG. 1.

FIG. 5 is a left-side elevational view of the hose guide of FIG. 1.

FIG. 6 is a front elevational view of the hose guide of FIG. 1.

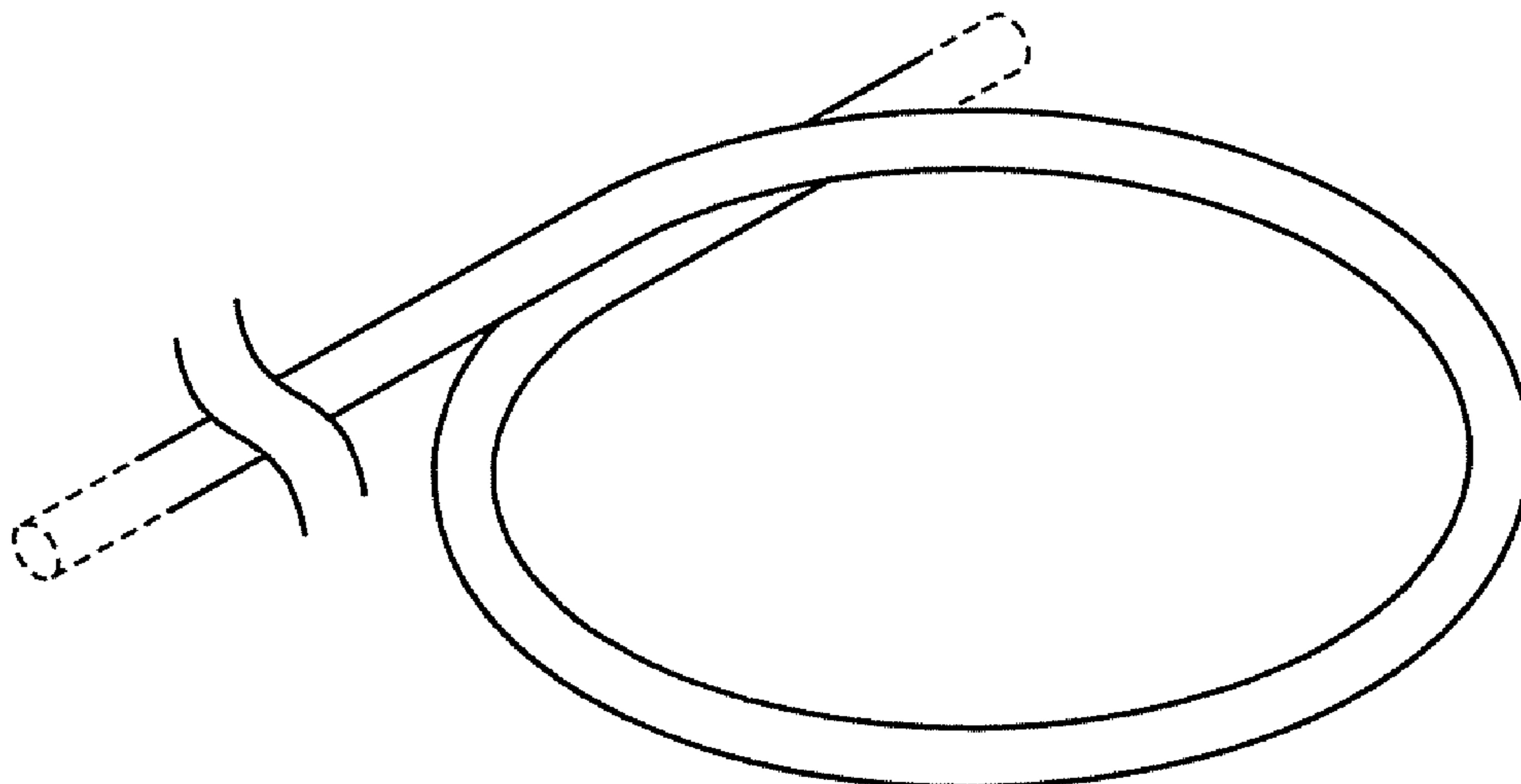
FIG. 7 is a right-side elevational view of the hose guide of FIG. 1; and,

FIG. 8 is a bottom plan view of the hose guide of FIG. 1.

The broken lines represent portions of the structure that form no part of the claim; the wavy lines indicate indeterminate length.

The wavy lines represent an unspecified length of the structure, the length of which forms no part of the claim.

**1 Claim, 2 Drawing Sheets**



# US D656,000 S

Page 2

---

| U.S. PATENT DOCUMENTS |      |        |                          |              |      |                                      |
|-----------------------|------|--------|--------------------------|--------------|------|--------------------------------------|
| 7,344,339             | B1   | 3/2008 | Reinhardt et al.         | 2003/0029963 | A1   | 2/2003 Hyde                          |
| 7,494,010             | B2 * | 2/2009 | Opie et al. .... 206/363 | 2007/0043307 | A1 * | 2/2007 Raulerson et al. .... 600/585 |
| 7,527,227             | B1   | 5/2009 | Mondello                 |              |      |                                      |

\* cited by examiner

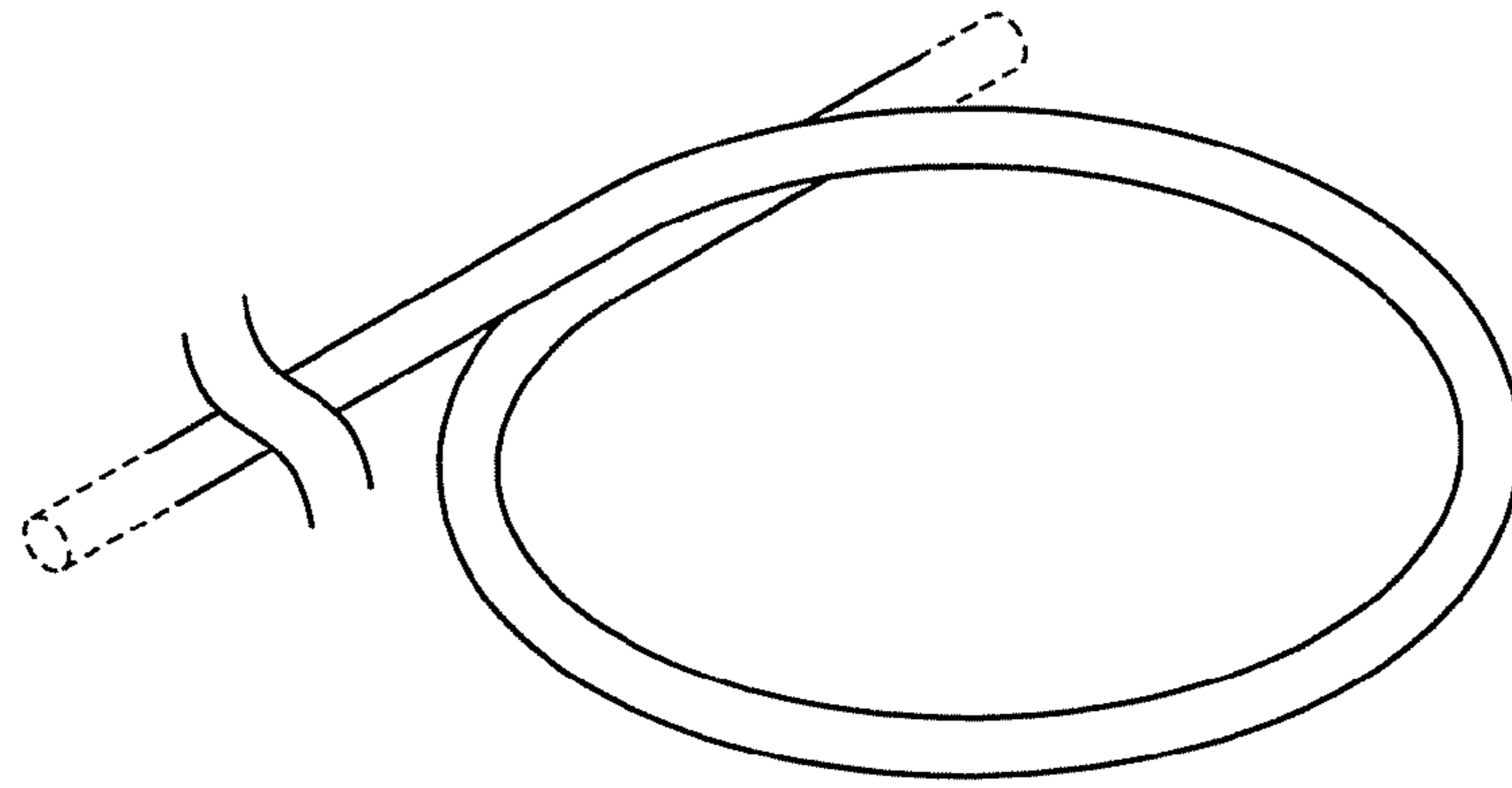


FIG. 1

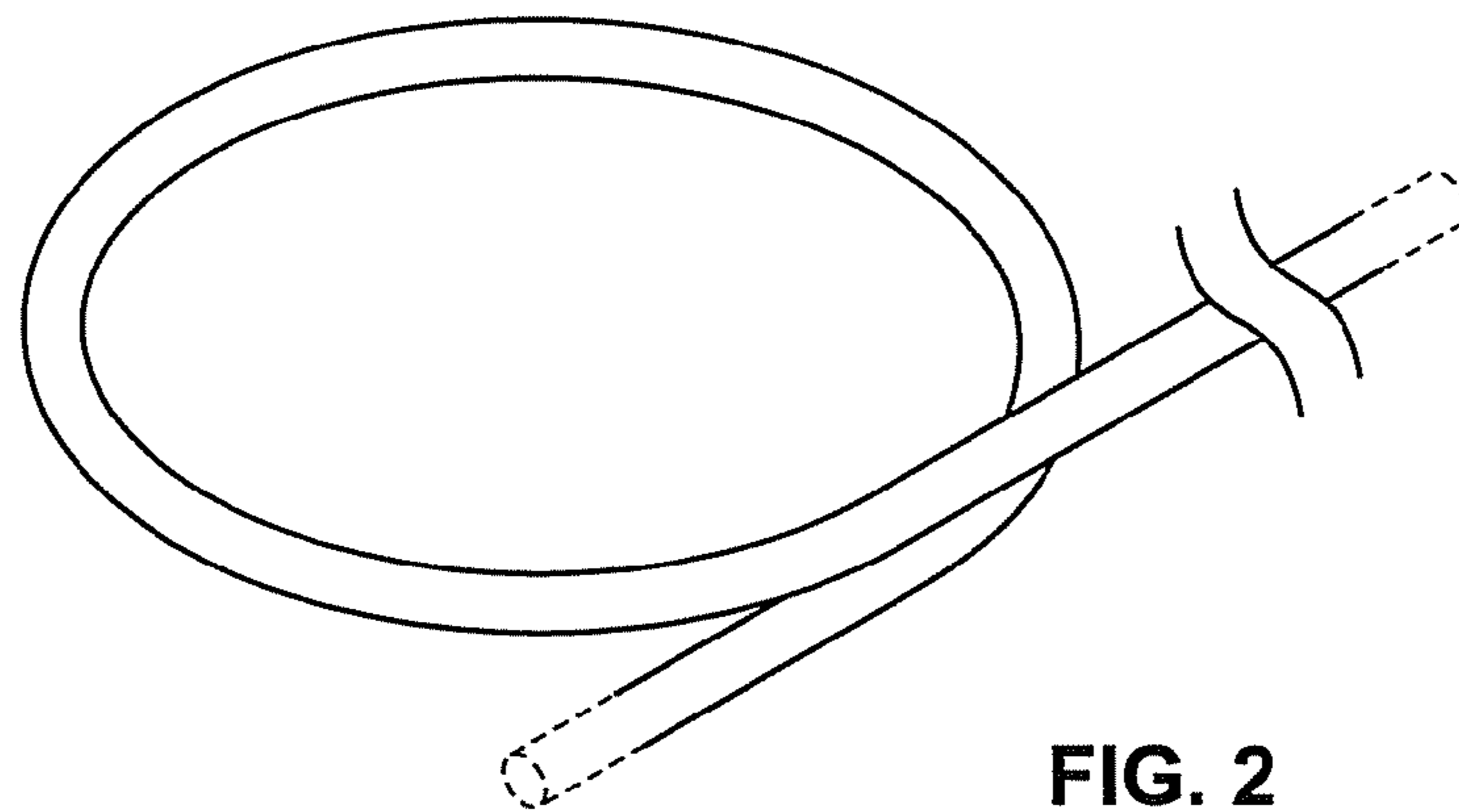


FIG. 2

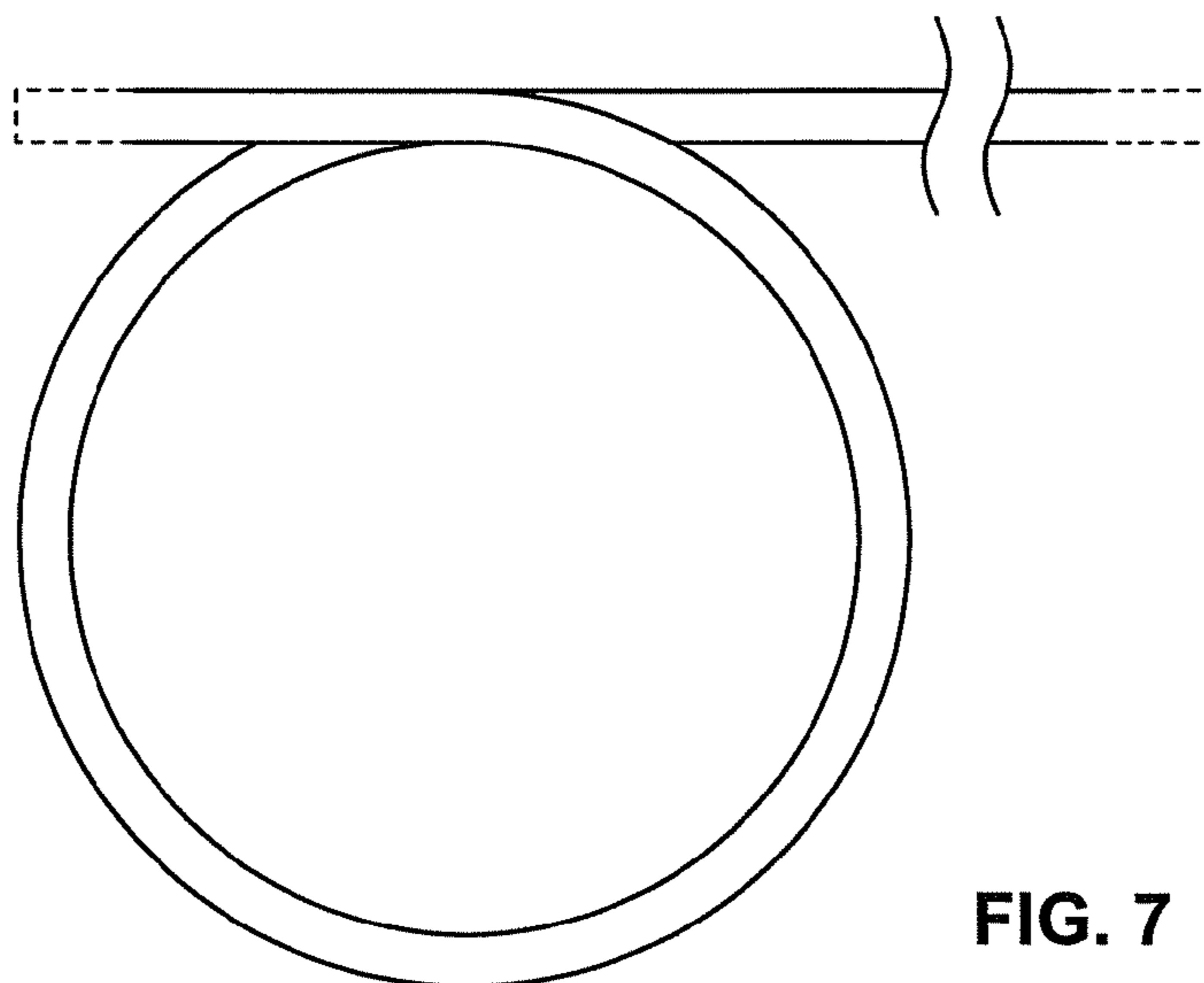


FIG. 7

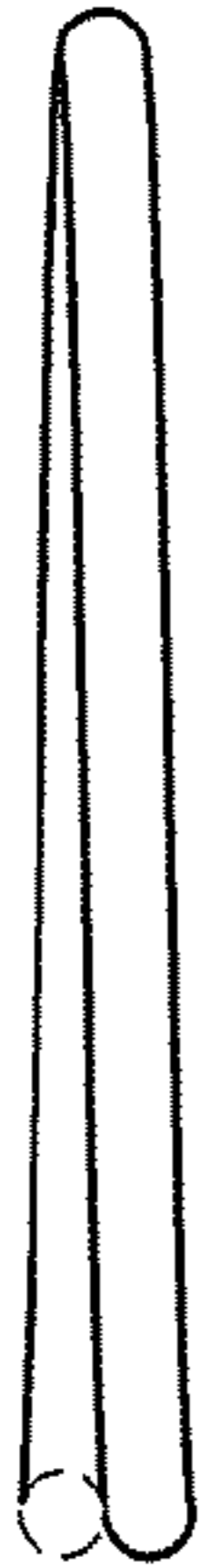


FIG. 3

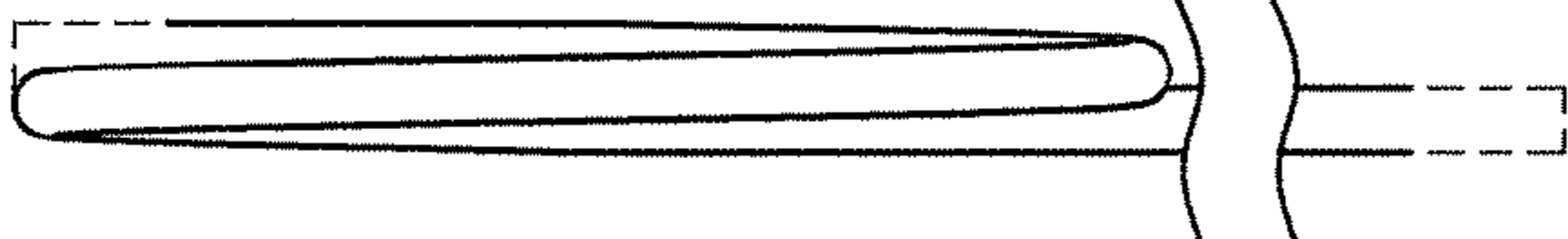
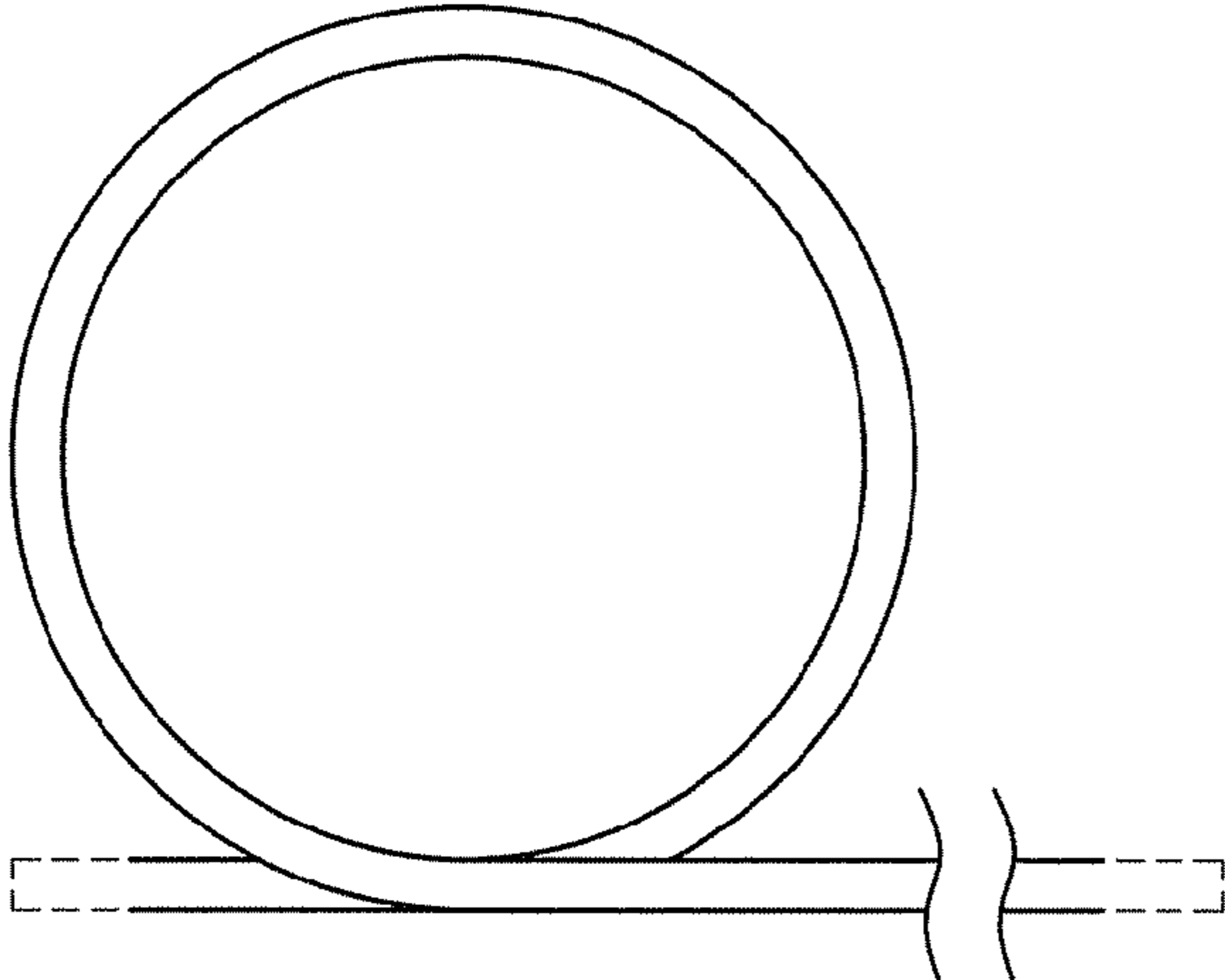


FIG. 5



FIG. 6

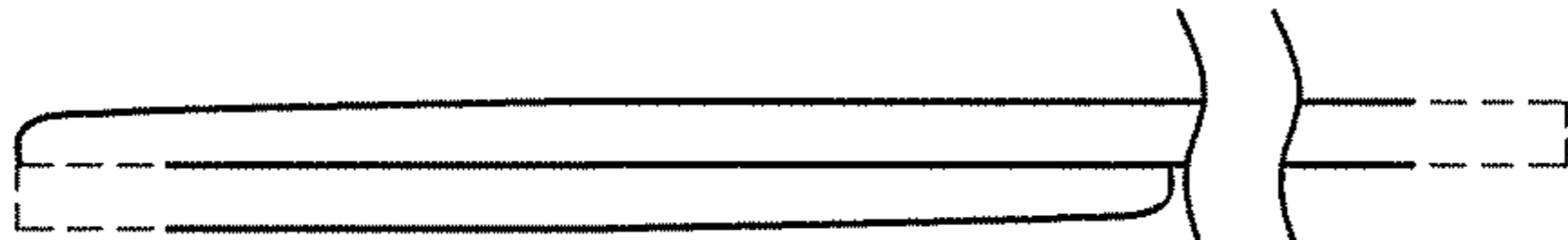


FIG. 7

FIG. 8