



US00D655998S

(12) **United States Design Patent**  
**Malone et al.**

(10) **Patent No.:** **US D655,998 S**  
(45) **Date of Patent:** **\*\* Mar. 20, 2012**

(54) **DOUBLE WASHER PULL PLUG**  
(75) Inventors: **Christopher Malone**, Franksville, WI  
(US); **Kissak Sarajian**, Franksville, WI  
(US); **Todd Schuh**, Franksville, WI (US)  
(73) Assignee: **Engineered Products and Services,**  
**Inc.**, Franksville, WI (US)  
(\*\*) Term: **14 Years**

D426,457 S \* 6/2000 Sato et al. .... D8/382  
D429,627 S \* 8/2000 Gradwell ..... D8/382  
6,230,958 B1 \* 5/2001 Coletta et al. .... 228/114.5  
6,253,987 B1 \* 7/2001 Coletta et al. .... 228/114.5  
6,419,104 B1 7/2002 Sarajian  
D461,691 S \* 8/2002 Huang et al. .... D7/693  
D491,325 S \* 6/2004 Hawkins ..... D32/14  
D498,134 S \* 11/2004 Fujiwara ..... D8/354  
6,883,546 B1 4/2005 Kobylinski  
7,422,785 B2 \* 9/2008 Ogawa et al. .... 428/139  
7,559,991 B2 \* 7/2009 Burton et al. .... 118/641

(Continued)

(21) Appl. No.: **29/359,501**

(22) Filed: **Apr. 12, 2010**

(51) **LOC (9) Cl.** ..... **08-08**

(52) **U.S. Cl.** ..... **D8/349; D8/382**

(58) **Field of Classification Search** ..... D8/349,  
D8/354, 382, 394; 118/505; 220/801, 287;  
139/89; 24/625; 228/114.5; D24/130; D32/14,  
D32/35; 427/272; D15/138, 144, 144.2  
See application file for complete search history.

(56) **References Cited**

**U.S. PATENT DOCUMENTS**

1,730,202 A \* 10/1929 Geyer ..... 220/801  
2,363,660 A \* 11/1944 Duggan ..... 118/505  
4,130,232 A \* 12/1978 Anderson ..... 228/57  
4,268,349 A \* 5/1981 Hacke et al. .... 216/48  
4,400,123 A 8/1983 Dunegan  
4,640,434 A \* 2/1987 Johnsen et al. .... 220/287  
4,685,173 A \* 8/1987 Pavur ..... 16/2.2  
D291,933 S \* 9/1987 Weiss ..... D32/14  
4,871,585 A \* 10/1989 Kano et al. .... 427/98.5  
4,940,135 A \* 7/1990 Hall ..... 206/3  
D315,621 S \* 3/1991 Laymon et al. .... D32/14  
5,270,085 A \* 12/1993 Horiki et al. .... 428/34.1  
5,328,723 A \* 7/1994 Horiki et al. .... 427/272  
5,356,255 A 10/1994 Takahashi et al.  
D360,820 S \* 8/1995 Haase ..... D8/356  
5,753,042 A \* 5/1998 Bauer ..... 118/504  
5,788,774 A \* 8/1998 Mccumiskey et al. .... 118/505  
D404,178 S \* 1/1999 Wetzler ..... D32/35

**OTHER PUBLICATIONS**

Echo, Weld Nut Plugs 600F (315C), © 2011 Echo Engineering & Production SuUplies, Inc., [online], [site visited Dec. 2, 2011]. Available from Internet, <URL: <http://www.echosupply.com/finishing-supplies-products.aspx?ID=91>>.\*

(Continued)

*Primary Examiner* — Jeffrey D Asch

(74) *Attorney, Agent, or Firm* — Michael Best & Friedrich LLP

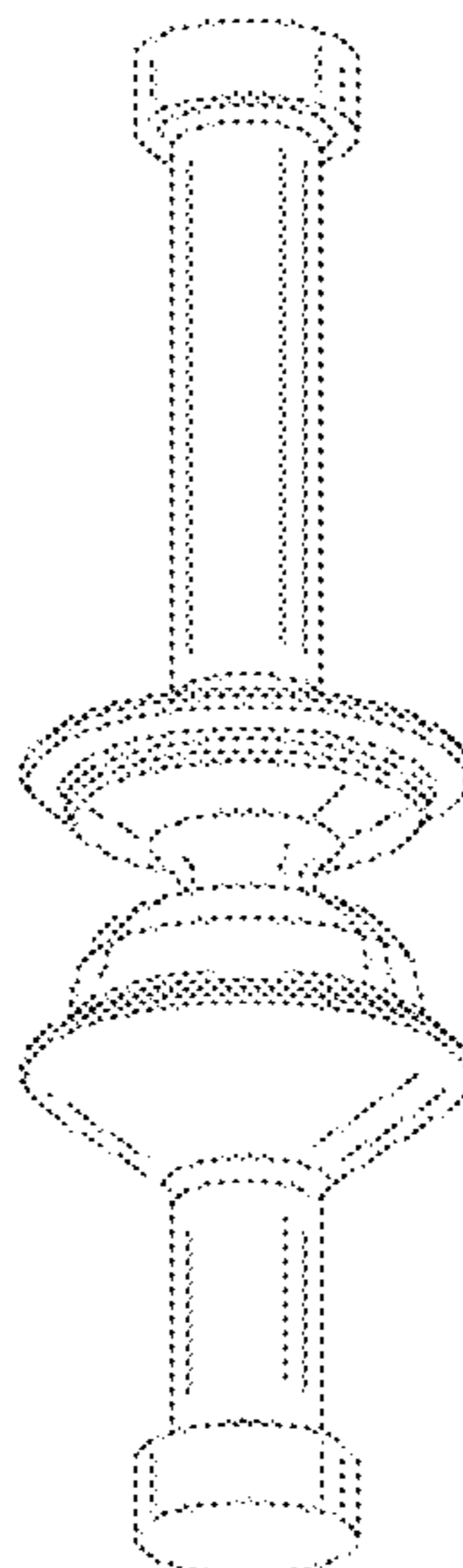
(57) **CLAIM**

The ornamental design for a double washer pull plug, as shown and described.

**DESCRIPTION**

FIG. 1 is a perspective view of a double washer pull plug showing our new design;  
FIG. 2 is a typical elevational view thereof, which, since the design is circular, shows the appearance at any point around the periphery;  
FIG. 3 is a sectional view thereof; and,  
FIG. 4 is a sectional view thereof inserted into a weld nut. The weld nut is shown in broken lines for illustrative purposes only and forms no part of the claimed design.

**1 Claim, 4 Drawing Sheets**



# US D655,998 S

Page 2

---

## U.S. PATENT DOCUMENTS

2004/0056039 A1 3/2004 Sarajian  
2007/0205207 A1 9/2007 Dornbach  
2011/0247551 A1\* 10/2011 Malone et al. .... 118/505

## OTHER PUBLICATIONS

Component force, Weld Nut Plugs, © 2011 Component Force USA  
LLC, [online], [site visited Dec. 2, 2011]. Available from Internet,

<URL: <http://www.componentforce.com/category/503/weld-nut-pull-plugs>>.\*

Echo, plugs, earliest posting of <http://www.echosupply.com/Finishing-Supplies.aspx?id=1>, posted Apr. 24, 2010, [online], [site visited Dec. 5, 2011]. Available from Internet, <<http://web.archive.org/web/20100424195625/http://www.echosupply.com/Finishing-Supplies.aspx?id=1>>.\*

\* cited by examiner

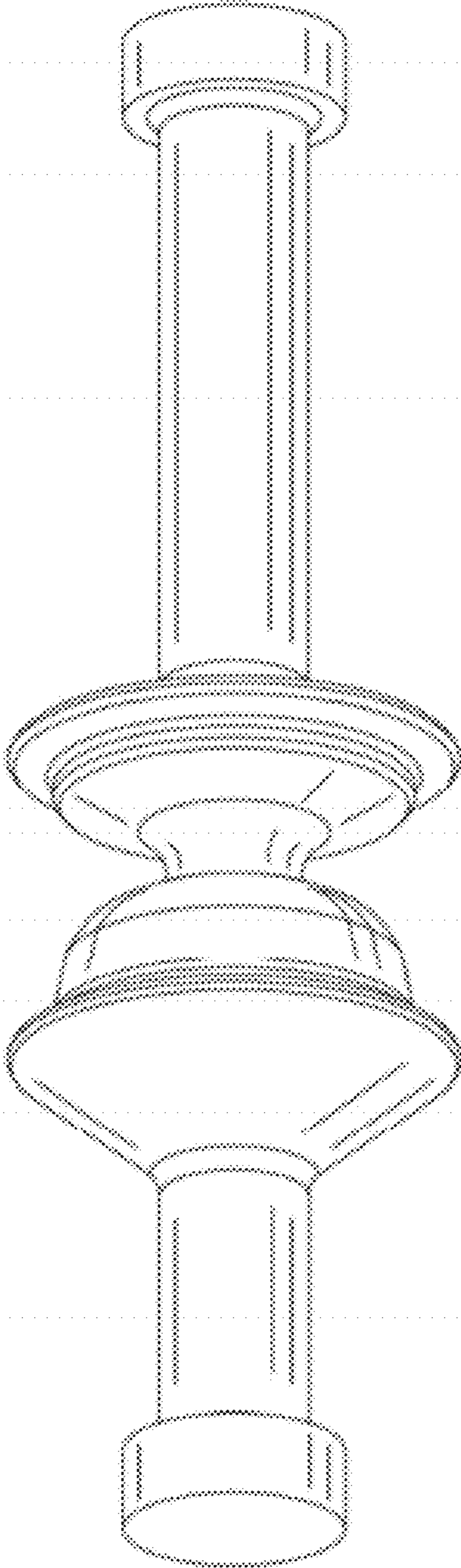


FIG. 1

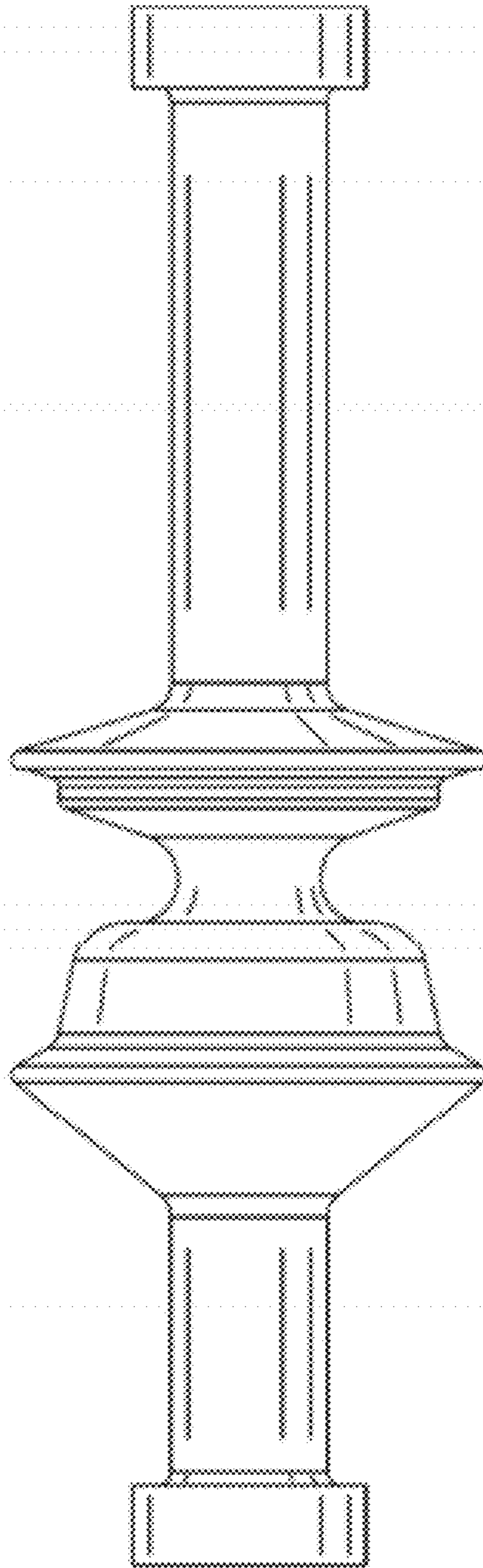


FIG. 2

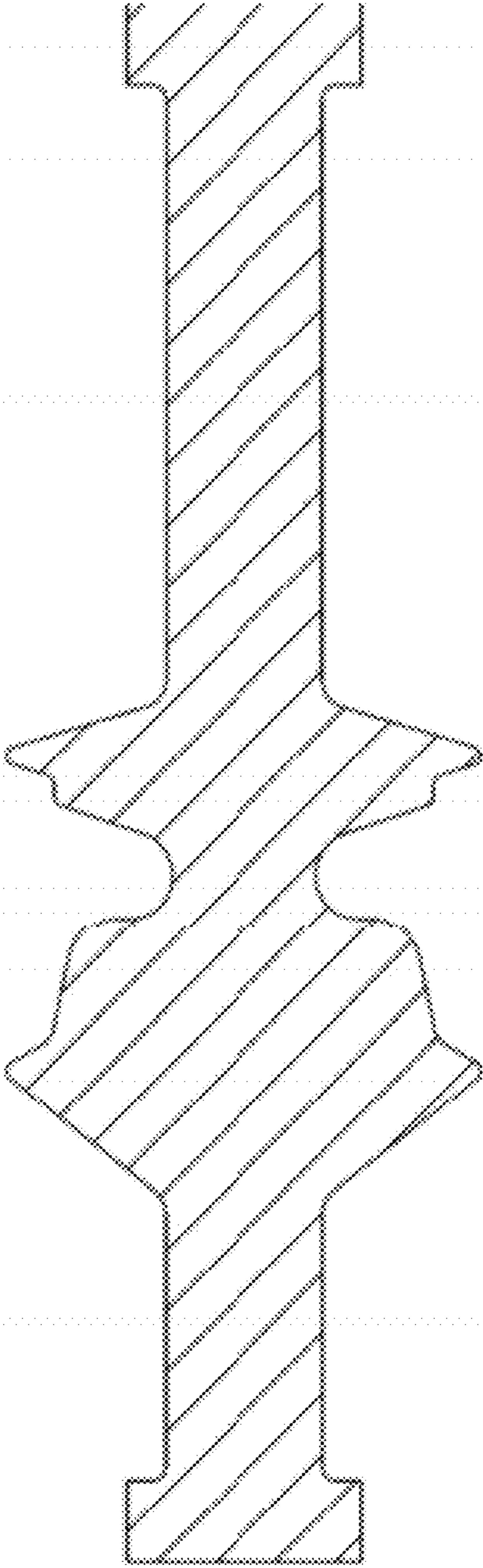


FIG. 3



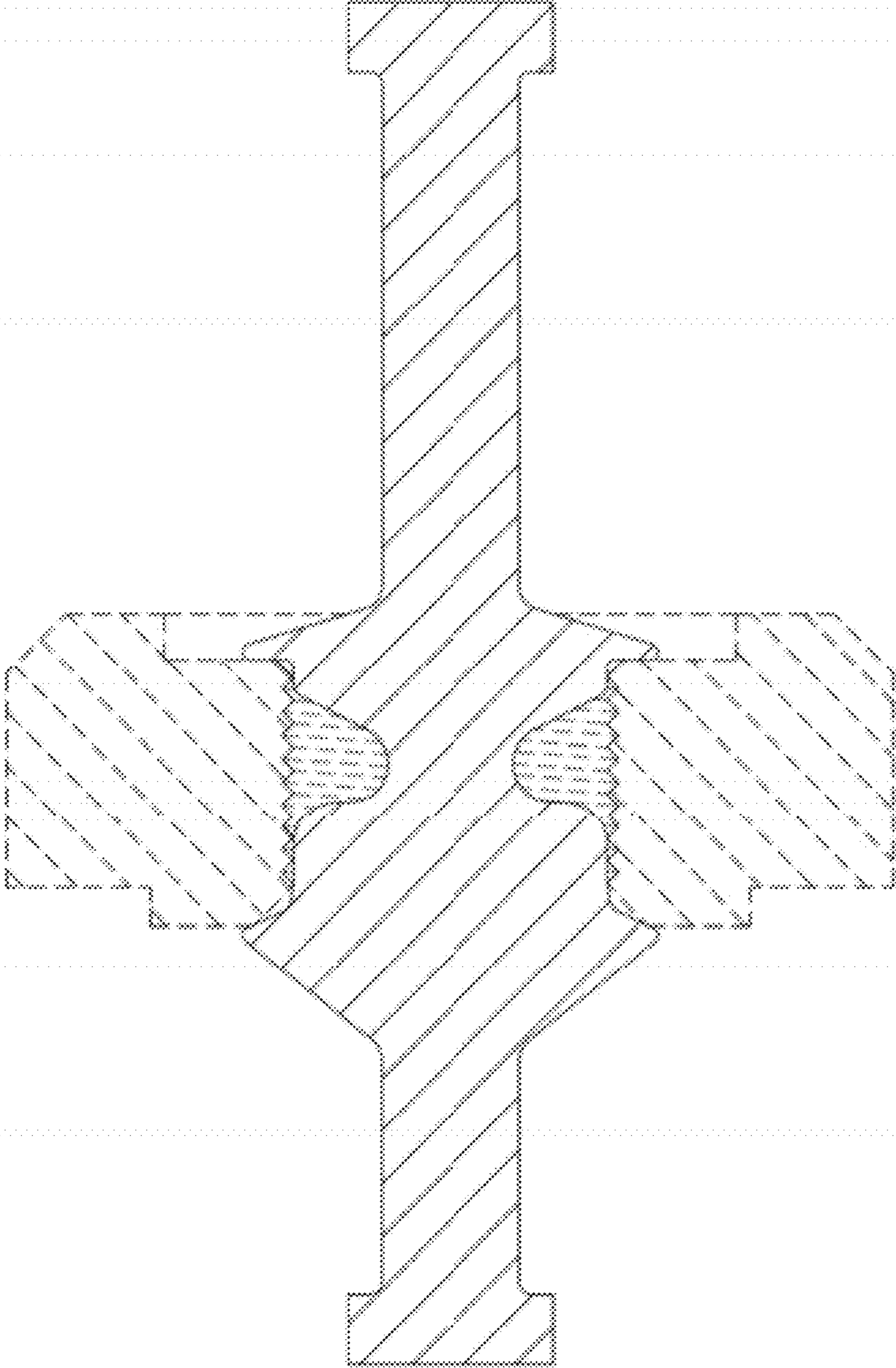


FIG. 4