



US00D655997S

(12) **United States Design Patent**  
**Merget**

(10) **Patent No.:** **US D655,997 S**  
(45) **Date of Patent:** **\*\* Mar. 20, 2012**

(54) **GATE OPENER**

(76) Inventor: **Michael Merget**, Marble Hill, MO (US)

(\*\*) Term: **14 Years**

(21) Appl. No.: **29/386,169**

(22) Filed: **Feb. 25, 2011**

(51) **LOC (9) Cl.** ..... **08-07**

(52) **U.S. Cl.** ..... **D8/339; D8/331; D8/336**

(58) **Field of Classification Search** ..... D8/330,  
D8/331, 336, 338, 339, 341, 344, 349, 323;  
70/57, 57.1, 266, 431; 292/92, 289, 290,  
292/DIG. 29; 16/86.1, 86.2, 239; 49/208,  
49/236, 246; 160/368.1

See application file for complete search history.

(56) **References Cited**

**U.S. PATENT DOCUMENTS**

2,592,891	A *	4/1952	Hall	49/340
4,330,958	A *	5/1982	Richmond	49/280
4,735,018	A *	4/1988	Duncan et al.	49/340
4,796,385	A *	1/1989	Tyler	49/280
5,050,344	A *	9/1991	Skeem	49/237
5,867,939	A *	2/1999	Merrill	49/340
6,408,571	B1 *	6/2002	Trott	49/263
6,611,992	B1 *	9/2003	Arnaud	16/239
6,935,000	B1 *	8/2005	Arnaud	16/239
7,367,161	B1 *	5/2008	Jones	49/334
D614,014	S *	4/2010	Bo	D8/331
D639,138	S *	6/2011	Gordon	D8/330

\* cited by examiner

*Primary Examiner* — Prabhakar Deshmukh

(74) *Attorney, Agent, or Firm* — QuickPatents, Inc.; Kevin Prince

(57) **CLAIM**

The ornamental design for a gate opener, as shown and described.

**DESCRIPTION**

FIG. 1 is perspective view of a gate opener showing my new design, shown in an assembled position and its environmental use;

FIG. 2 is a rear perspective view thereof of an upper hinge thereof;

FIG. 3 is a front elevational view of FIG. 2;

FIG. 4 is a rear elevational view of FIG. 2;

FIG. 5 is a right-side elevational view of FIG. 2;

FIG. 6 is a left-side elevational view of FIG. 2;

FIG. 7 is a top plan view of FIG. 2;

FIG. 8 is a bottom plan view of FIG. 2;

FIG. 9 is a front perspective view thereof of an upper socket hinge thereof;

FIG. 10 is a front elevational view of FIG. 9;

FIG. 11 is a right-side elevational view of FIG. 9;

FIG. 12 is a rear elevational view of FIG. 9;

FIG. 13 is a left-side elevational view of FIG. 9;

FIG. 14 is a top plan view of FIG. 9;

FIG. 15 is a bottom plan view of FIG. 9;

FIG. 16 is a rear perspective view thereof of a lower hinge plate thereof;

FIG. 17 is a rear elevational view of FIG. 16;

FIG. 18 is a front elevational view of FIG. 16;

FIG. 19 is a right-side elevational view of FIG. 16;

FIG. 20 is a left-side elevational view of FIG. 16;

FIG. 21 is a top plan view of FIG. 16;

FIG. 22 is a bottom plan view of FIG. 16;

FIG. 23 is a front perspective view thereof of a lower hinge thereof;

FIG. 24 is a front elevational view of FIG. 23;

FIG. 25 is a rear elevational view of FIG. 23;

FIG. 26 is a right-side elevational view of FIG. 23;

FIG. 27 is a left-side elevational view of FIG. 23;

FIG. 28 is a top plan view of FIG. 23;

FIG. 29 is a bottom plan view of FIG. 23;

FIG. 30 is a front perspective view thereof of a bottom bumper thereof;

FIG. 31 is a front elevational view of FIG. 30;

FIG. 32 is a rear elevational view of FIG. 30;

FIG. 33 is a right-side elevational view of FIG. 30;

FIG. 34 is a left-side elevational view of FIG. 30;

FIG. 35 is a top plan view of FIG. 30;

FIG. 36 is a bottom plan view of FIG. 30;

FIG. 37 is a front perspective view thereof of a top bumper thereof;

FIG. 38 is a front elevational view of FIG. 37;

FIG. 39 is a rear elevational view of FIG. 37;

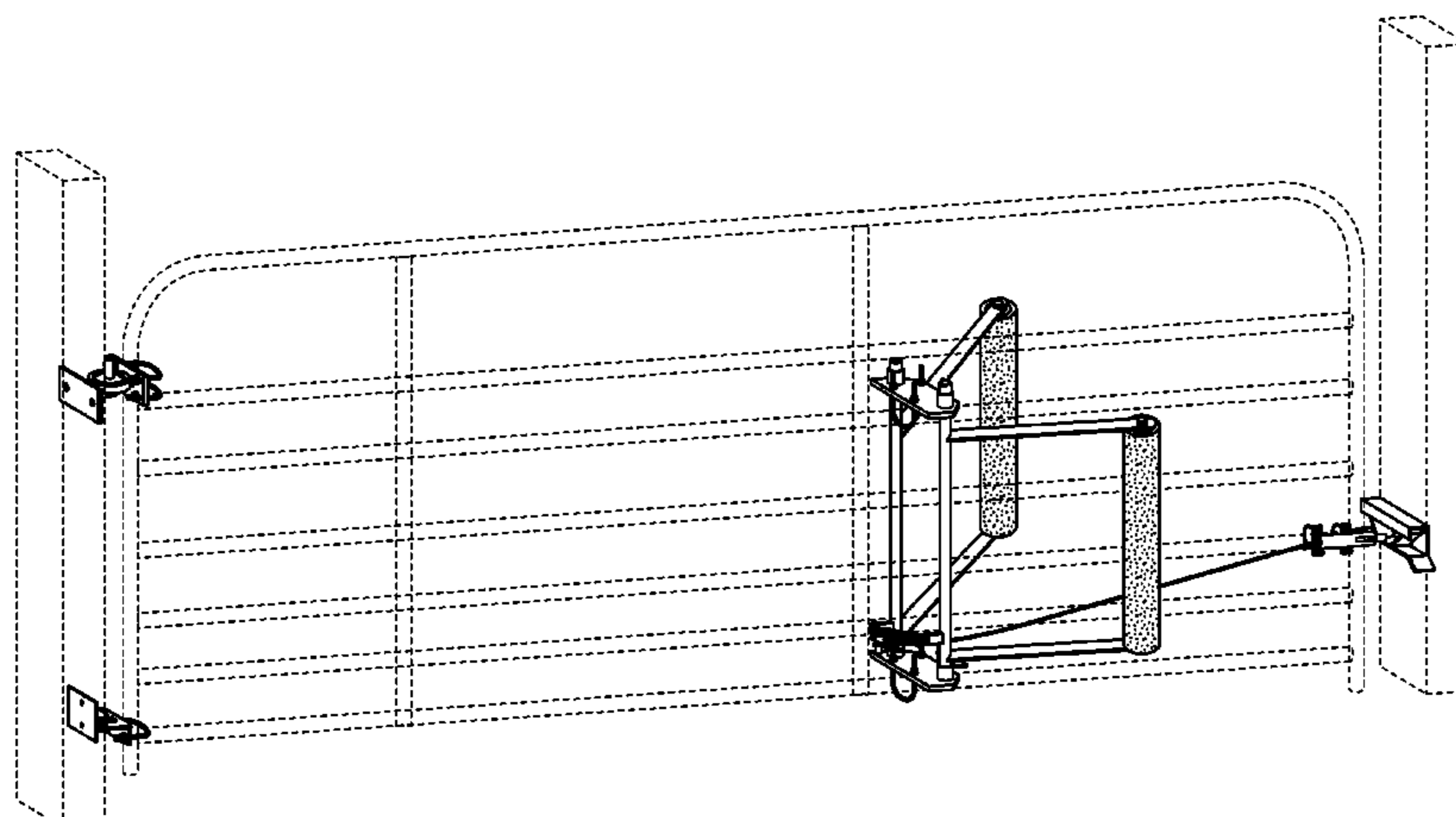


FIG. 40 is a right-side elevational view of FIG. 37;  
FIG. 41 is a left-side elevational view of FIG. 37;  
FIG. 42 is a top plan view of FIG. 37;  
FIG. 43 is a bottom plan view of FIG. 37;  
FIG. 44 is a front perspective view thereof of a bumper arm thereof;  
FIG. 45 is a rear elevational view of FIG. 44;  
FIG. 46 is a front elevational view of FIG. 44;  
FIG. 47 is a left-side elevational view of FIG. 44;  
FIG. 48 is a right-side elevational view of FIG. 44;  
FIG. 49 is a top plan view of FIG. 44;  
FIG. 50 is a bottom plan view of FIG. 44;  
FIG. 51 is a front perspective view thereof of a locking pin and housing thereof;  
FIG. 52 is a front elevational view of FIG. 51;  
FIG. 53 is a rear elevational view of FIG. 51;  
FIG. 54 is a left-side elevational view of FIG. 51;

FIG. 55 is a right-side elevational view of FIG. 51;  
FIG. 56 is a top plan view of FIG. 51;  
FIG. 57 is a bottom plan view of FIG. 51;  
FIG. 58 is a front perspective view thereof of a lock housing thereof;  
FIG. 59 is a front elevational view of FIG. 58;  
FIG. 60 is a rear elevational view of FIG. 58;  
FIG. 61 is a right-side elevational view of FIG. 58;  
FIG. 62 is a left-side elevational view of FIG. 58;  
FIG. 63 is a top plan view of FIG. 58; and,  
FIG. 64 is a bottom plan view of FIG. 58.  
The broken lines showing a gate and vertical posts in FIG. 1 depict environmental matter while the invention is in use, and form no part of the claimed design.  
FIGS. 2-64 disclose the enlarged views of various elements of the gate opener shown in FIG. 1.

**1 Claim, 10 Drawing Sheets**

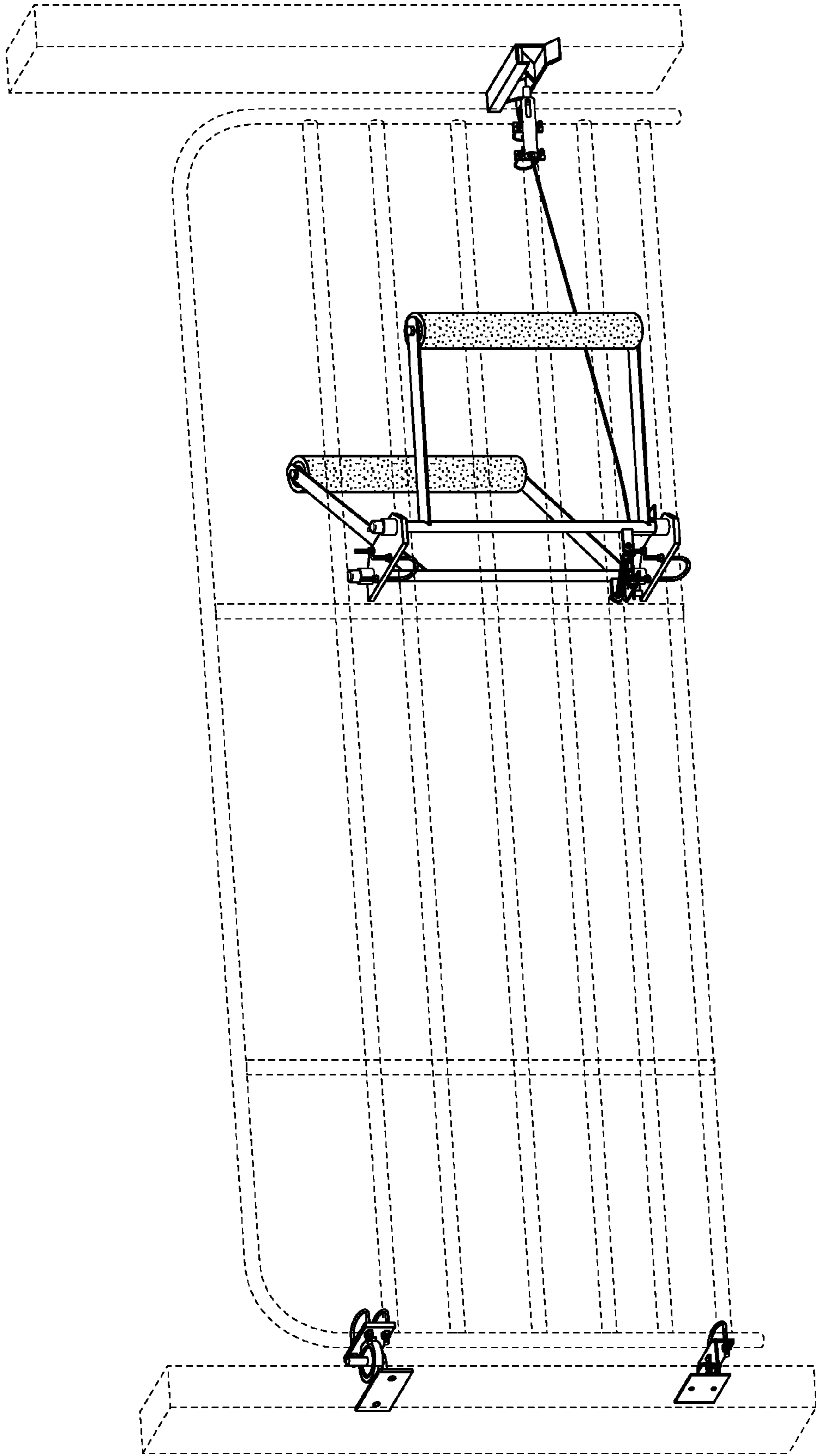


FIG. 1

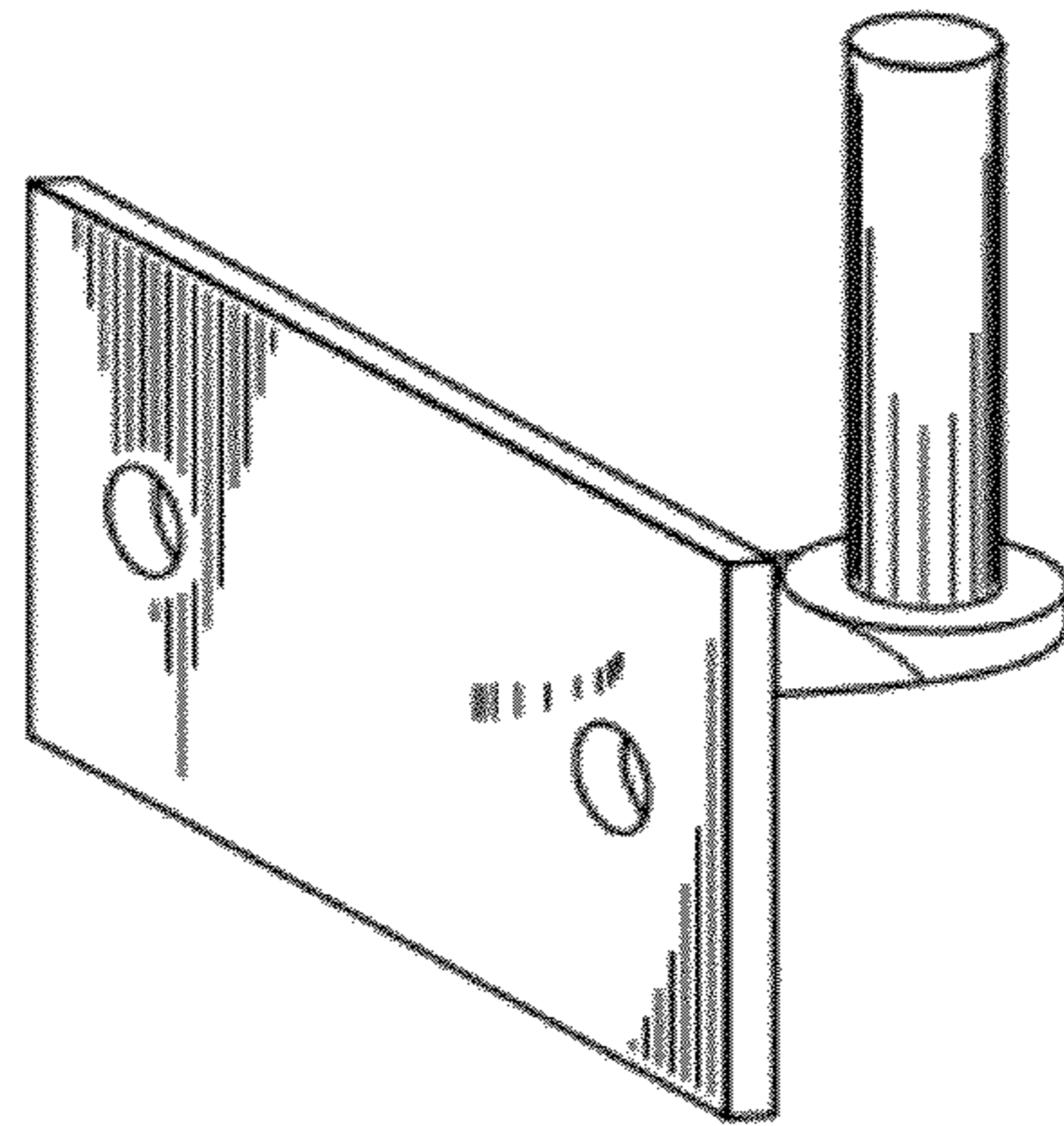


FIG. 2

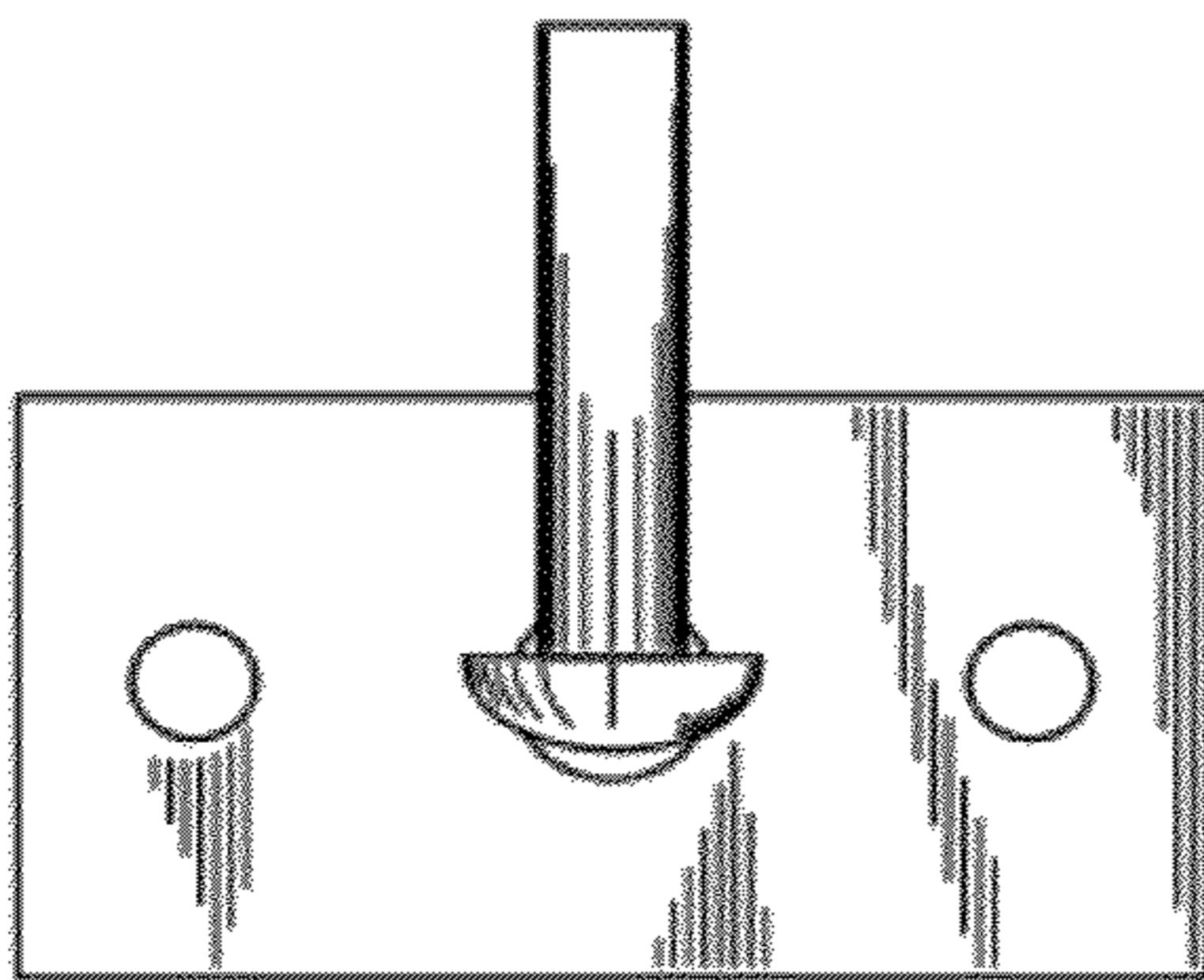


FIG. 3

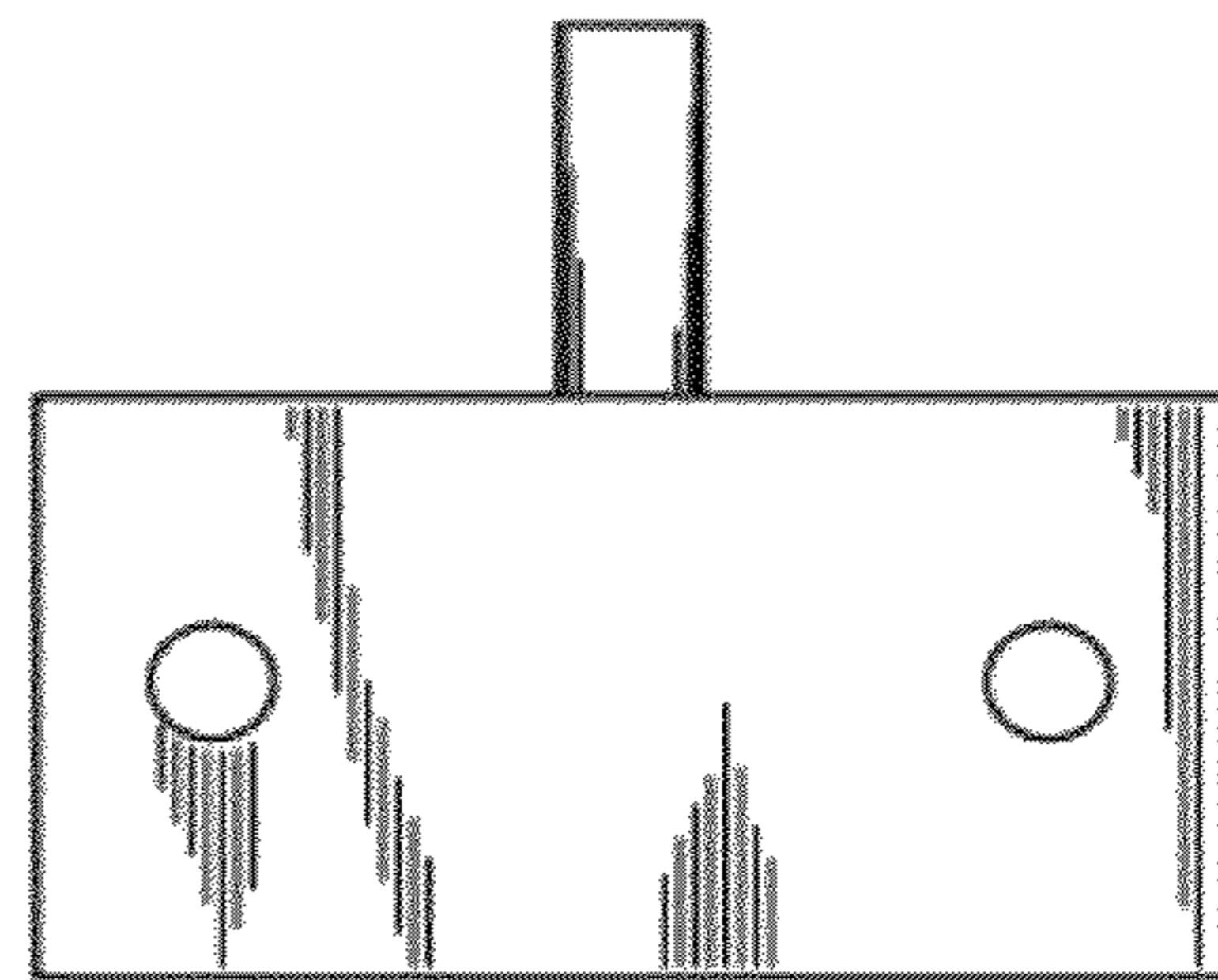


FIG. 4

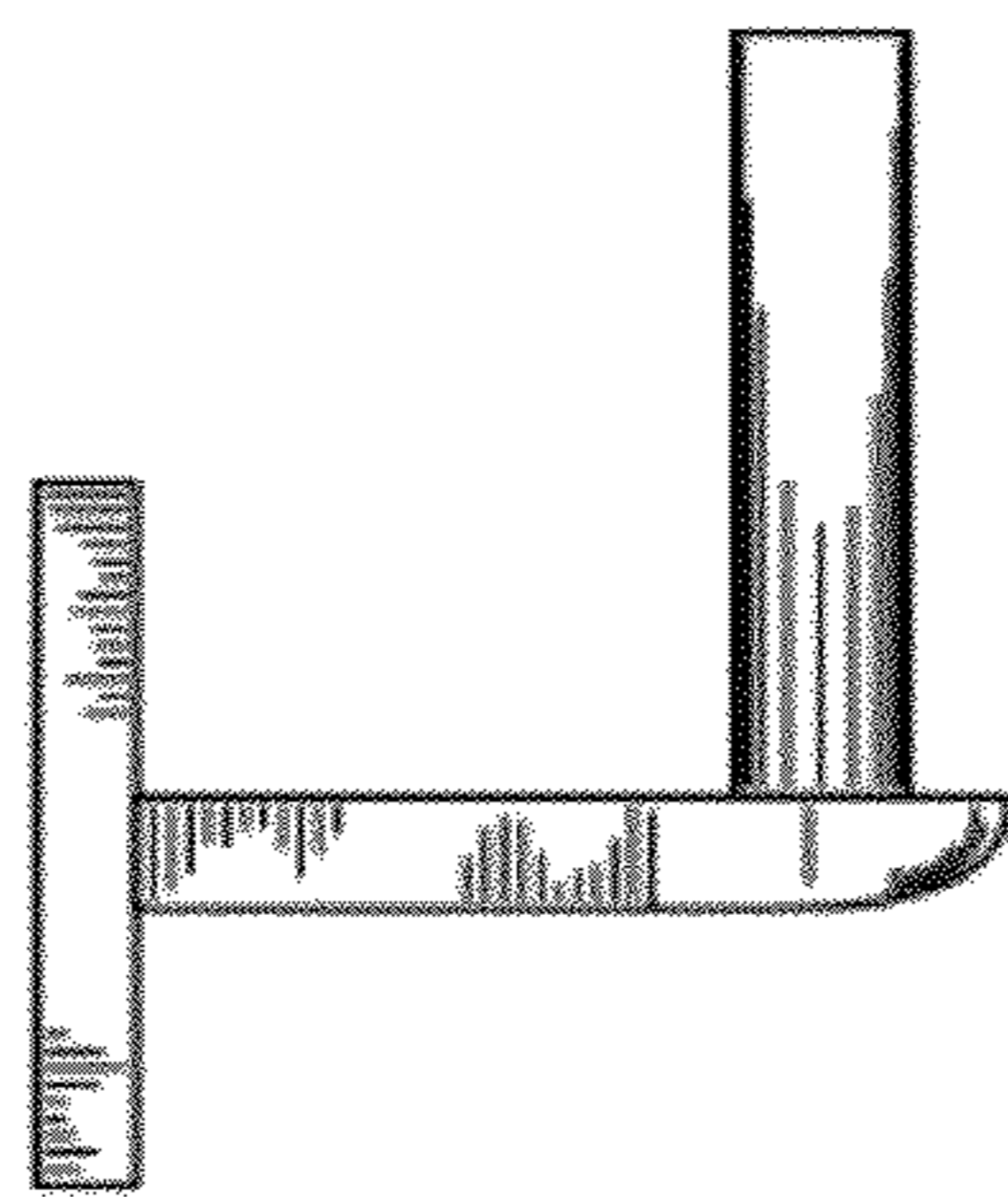


FIG. 5

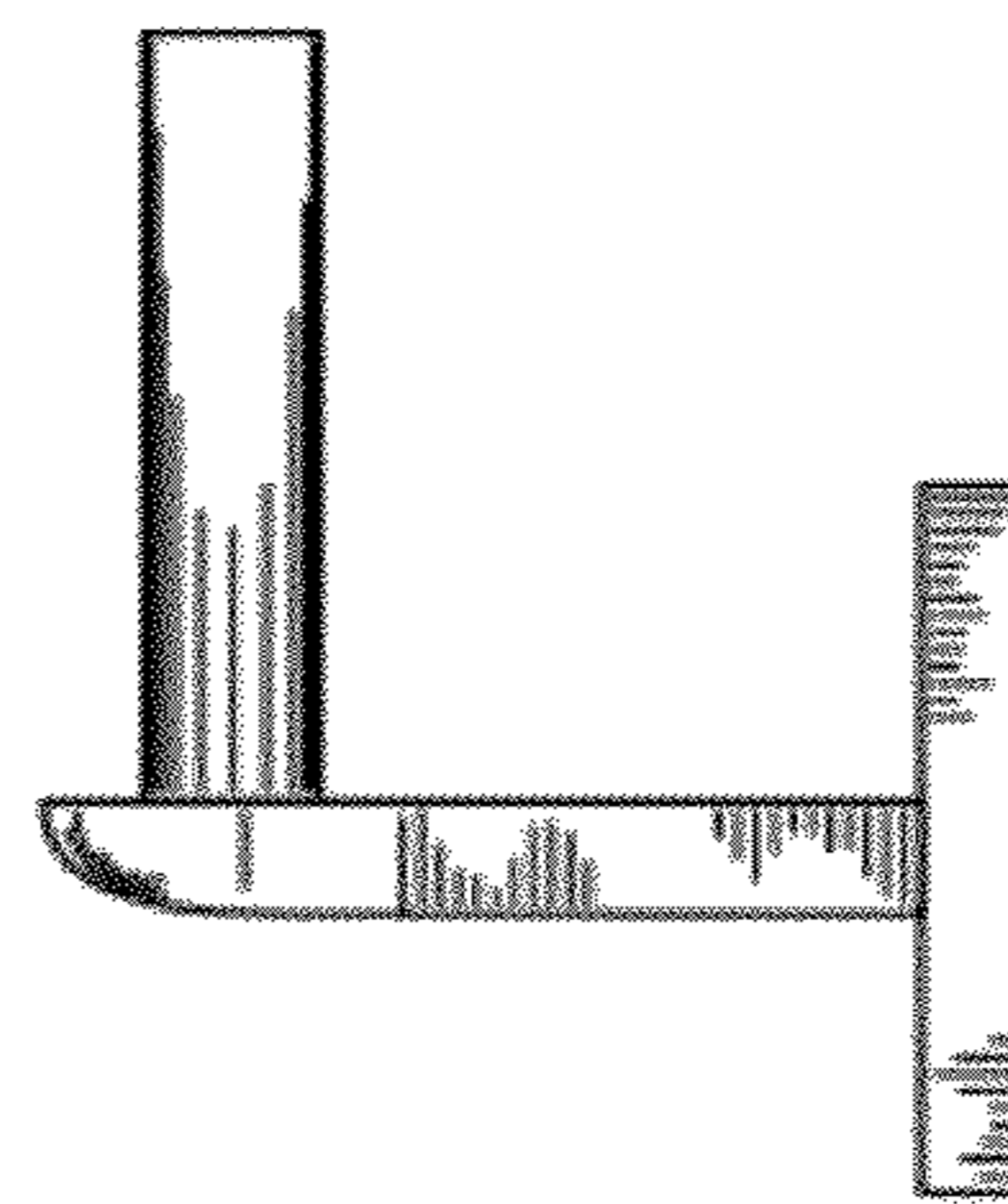


FIG. 6

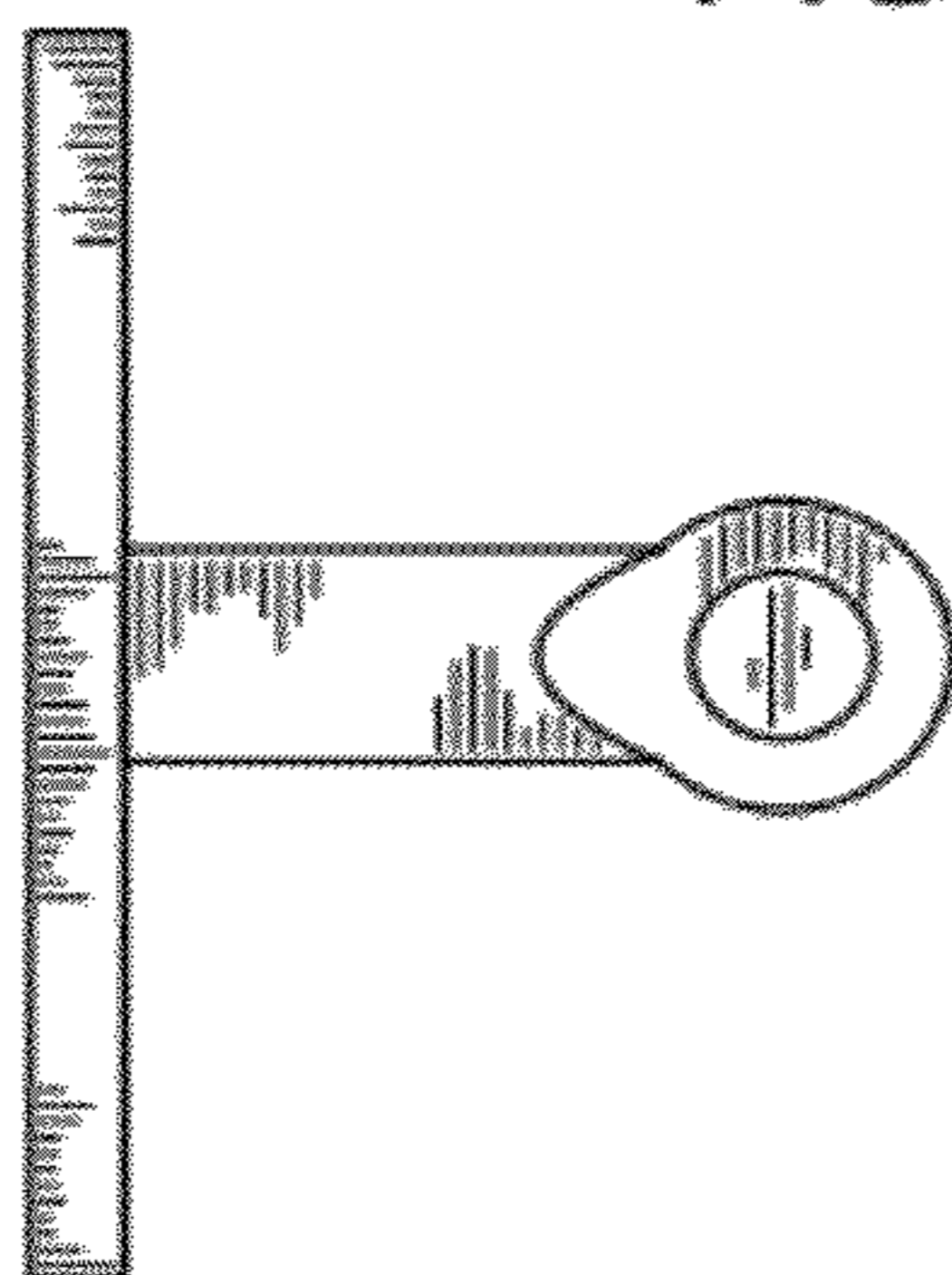


FIG. 7

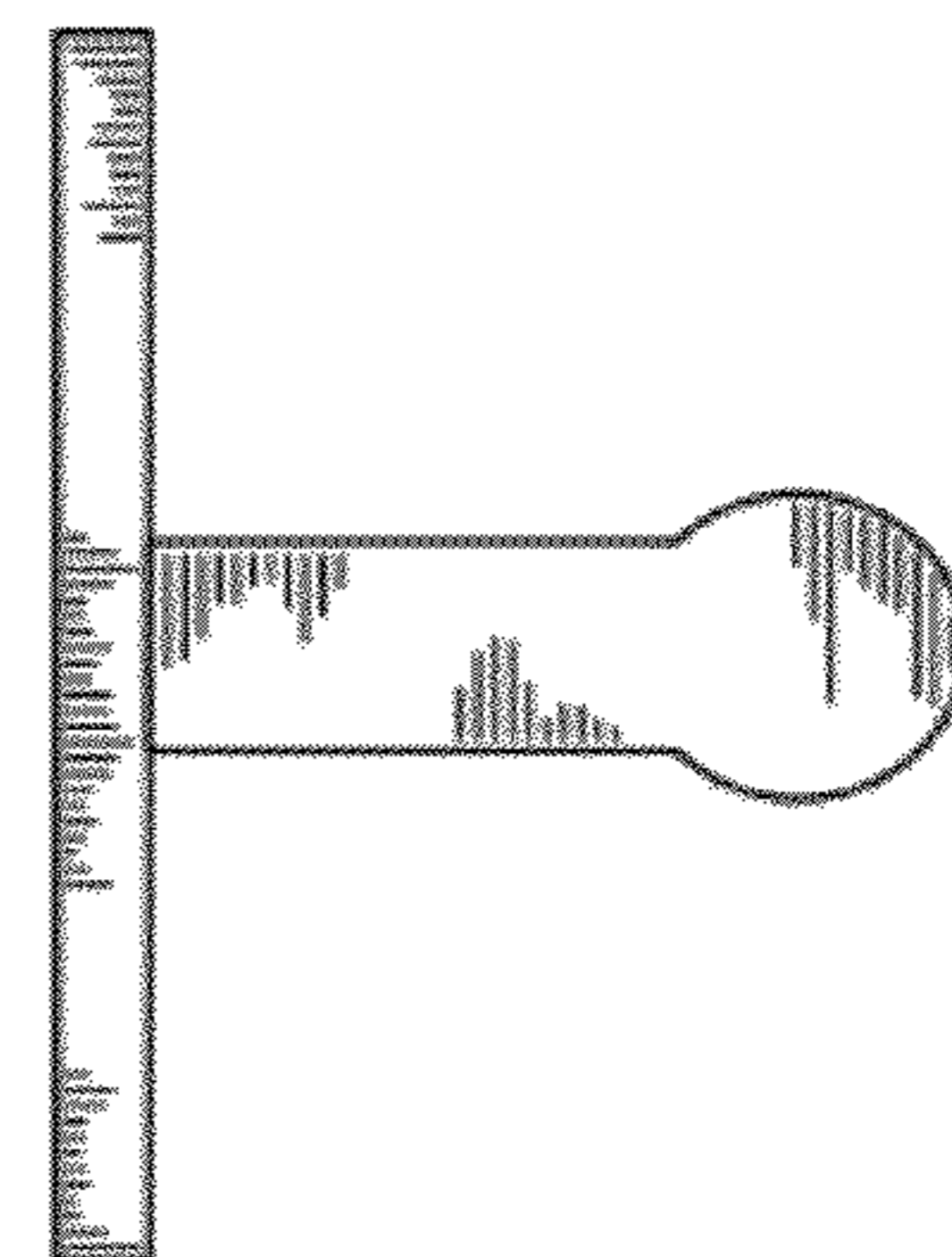


FIG. 8

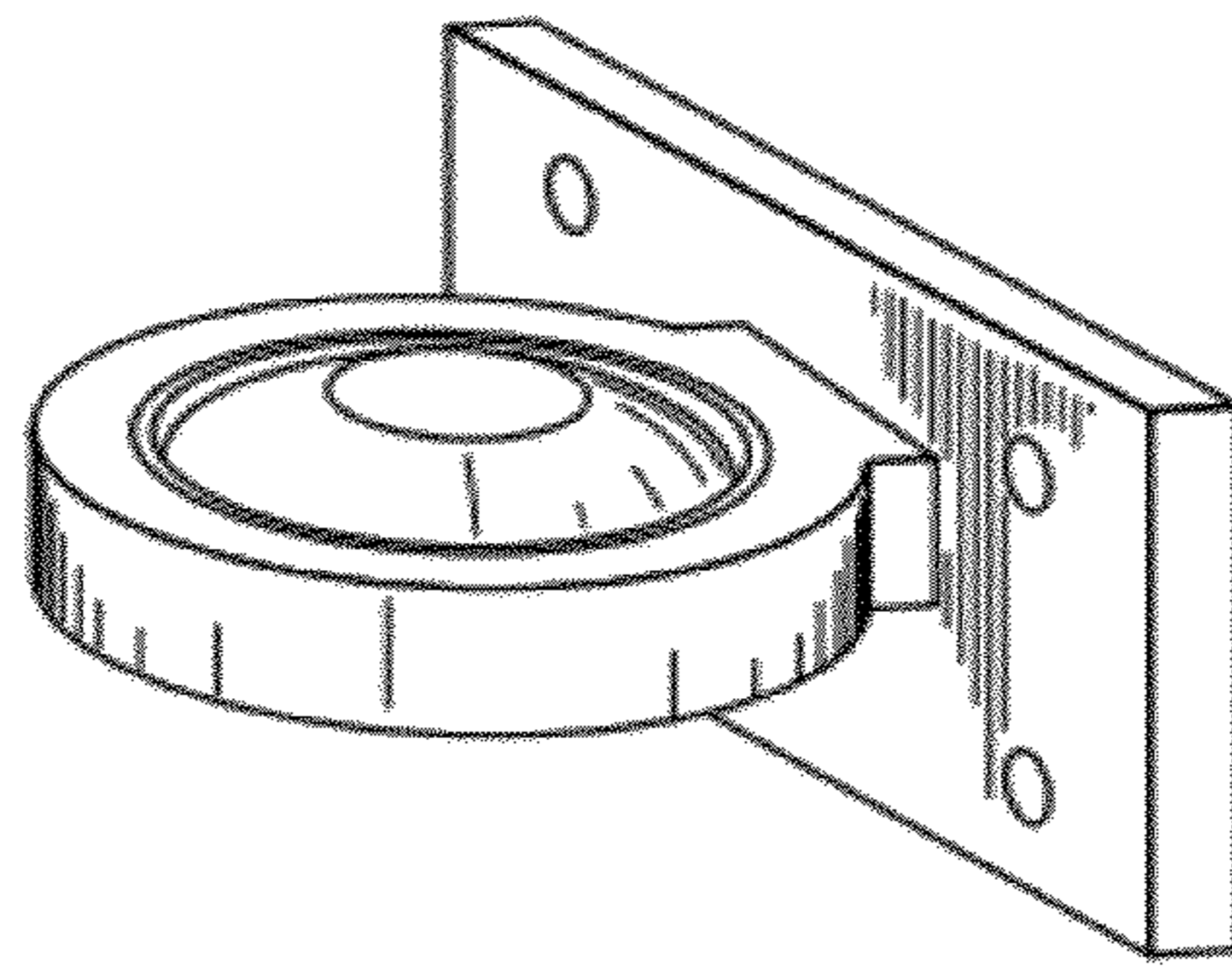


FIG. 9

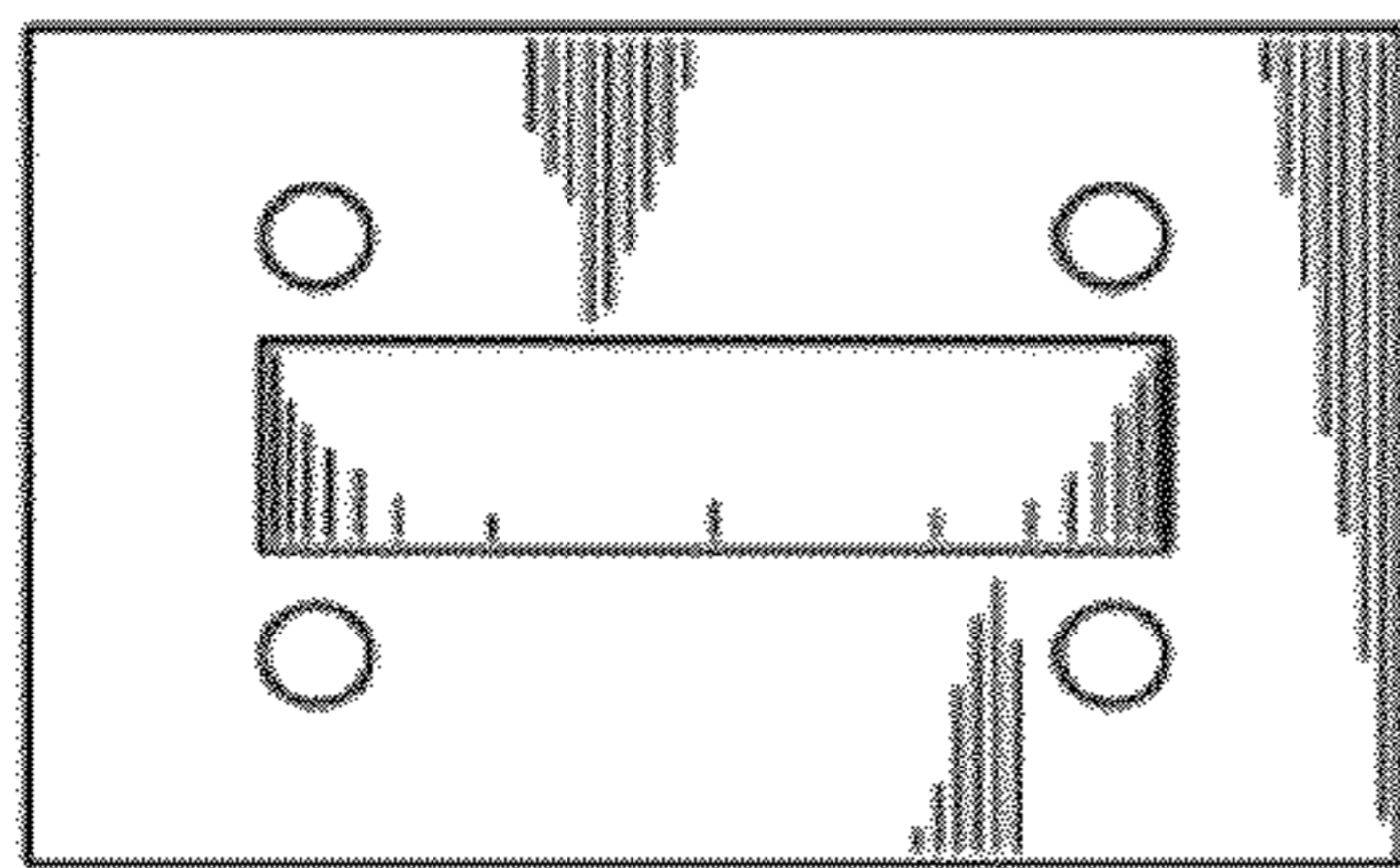


FIG. 10

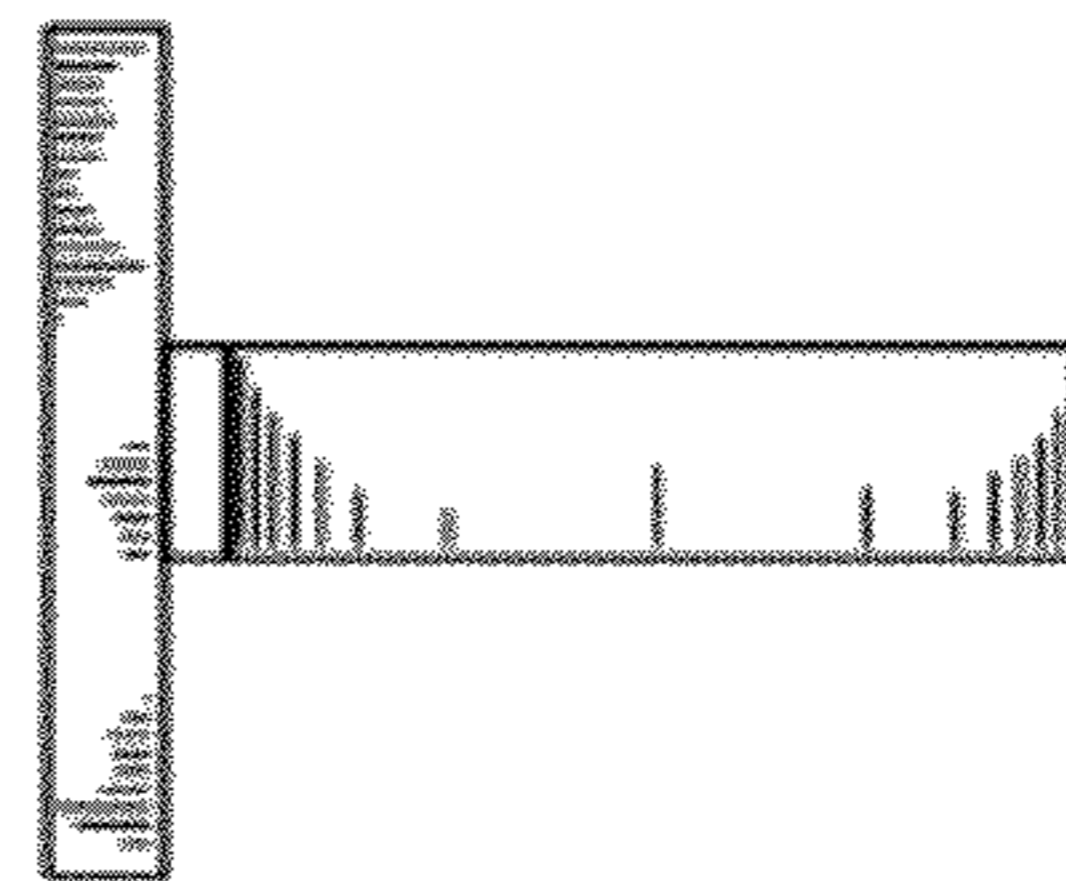


FIG. 11

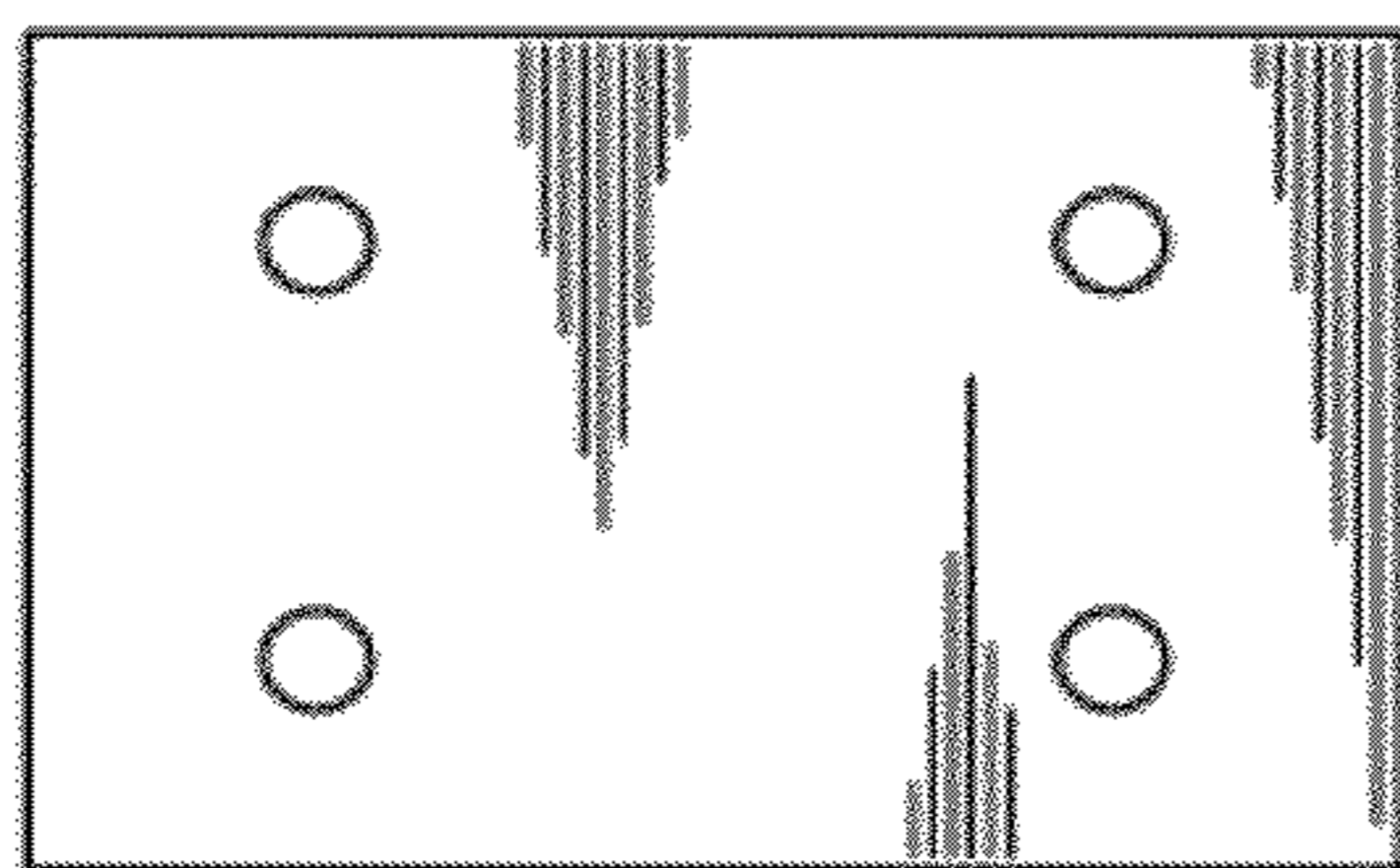


FIG. 12

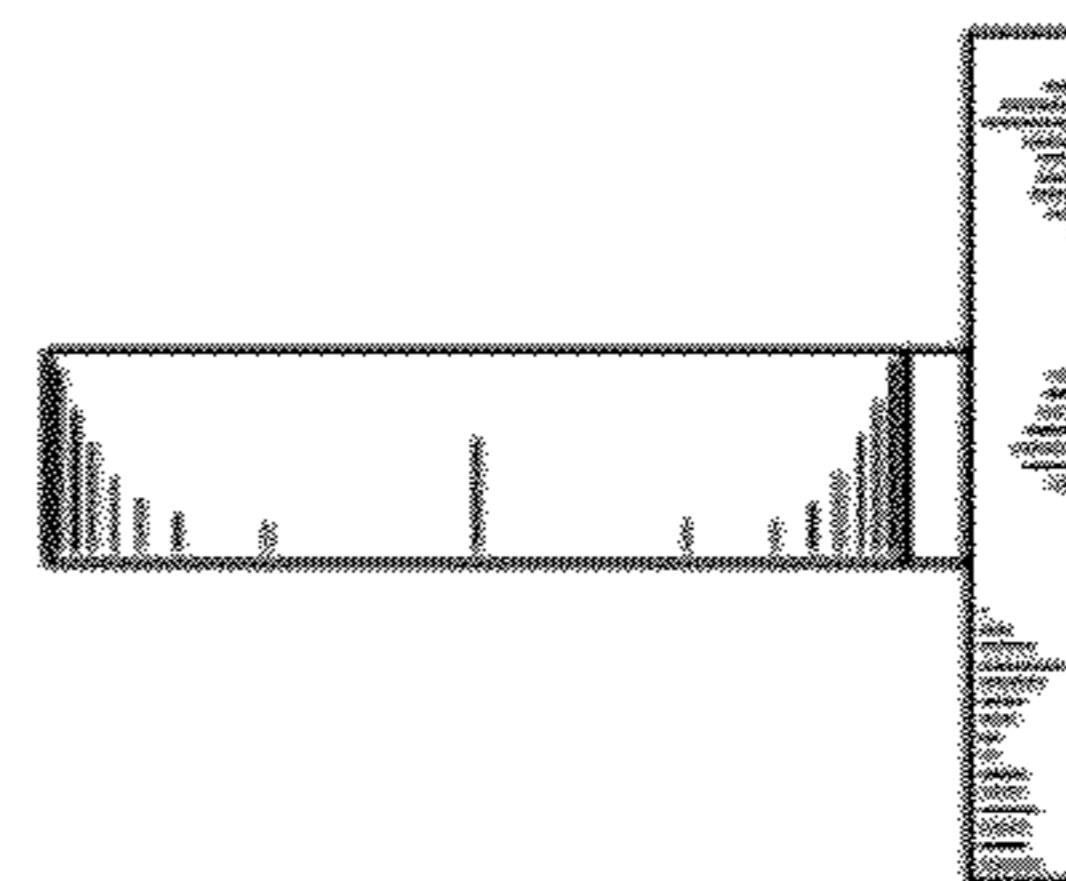


FIG. 13

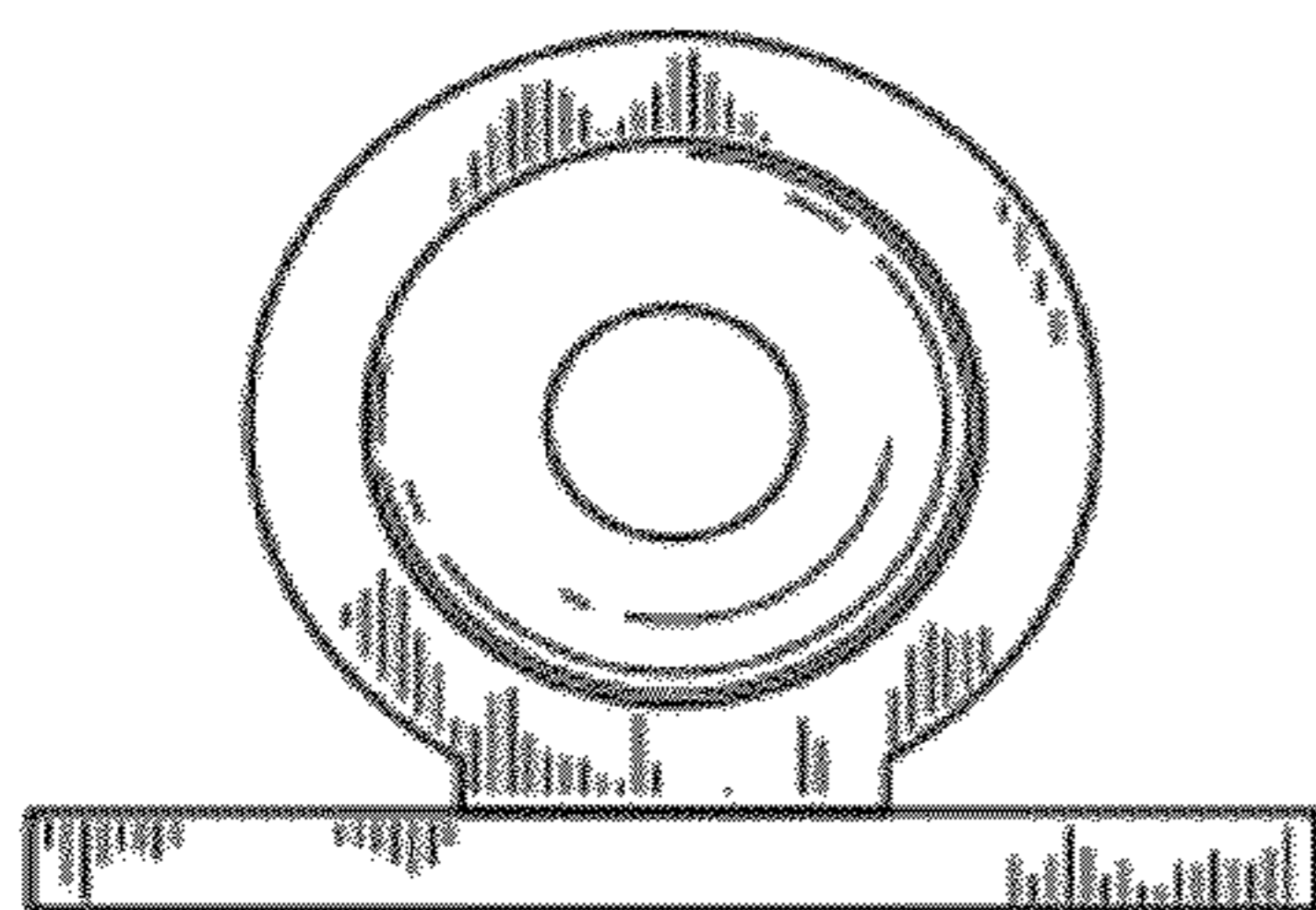


FIG. 14

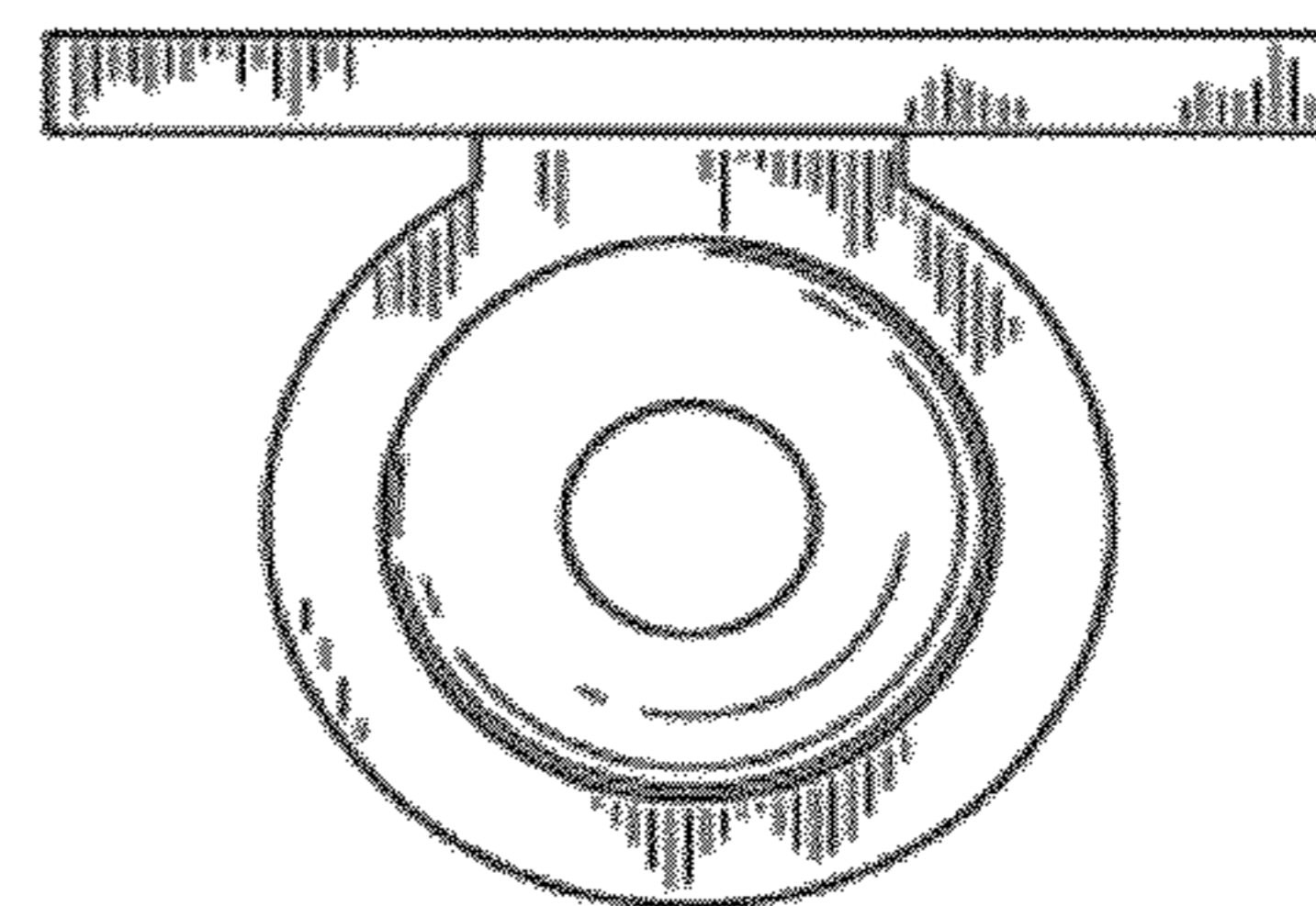


FIG. 15

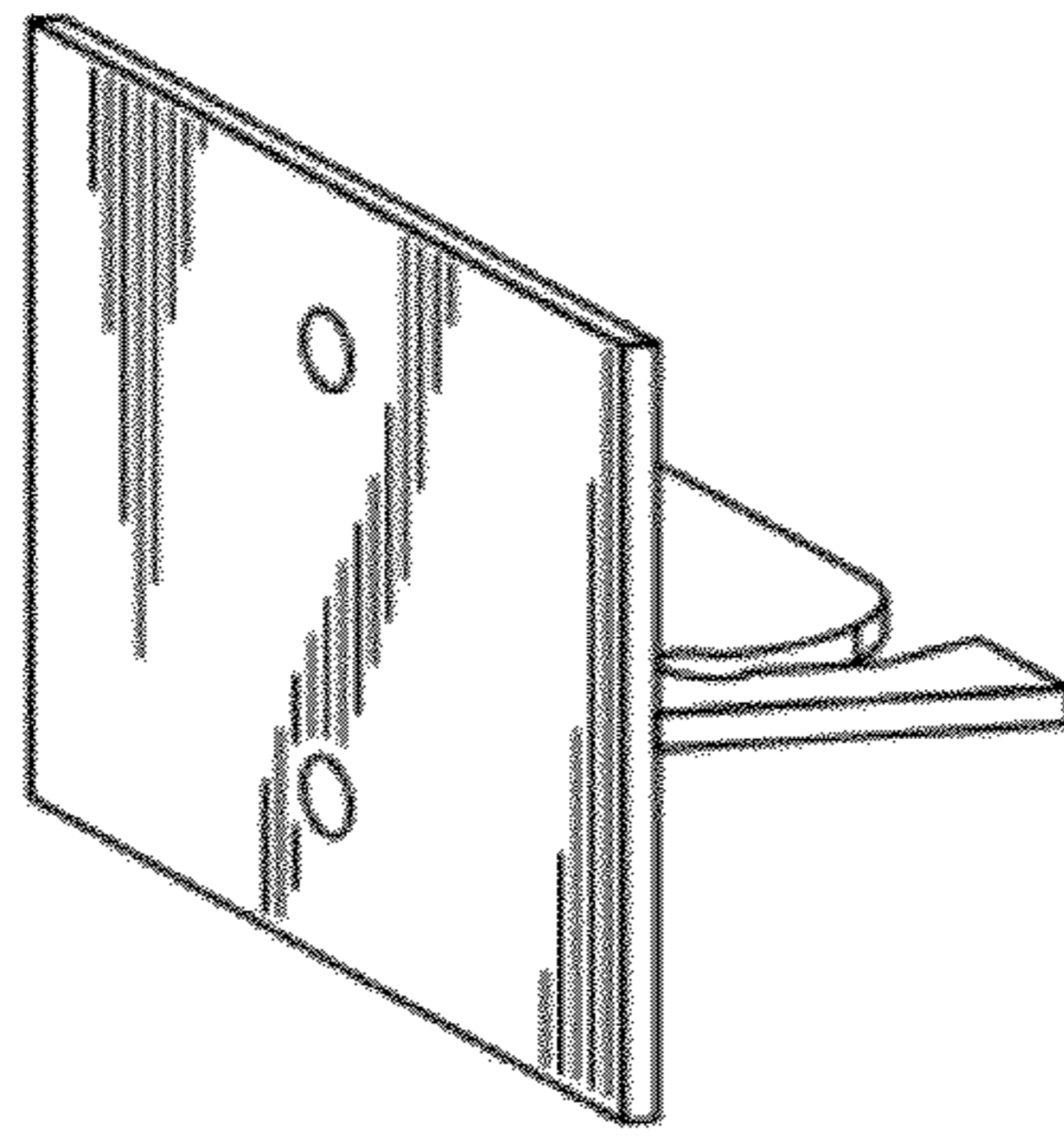


FIG. 16

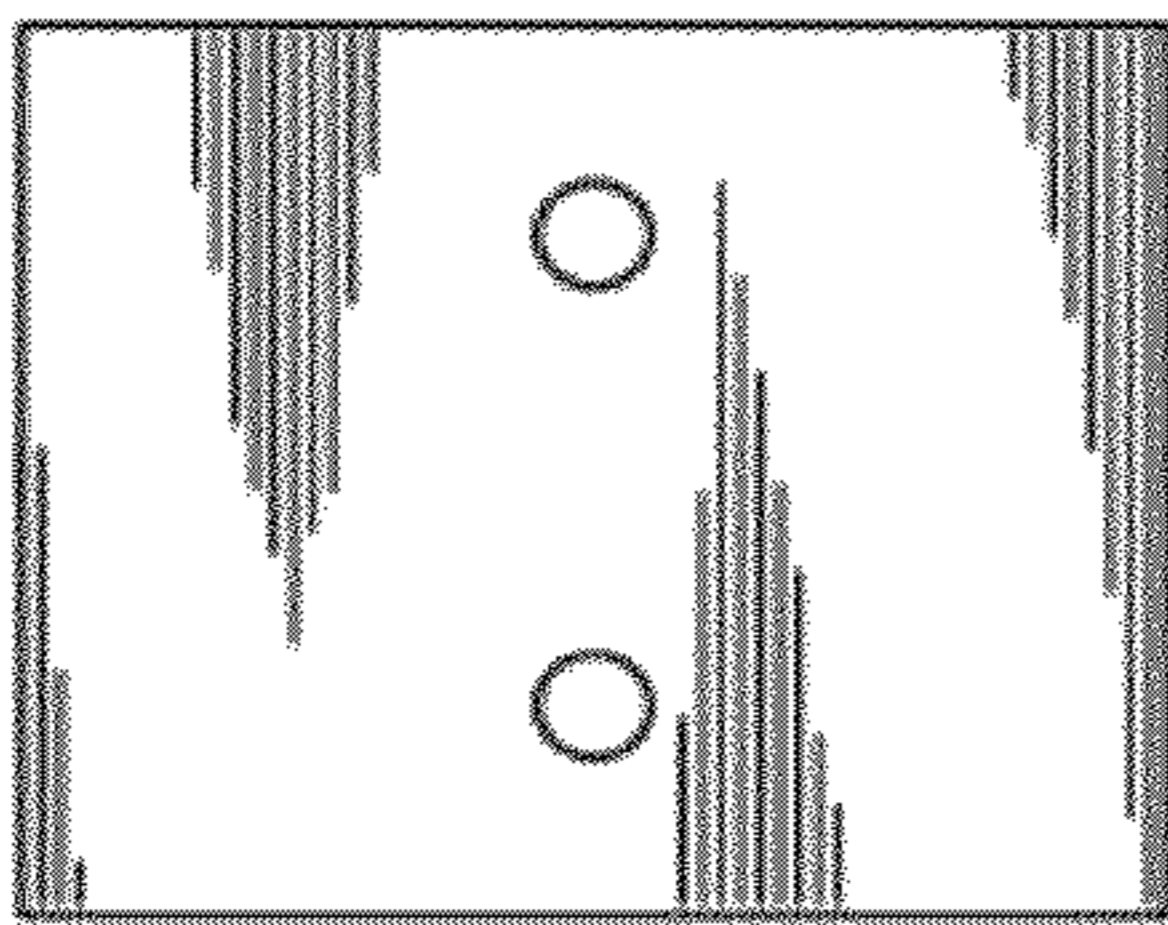


FIG. 17

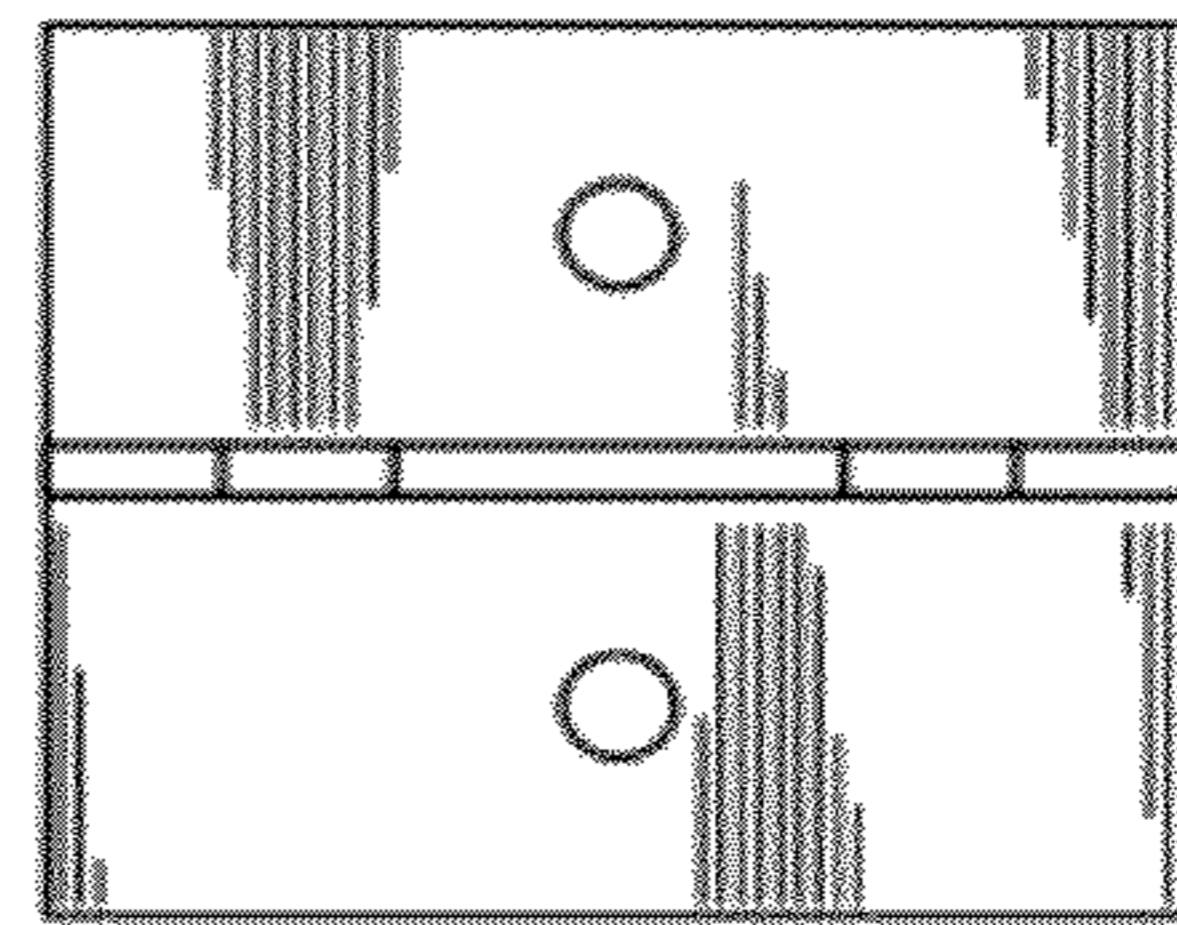


FIG. 18

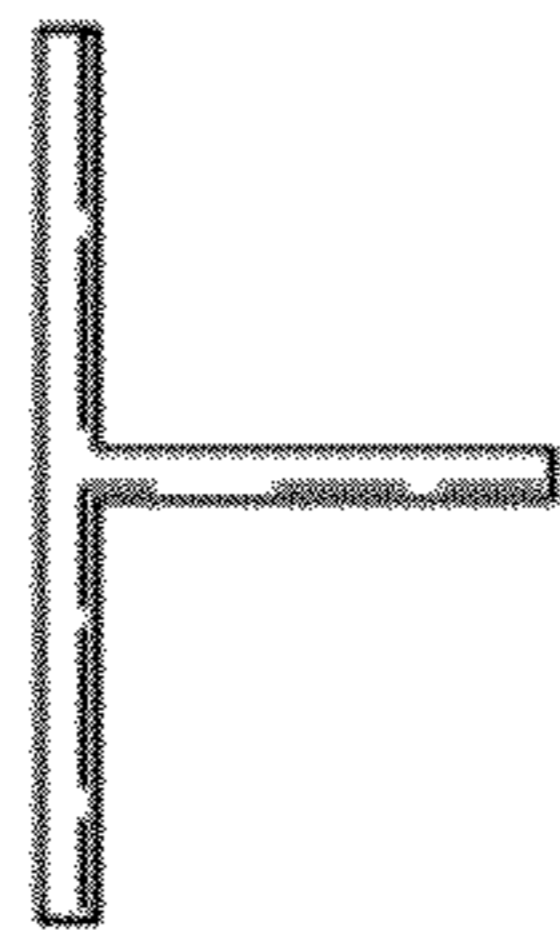


FIG. 19

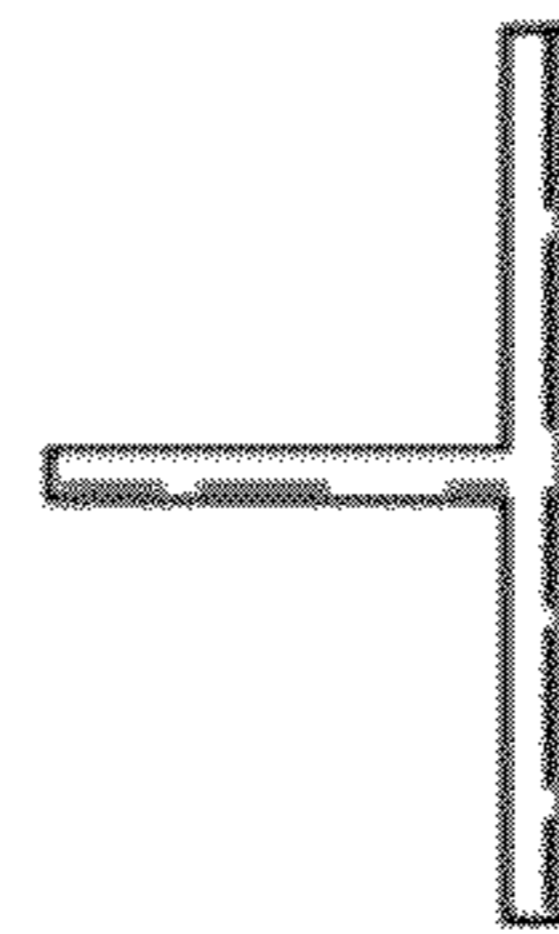


FIG. 20

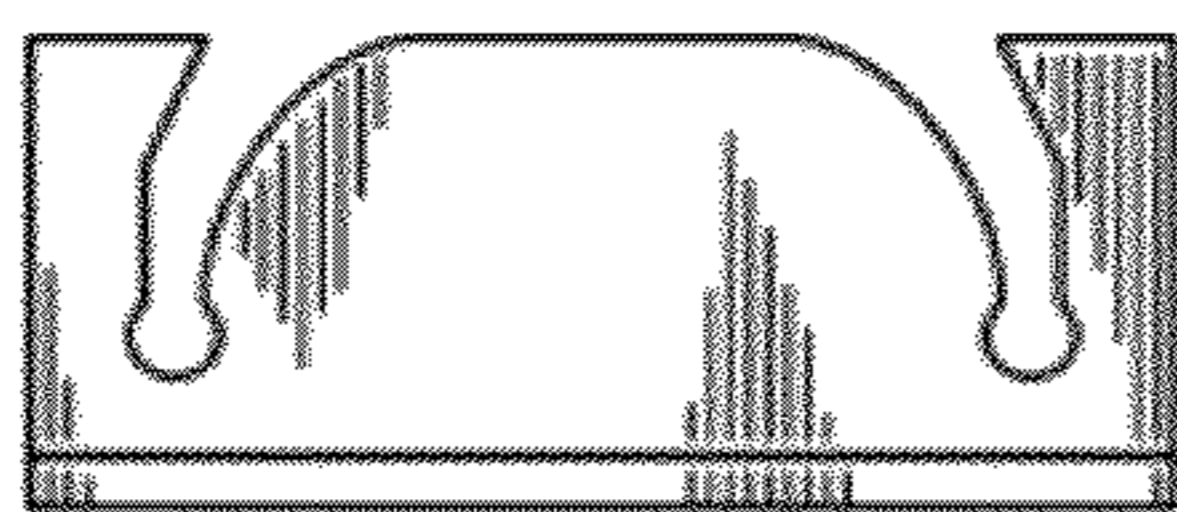


FIG. 21

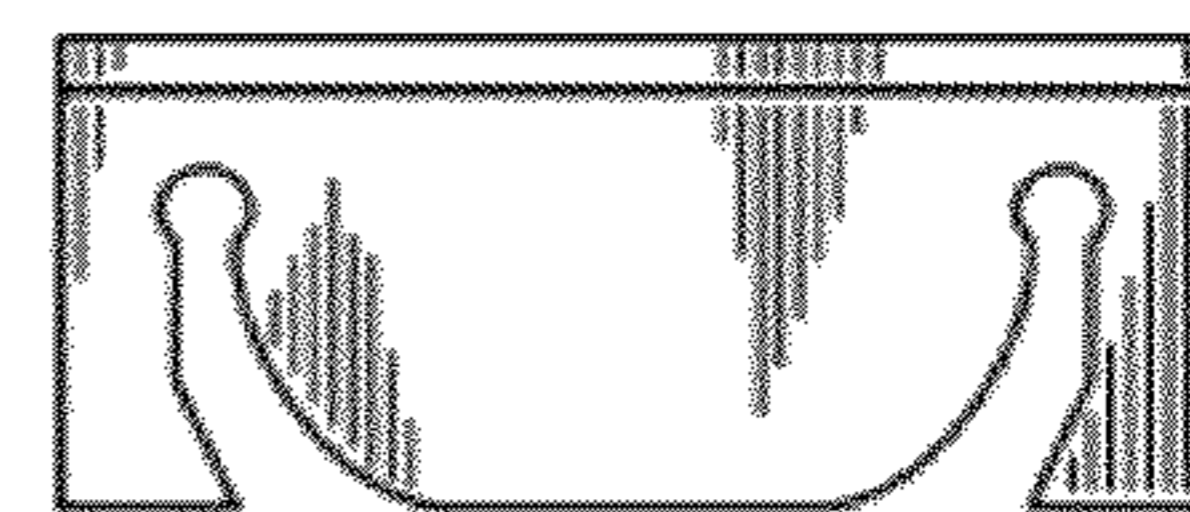


FIG. 22

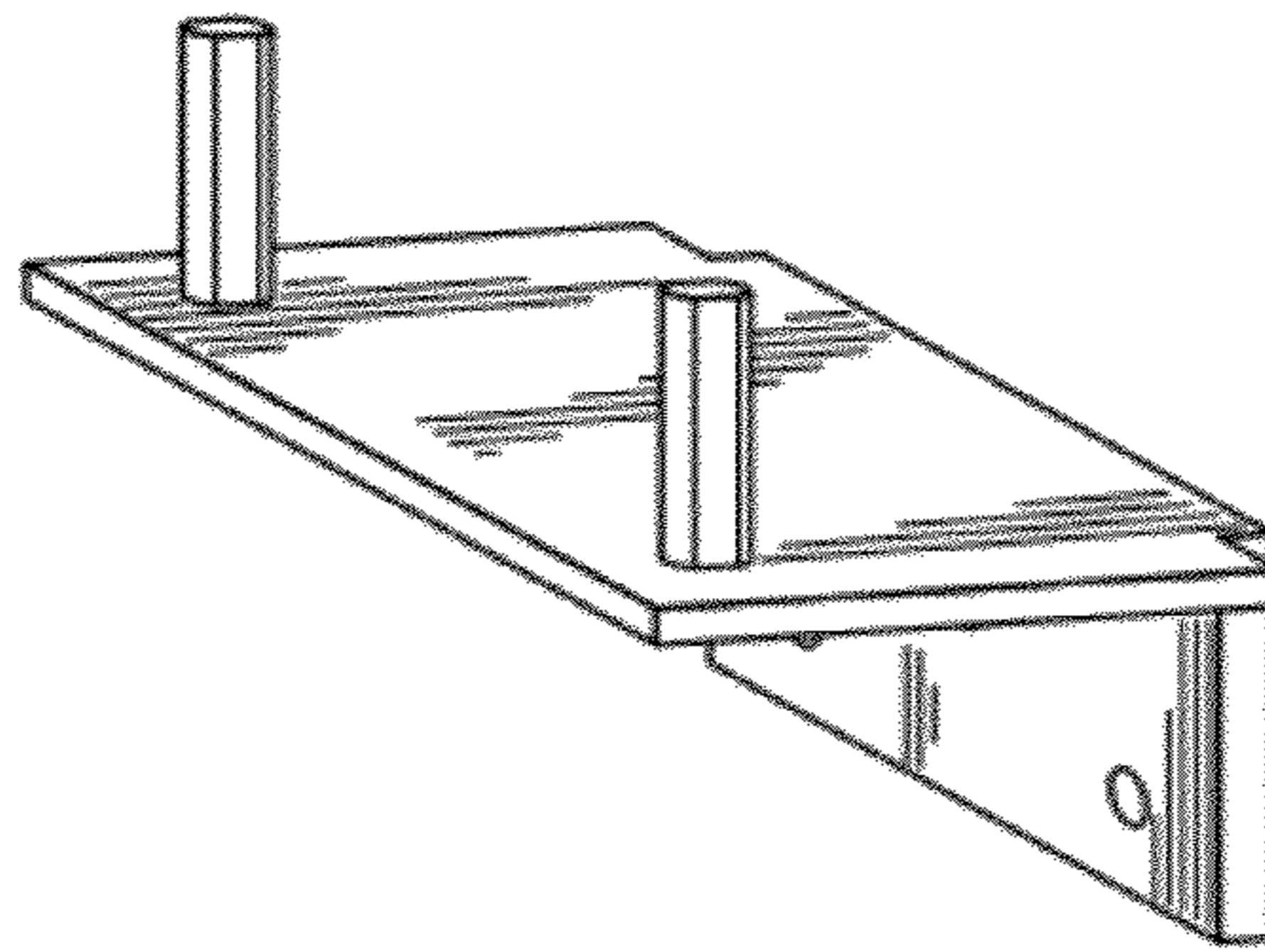


FIG. 23

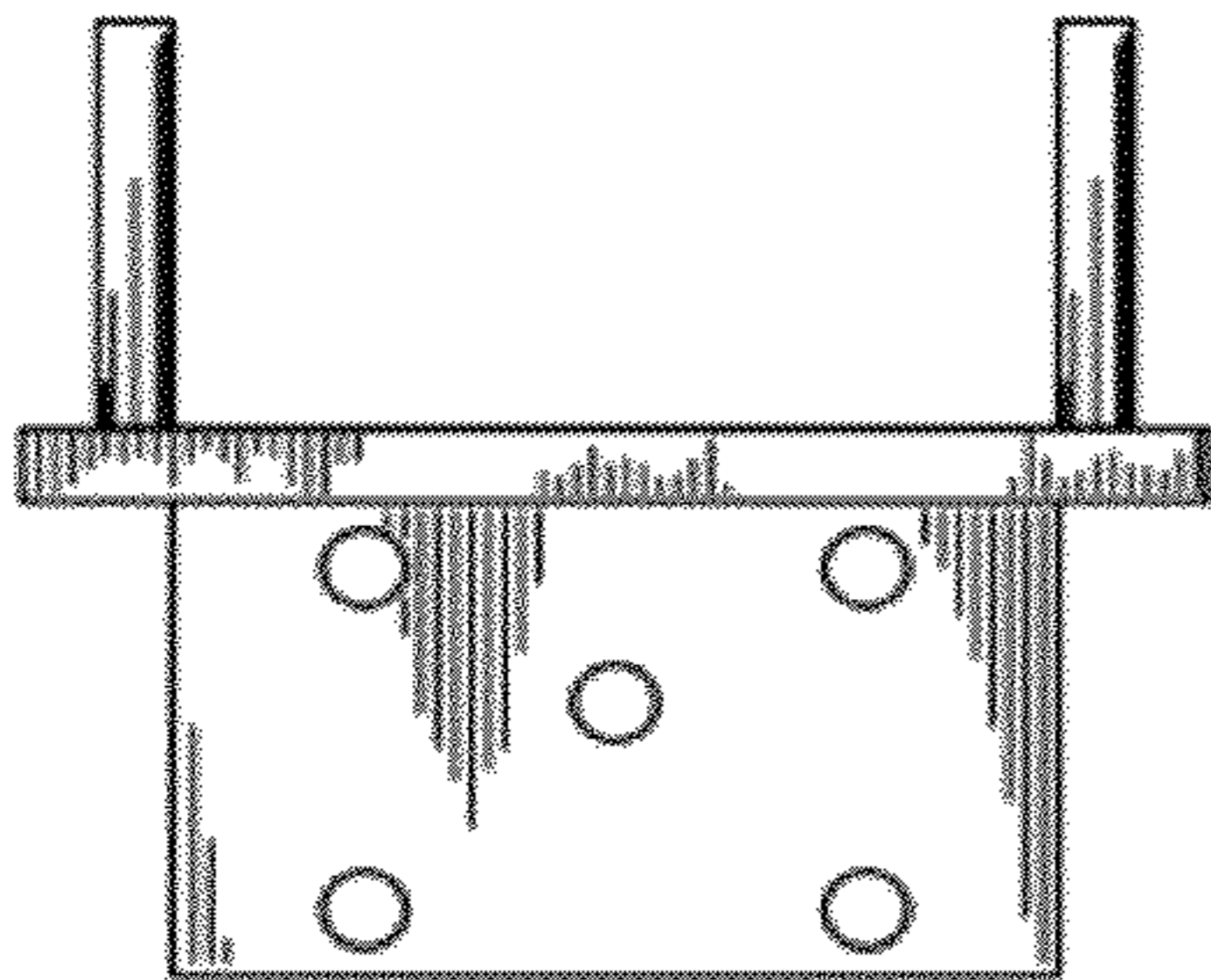


FIG. 24

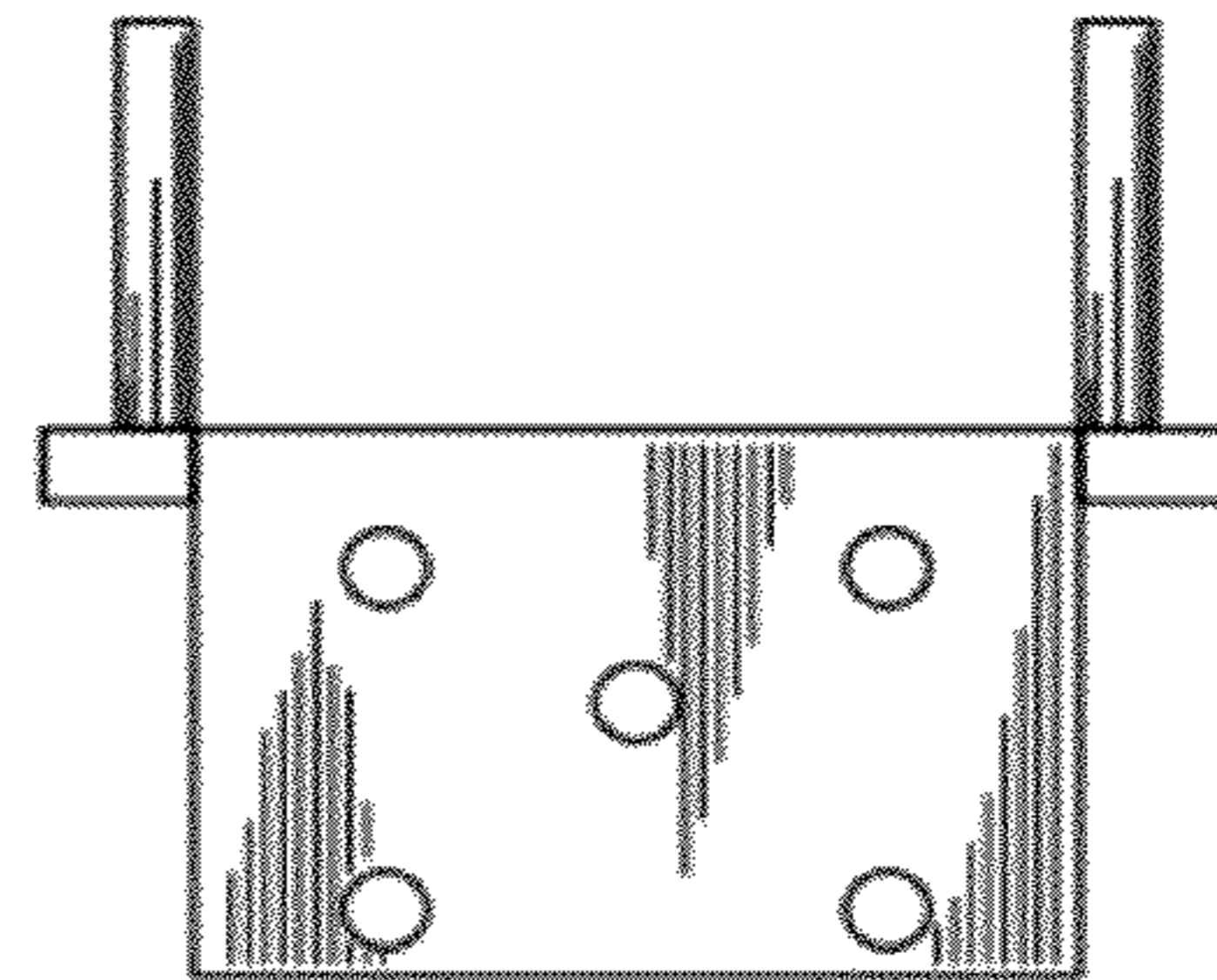


FIG. 25

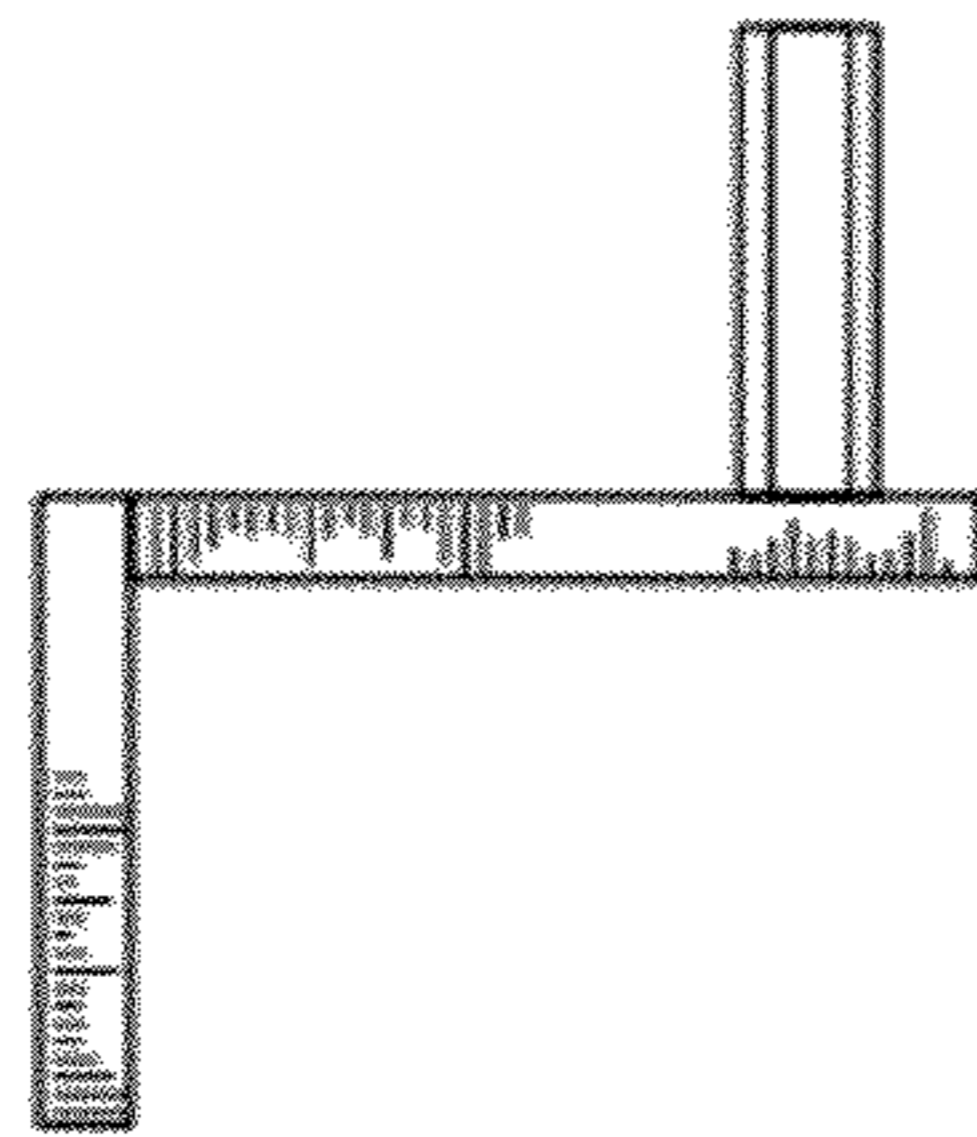


FIG. 26

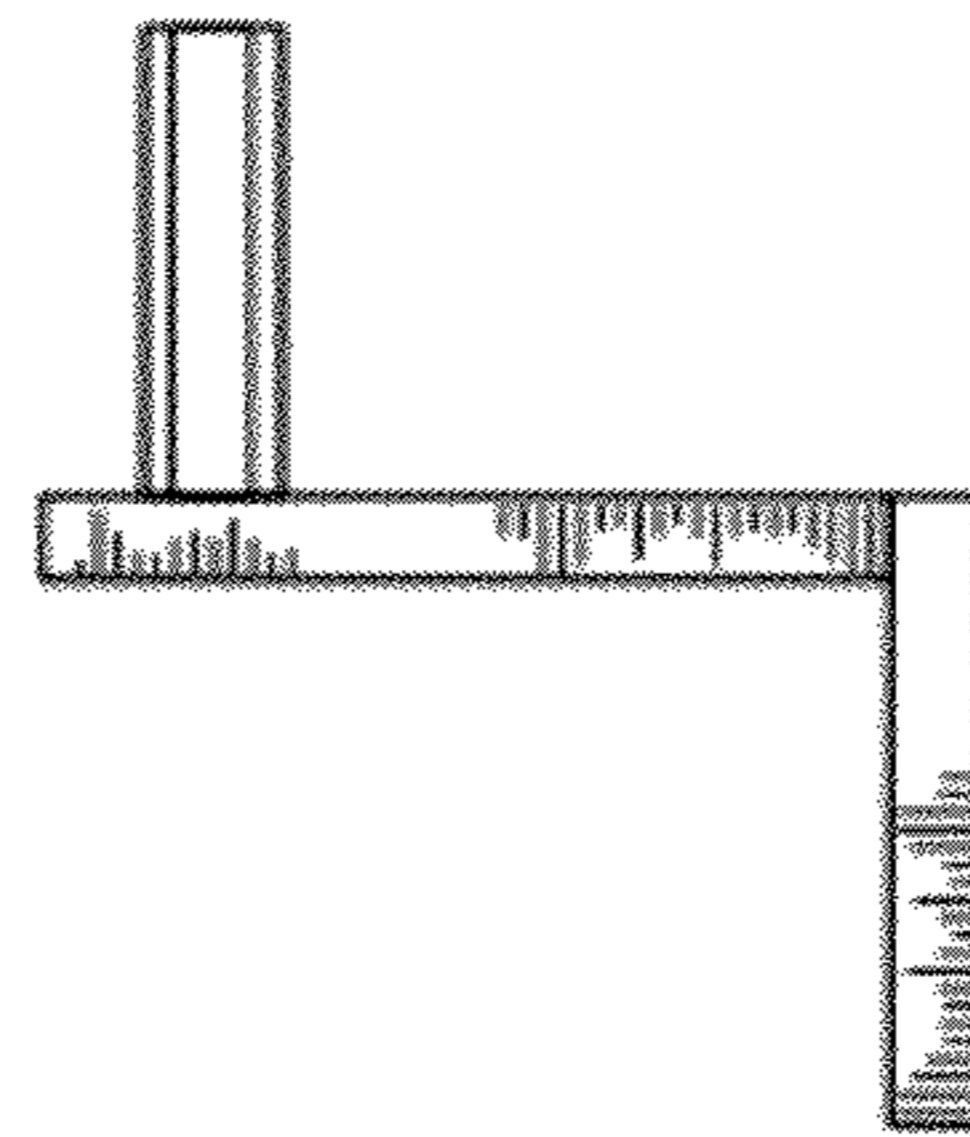


FIG. 27

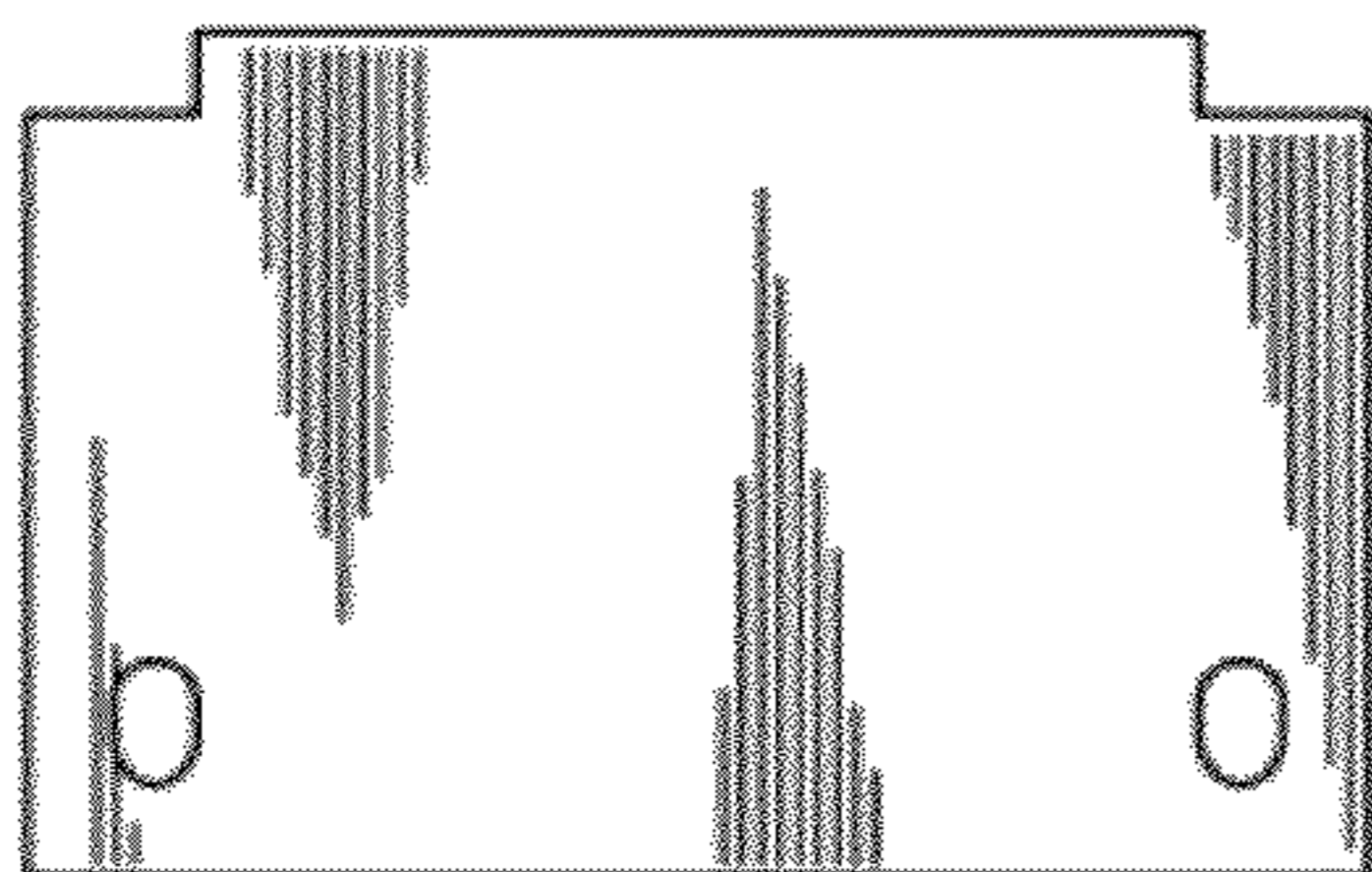


FIG. 28

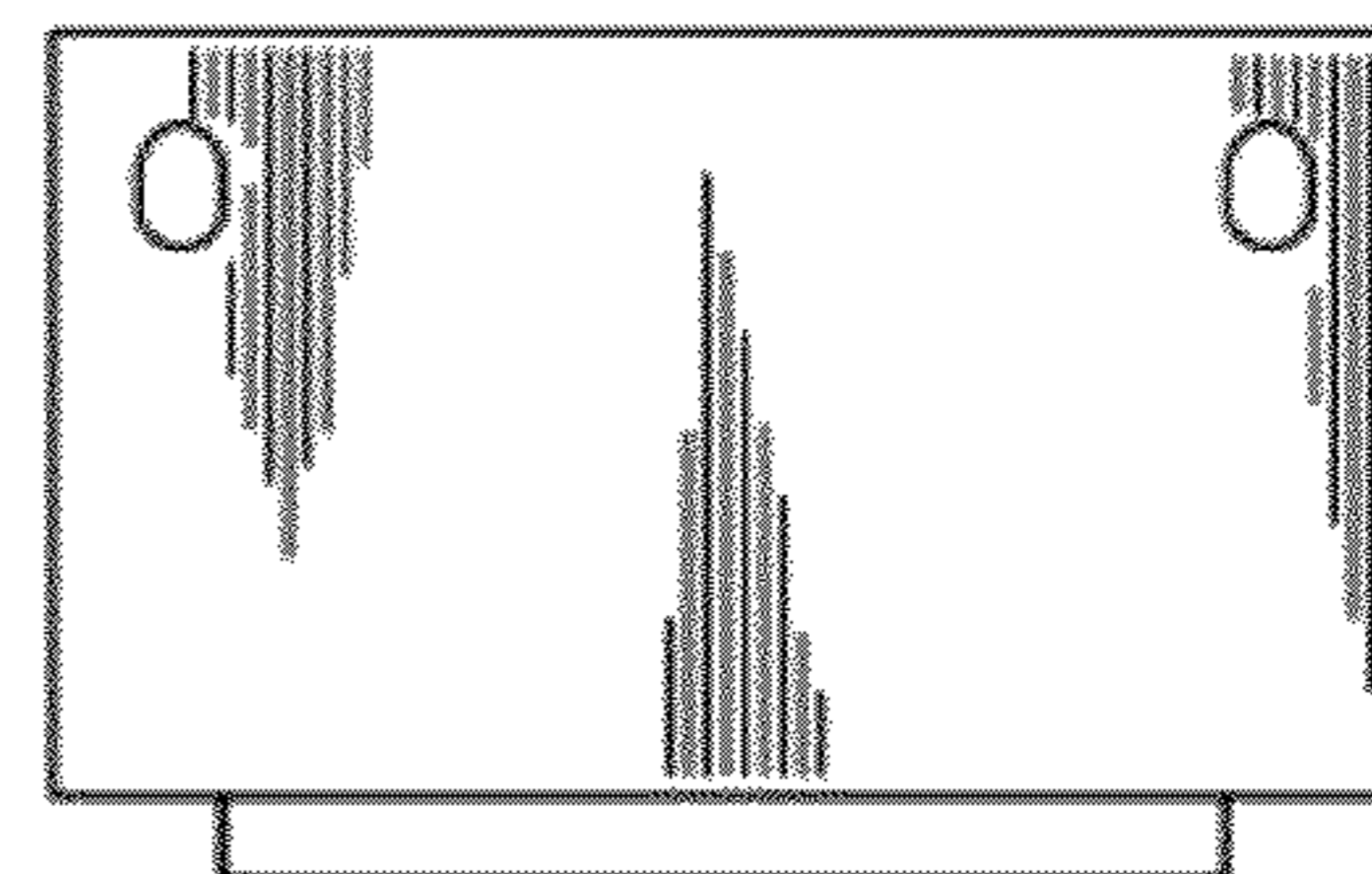


FIG. 29

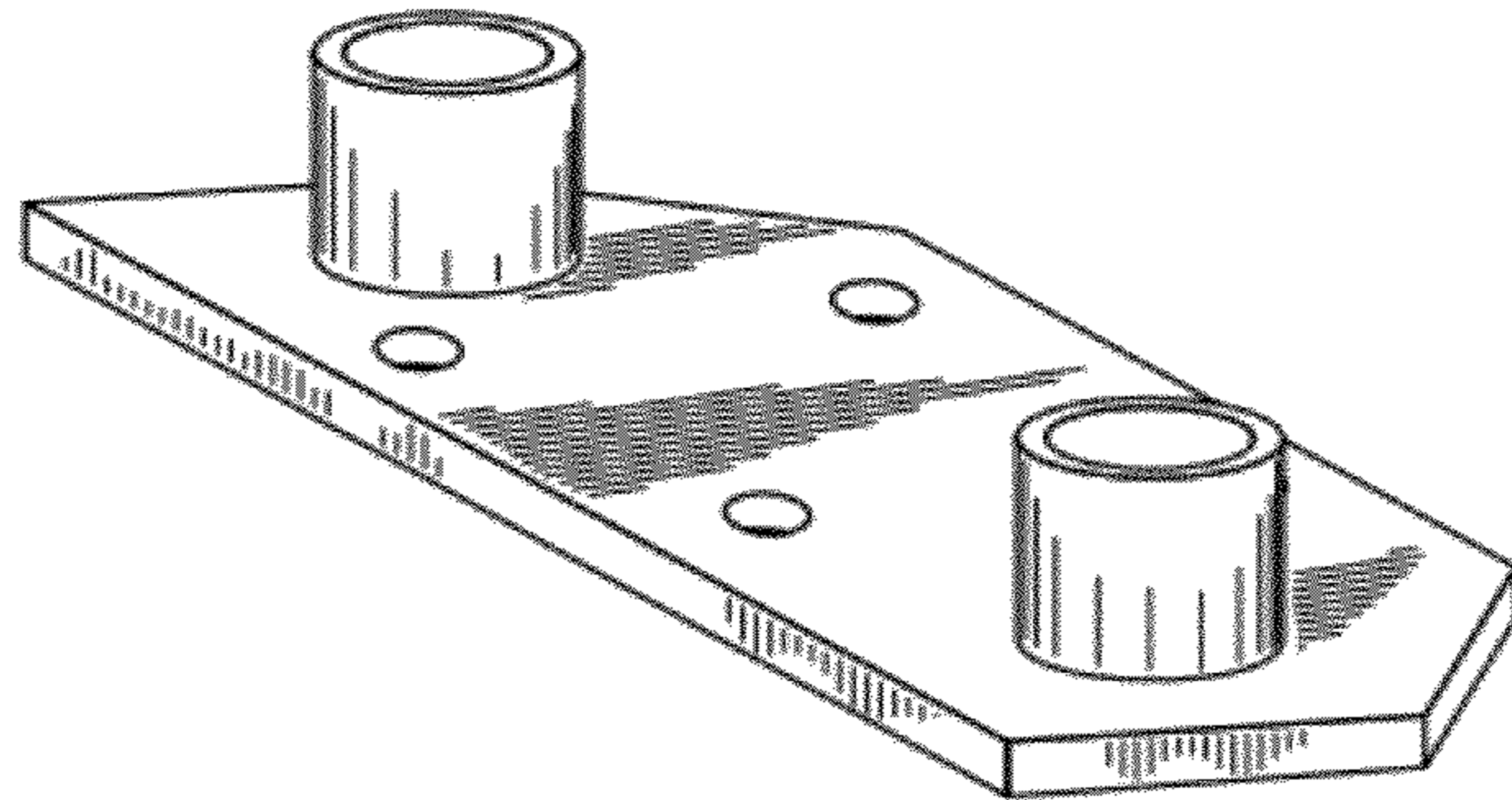


FIG. 30



FIG. 31



FIG. 32

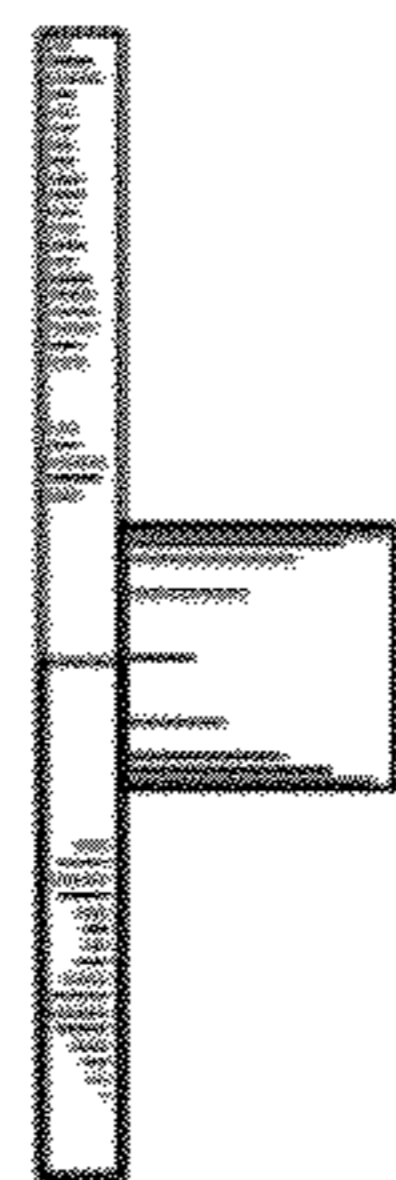


FIG. 33

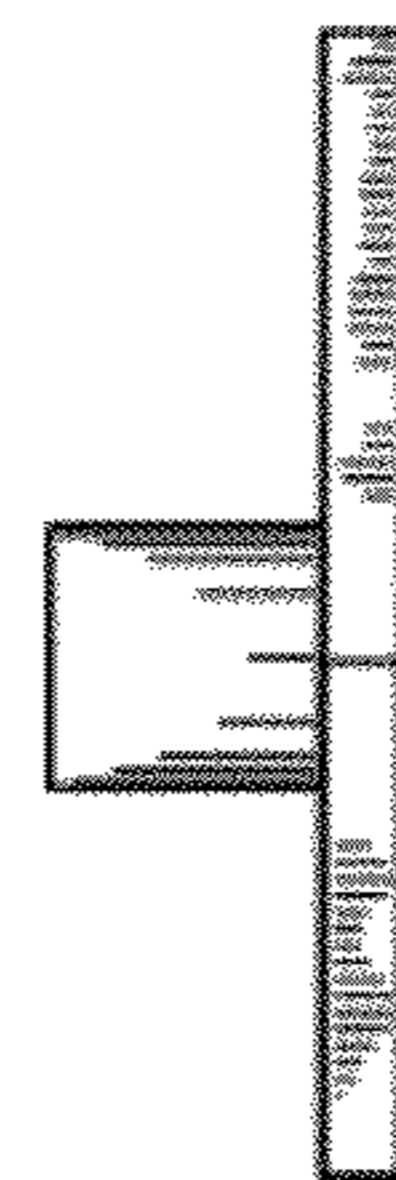


FIG. 34

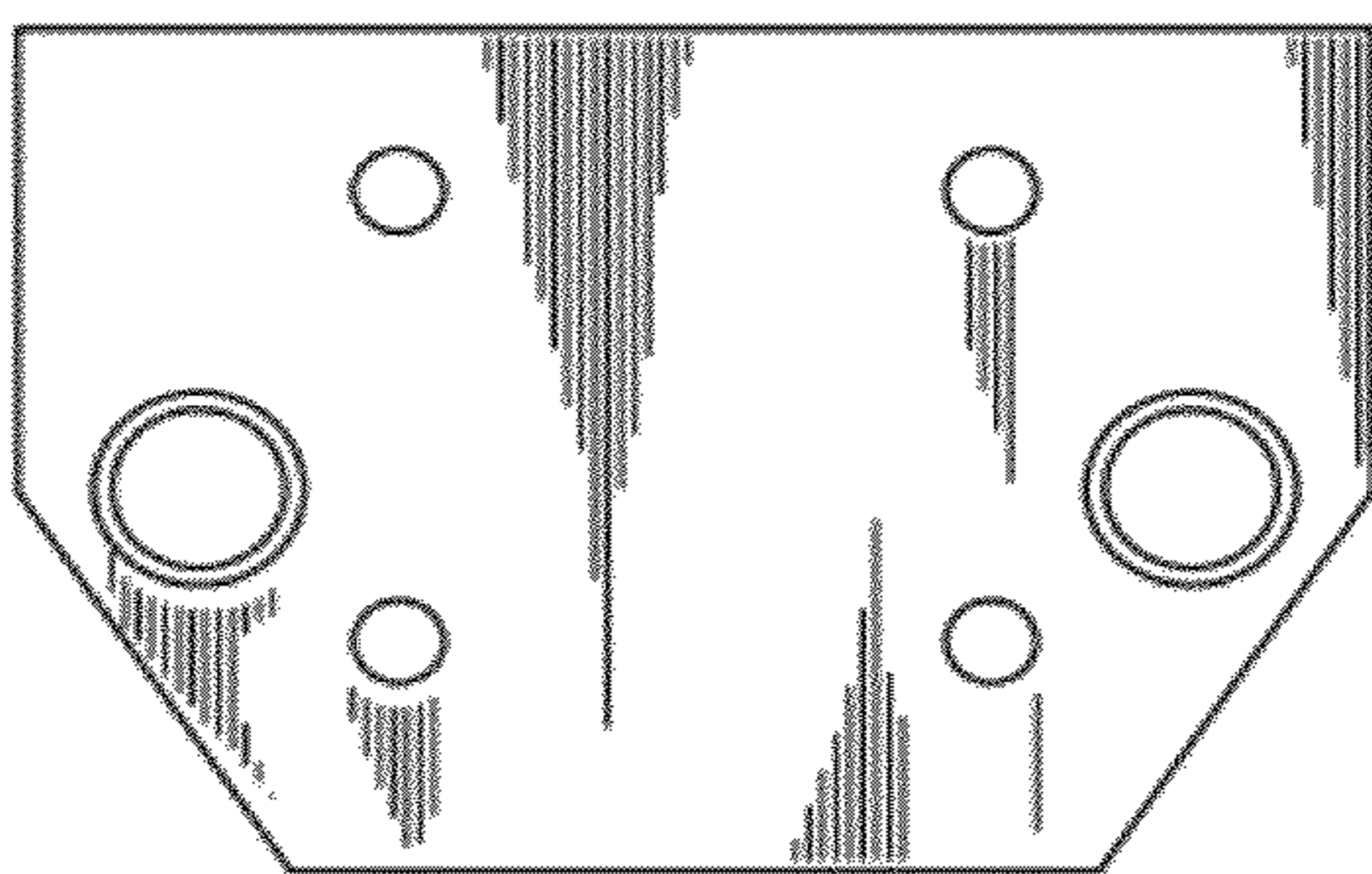


FIG. 35

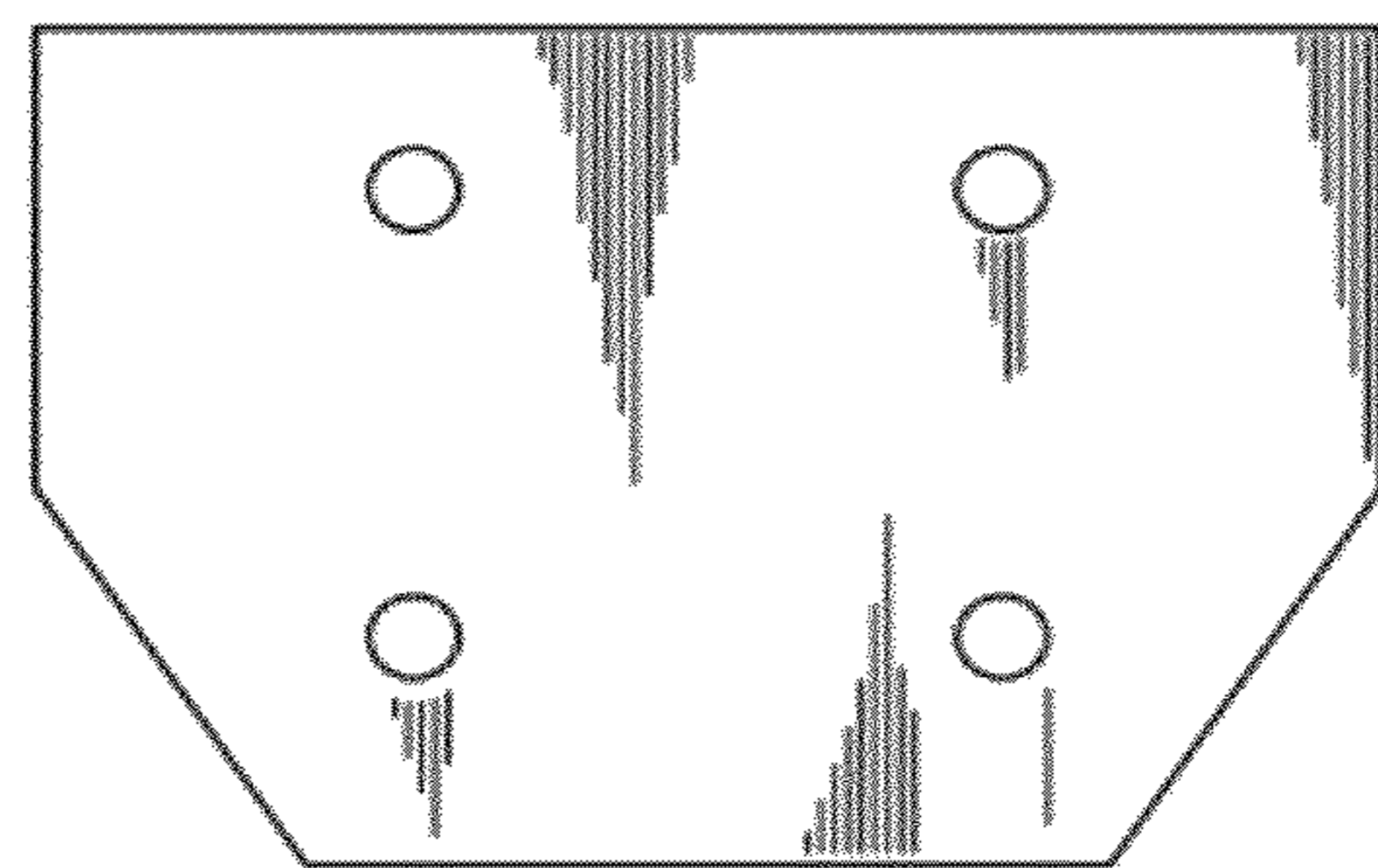


FIG. 36



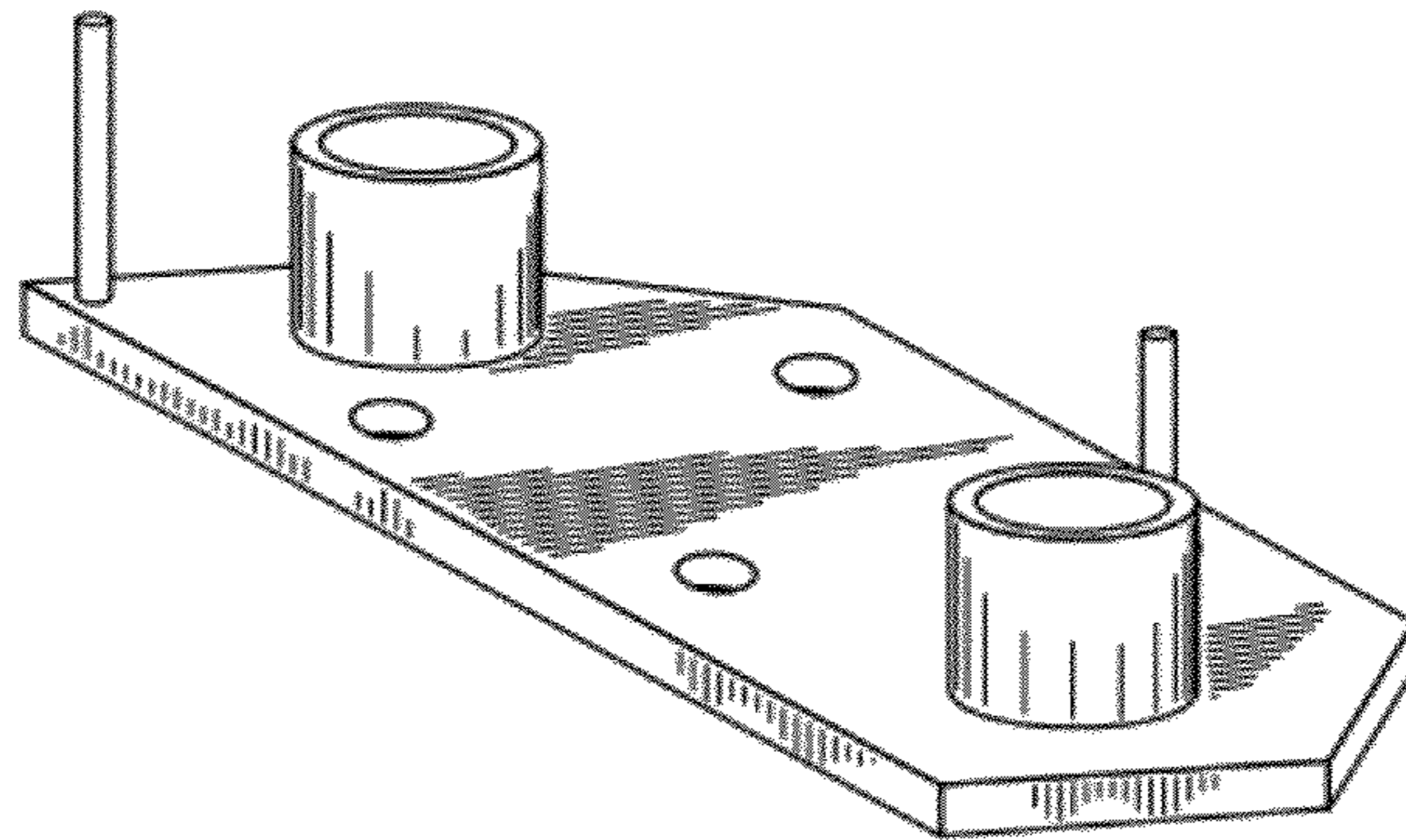


FIG. 37

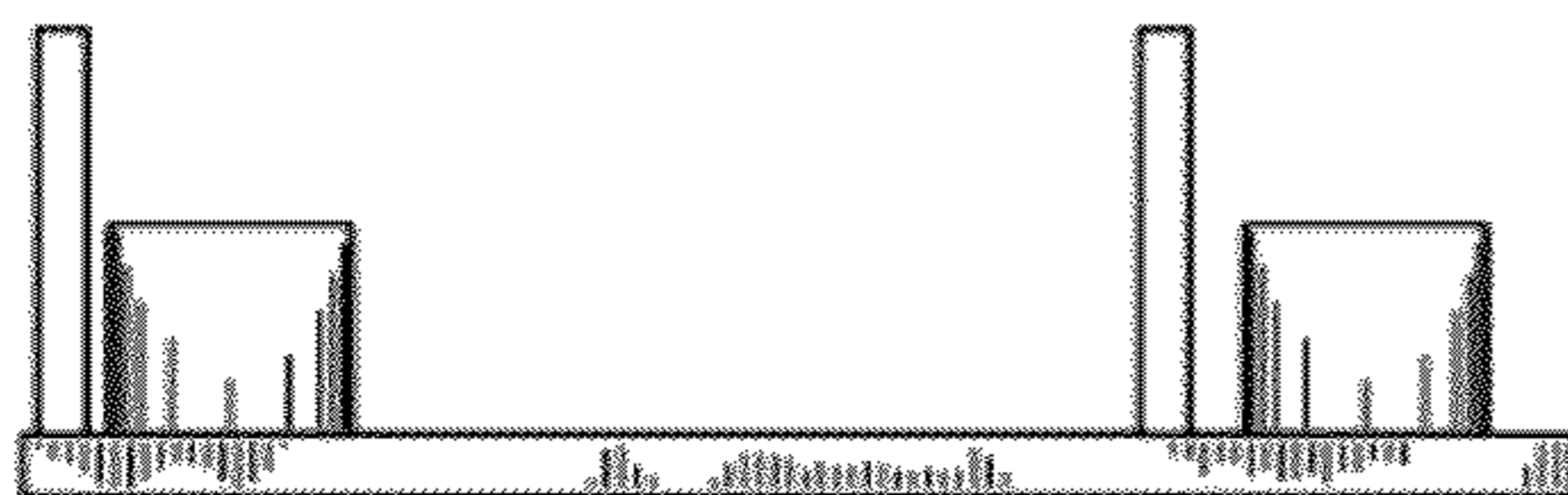


FIG. 38

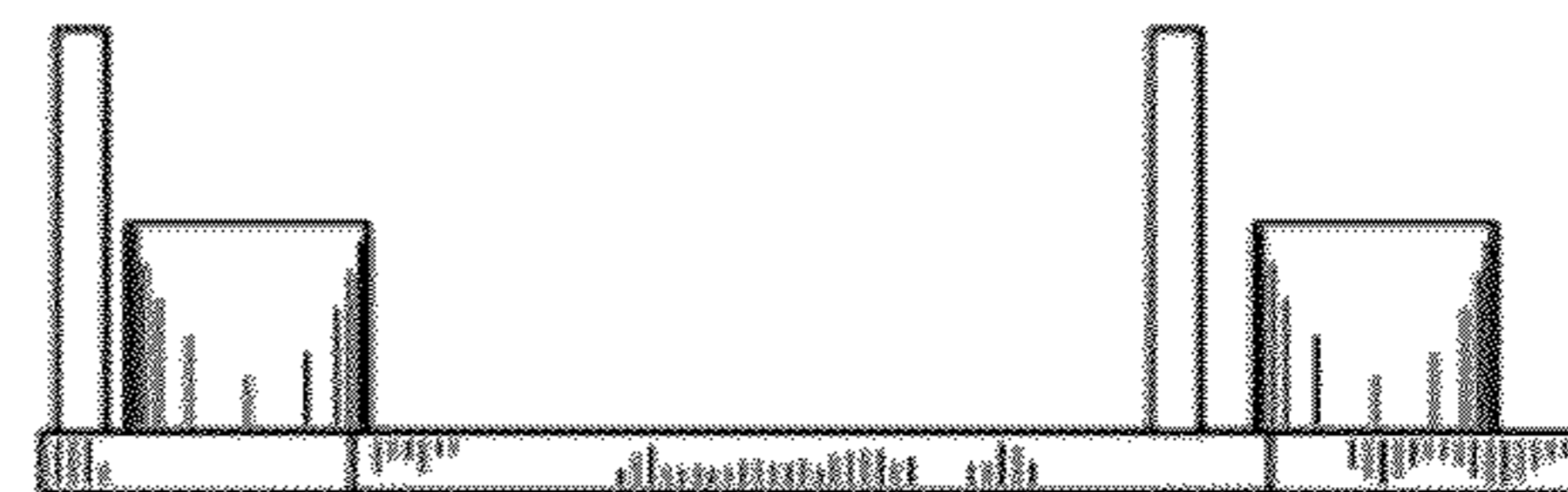


FIG. 39

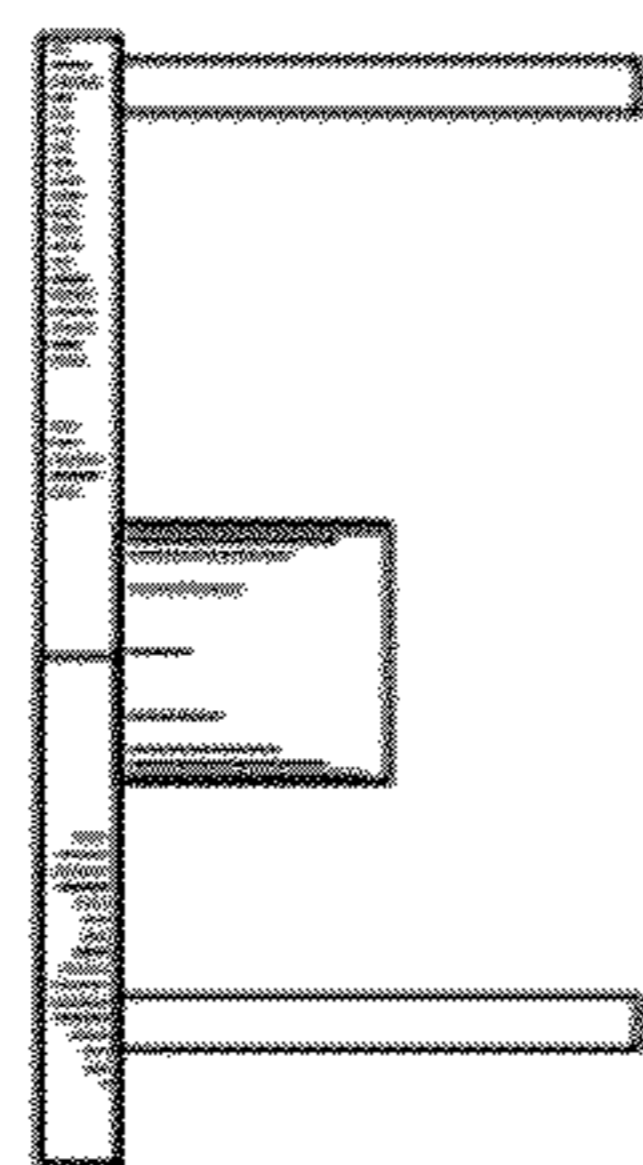


FIG. 40

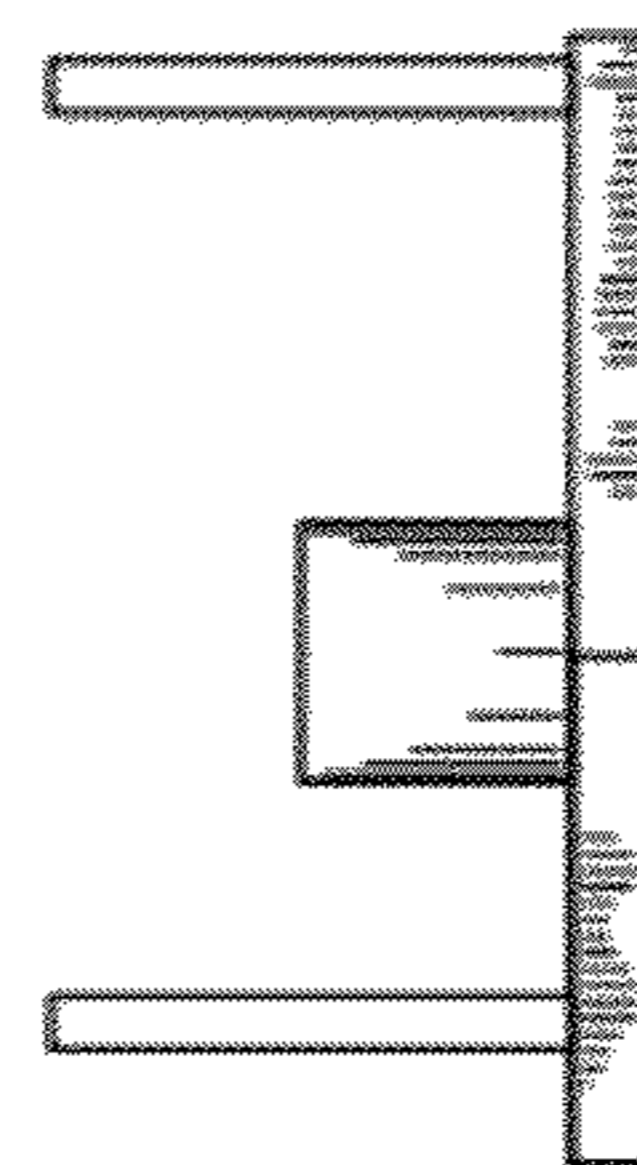


FIG. 41

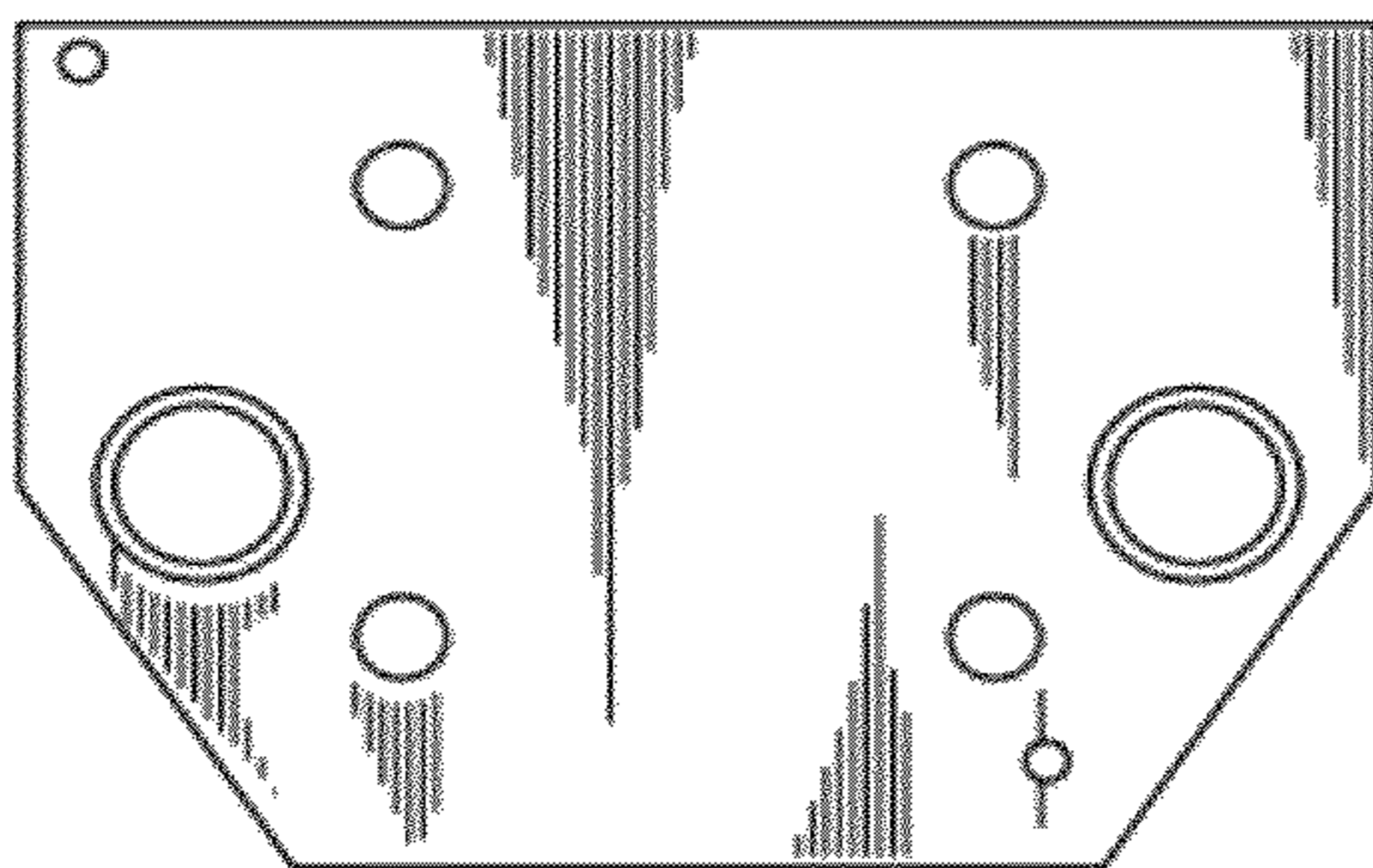


FIG. 42

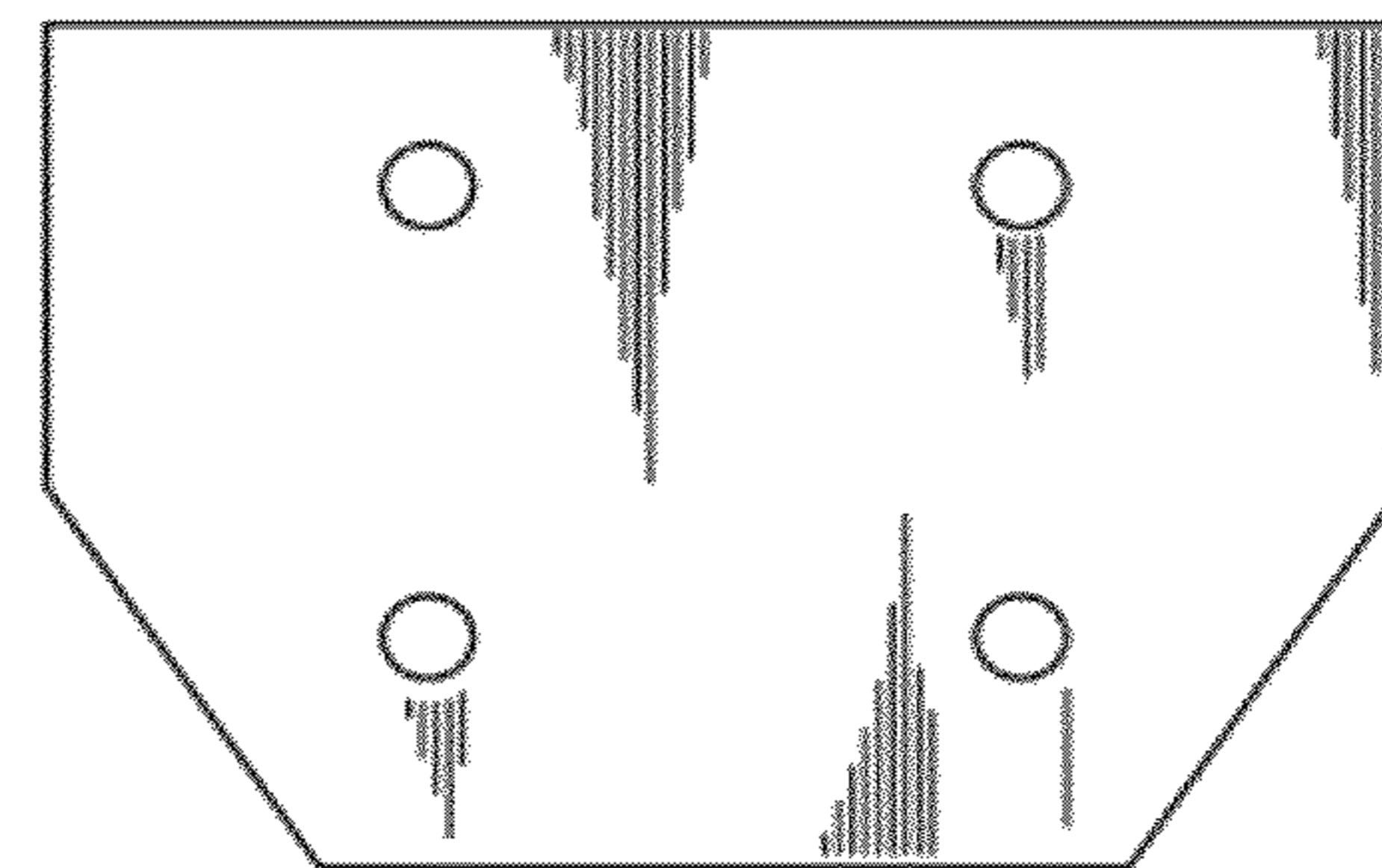


FIG. 43

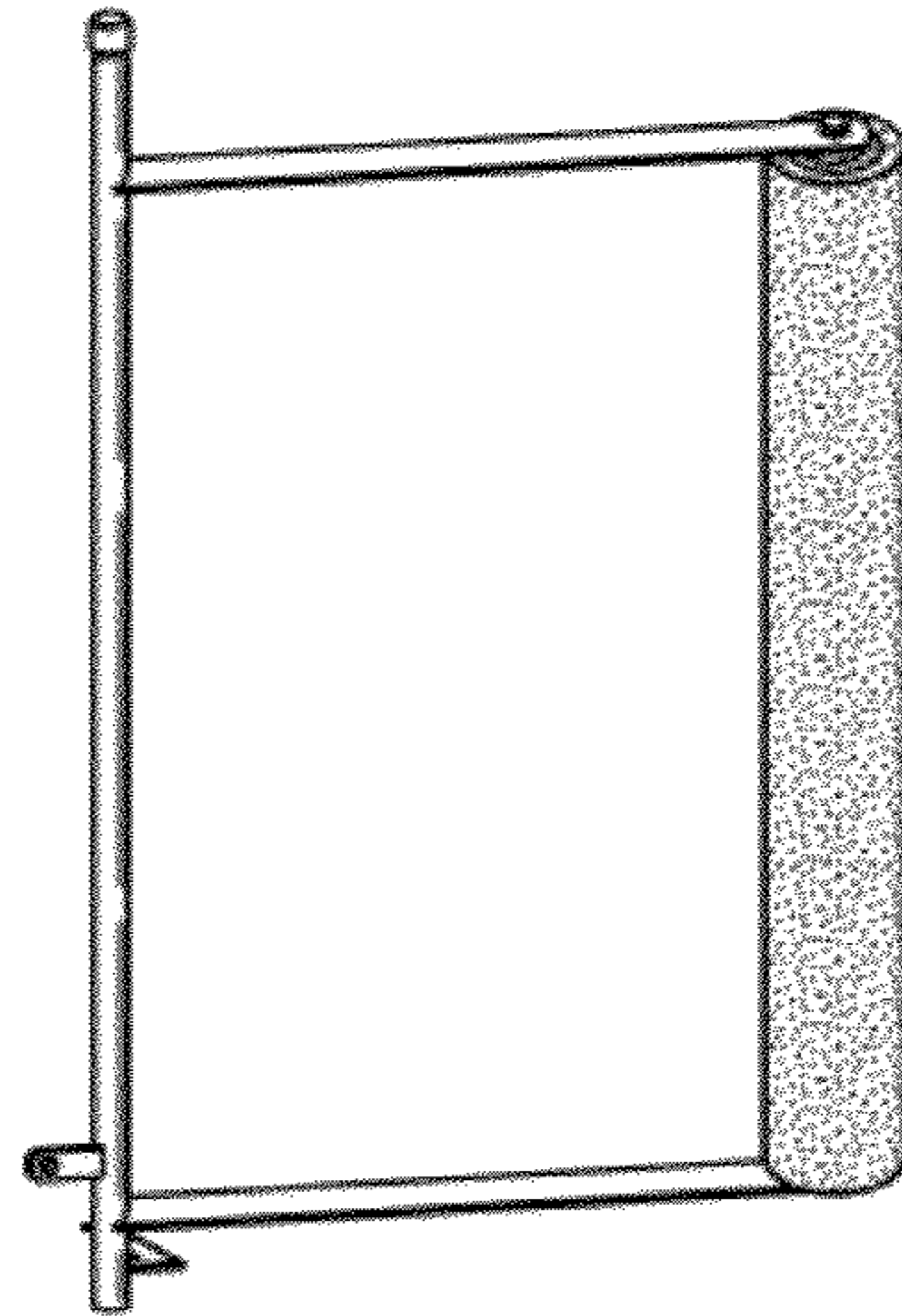


FIG. 44

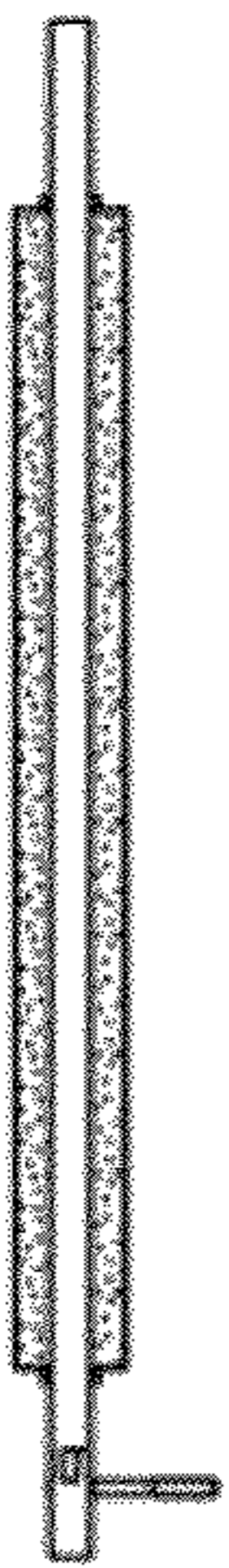


FIG. 45

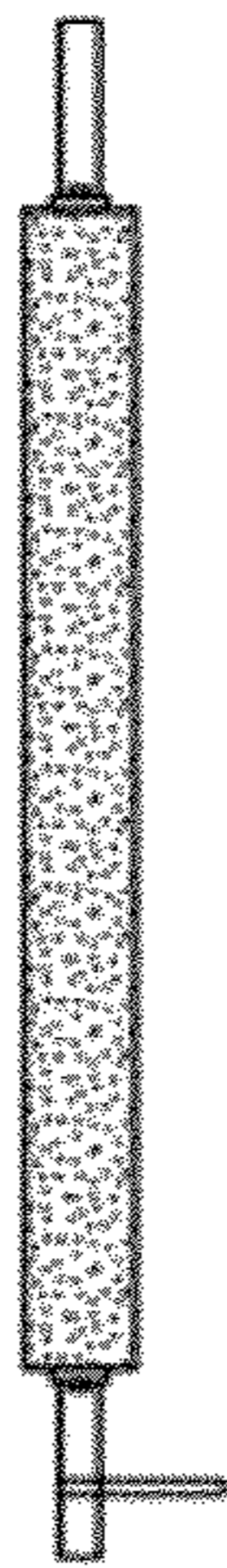


FIG. 46

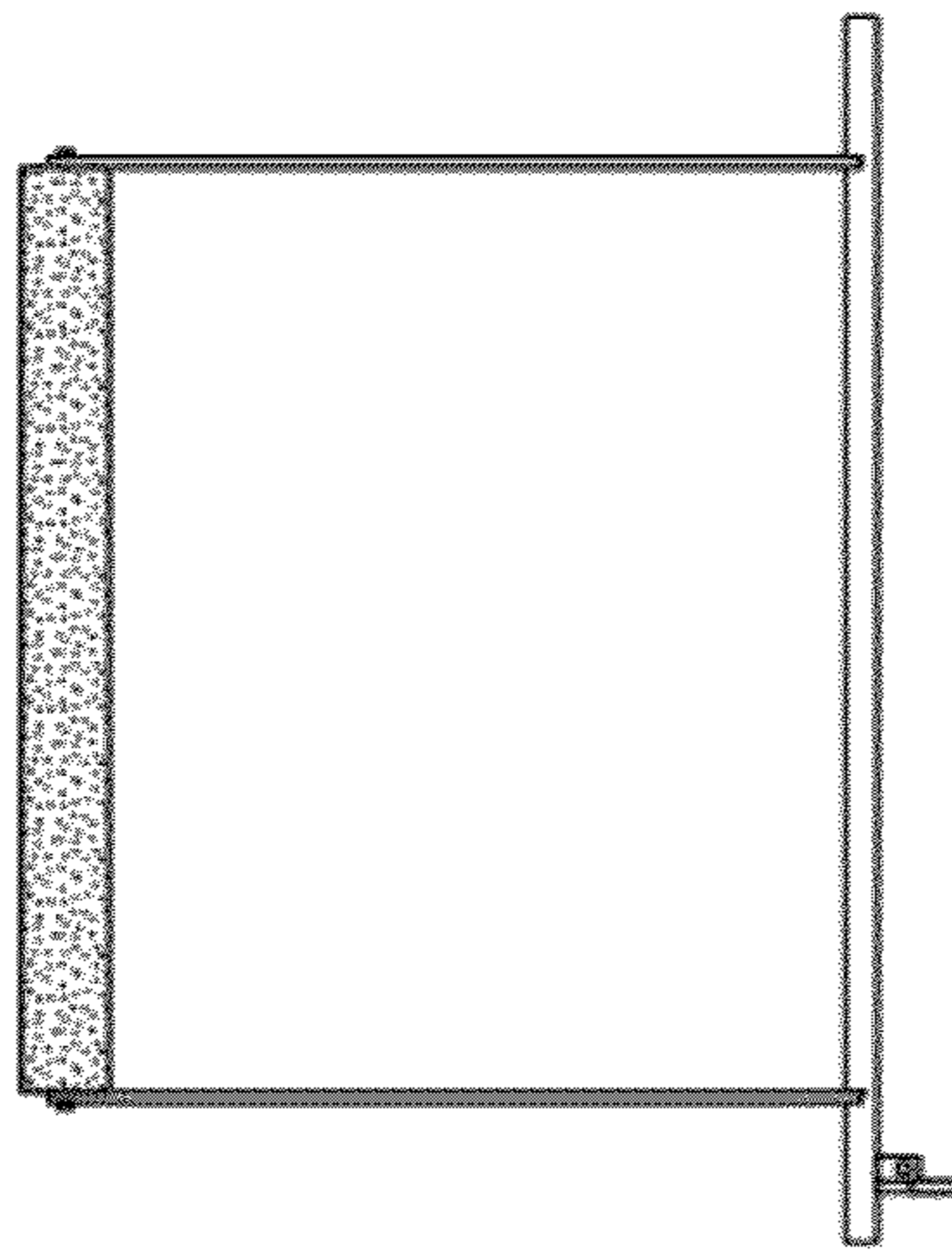


FIG. 47

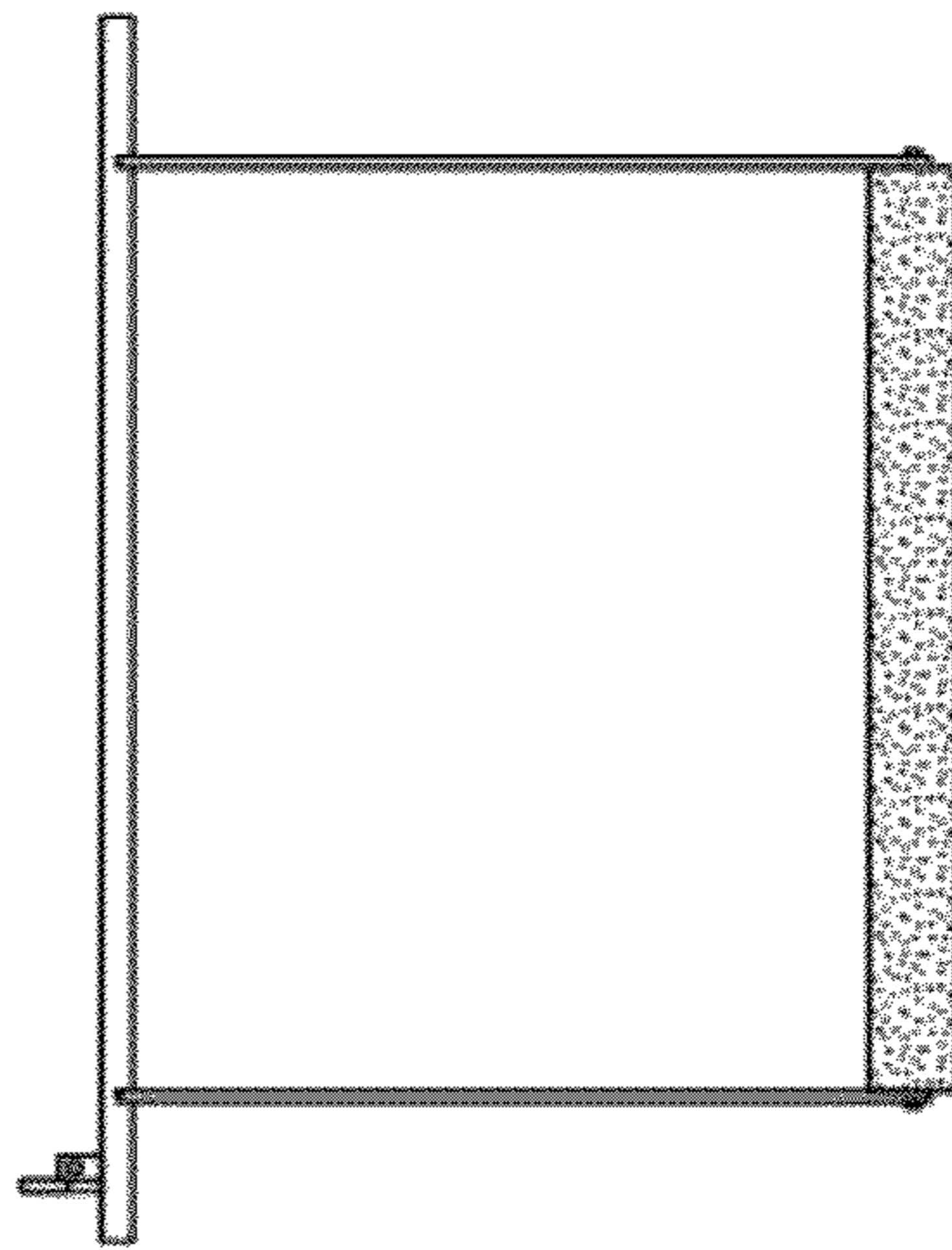


FIG. 48



FIG. 49



FIG. 50

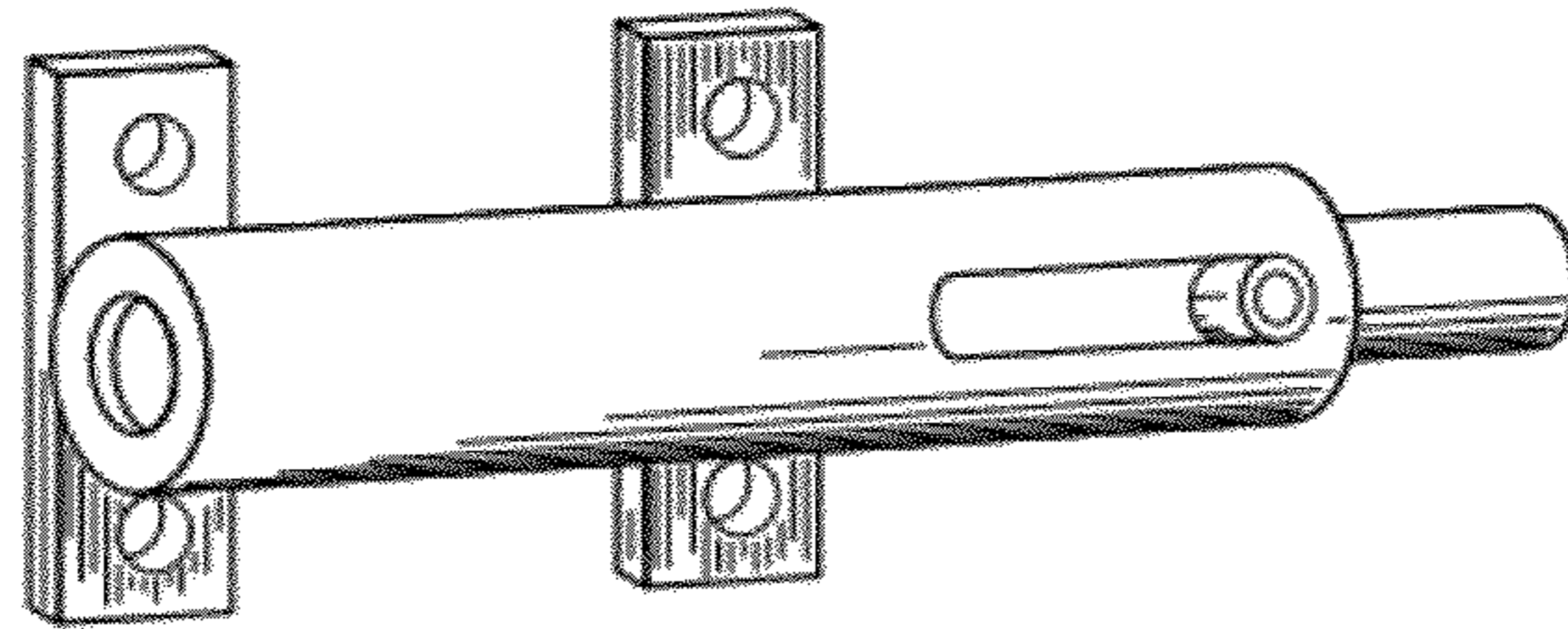


FIG. 51

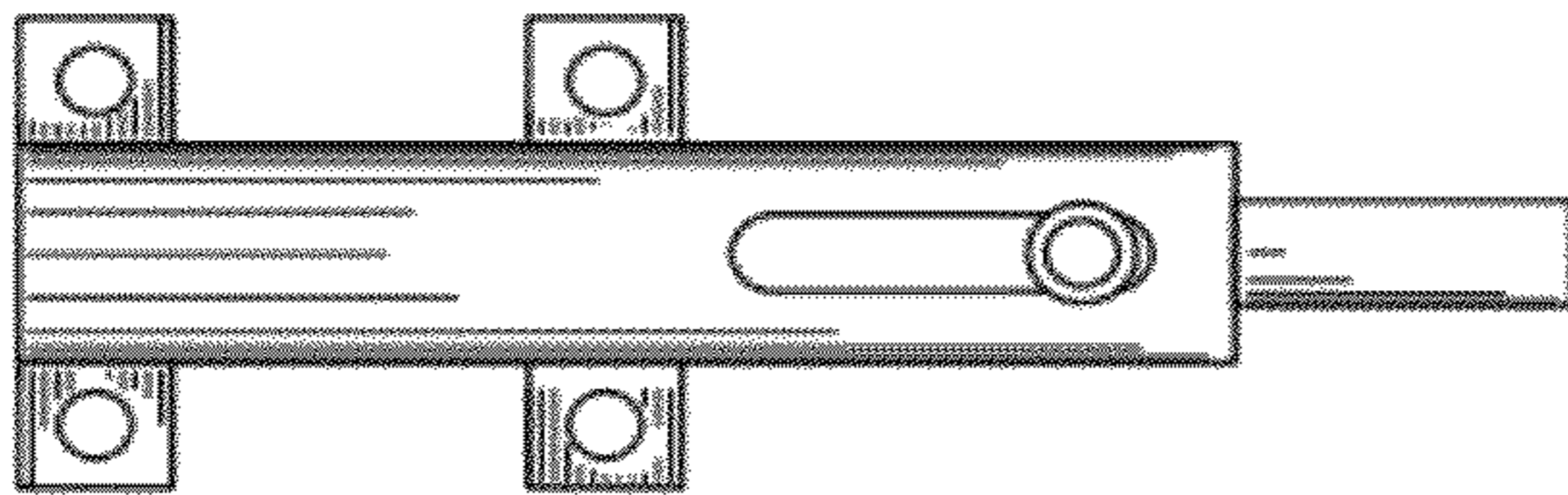


FIG. 52

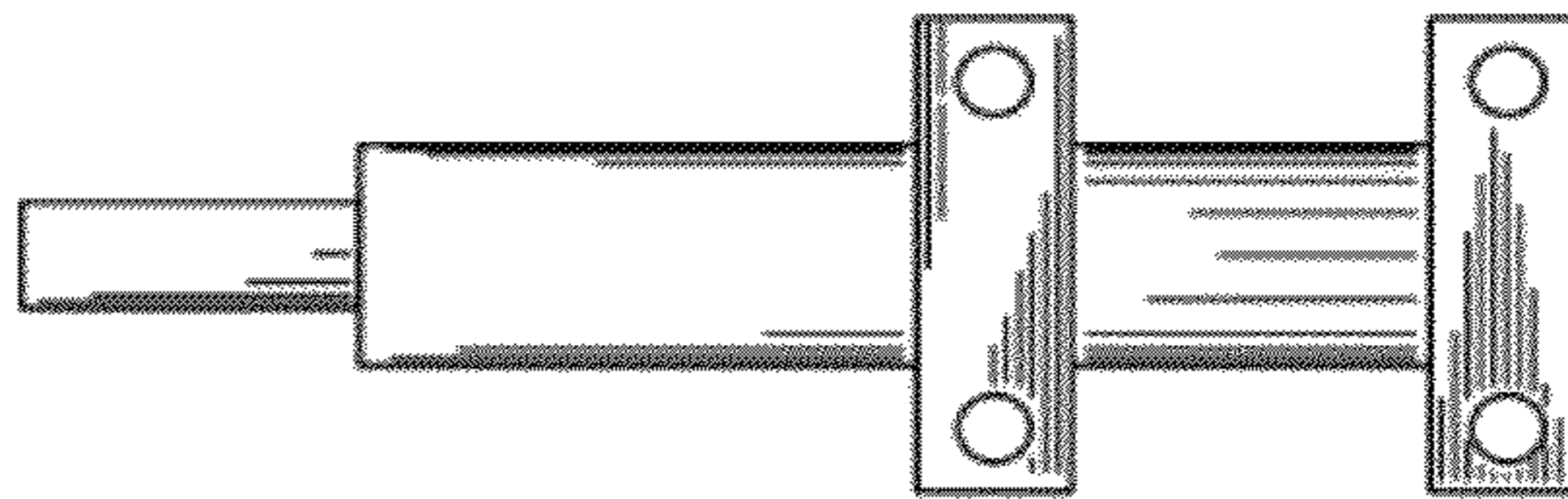


FIG. 53

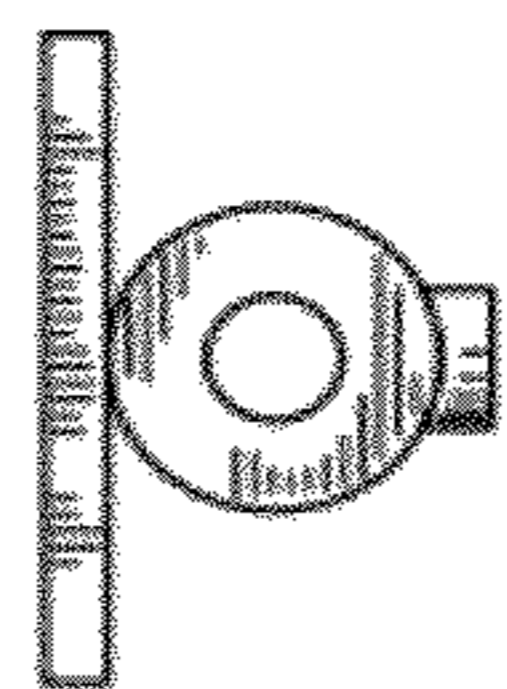


FIG. 54

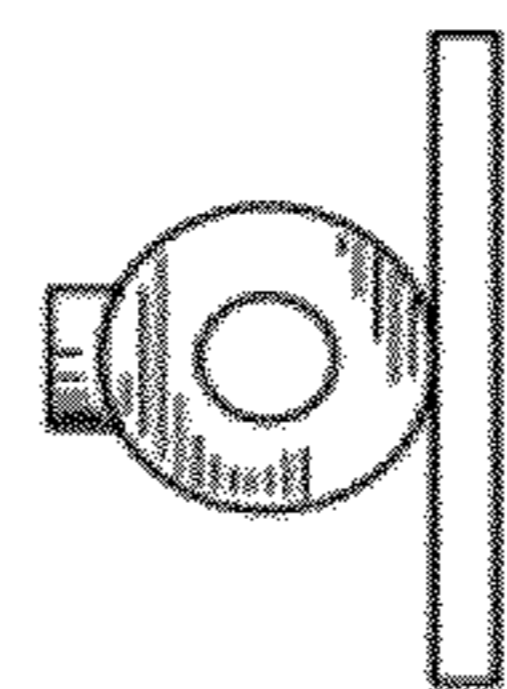


FIG. 55

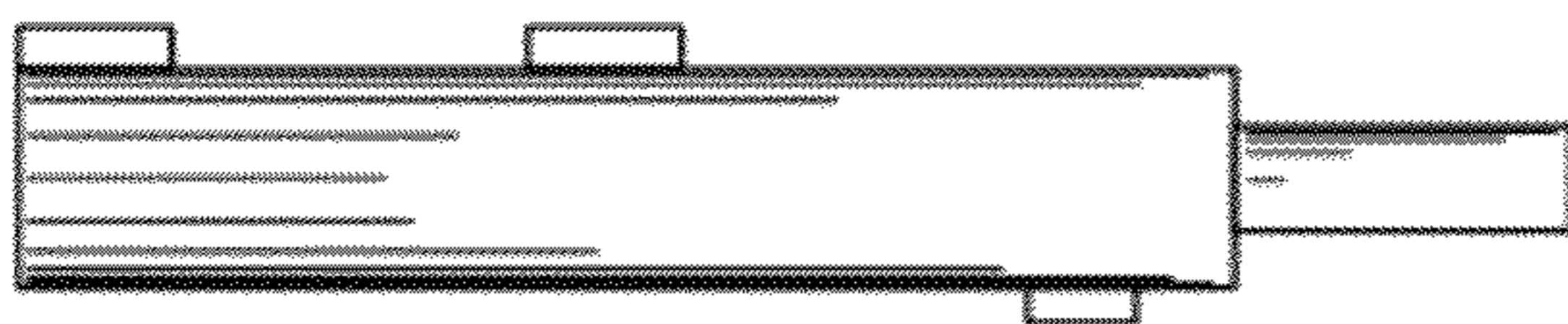


FIG. 56

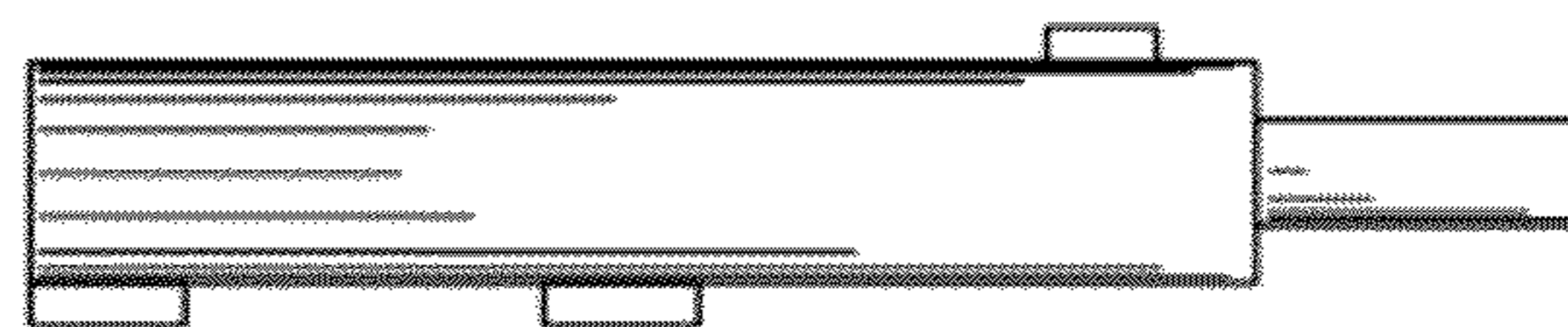


FIG. 57

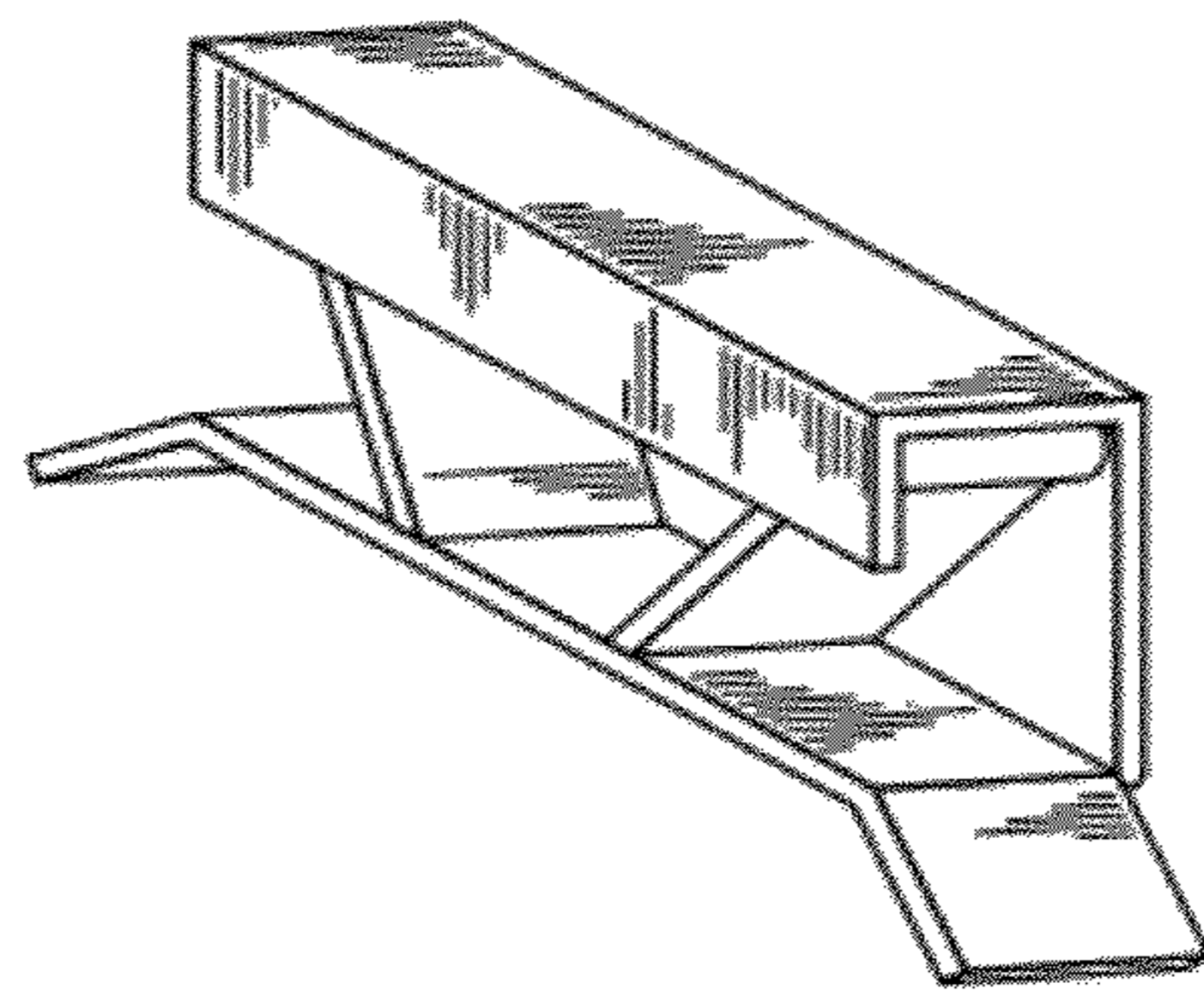


FIG. 58

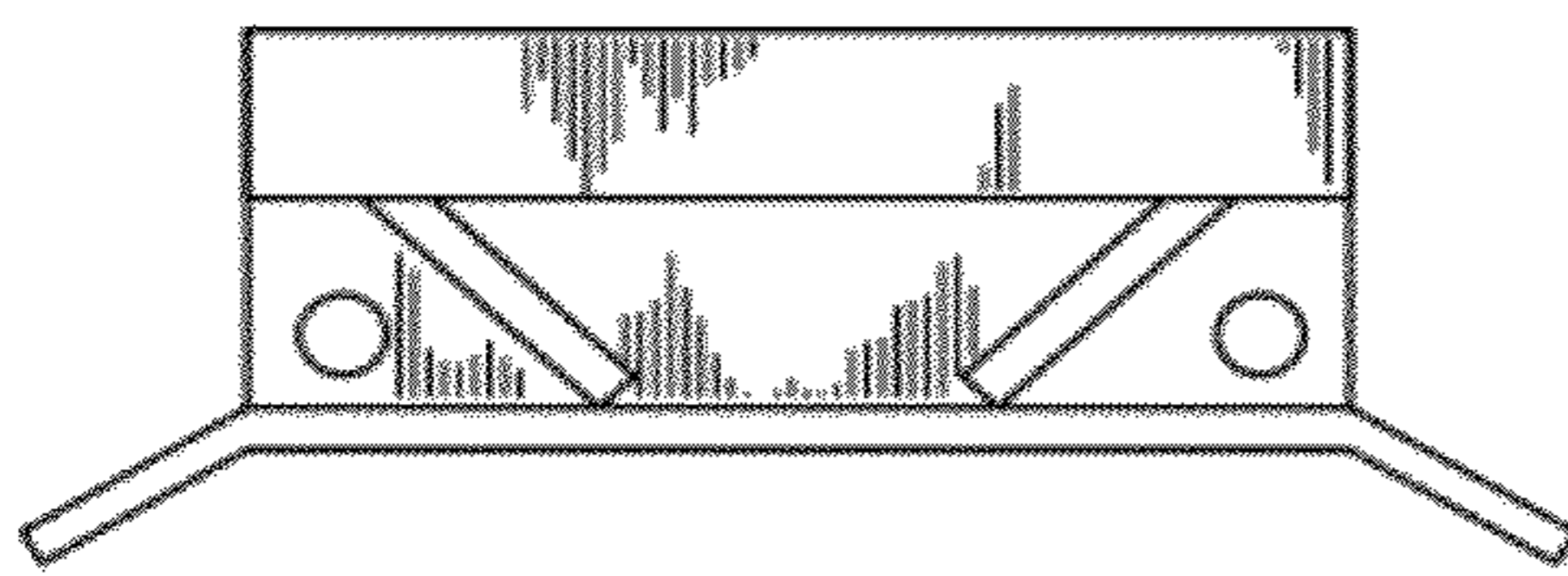


FIG. 59

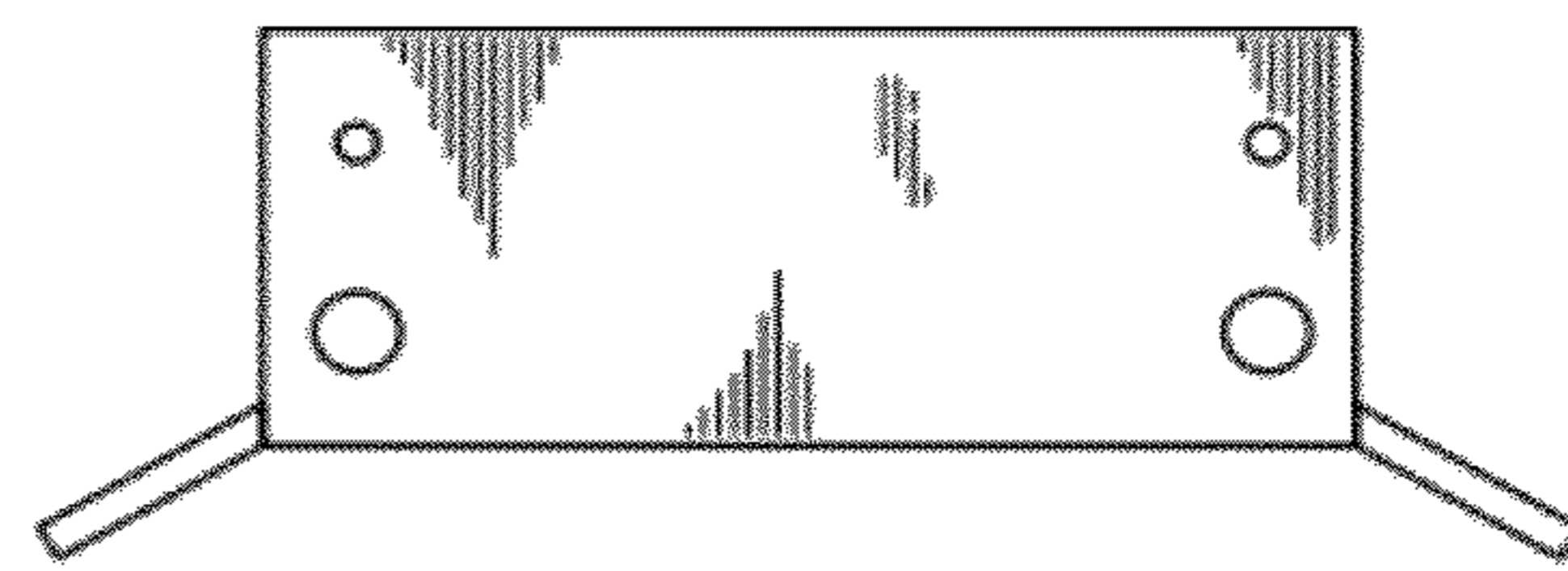


FIG. 60

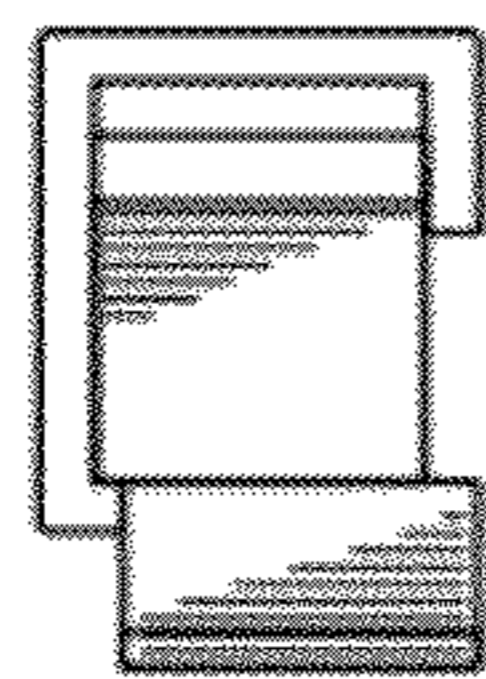


FIG. 61

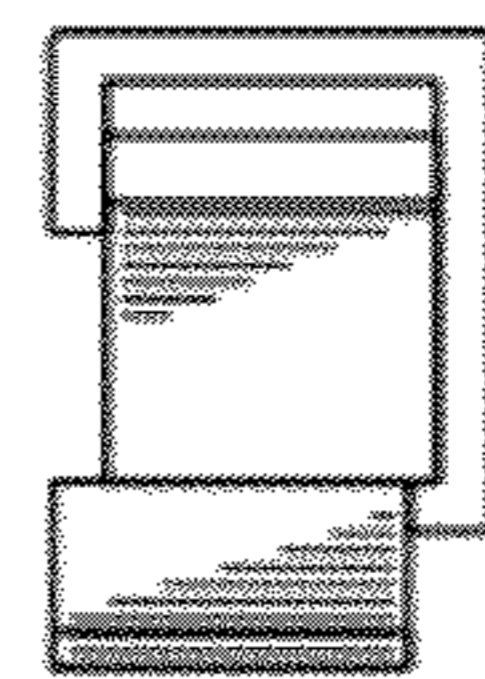


FIG. 62

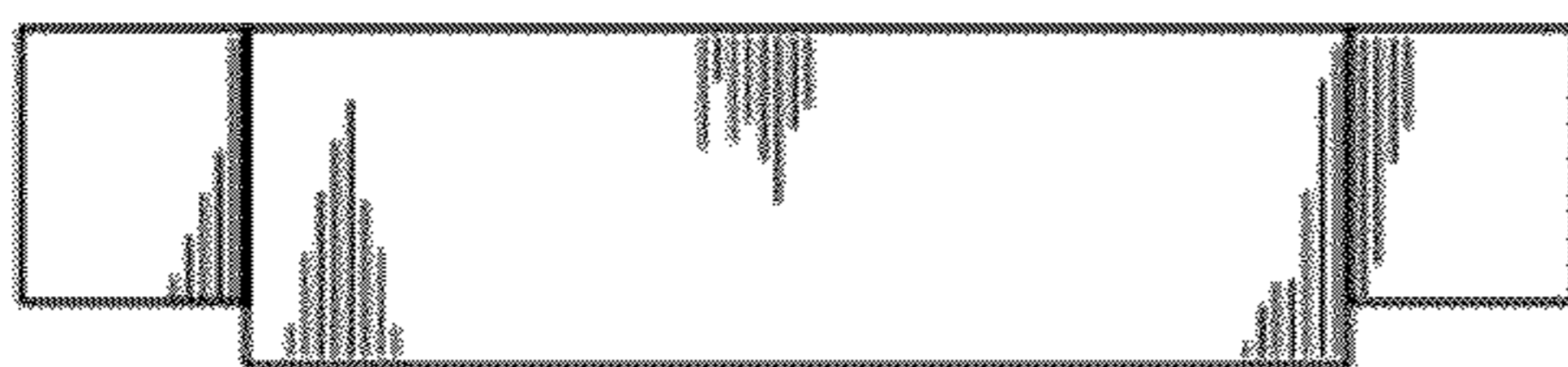


FIG. 63

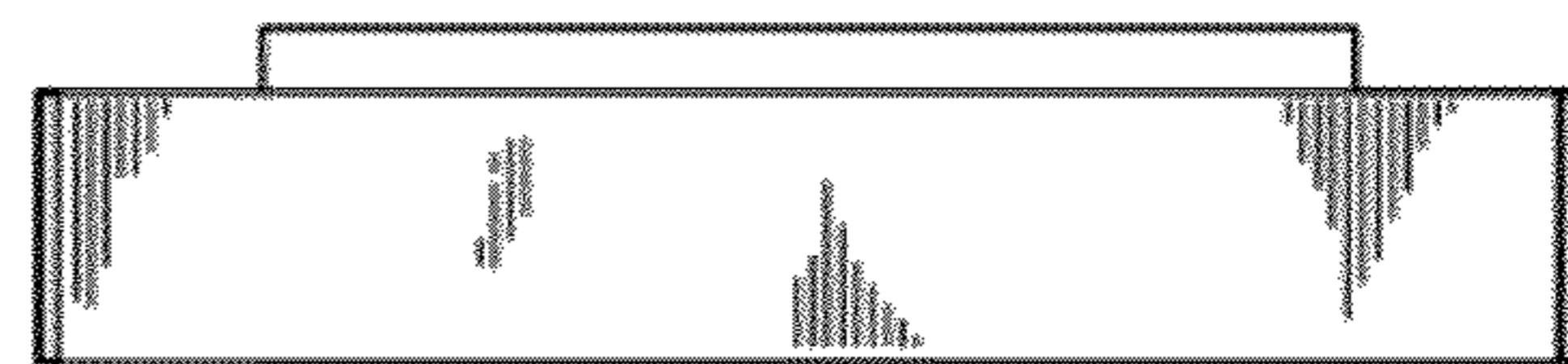


FIG. 64