

US00D655996S

(12) **United States Design Patent**
Ireland

(10) **Patent No.:** **US D655,996 S**

(45) **Date of Patent:** **** Mar. 20, 2012**

(54) **SAFETY KNIFE**

(75) Inventor: **William Alfred Ireland**, Churchdown
(GB)

(73) Assignee: **W A 1 Designs Limited**, Somerset (GB)

(**) Term: **14 Years**

(21) Appl. No.: **29/378,940**

(22) Filed: **Nov. 11, 2010**

(51) **LOC (9) Cl.** **08-03**

(52) **U.S. Cl.** **D8/98; D8/100**

(58) **Field of Classification Search** D8/98-100,
D8/102, 105; 30/2, 280, 286-287, 314, 317;
D22/118

See application file for complete search history.

(56) **References Cited**

U.S. PATENT DOCUMENTS

| | | | | | |
|-----------|------|---------|-------------------|-------|---------|
| 3,751,806 | A * | 8/1973 | Patrick | | 30/294 |
| D230,007 | S * | 1/1974 | Cramer et al. | | D8/98 |
| D239,623 | S * | 4/1976 | Behunin | | D22/118 |
| 5,046,253 | A * | 9/1991 | Ireland | | 30/289 |
| D362,168 | S * | 9/1995 | Mancini | | D8/98 |
| D481,609 | S * | 11/2003 | Perlmutter et al. | | D8/99 |
| D514,916 | S * | 2/2006 | Craig | | D8/102 |
| 7,003,884 | B2 * | 2/2006 | Perlmutter et al. | | 30/162 |
| D589,589 | S * | 3/2009 | McCloudry et al. | | D22/149 |
| D590,687 | S * | 4/2009 | Ireland | | D8/98 |
| 7,818,885 | B2 * | 10/2010 | Lafauci et al. | | 30/294 |

| | | | | | |
|--------------|------|---------|----------------|-------|---------|
| D633,616 | S * | 3/2011 | Lafauci et al. | | D24/147 |
| D637,883 | S * | 5/2011 | Yu Chen | | D8/98 |
| 2008/0271323 | A1 * | 11/2008 | Perlmutter | | 30/162 |
| 2011/0232103 | A1 * | 9/2011 | Sendel | | 30/152 |

OTHER PUBLICATIONS

The "Shark" Knife. Downloaded at <http://www.safetyknife.net/shark.htm> on Nov. 18, 2011.*

* cited by examiner

Primary Examiner — Philip S Hyder

Assistant Examiner — Roselynn Cody

(74) *Attorney, Agent, or Firm* — Hamilton, DeSanctis & Cha

(57) **CLAIM**

The ornamental design for a safety knife, as shown.

DESCRIPTION

FIG. 1 is a perspective view of a safety knife showing a first blade position;

FIG. 2 is a reverse perspective view of the safety knife of FIG. 1.

FIG. 3 is a front view of the safety knife of FIG. 1;

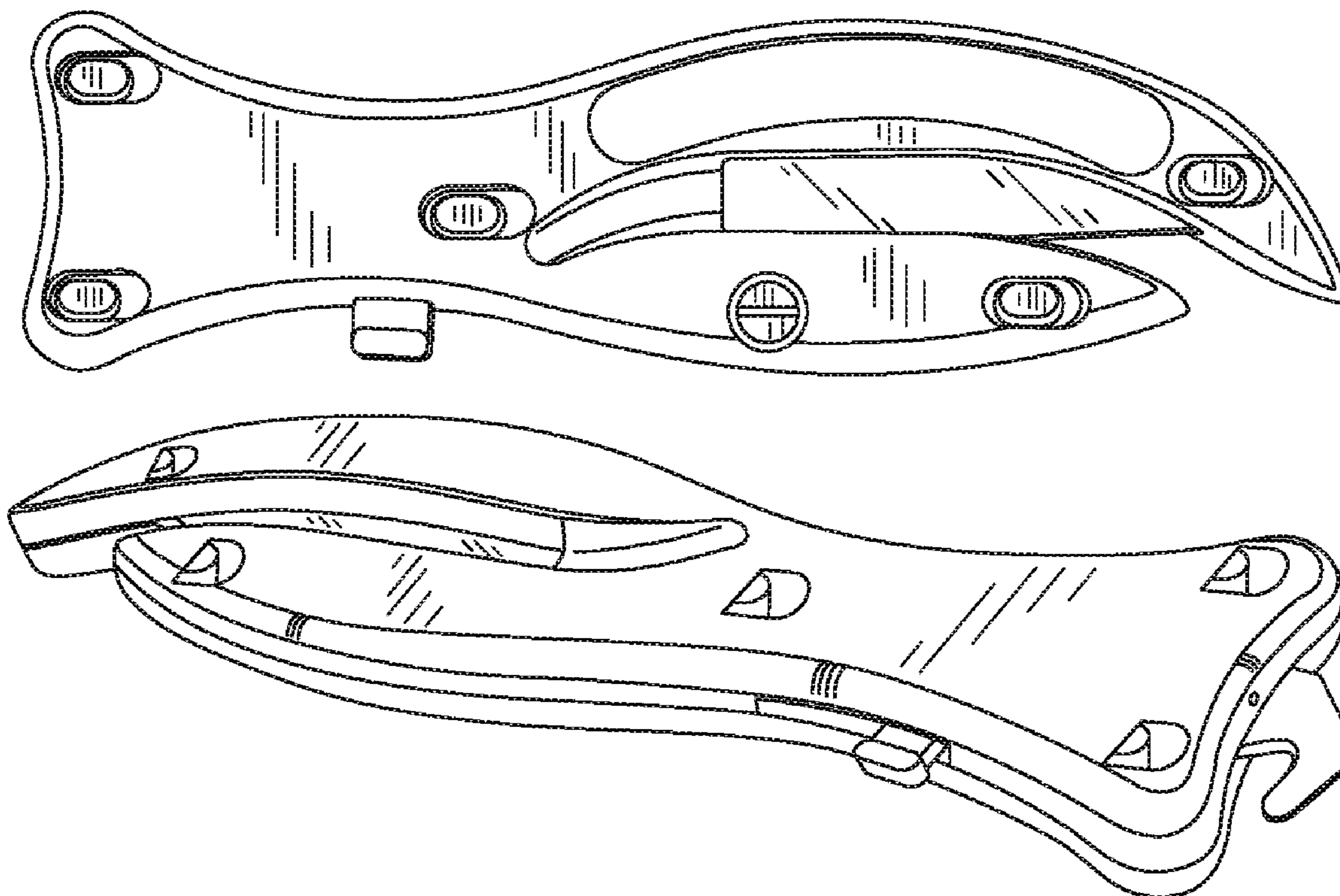
FIG. 4 is a back view of the safety knife of FIG. 1;

FIG. 5 is a front view of a safety knife showing a second blade position;

FIG. 6 is a back view of the safety knife of FIG. 5; and,

FIG. 7 is a reverse perspective view of the safety knife of FIG. 5.

1 Claim, 3 Drawing Sheets



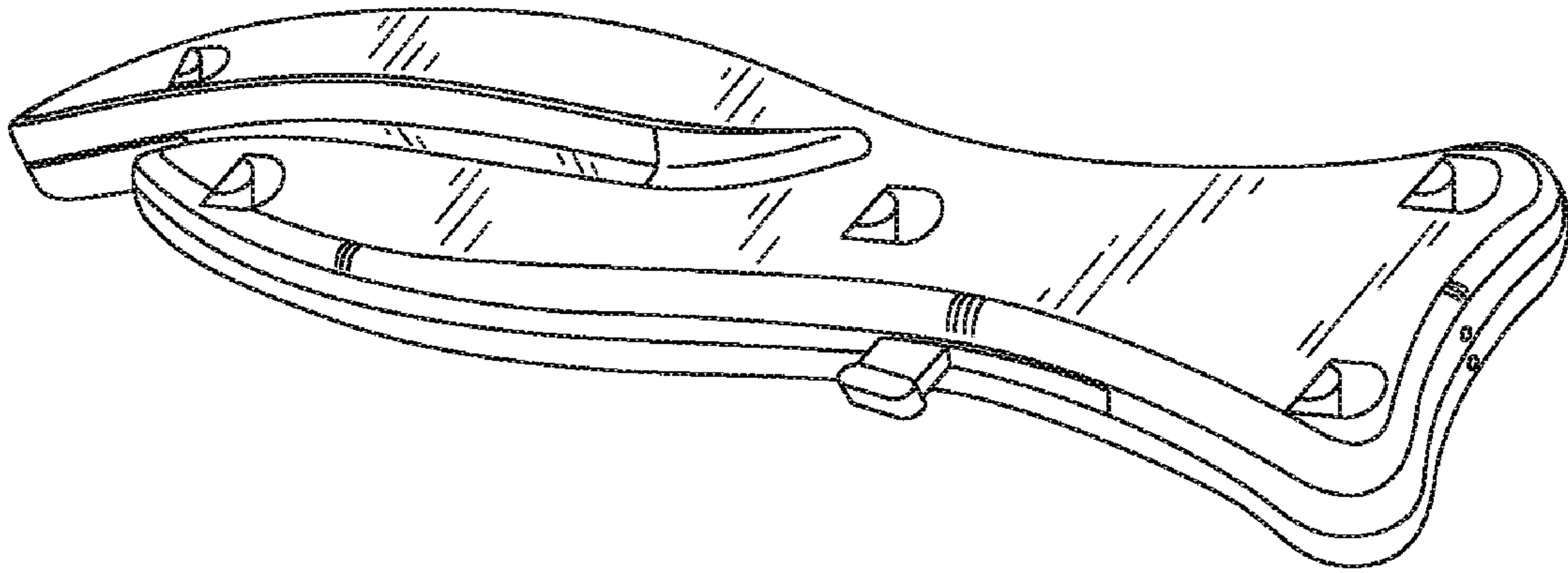


FIG. 1

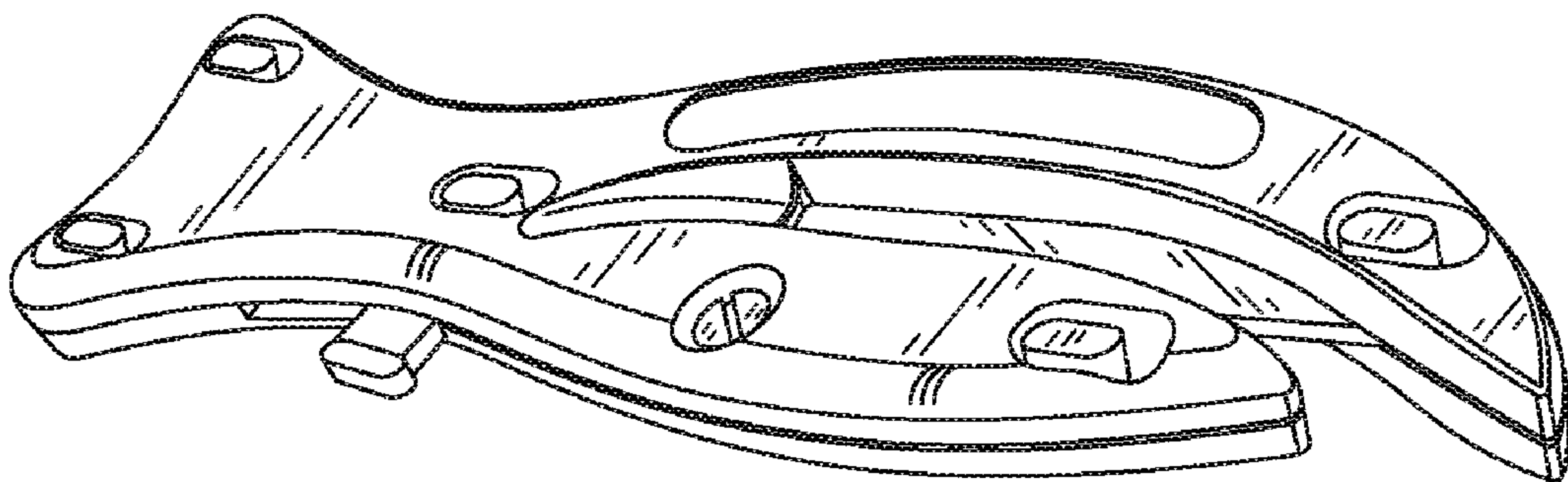


FIG. 2

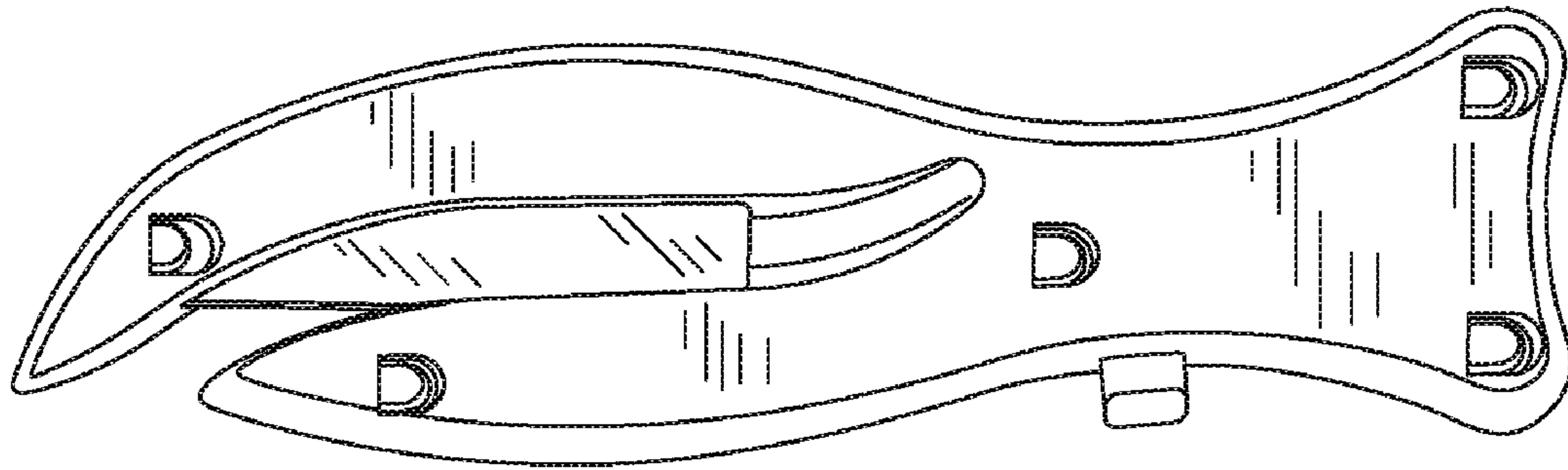


FIG.3

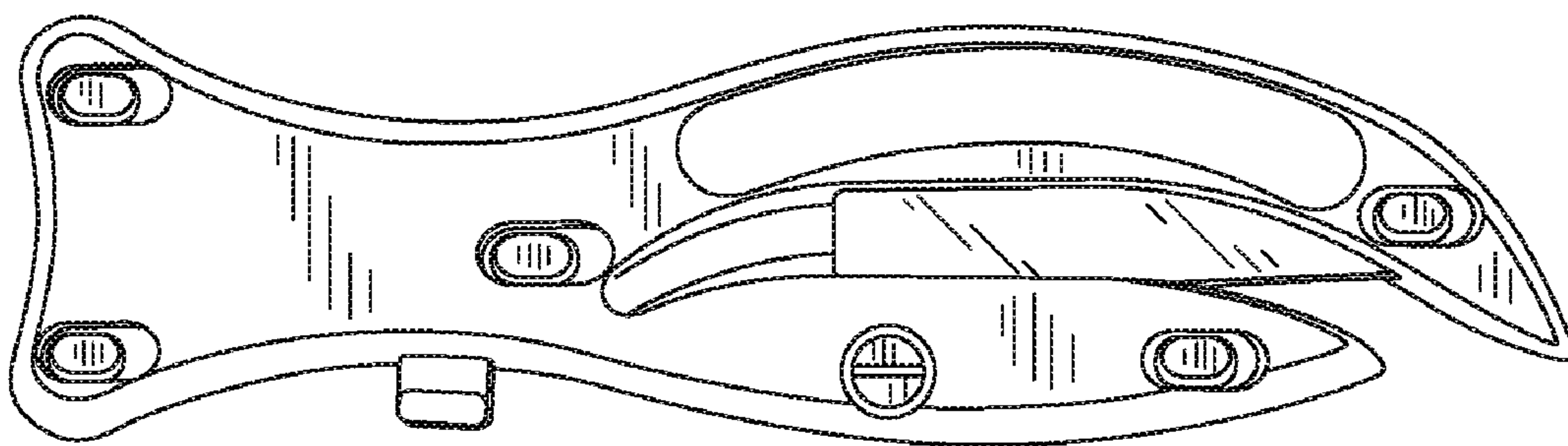


FIG.4

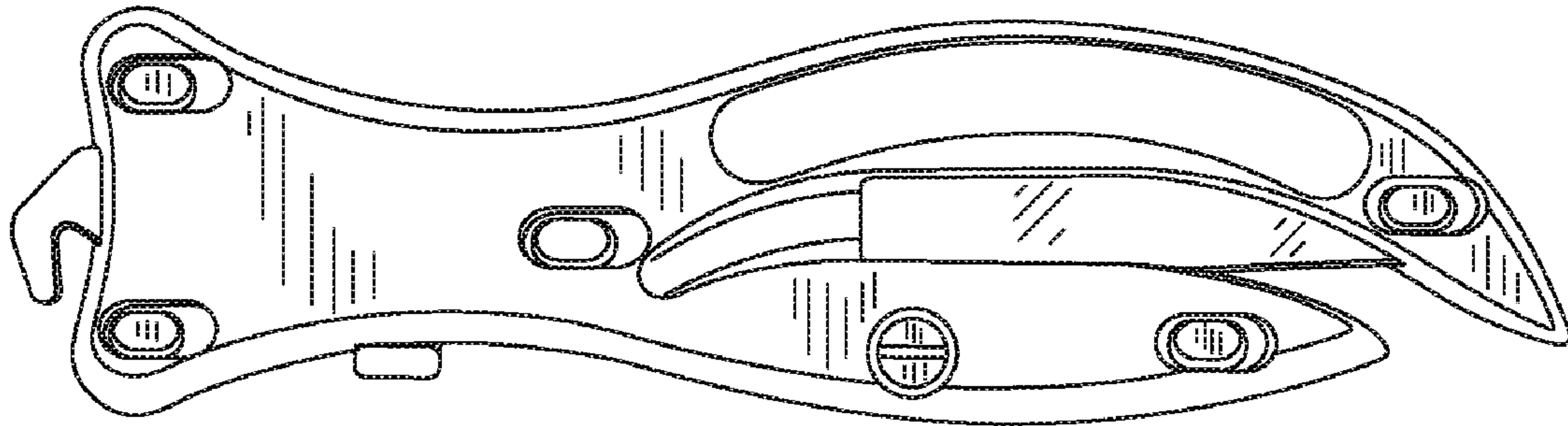


FIG. 5

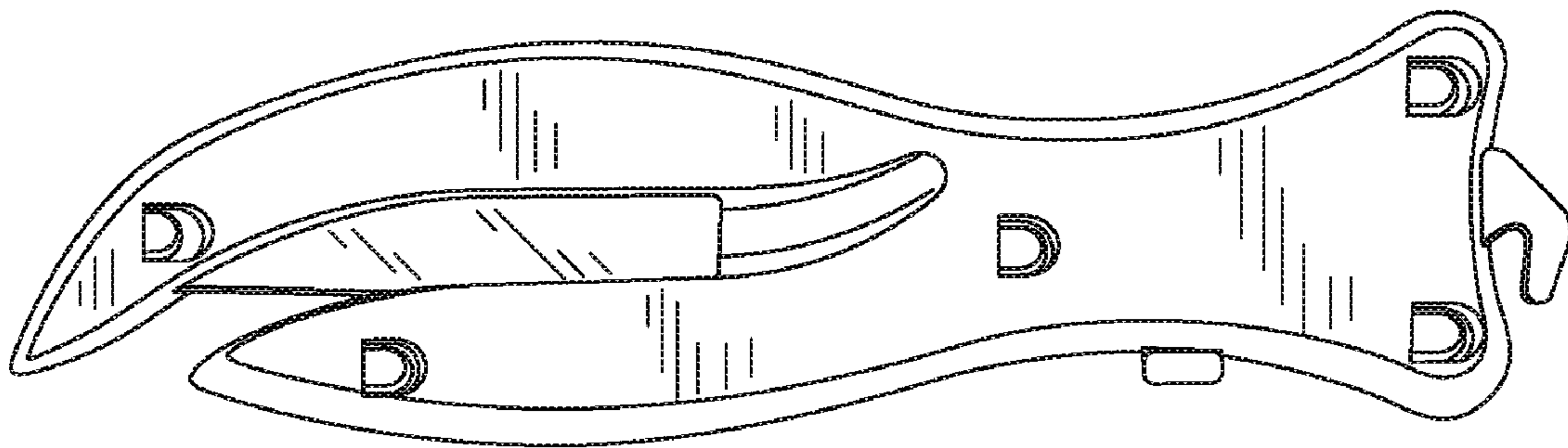


FIG. 6

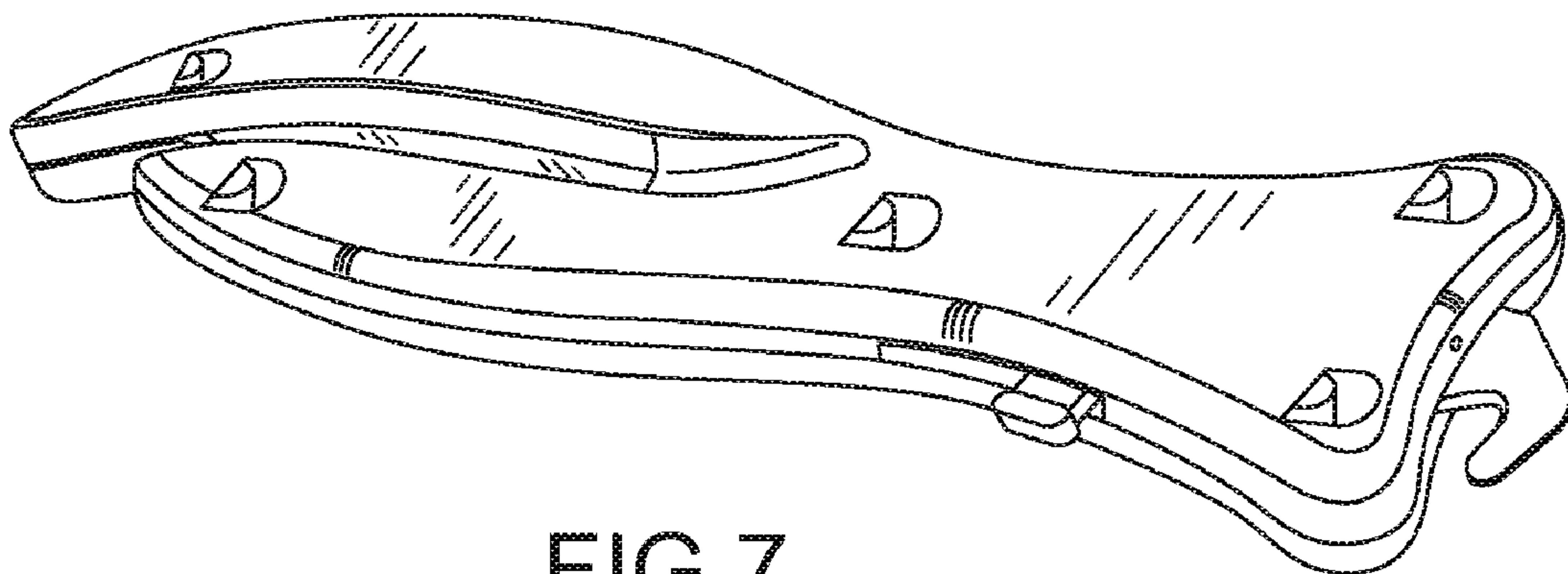


FIG. 7