



US00D655995S

(12) **United States Design Patent**
Ireland

(10) **Patent No.:** **US D655,995 S**

(45) **Date of Patent:** **** Mar. 20, 2012**

(54) **SAFETY KNIFE**

(75) **Inventor:** **William Alfred Ireland**, Churchdown
(GB)

(73) **Assignee:** **W A 1 Designs Limited**, Somerset (GB)

(**) **Term:** **14 Years**

(21) **Appl. No.:** **29/378,938**

(22) **Filed:** **Nov. 11, 2010**

(51) **LOC (9) Cl.** **08-03**

(52) **U.S. Cl.** **D8/98; D8/100**

(58) **Field of Classification Search** D8/98-100,
D8/102, 105; 30/2, 280, 286-287, 314, 317;
D22/118

See application file for complete search history.

(56) **References Cited**

U.S. PATENT DOCUMENTS

3,751,806	A *	8/1973	Patrick	30/294
D230,007	S *	1/1974	Cramer et al.	D8/98
D239,623	S *	4/1976	Behunin	D22/118
5,046,253	A *	9/1991	Ireland	30/289
D362,168	S *	9/1995	Mancini	D8/98
D481,609	S *	11/2003	Perlmutter et al.	D8/99
D514,916	S *	2/2006	Craig	D8/102
7,003,884	B2 *	2/2006	Perlmutter et al.	30/162

D589,589	S *	3/2009	McCloudry et al.	D22/149
D590,687	S *	4/2009	Ireland	D8/98
7,818,885	B2 *	10/2010	Lafauci et al.	30/294
D633,616	S *	3/2011	Lafauci et al.	D24/147
D637,883	S *	5/2011	Yu Chen	D8/98
2008/0271323	A1 *	11/2008	Perlmutter	30/162
2011/0232103	A1 *	9/2011	Sendel	30/152

OTHER PUBLICATIONS

The "Shark" Knife. Downloaded at <http://www.safetyknife.net/shark.htm> on Nov. 18, 2011.*

* cited by examiner

Primary Examiner — Philip S Hyder

Assistant Examiner — Roselynn Cody

(74) *Attorney, Agent, or Firm* — Hamilton, DeSanctis & Cha

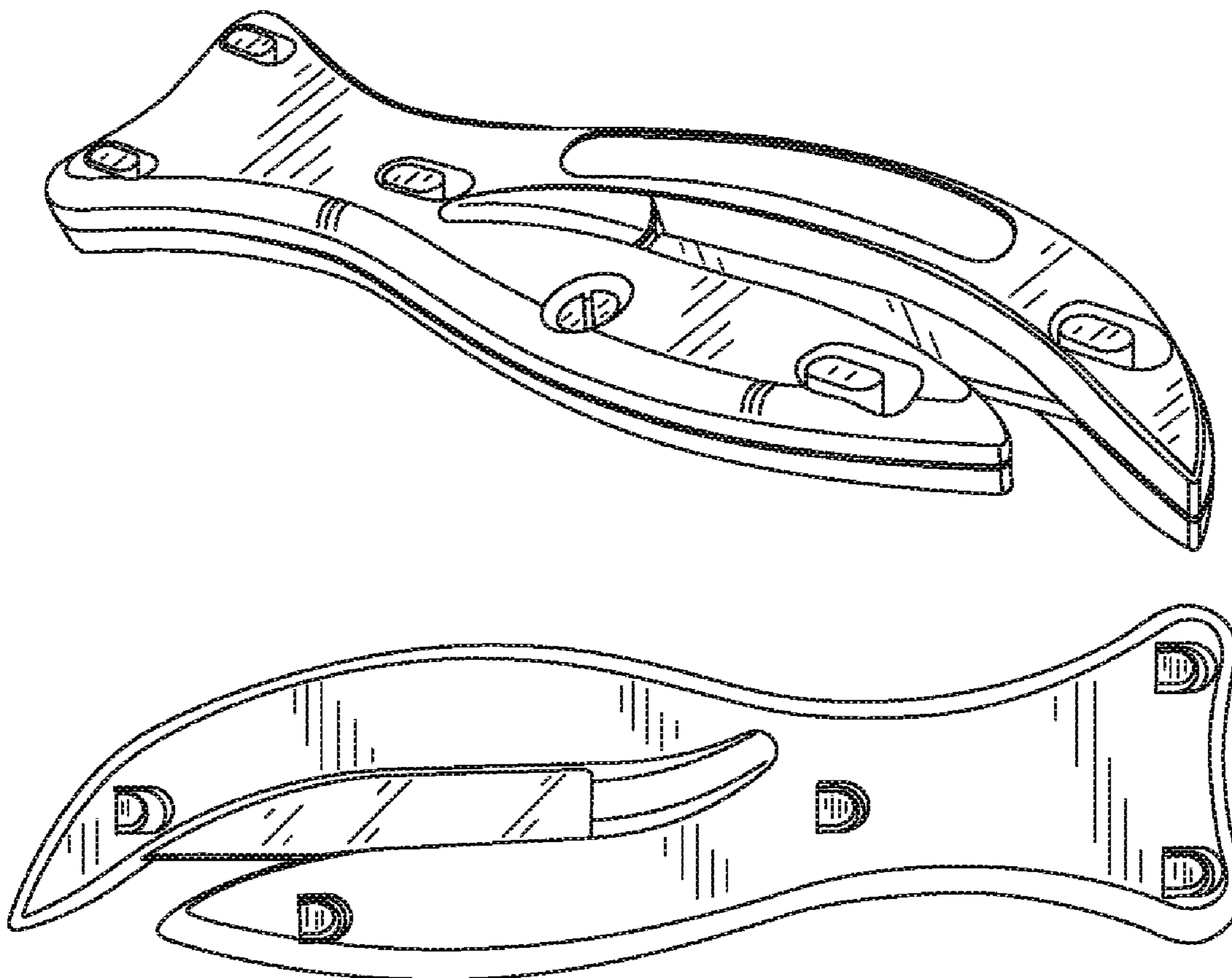
(57) **CLAIM**

The ornamental design for a safety knife, as shown.

DESCRIPTION

FIG. 1 is a perspective view of a safety knife in accordance with an embodiment of the present invention; FIG. 2 is a front view of the safety knife of FIG. 1; FIG. 3 is a back view of the safety knife of FIG. 1; and, FIG. 4 is a reverse perspective view of the safety knife of FIG. 1.

1 Claim, 2 Drawing Sheets



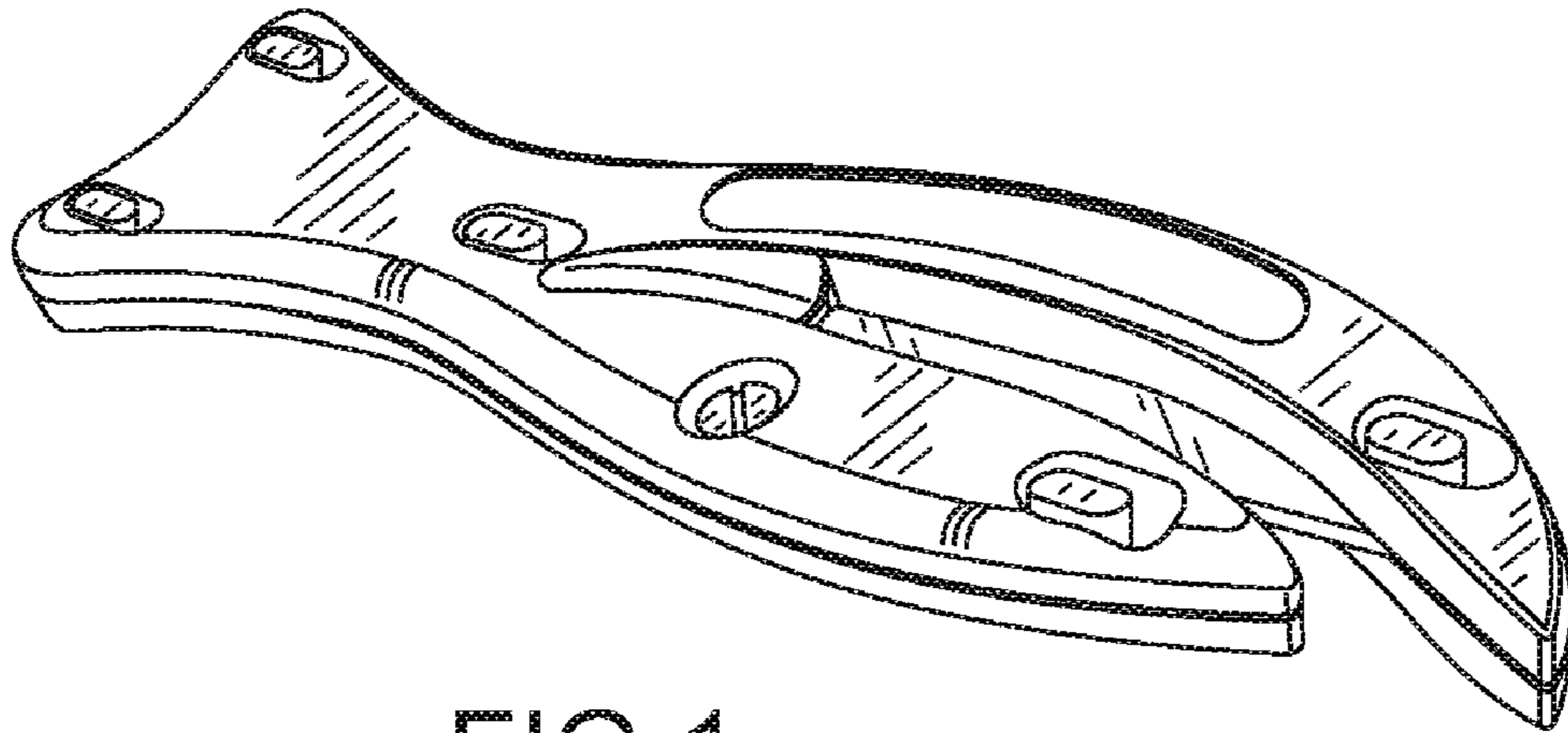


FIG. 1

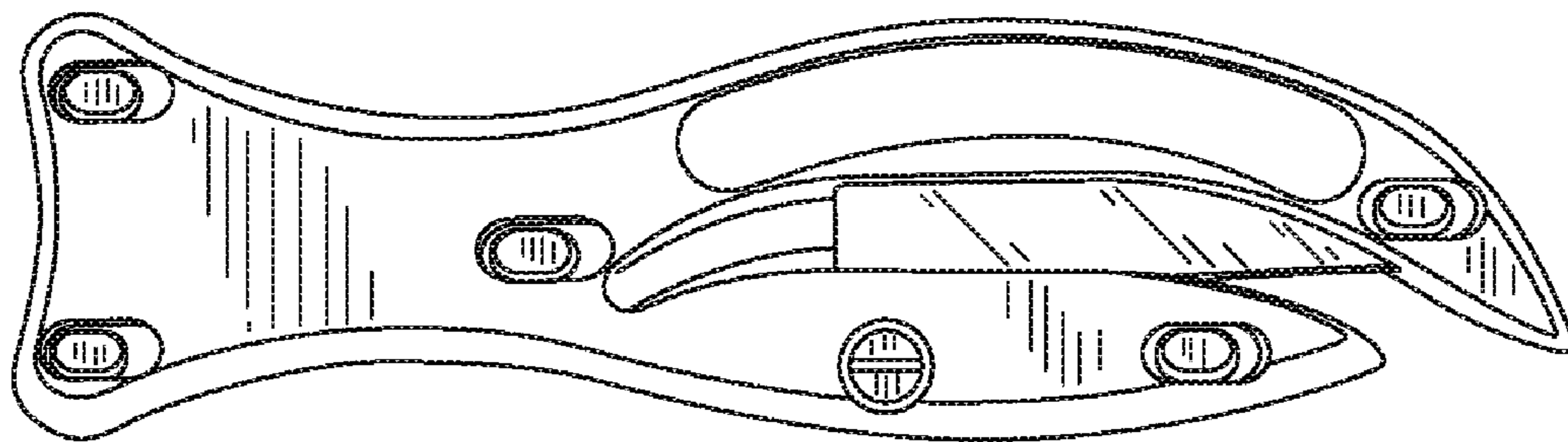


FIG. 2

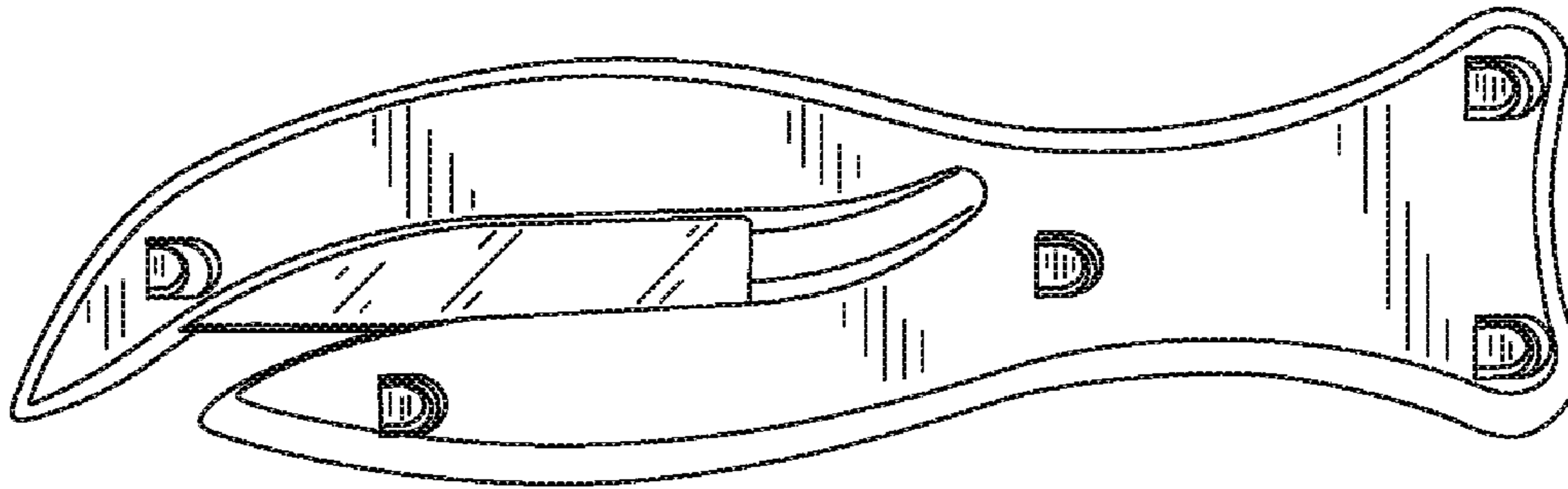


FIG. 3

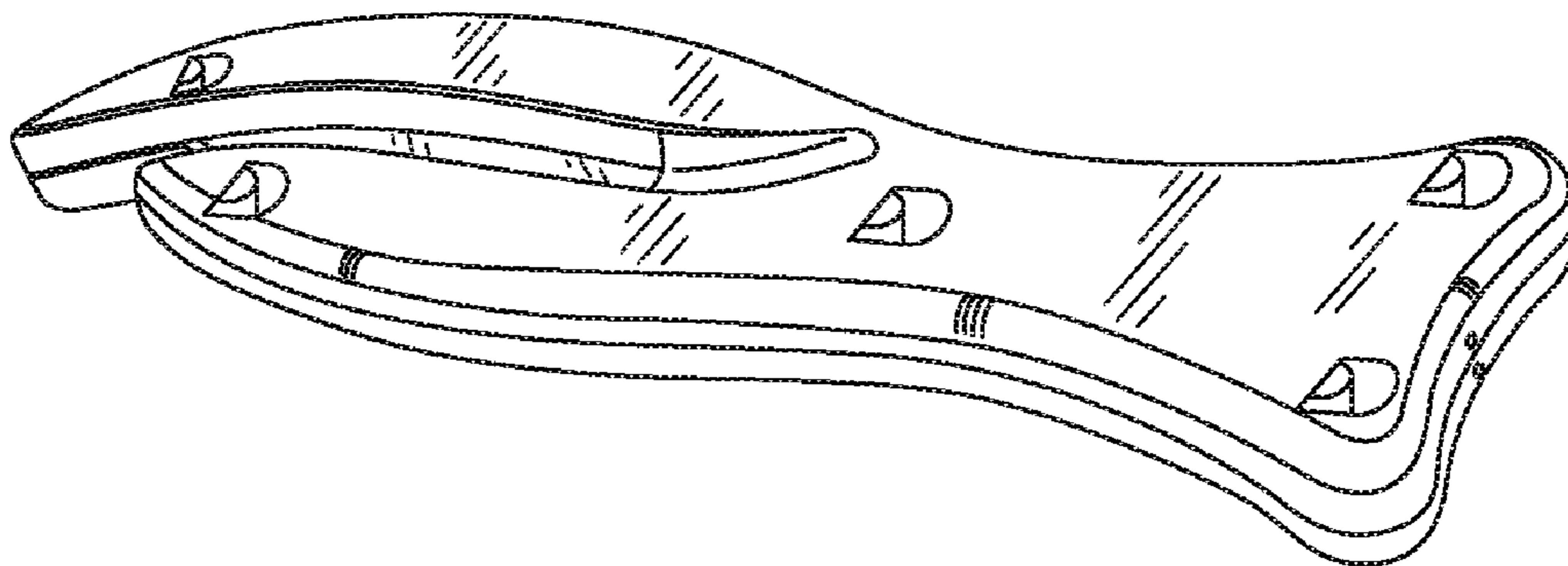


FIG. 4