



US00D655994S

(12) **United States Design Patent**  
**Schoch**

(10) **Patent No.:** **US D655,994 S**

(45) **Date of Patent:** **\*\* Mar. 20, 2012**

(54) **IMPACT DRIVER**

(75) Inventor: **Robert B. Schoch**, Baltimore, MD (US)

(73) Assignee: **Black & Decker Inc.**, Newark, DE (US)

(\*\*) Term: **14 Years**

(21) Appl. No.: **29/392,213**

(22) Filed: **May 18, 2011**

(51) **LOC (9) Cl.** ..... **08-04**

(52) **U.S. Cl.** ..... **D8/68**

(58) **Field of Classification Search** ..... D8/61-70;  
81/57.11, 429, 454-456, 469, 489; 173/13,  
173/46, 104, 114, 167-173, 178, 201, 211,  
173/213, 214, 217, 198; 227/8, 113, 114,  
227/120, 130, 136, 142; 310/50; 408/20,  
408/35, 117, 124, 125, 234, 241 R, 58, 67;  
451/358; 7/158, 165

See application file for complete search history.

(56) **References Cited**

**U.S. PATENT DOCUMENTS**

D536,944 S \* 2/2007 Tsai et al. .... D8/68  
D554,962 S \* 11/2007 Ino ..... D8/68

D560,990 S \* 2/2008 Aglassinger ..... D8/68  
D562,663 S \* 2/2008 Wang ..... D8/68  
D585,714 S \* 2/2009 Okuda et al. .... D8/68  
D585,715 S \* 2/2009 Okuda et al. .... D8/68  
D628,038 S \* 11/2010 Aoki et al. .... D8/68

\* cited by examiner

*Primary Examiner* — Antoine D Davis

(74) *Attorney, Agent, or Firm* — Stephen R. Valancius

(57) **CLAIM**

The ornamental design for an impact driver, as shown and described.

**DESCRIPTION**

FIG. 1 is a perspective view of an impact driver according to the present invention;  
FIG. 2 is a front view of the impact driver of FIG. 1;  
FIG. 3 is a back view of the impact driver of FIG. 1;  
FIG. 4 is a right side view of the impact driver of FIG. 1;  
FIG. 5 is a left side view of the impact driver of FIG. 1;  
FIG. 6 is a top view of the impact driver of FIG. 1; and,  
FIG. 7 is a bottom view of the impact driver of FIG. 1.  
The broken lines in the figures illustrate features that form no part of the claimed design.

**1 Claim, 7 Drawing Sheets**







FIG. 1



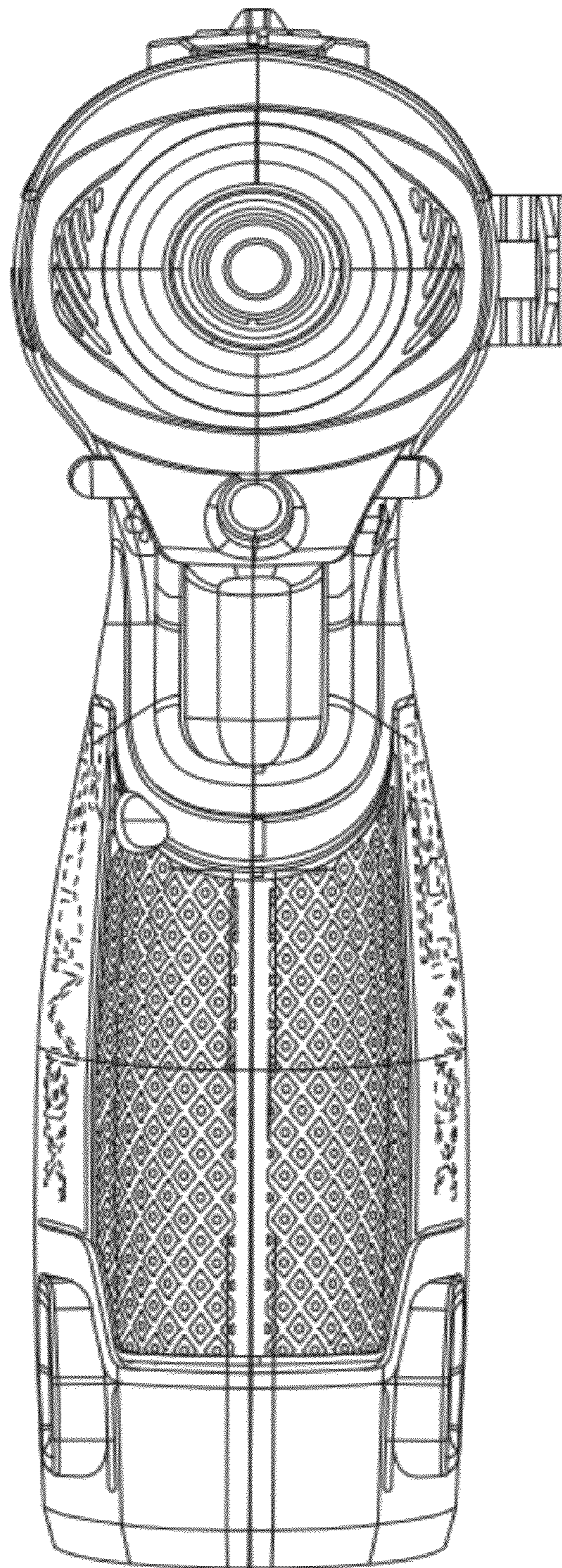


FIG. 2



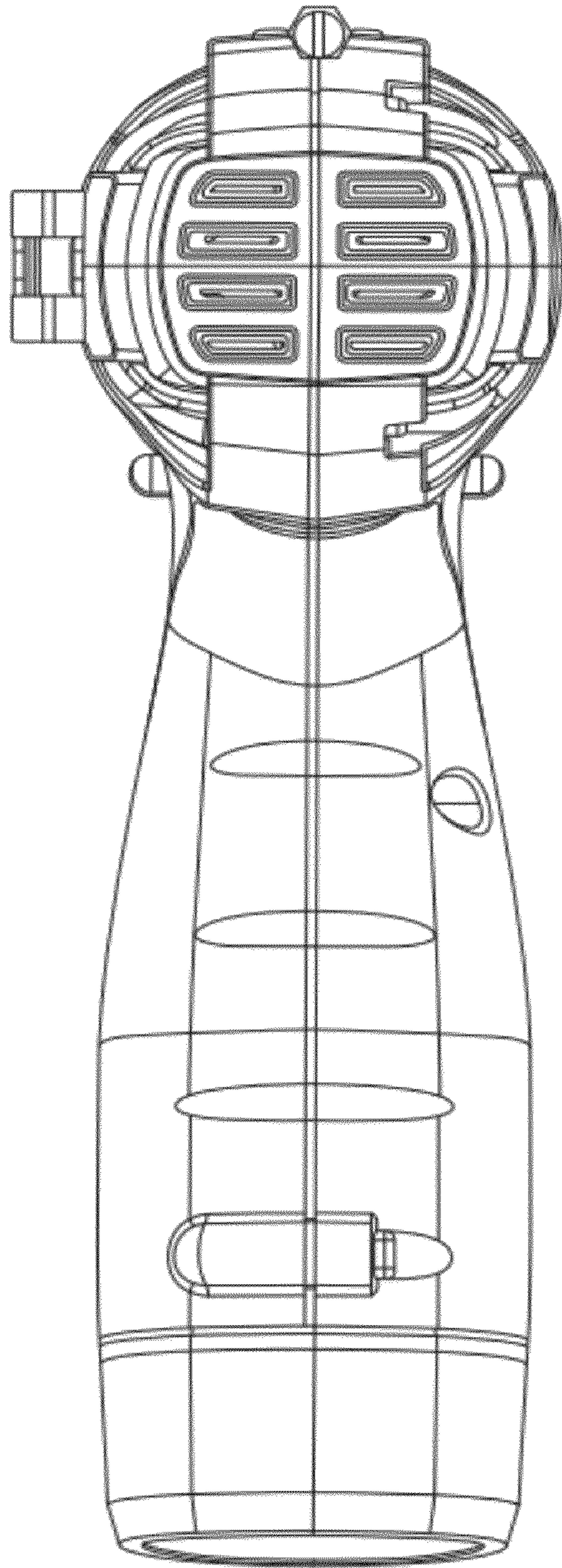


FIG. 3



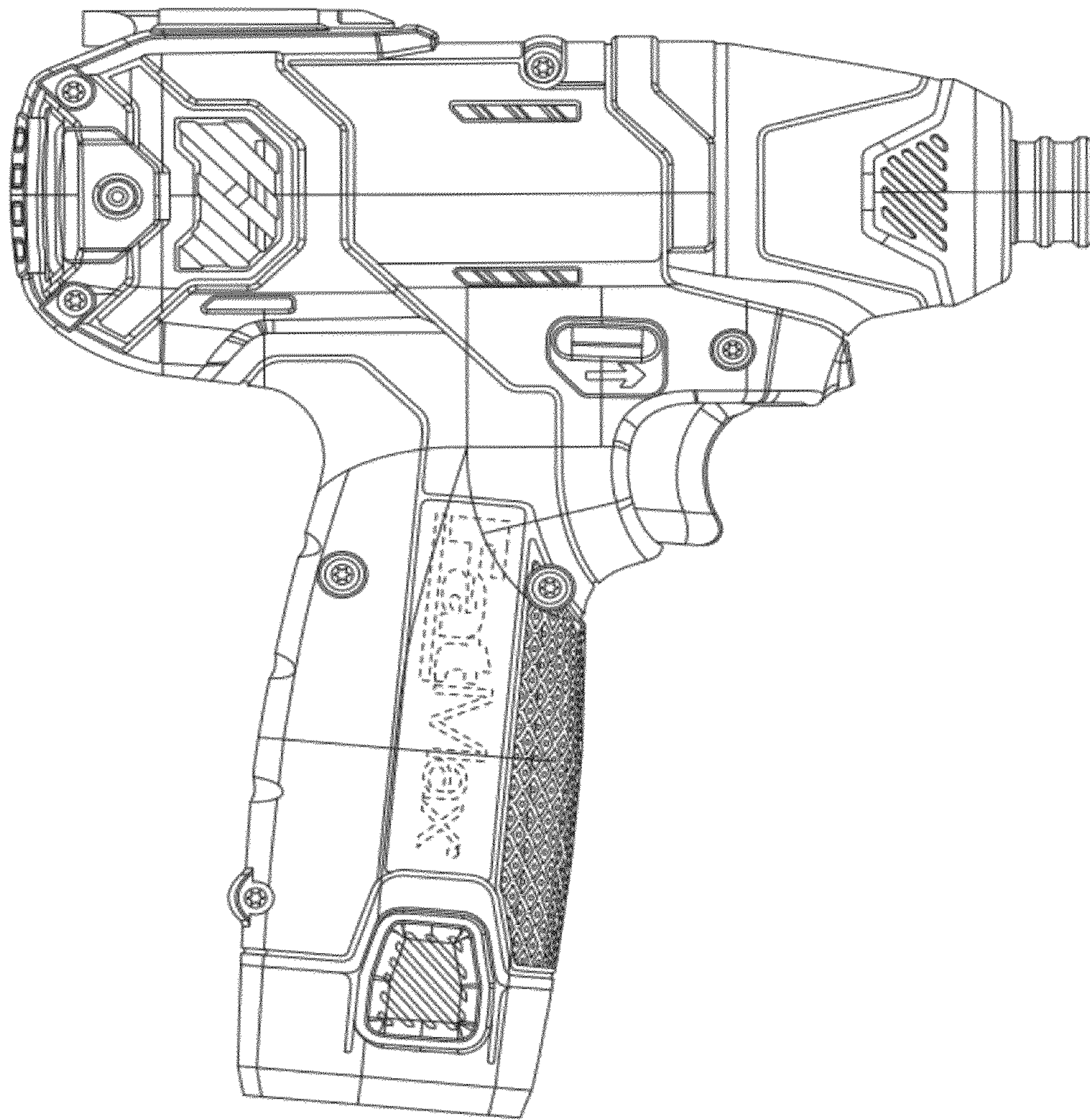


FIG. 4



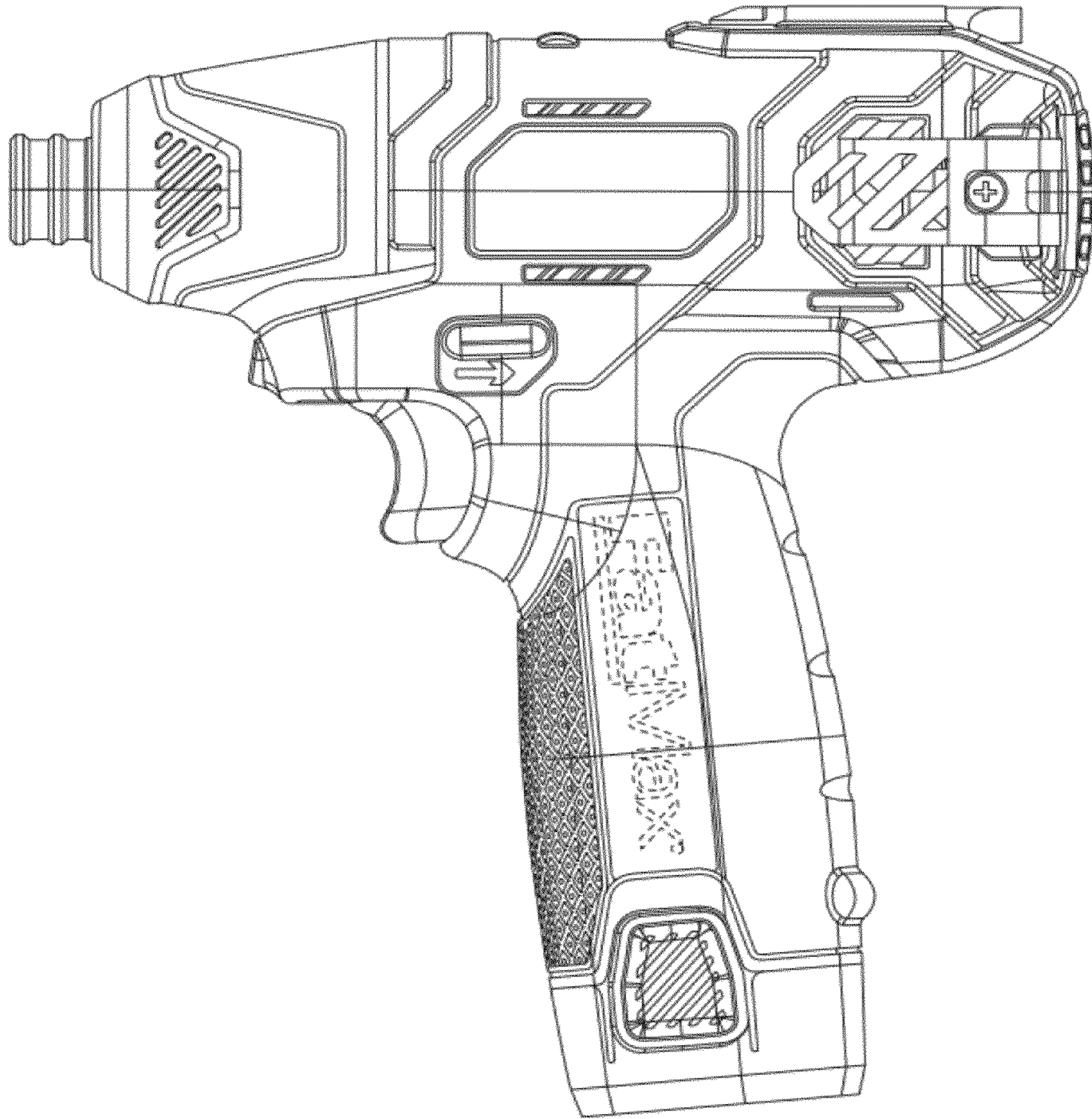


FIG. 5

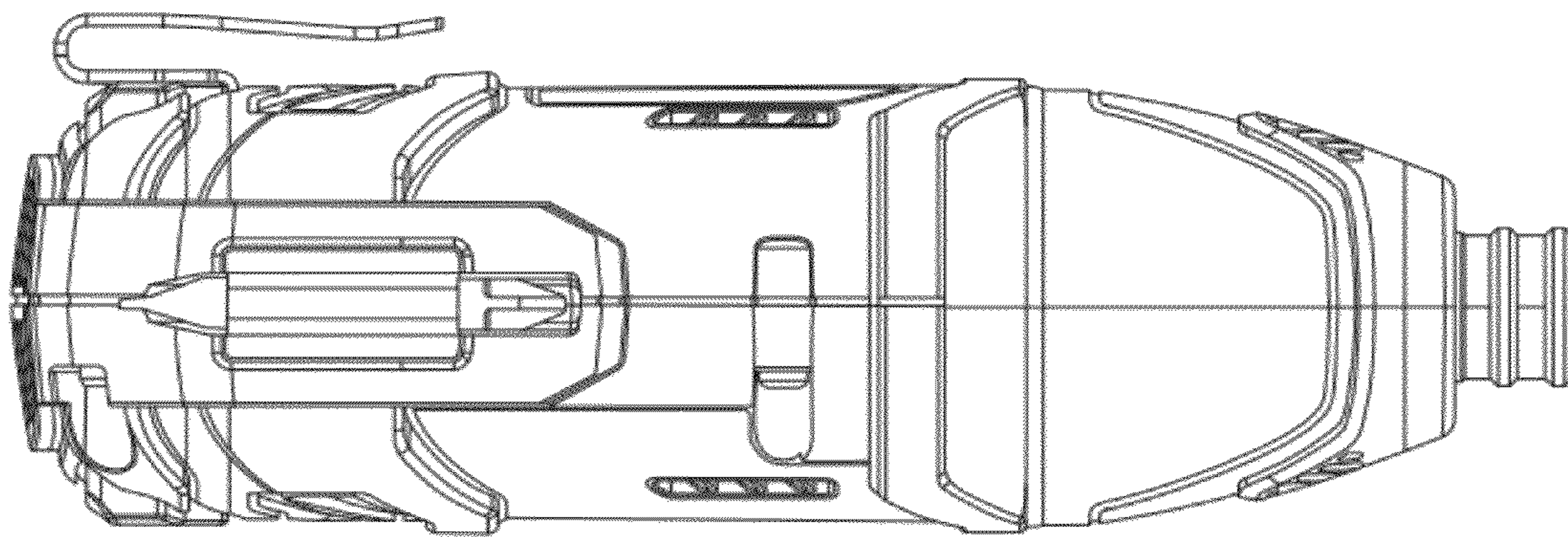


FIG. 6



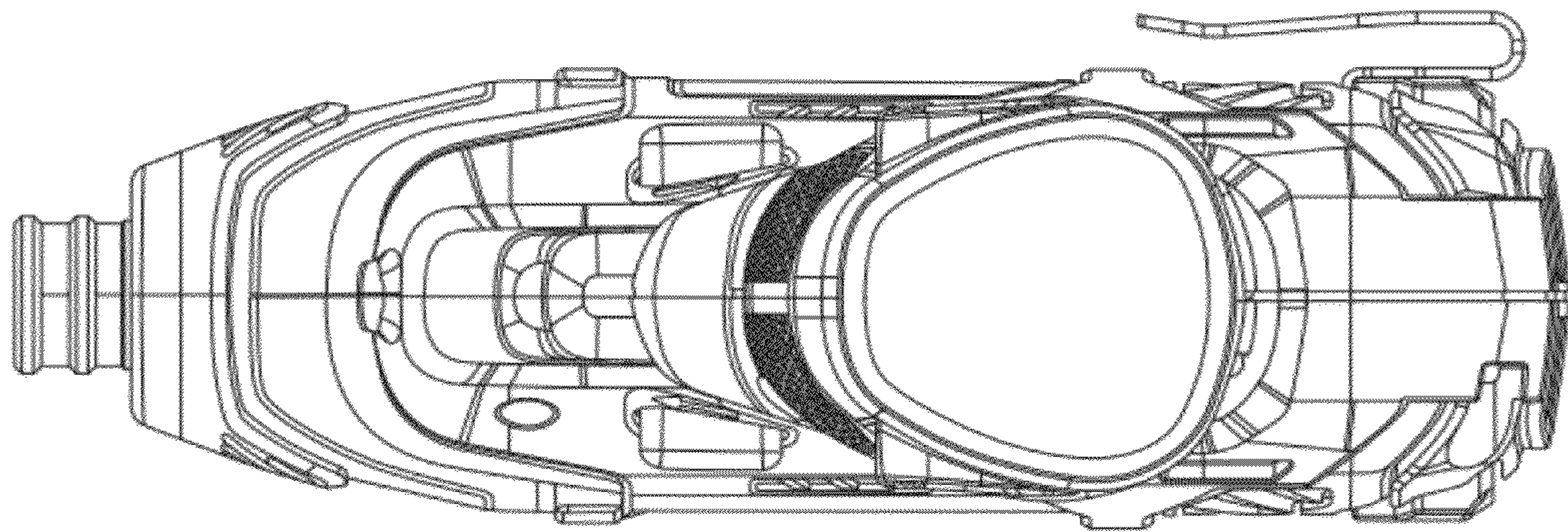


FIG. 7