



US00D655993S

(12) **United States Design Patent**  
**Bunnag et al.**

(10) **Patent No.:** **US D655,993 S**  
(45) **Date of Patent:** **\*\* Mar. 20, 2012**

(54) **STAR ROLLER**

(75) Inventors: **Paradee Bunnag**, Waynesboro, VA  
(US); **James Naderi**, Richmond, VA  
(US)

(73) Assignee: **American Safety Razor**, Verona, VA  
(US)

(\*\*) Term: **14 Years**

(21) Appl. No.: **29/362,050**

(22) Filed: **May 19, 2010**

(51) **LOC (9) Cl.** ..... **08-05**

(52) **U.S. Cl.** ..... **D8/15; D7/694**

(58) **Field of Classification Search** ..... D8/15,  
D8/105; 156/579, 304.7, 304.4; 492/13,  
492/19, 35, 43, 44, 15, 16; 30/306, 307,  
30/319, 314, 315, 329, 292, 299, 276; 7/111;  
D7/694, 672, 677, 368, 669, 697; 452/142;  
425/458, 363, 374, 398, 303, 304, 298, 194

See application file for complete search history.

(56) **References Cited**

U.S. PATENT DOCUMENTS

2,693,893 A \* 11/1954 Rice et al. .... 492/13  
3,994,652 A \* 11/1976 Kuzyk ..... 425/298  
D252,180 S \* 6/1979 Zuber ..... D7/694

D253,155 S \* 10/1979 Jurida ..... D7/694  
4,224,726 A \* 9/1980 Walker ..... 492/13  
4,439,904 A \* 4/1984 Hoopengardner et al. ... 156/579  
D341,427 S \* 11/1993 Koll ..... D24/211  
D401,815 S \* 12/1998 Filipovic ..... D7/682  
D402,513 S \* 12/1998 Goodrich ..... D8/15  
5,971,453 A \* 10/1999 Schlisner ..... 294/8.6  
D481,268 S \* 10/2003 Hibbert et al. .... D7/682  
6,685,609 B2 \* 2/2004 Carder ..... 492/13

\* cited by examiner

*Primary Examiner* — Terry Wallace

(74) *Attorney, Agent, or Firm* — McDermott Will & Emery  
LLP

(57) **CLAIM**

The ornamental design for a star roller, as shown and described.

**DESCRIPTION**

FIG. 1 is a top perspective view of the star roller, showing the new design;

FIG. 2 is a front view of the star roller;

FIG. 3 is a rear view of the star roller;

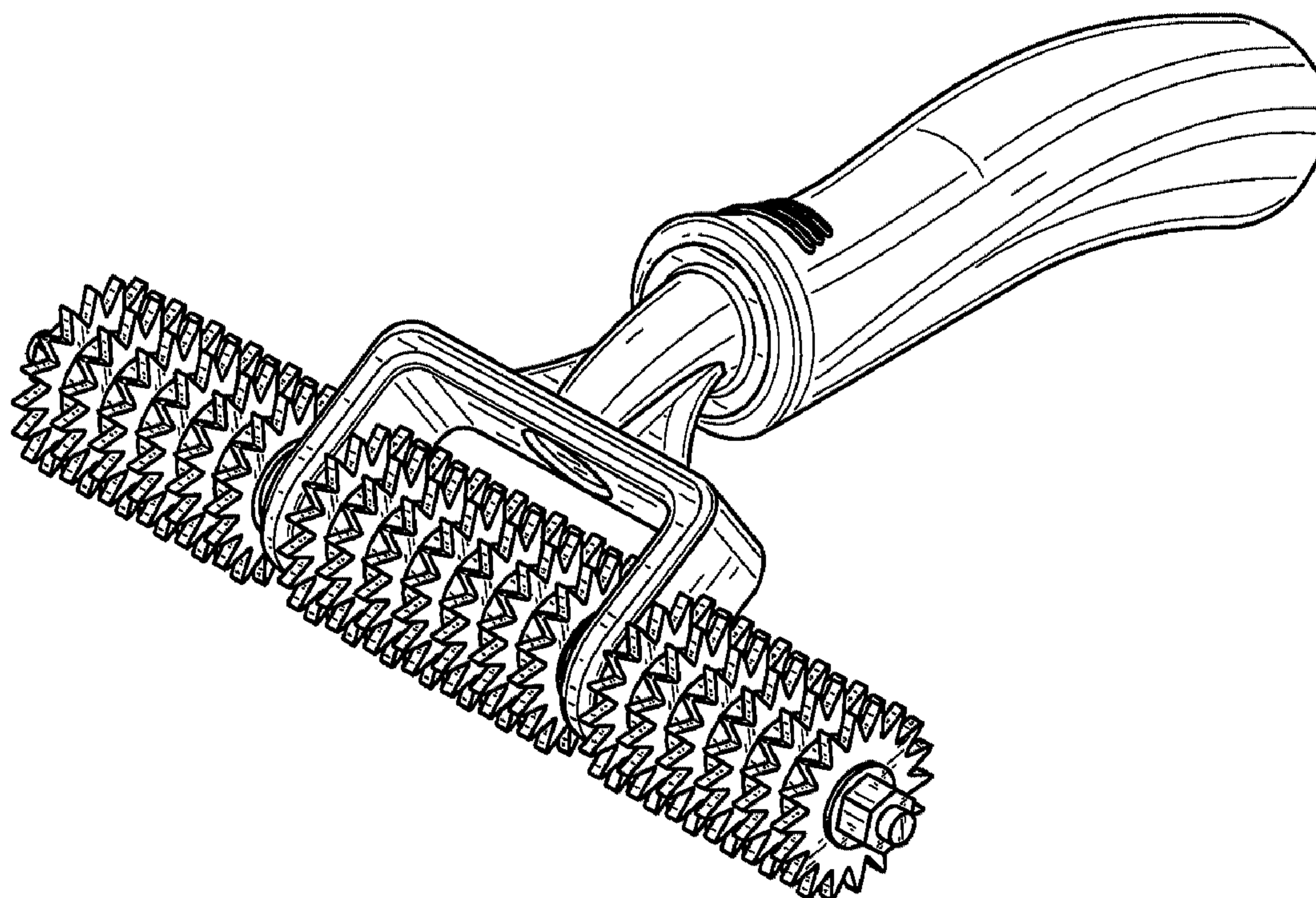
FIG. 4 is a side view of the star roller;

FIG. 5 is another side view of the star roller;

FIG. 6 is a top view of the star roller; and,

FIG. 7 is a bottom view of the star roller.

**1 Claim, 5 Drawing Sheets**



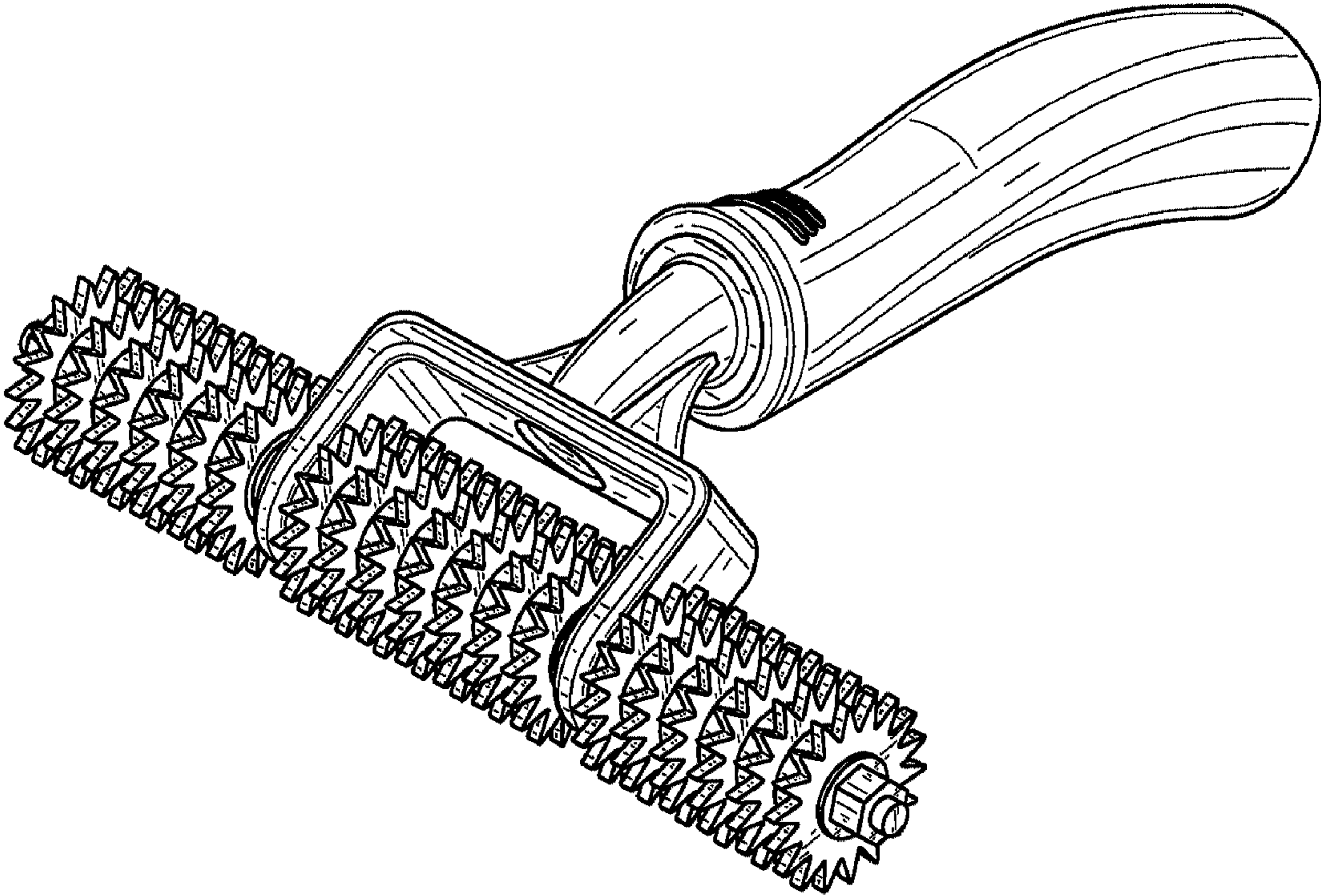


FIG. 1

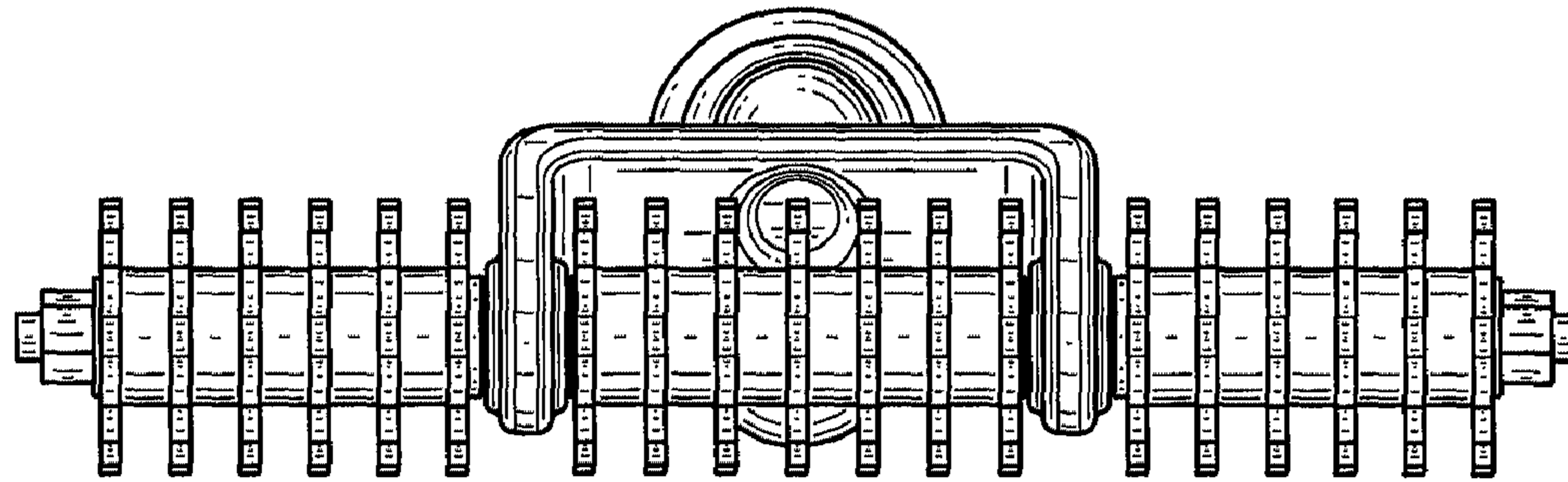


FIG. 2

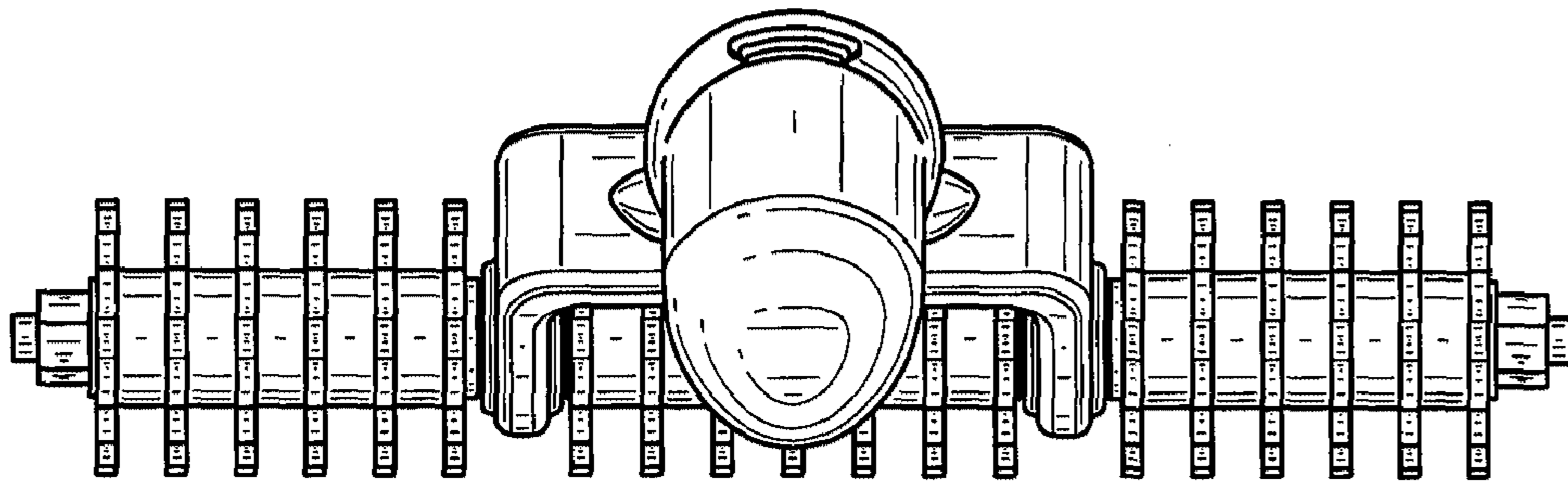


FIG. 3

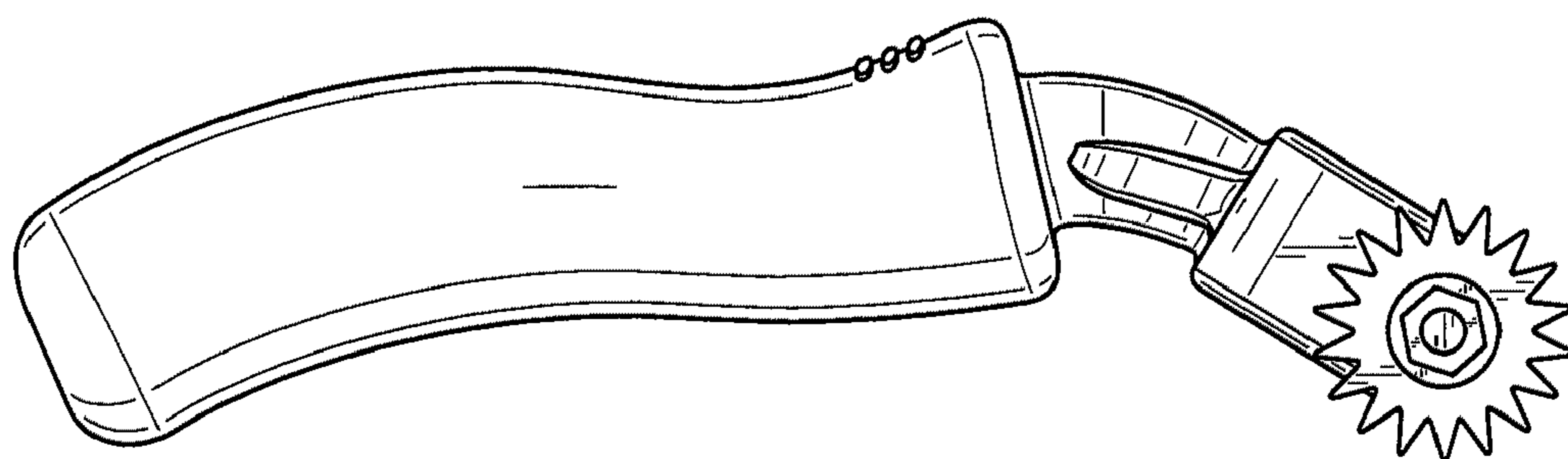


FIG. 4

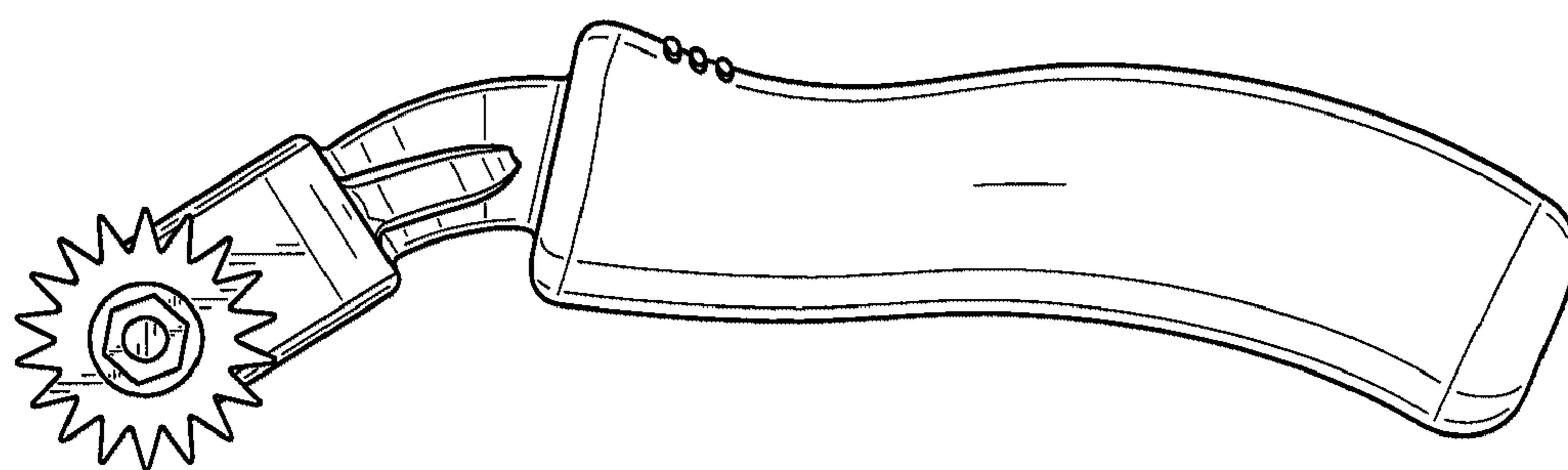


FIG. 5



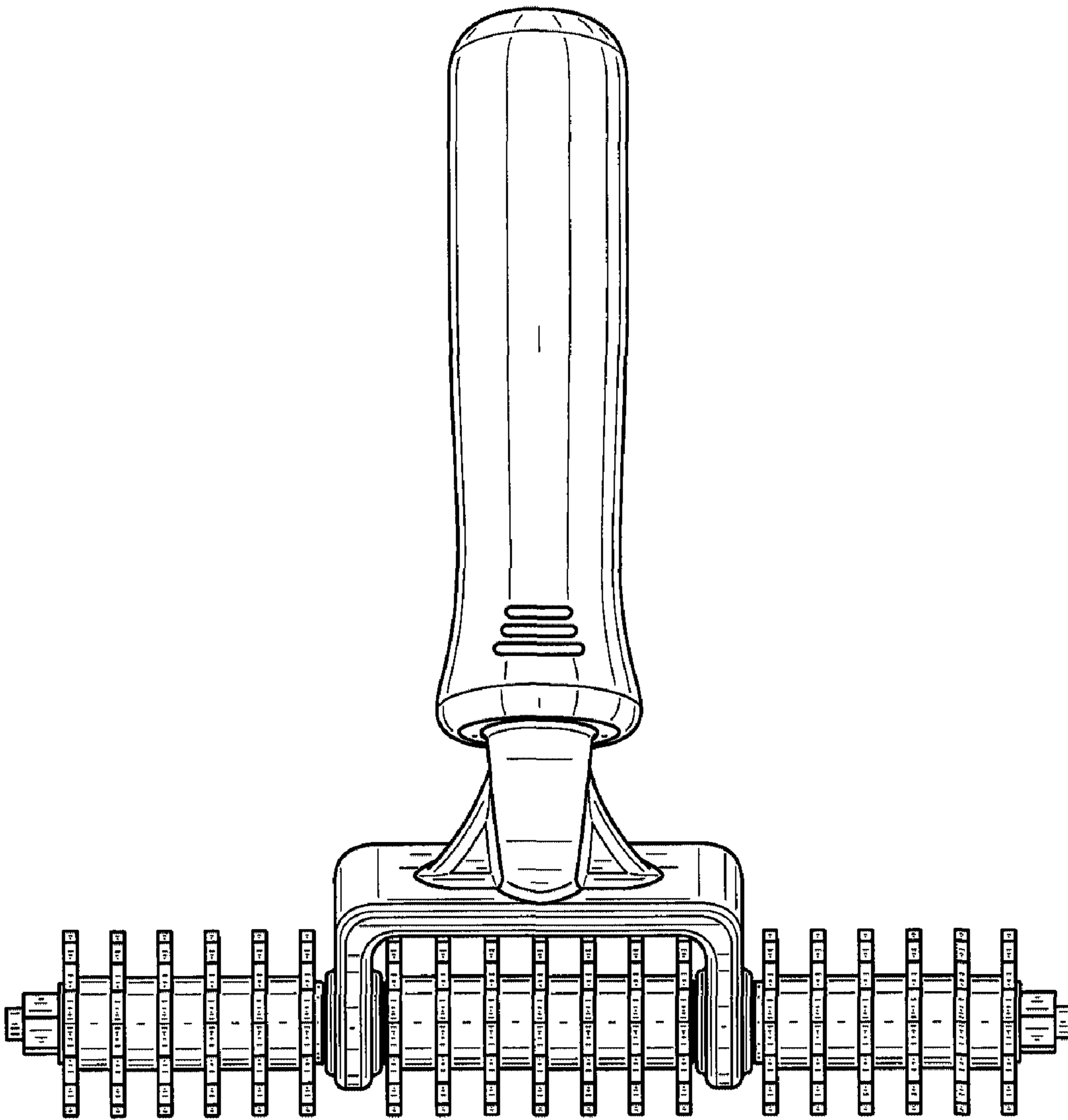


FIG. 6

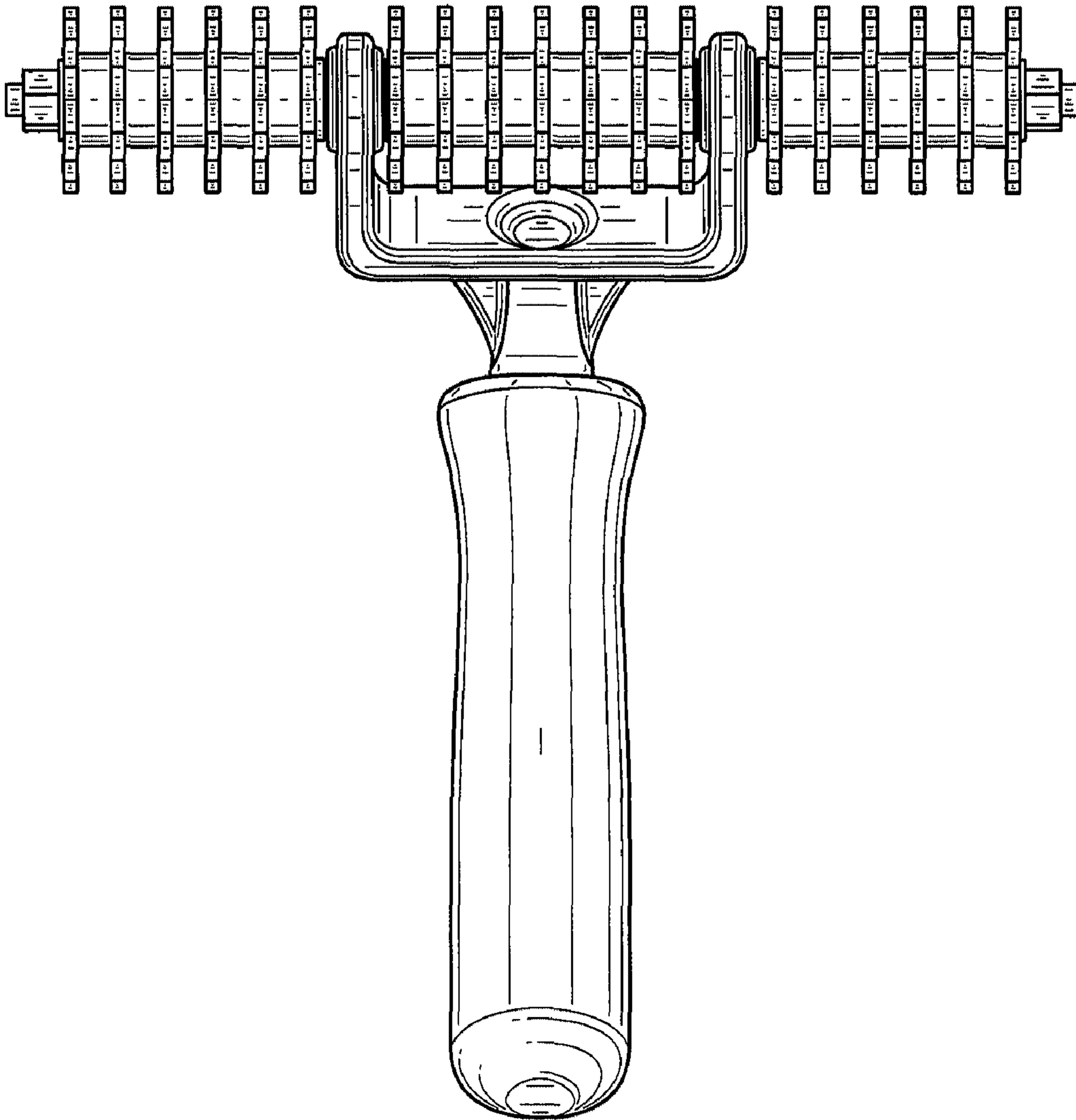


FIG. 7