



US00D655991S

(12) **United States Design Patent**
Yamamoto et al.

(10) **Patent No.:** **US D655,991 S**
(45) **Date of Patent:** **** Mar. 20, 2012**

(54) **ENGINE HEDGE TRIMMER**

(75) Inventors: **Yuji Yamamoto**, Aichi-ken (JP); **Koji Watanabe**, Shizuoka-ken (JP); **Tomoaki Sato**, Shizuoka-ken (JP)

(73) Assignee: **Makita Corporation**, Anjo-shi (JP)

(**) Term: **14 Years**

(21) Appl. No.: **29/365,670**

(22) Filed: **Jul. 13, 2010**

(30) **Foreign Application Priority Data**

Jan. 22, 2010 (JP) D2010-001416

(51) **LOC (9) Cl.** **08-01**

(52) **U.S. Cl.** **D8/8**

(58) **Field of Classification Search** D8/7, 8,
D8/9; 30/208, 276, 228, 382, 383, 216; 56/12.7,
56/233-237

See application file for complete search history.

(56) **References Cited**

U.S. PATENT DOCUMENTS

D560,984 S *	2/2008	Tinius	D8/8
D580,240 S *	11/2008	Murray	D8/8
D602,316 S *	10/2009	Cerretto	D8/8
D623,487 S *	9/2010	Tinius	D8/8
D624,371 S *	9/2010	Tinius	D8/8

FOREIGN PATENT DOCUMENTS

JP S 1039392 5/1999

OTHER PUBLICATIONS

Makita General Catalogue, 2005/2006.

* cited by examiner

Primary Examiner — Holly H. Baynham

Assistant Examiner — Sheryl Lane

(74) *Attorney, Agent, or Firm* — Oliff & Berridge, PLC

(57) **CLAIM**

The ornamental design for an engine hedge trimmer, as shown and described.

DESCRIPTION

FIG. 1 is a perspective view of top, front and left side of an engine hedge trimmer showing our new design;

FIG. 2 is front view thereof;

FIG. 3 is rear view thereof;

FIG. 4 is top plan view thereof;

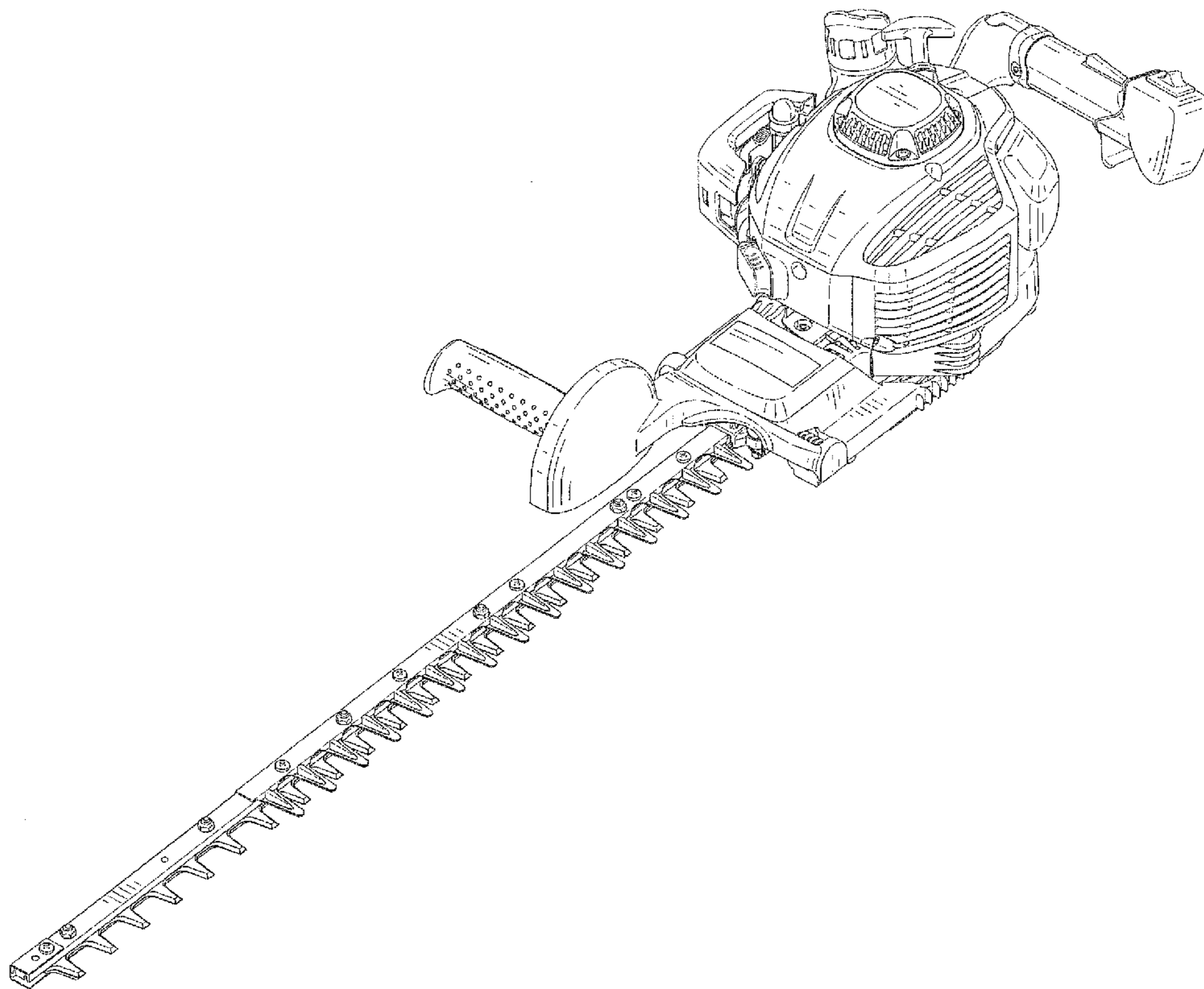
FIG. 5 is bottom view thereof;

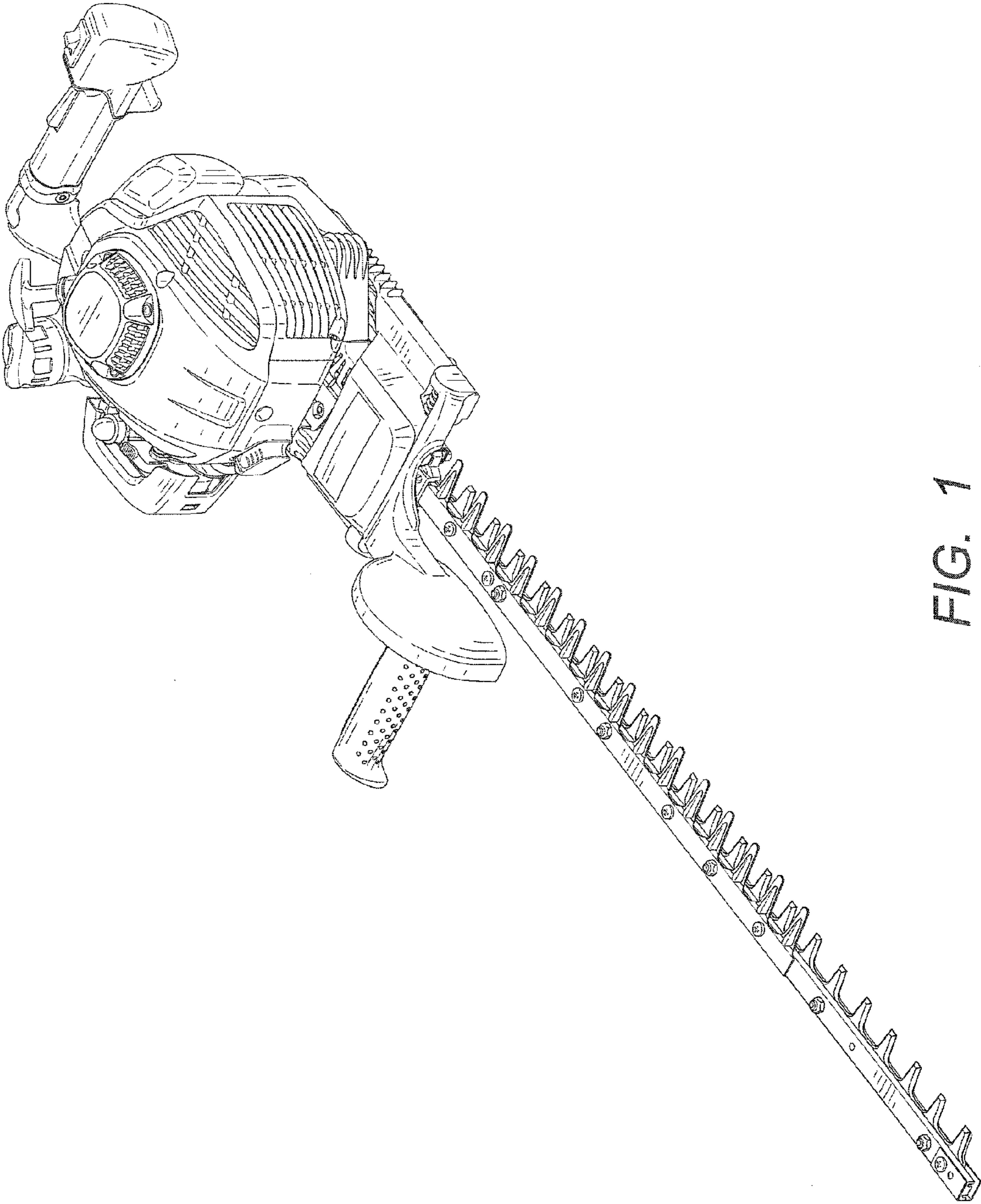
FIG. 6 is left side view thereof; and,

FIG. 7 is right side view thereof.

The broken line showing of the hedge trimmer has been included for the purpose of illustrating portions of the article and forms no part of the claimed design.

1 Claim, 4 Drawing Sheets





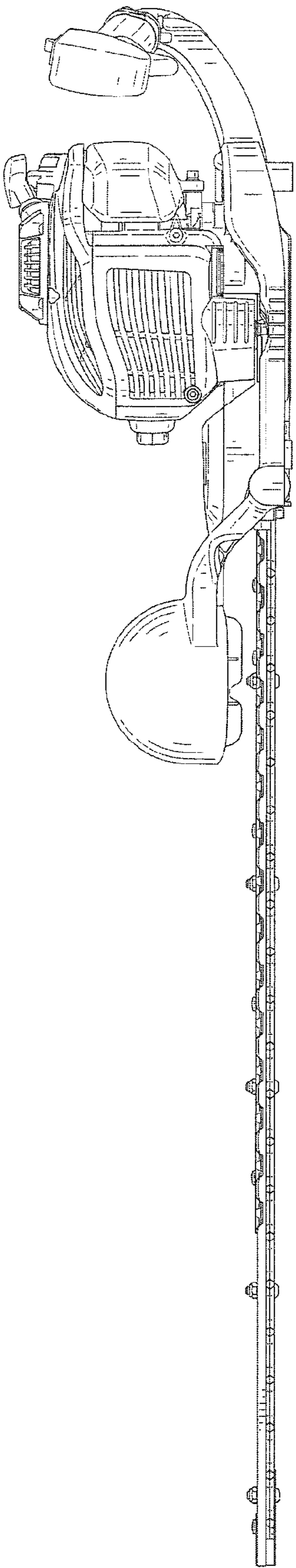


FIG. 2

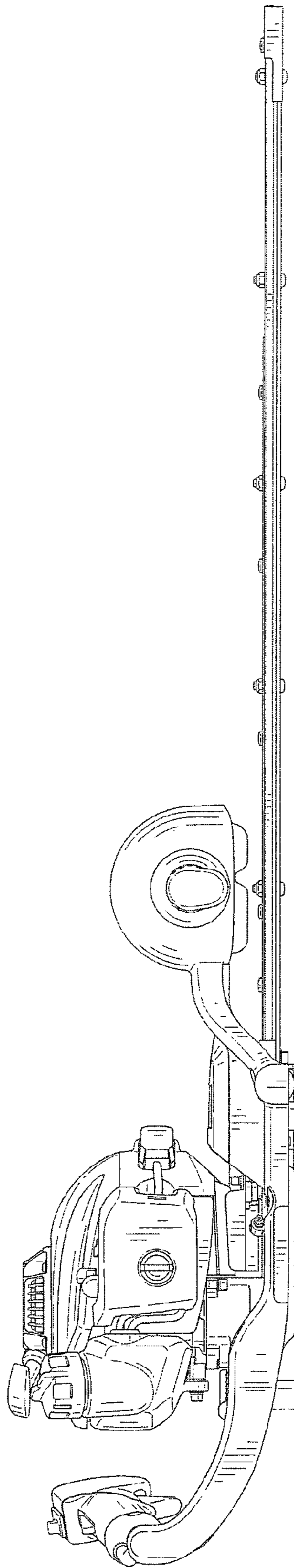


FIG. 3

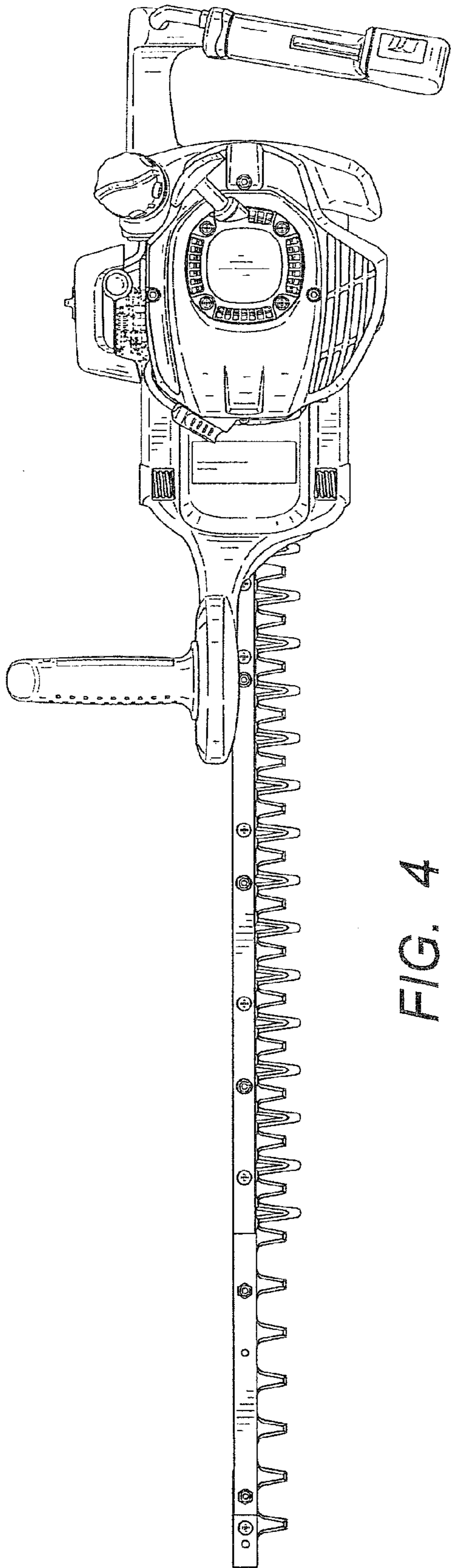


FIG. 4

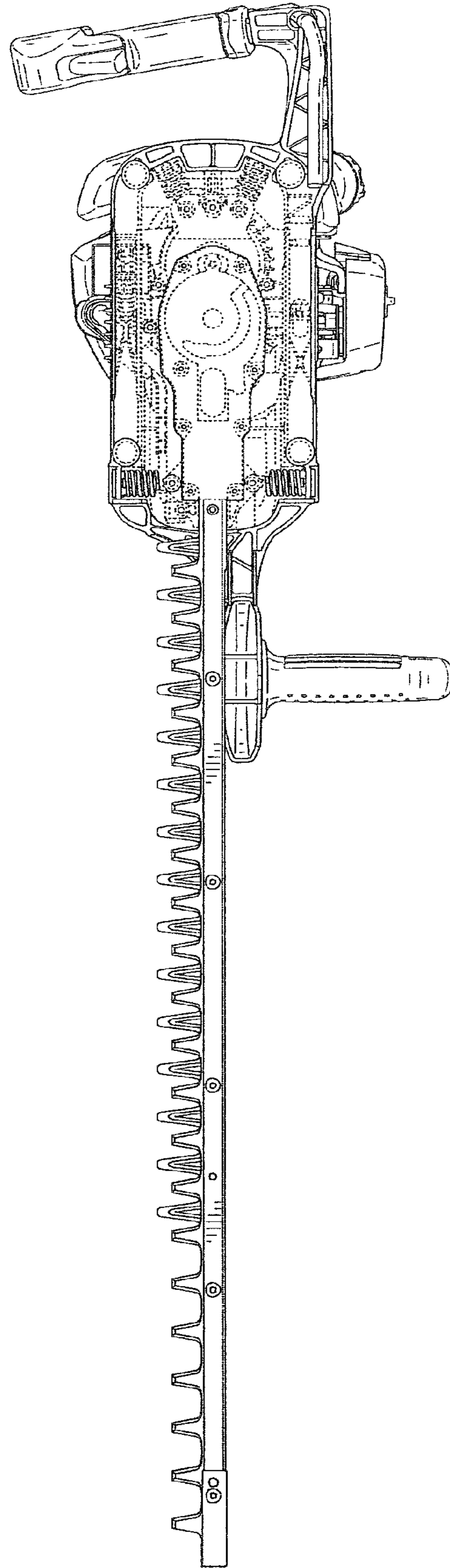


FIG. 5

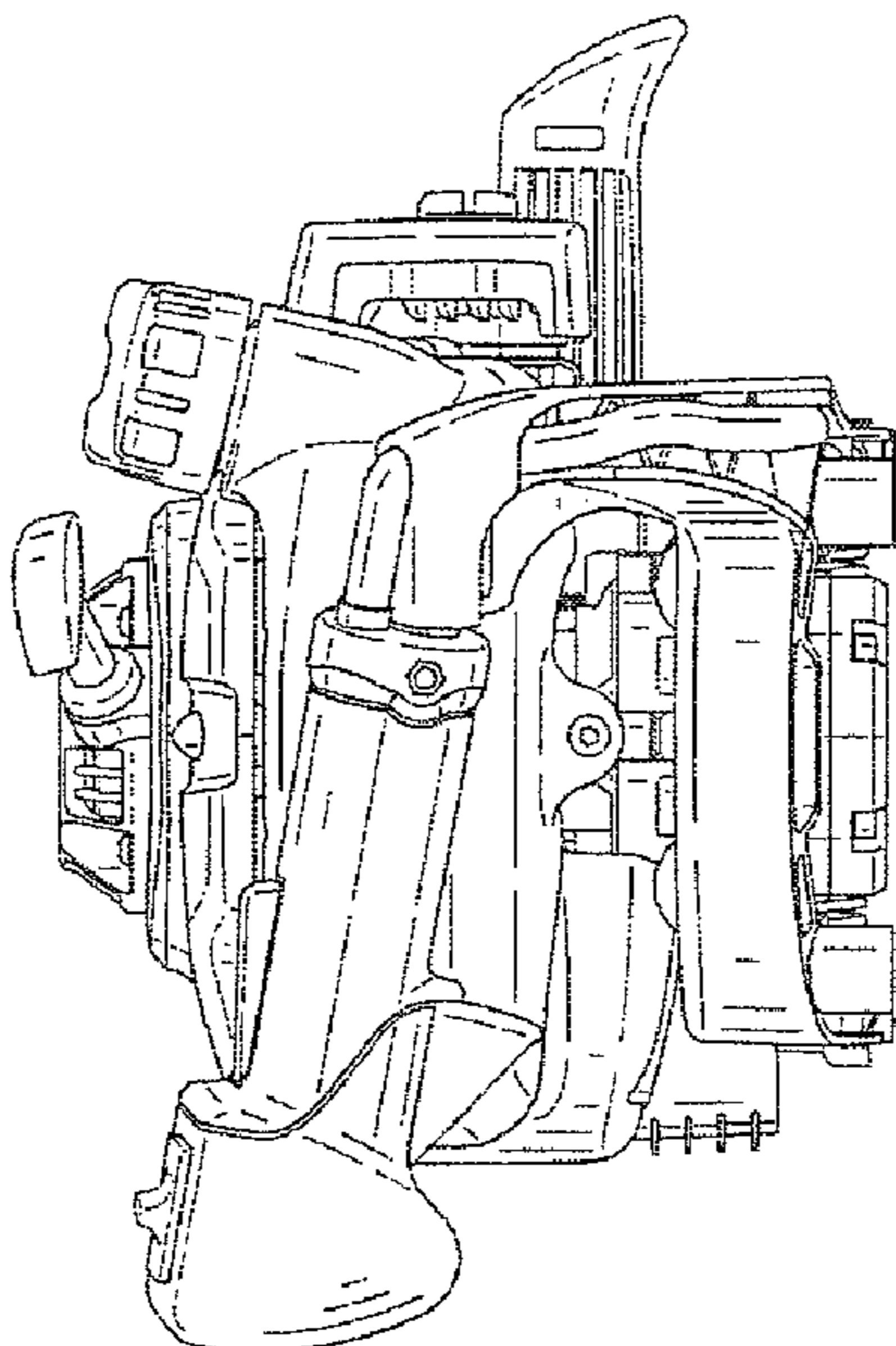


FIG. 7

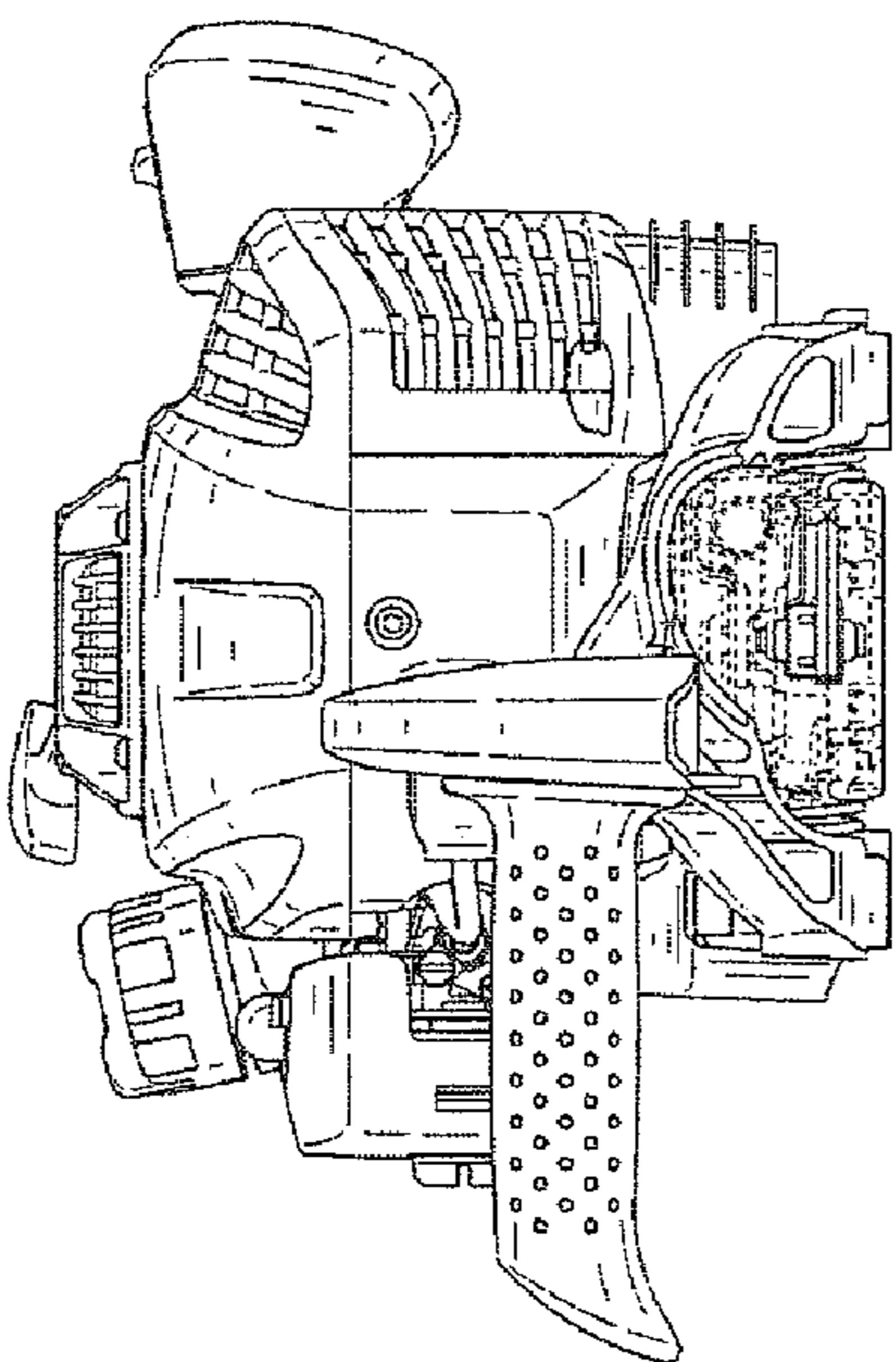


FIG. 6