



US00D655989S

(12) **United States Design Patent**  
**Nelms**

(10) **Patent No.:** **US D655,989 S**  
(45) **Date of Patent:** **\*\* Mar. 20, 2012**

- (54) **PORTABLE BUTCHER BLOCK**
- (75) Inventor: **Johnny P. Nelms**, Jefferson City, TN (US)
- (73) Assignee: **Johnny P. Nelms**, Jefferson City, TN (US)
- (\*\*) Term: **14 Years**
- (21) Appl. No.: **29/401,258**
- (22) Filed: **Sep. 9, 2011**
- (51) **LOC (9) Cl.** ..... **07-04**
- (52) **U.S. Cl.** ..... **D7/698; D7/409**
- (58) **Field of Classification Search** ..... D7/354, D7/359-362, 368, 392.1, 396.1, 407-409, D7/412, 505, 549, 550.1, 552.1-552.2, 553.1, D7/553.5, 553.8, 554.3-554.4, 555, 586, D7/637, 673, 698-699; D14/432; D19/92; D30/118; 83/762; 99/324, 357, 449-450; 126/39 G; 269/13, 15-16, 289 R, 302.1, 269/575

See application file for complete search history.

(56) **References Cited**

**U.S. PATENT DOCUMENTS**

- 1,554,638 A \* 9/1925 McLeod ..... 83/762
- D171,324 S \* 1/1954 De Puy ..... D7/549

- 4,133,238 A \* 1/1979 Jacobs ..... 83/762
- D260,907 S \* 9/1981 Giulie et al. .... D19/92
- D391,687 S \* 3/1998 McMahon ..... D30/118
- D420,851 S \* 2/2000 Wagner et al. .... D7/407
- D598,024 S \* 8/2009 Scott et al. .... D14/432
- D613,117 S \* 4/2010 Richburg ..... D7/409
- D614,915 S \* 5/2010 Schnitman et al. .... D7/409
- D632,925 S \* 2/2011 Sasken-Duff ..... D7/409
- D640,500 S \* 6/2011 Button ..... D7/362
- D641,210 S \* 7/2011 Hamilton ..... D7/554.3
- 2009/0235918 A1 \* 9/2009 Espina et al. .... 126/39 G

\* cited by examiner

*Primary Examiner* — Ricky Pham

(74) *Attorney, Agent, or Firm* — Luedeka Neely Group, P.C.

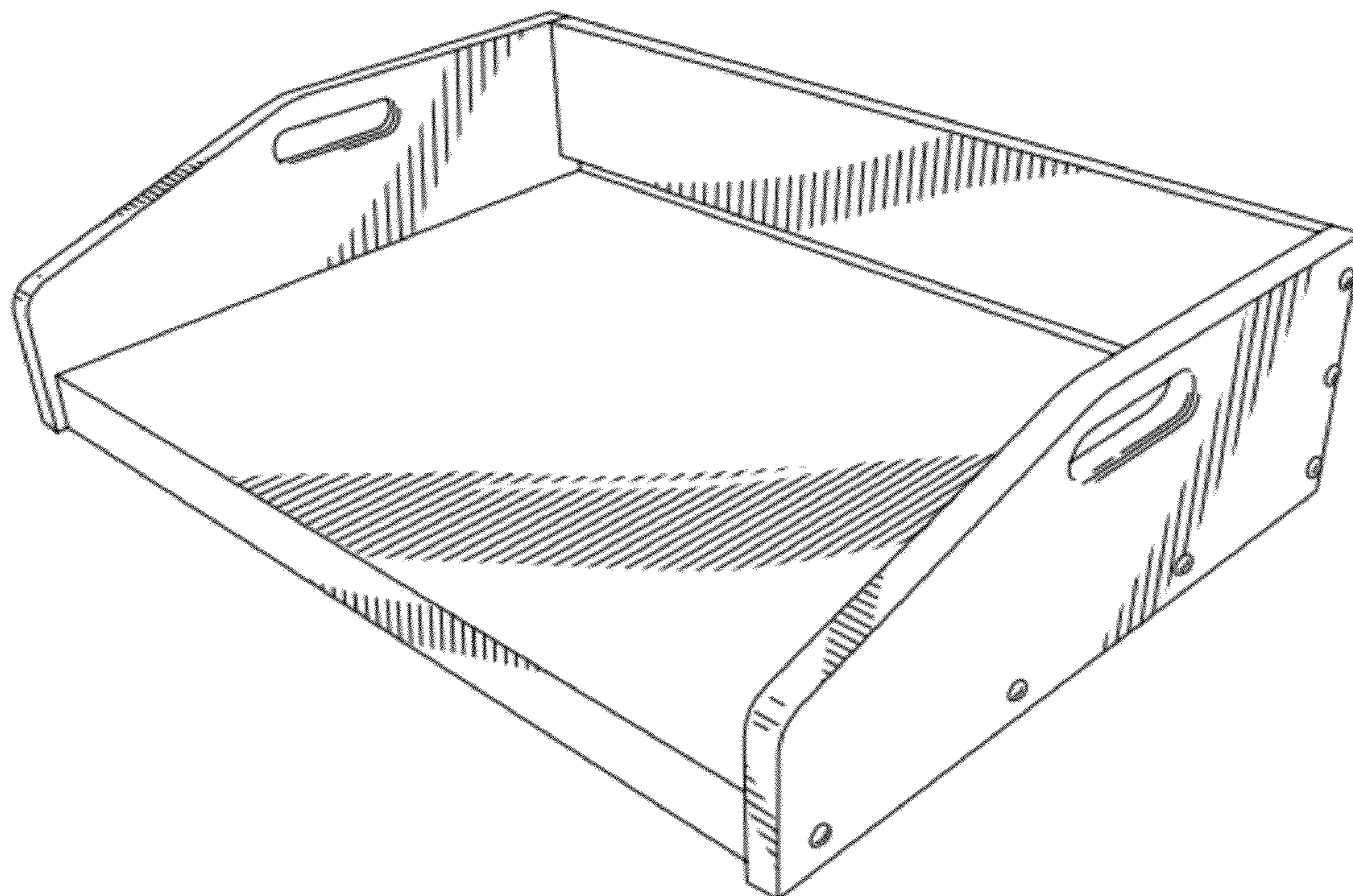
(57) **CLAIM**

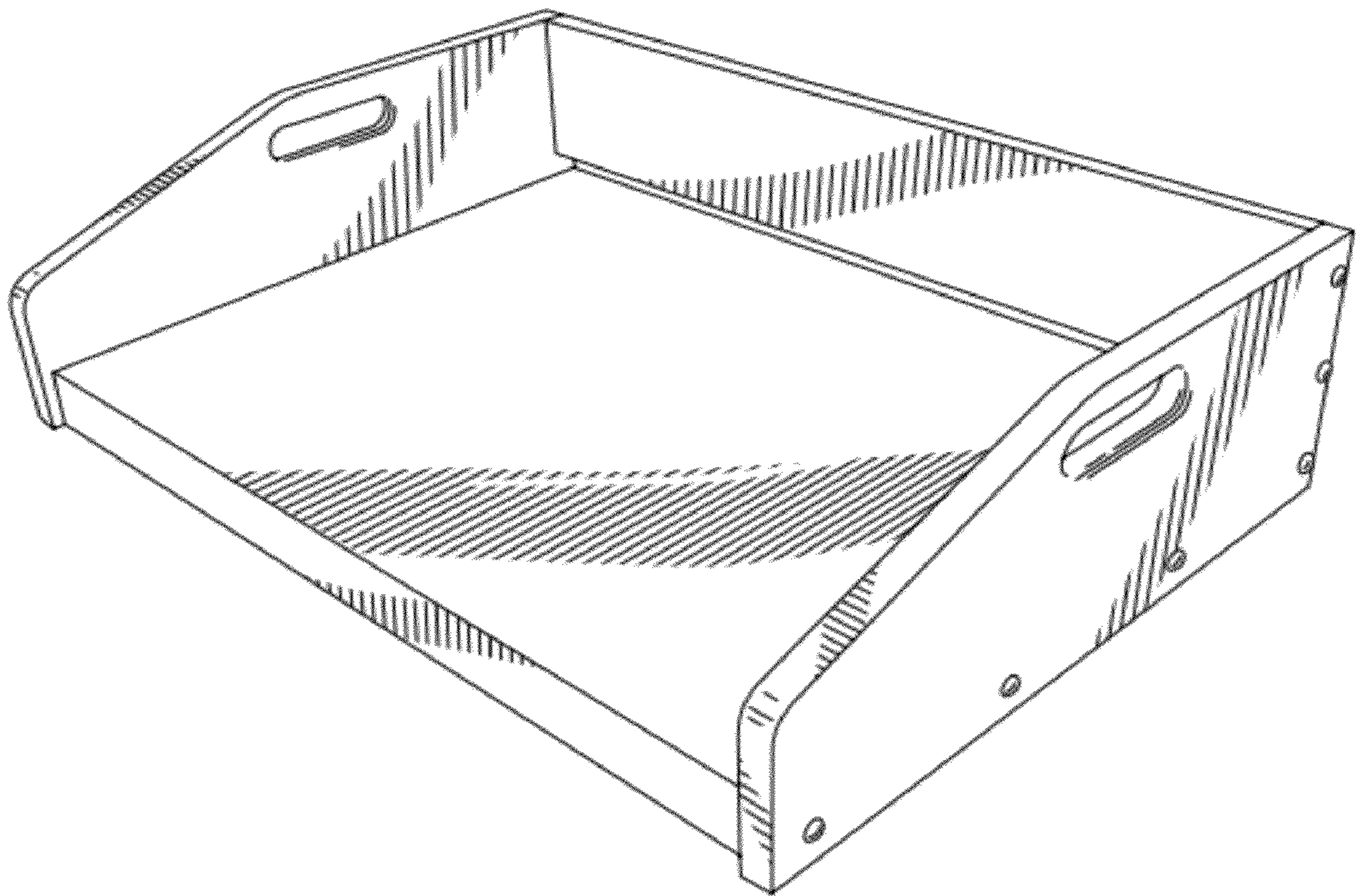
The ornamental design of a portable butcher block, as shown and described.

**DESCRIPTION**

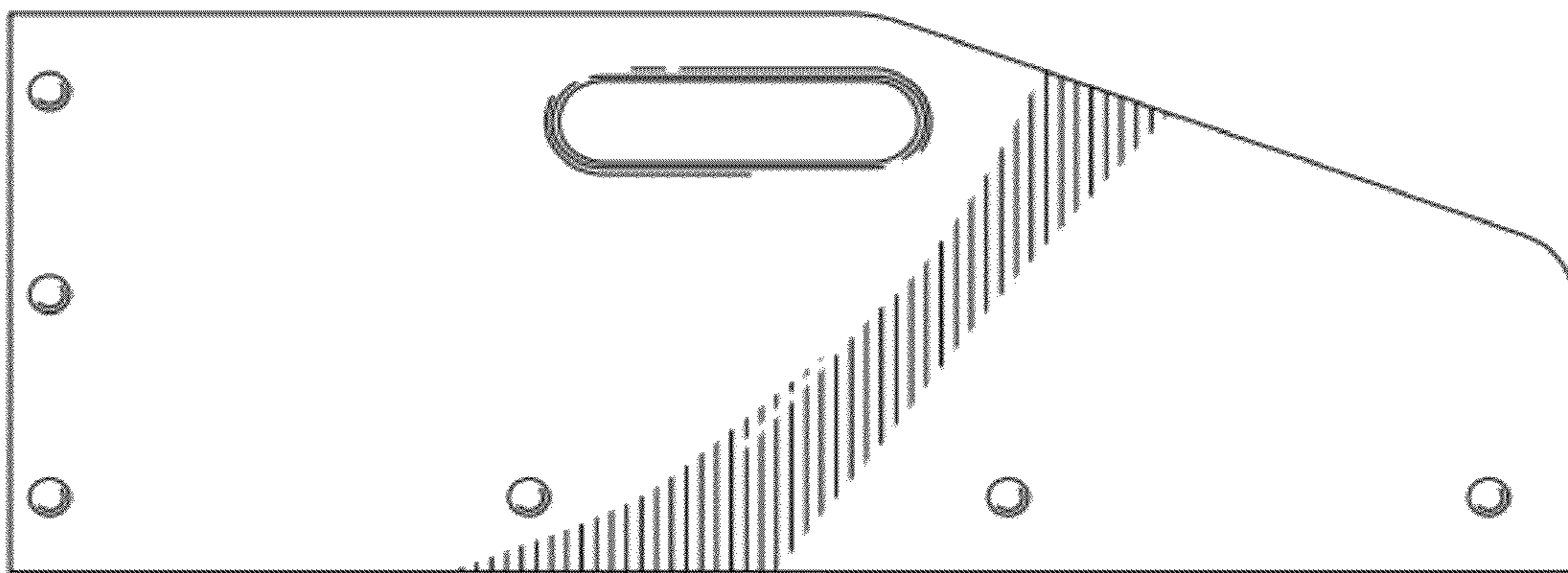
FIG. 1 is a perspective view of the portable butcher block; FIG. 2 is a side view of the portable butcher block, the opposite side being a mirror image; FIG. 3 is a front view of the portable butcher block; FIG. 4 is a rear view of the portable butcher block; FIG. 5 is a top view of the portable butcher block; and, FIG. 6 is a bottom view of the portable butcher block.

**1 Claim, 6 Drawing Sheets**





**FIG. 1**



**FIG. 2**

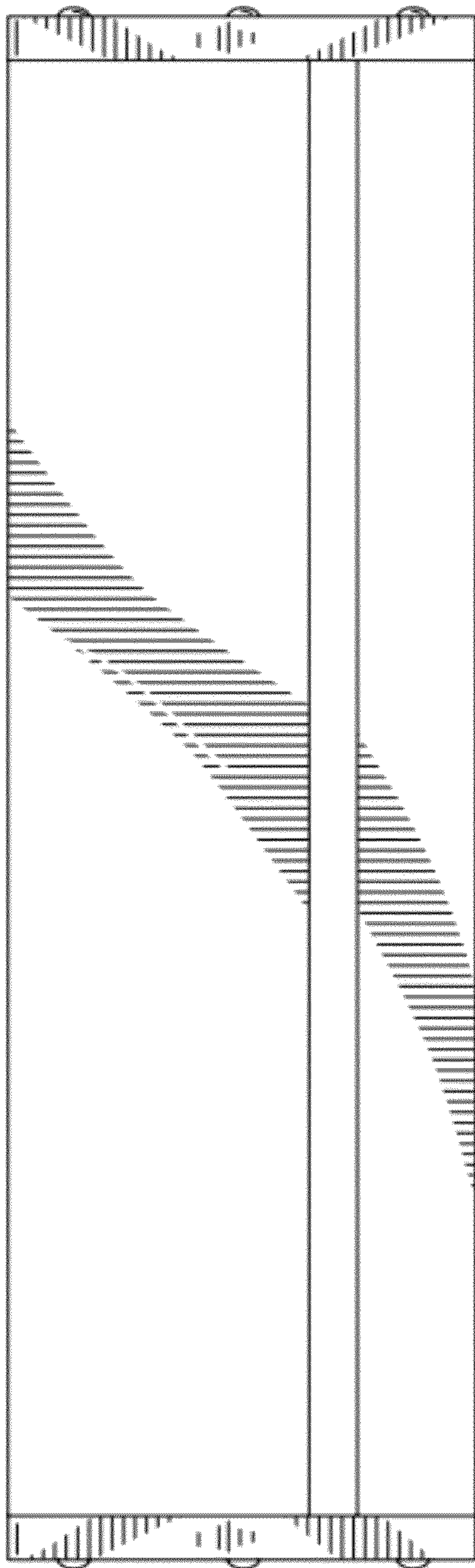


FIG. 3

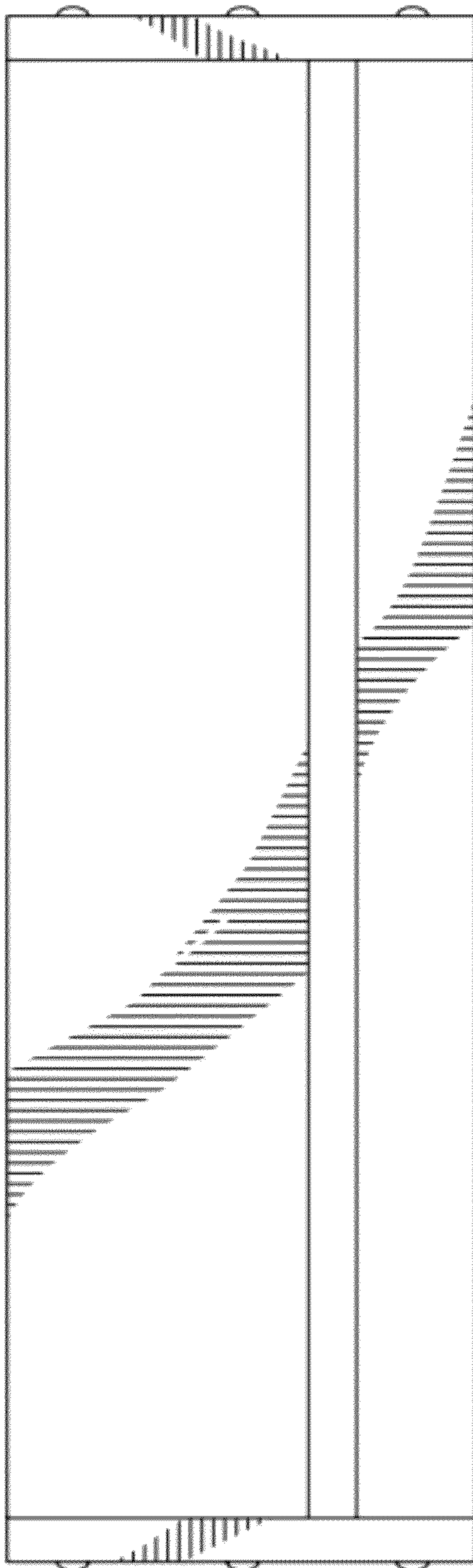


FIG. 4

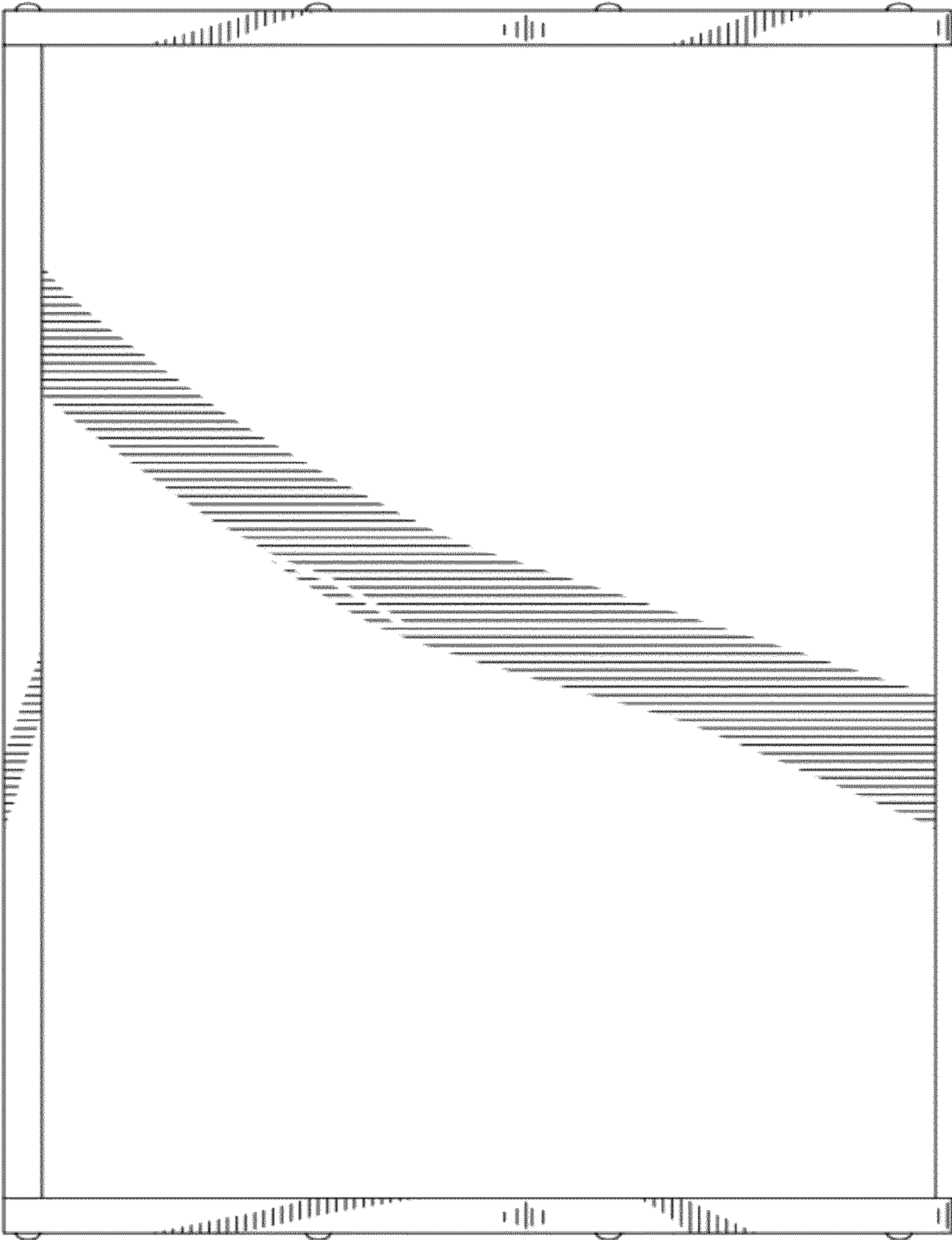


FIG. 5

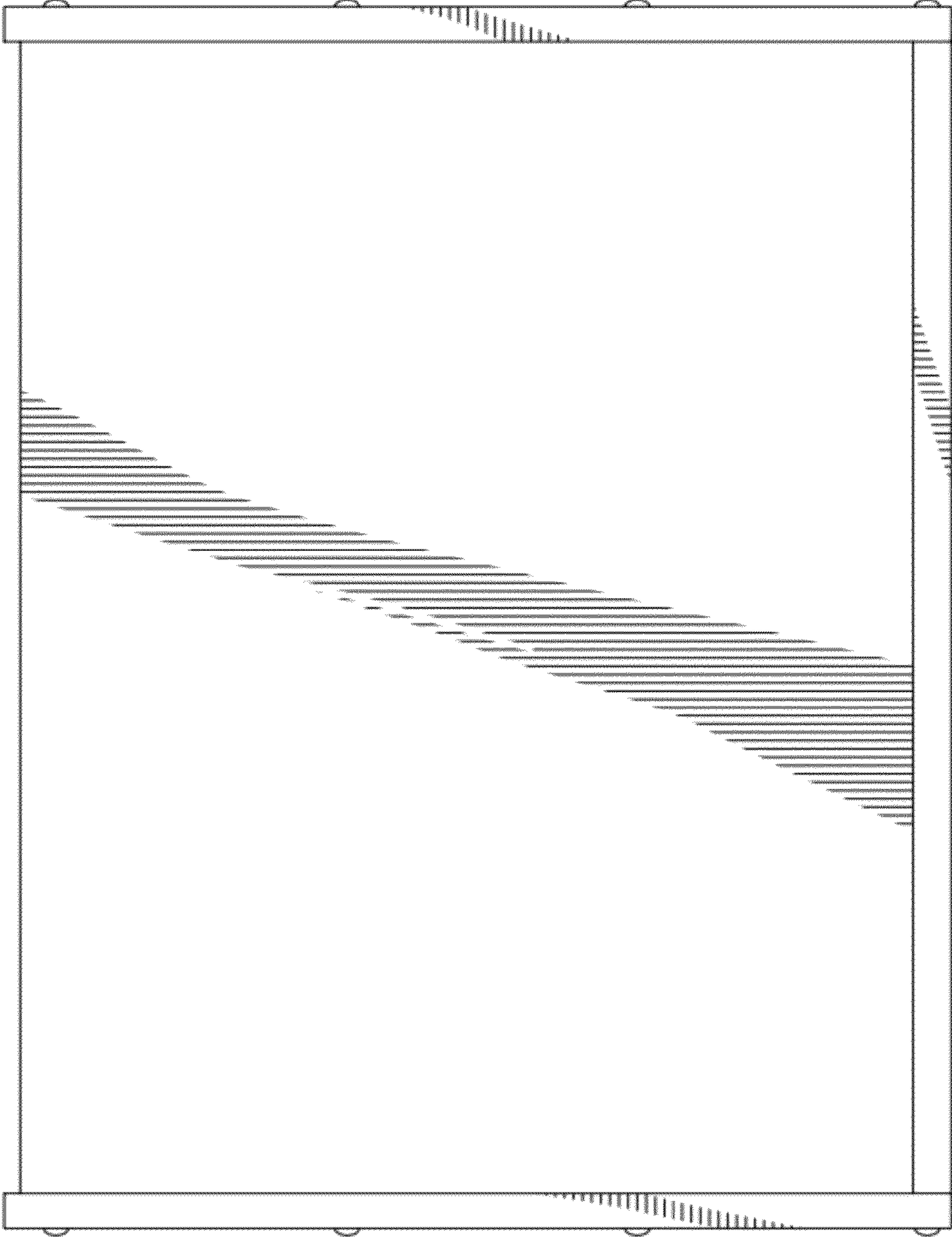


FIG. 6