



US00D655988S

(12) **United States Design Patent**
Miros

(10) **Patent No.:** **US D655,988 S**

(45) **Date of Patent:** **** Mar. 20, 2012**

(54) **FOOD CONTAINER**

(75) Inventor: **Robert H. J. Miros**, Fairfax, CA (US)

(73) Assignee: **3rd Stone Design Inc.**, San Rafael, CA (US)

(**) Term: **14 Years**

(21) Appl. No.: **29/401,137**

(22) Filed: **Sep. 7, 2011**

(51) **LOC (9) Cl.** **07-07**

(52) **U.S. Cl.** **D7/629**

(58) **Field of Classification Search** D7/601, D7/602, 629, 630, 538-542, 612-615, 584, D7/586, 587; D9/424-432; D3/273, 201-206, D3/276, 283, 284, 295; 229/107, 406, 120, 229/125.17; 220/669-673, 675, 574-575, 220/573.1, 660, 326, 236, 780-806, 4.21, 220/4.24, 288, 260; 206/216, 217, 541-550, 206/223; 190/109, 110

See application file for complete search history.

(56) **References Cited**

U.S. PATENT DOCUMENTS

1,458,679 A * 6/1923 Bishop 126/261
5,595,302 A * 1/1997 Maydwell et al. 206/541

5,671,846 A * 9/1997 Frank 206/541
6,112,899 A * 9/2000 Zeringue 206/541
D472,774 S * 4/2003 Pelstring et al. D7/629
D616,258 S * 5/2010 Miros et al. D7/629

* cited by examiner

Primary Examiner — Terry Wallace

(74) *Attorney, Agent, or Firm* — Levine Bagade Han LLP

(57) **CLAIM**

The ornamental design for a food container, as shown and described.

DESCRIPTION

FIG. 1 is a top perspective view of a food container in a closed configuration;

FIG. 2 is a bottom perspective view thereof;

FIG. 3 is a front elevation view thereof;

FIG. 4 is a top view thereof;

FIG. 5 is a bottom view thereof;

FIG. 6 is a rear elevation view thereof;

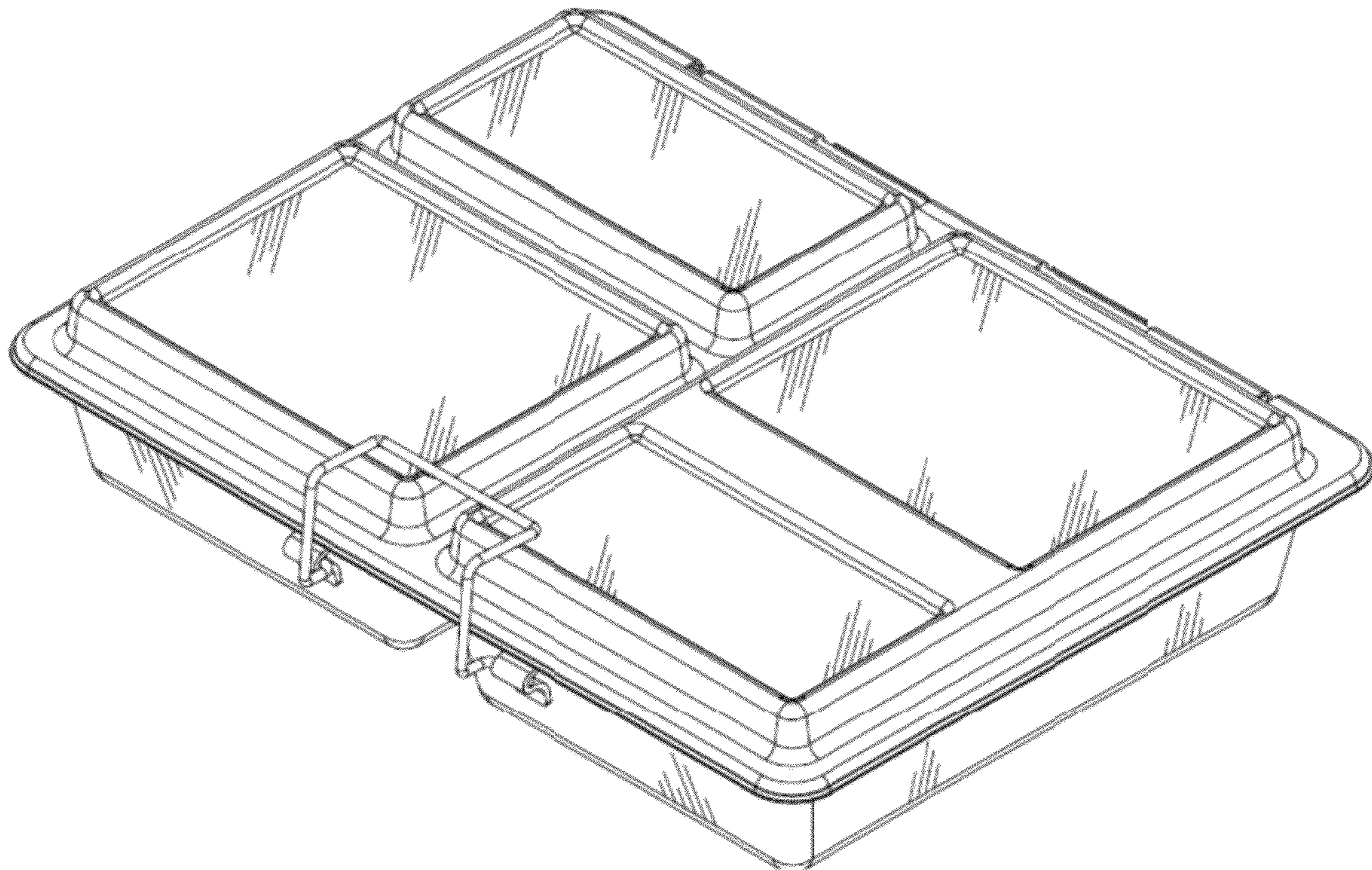
FIG. 7 is a right side elevation view thereof;

FIG. 8 is a left side elevation view thereof; and,

FIG. 9 is a top perspective view thereof with the lid in an open position.

All features illustrated in phantom line are expressly disclaimed and form no part of the claimed design.

1 Claim, 6 Drawing Sheets



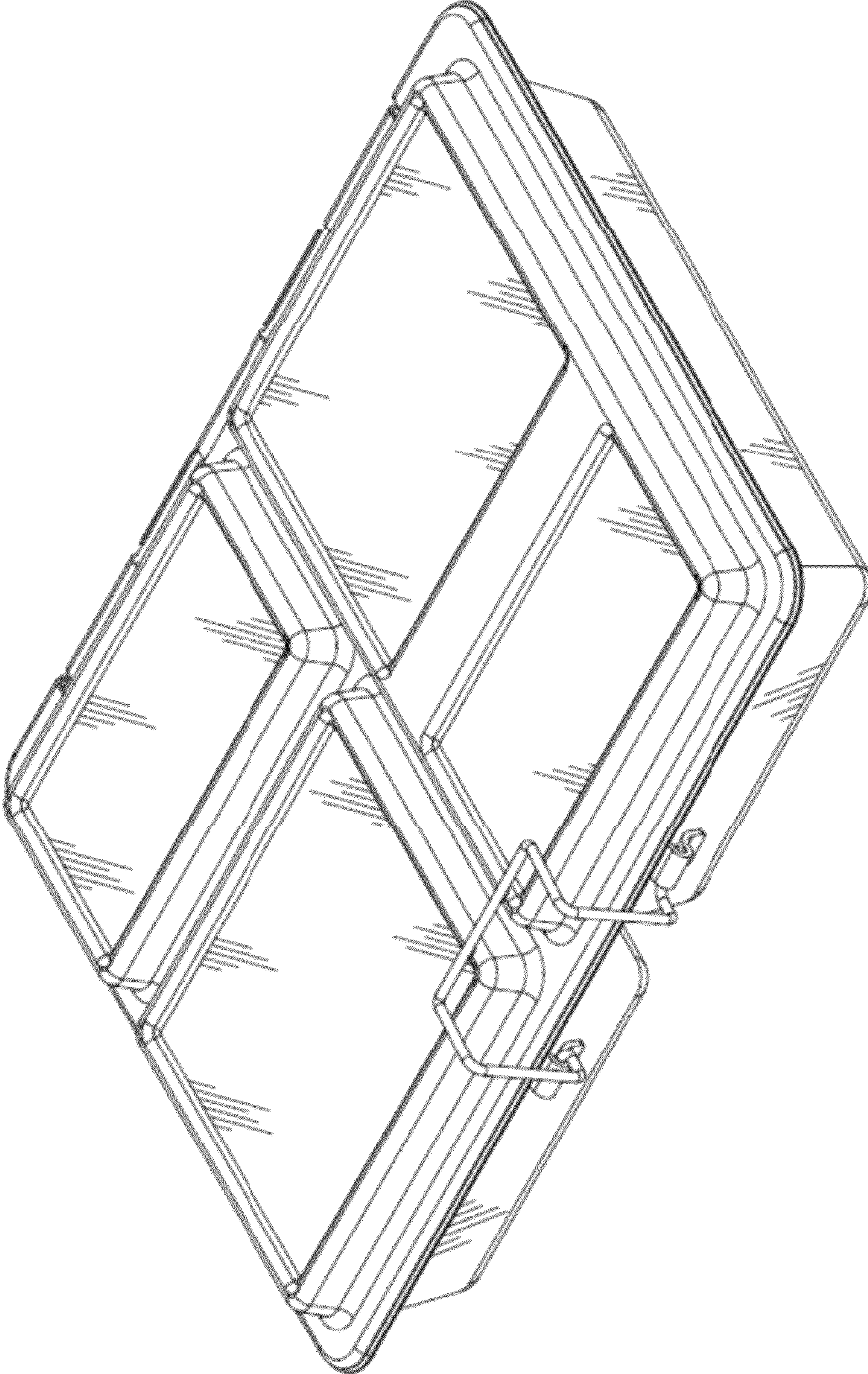


Fig. 1

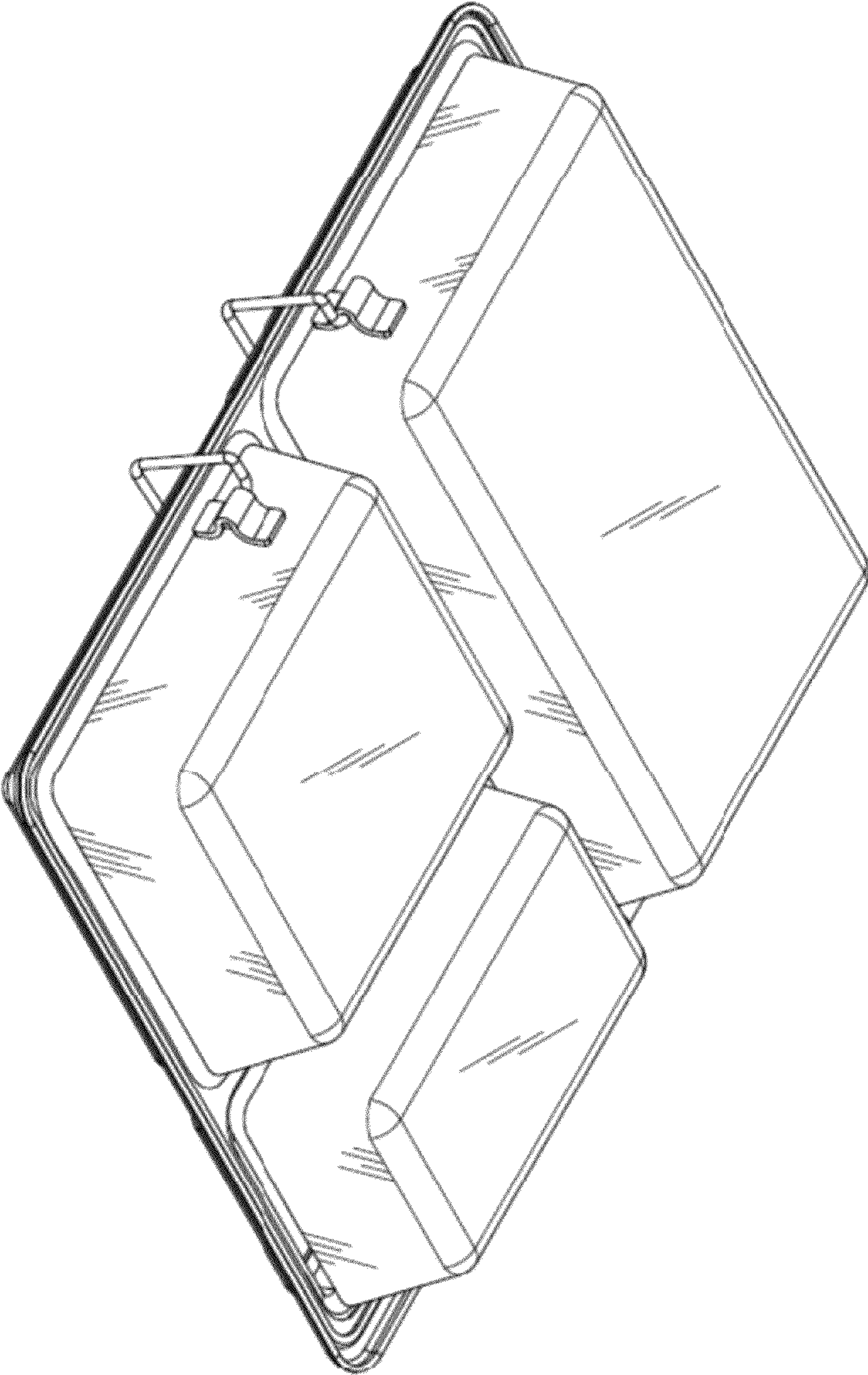


Fig. 2

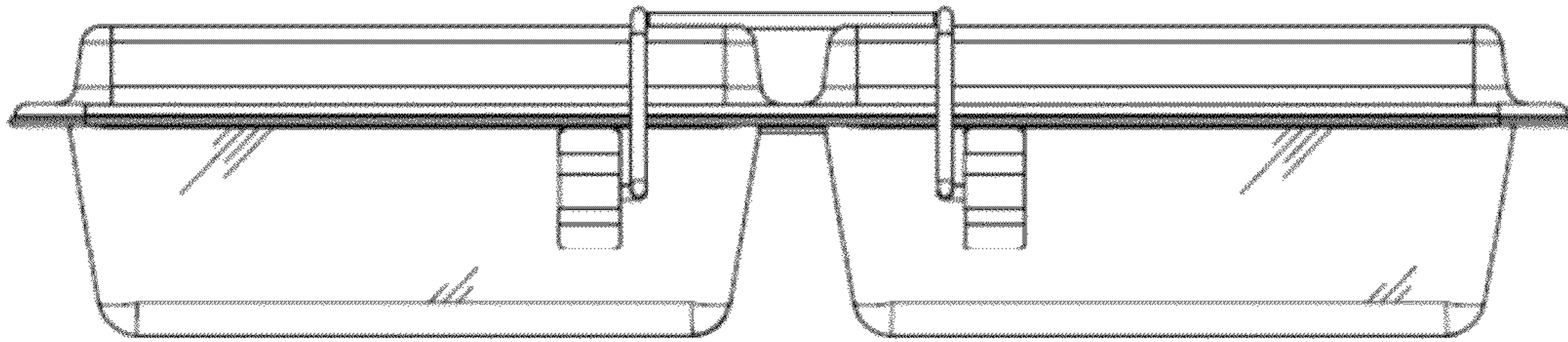


Fig. 3

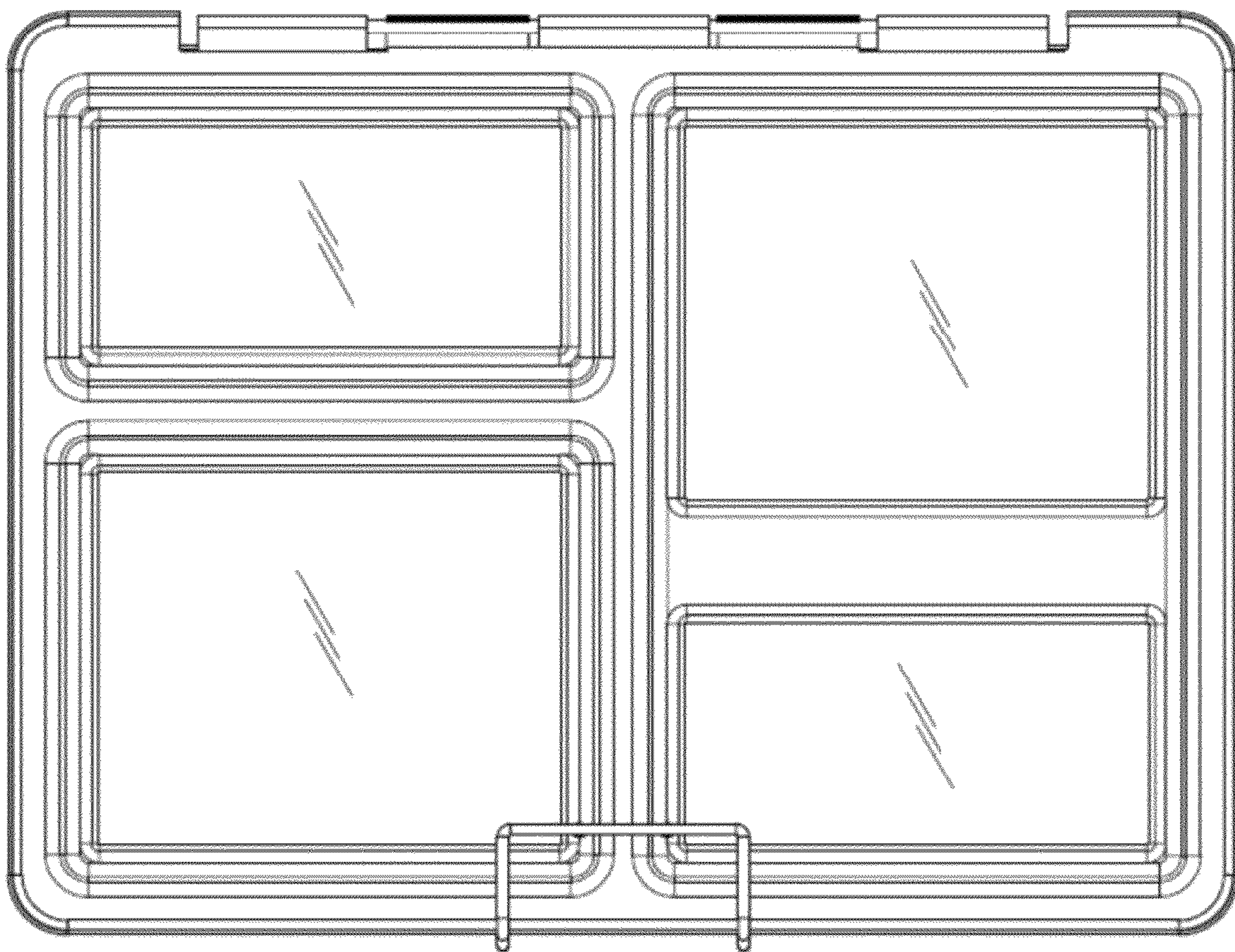


Fig. 4

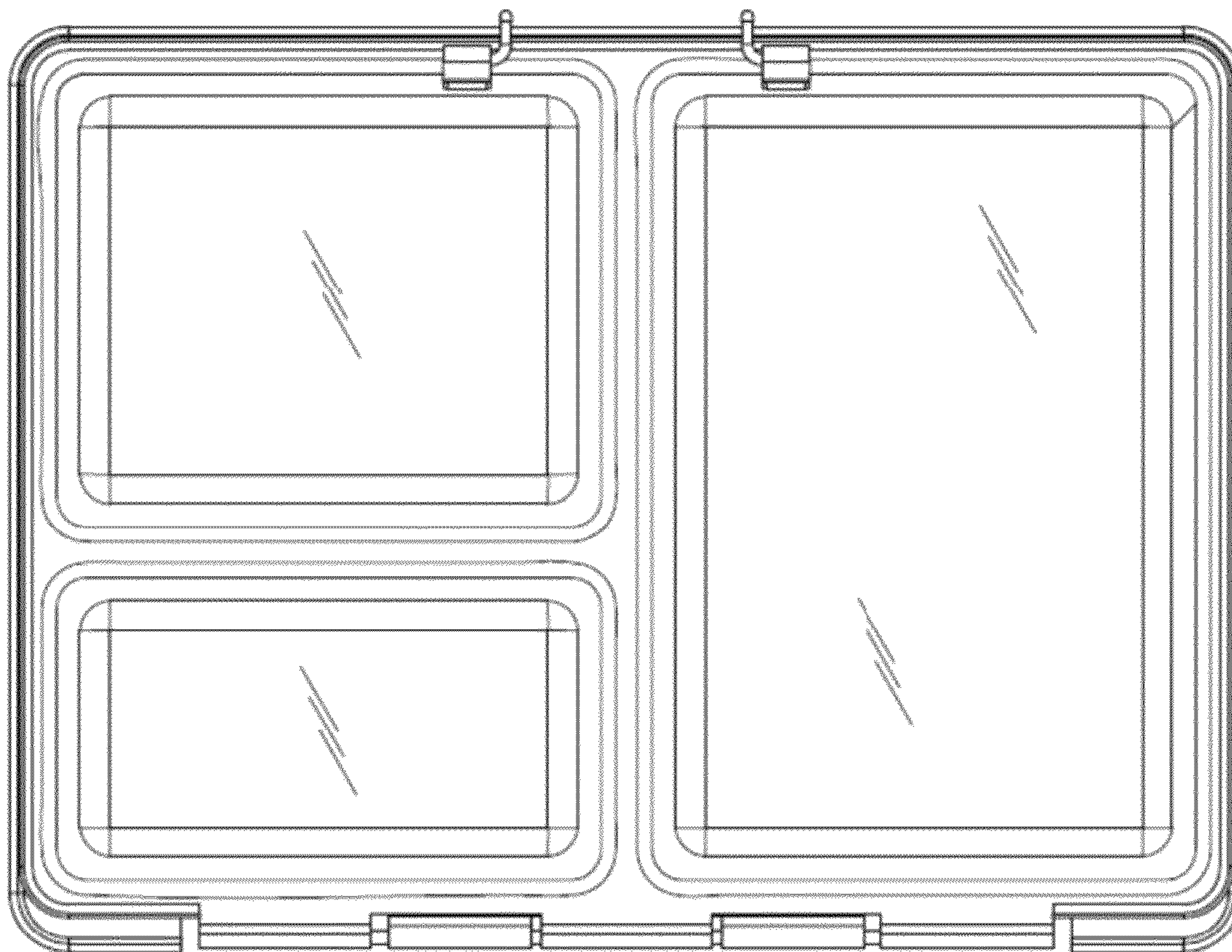


Fig. 5

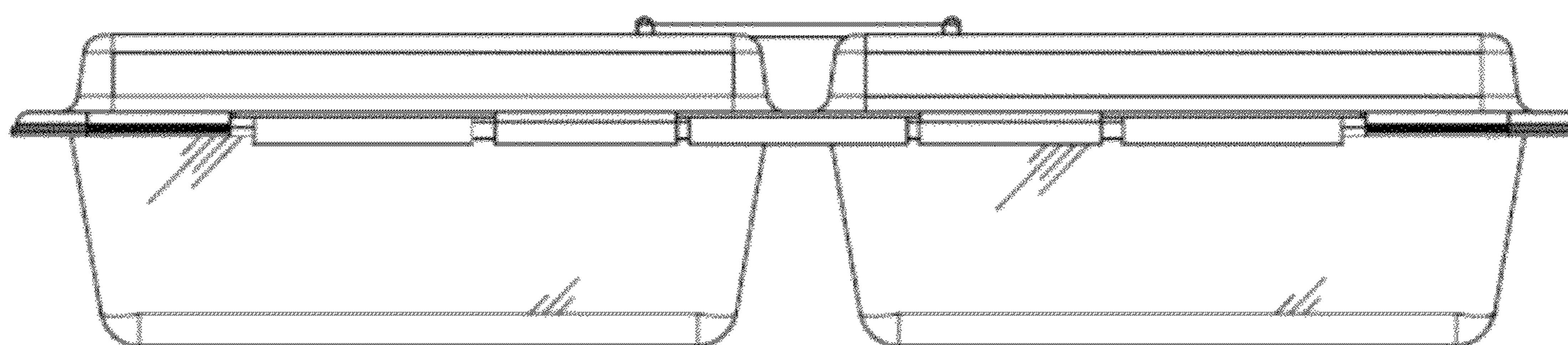


Fig. 6

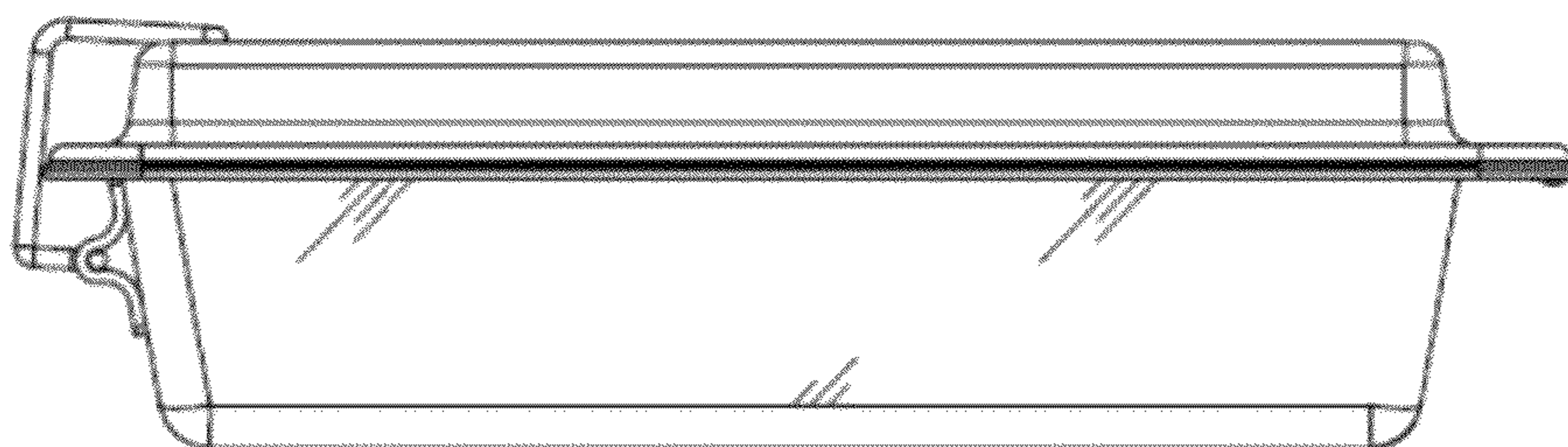


Fig. 7

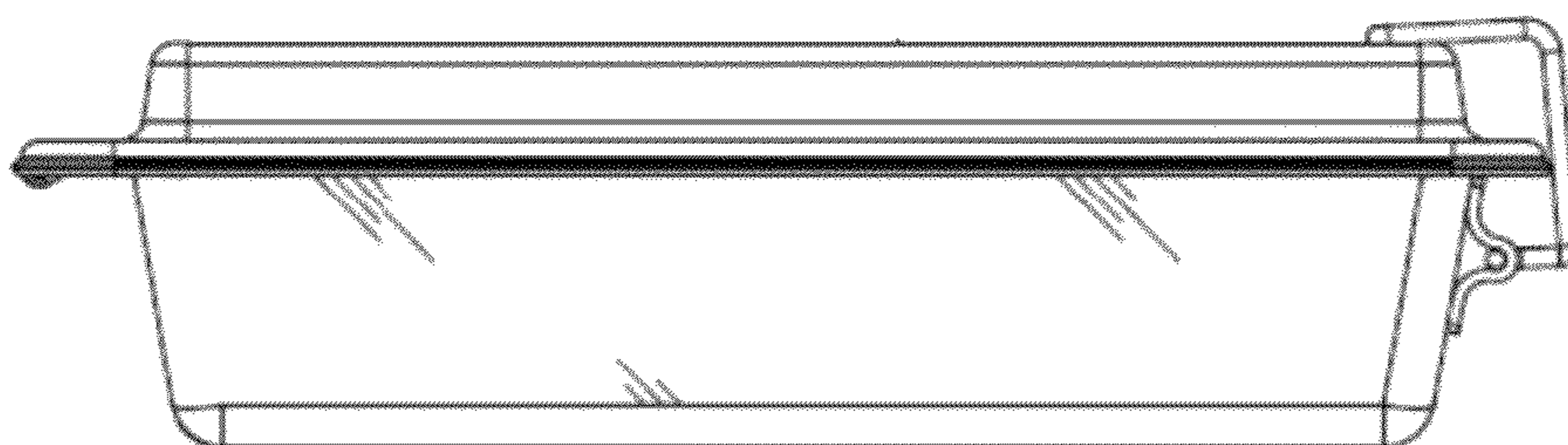


Fig. 8

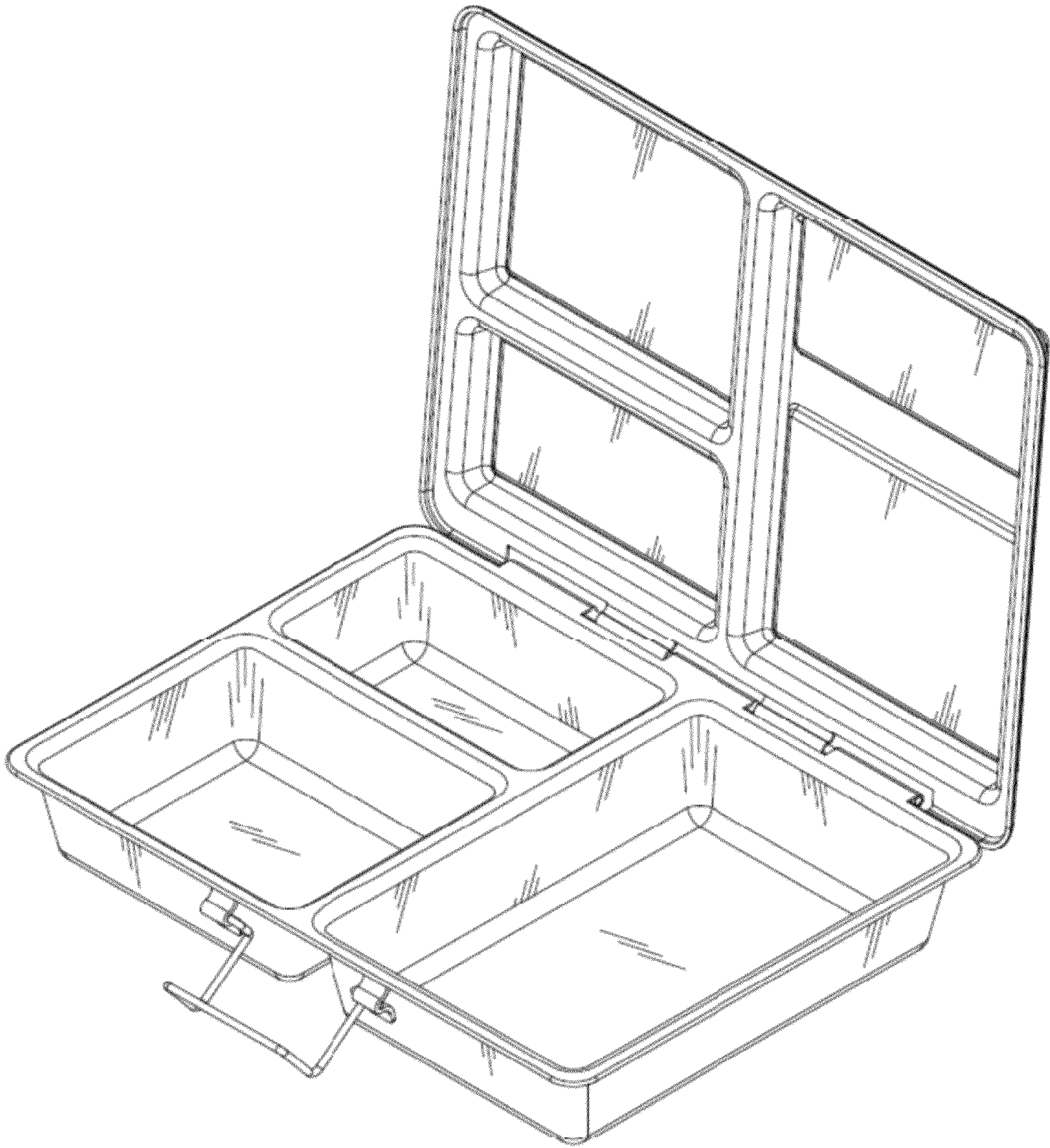


Fig. 9