



US00D655982S

(12) **United States Design Patent**
Liu

(10) **Patent No.:** **US D655,982 S**
(45) **Date of Patent:** **** Mar. 20, 2012**

(54) **TUMBLER**

(75) Inventor: **Ralph Jin-fung Liu**, City of Industry,
CA (US)

(73) Assignee: **Thunder Group Inc.**, City of Industry,
CA (US)

(**) Term: **14 Years**

(21) Appl. No.: **29/392,338**

(22) Filed: **May 19, 2011**

(51) **LOC (9) Cl.** **07-01**

(52) **U.S. Cl.** **D7/509; D3/523**

(58) **Field of Classification Search** D7/510,
D7/511, 500, 532, 507; 215/121, 382, 388,
215/387; 220/674, 715, 713, 718, 592.16,
220/592.17, 709, 708; D9/551, 529, 500,
D9/539

See application file for complete search history.

(56) **References Cited**

U.S. PATENT DOCUMENTS

D38,686 S *	7/1907	Lee	D34/1
D64,183 S *	3/1924	Heisey	D7/531
D144,300 S *	4/1946	Nicholson	D7/530
D189,678 S *	1/1961	Bloch	D7/530
D199,319 S *	10/1964	Watts	D7/531
3,269,144 A *	8/1966	Poris	62/457.3
D231,762 S *	6/1974	Stott	D7/527
D247,841 S *	5/1978	Seres	D7/530
D254,951 S *	5/1980	Gedye	D34/1

D295,131 S *	4/1988	Durand	D7/530
D296,743 S *	7/1988	Durand	D7/530
5,415,339 A *	5/1995	Howard	229/403
D489,573 S *	5/2004	Li	D7/530
D561,535 S *	2/2008	Jin	D7/531
D603,221 S *	11/2009	Liu	D7/523
D623,899 S *	9/2010	Baratte	D7/531
2007/0125238 A1 *	6/2007	Urquhart et al.	99/275

* cited by examiner

Primary Examiner — Cynthia Underwood

(74) *Attorney, Agent, or Firm* — Morris Manning & Martin
LLP; Tim Tingkang Xia, Esq.

(57) **CLAIM**

The ornamental design for a “tumbler,” as shown and
described.

DESCRIPTION

FIG. 1 is a perspective view of tumbler showing my new
design;

FIG. 2 is another perspective view of tumbler showing my
new design;

FIG. 3 is a front view thereof;

FIG. 4 is a rear view thereof;

FIG. 5 is a left side elevational view thereof;

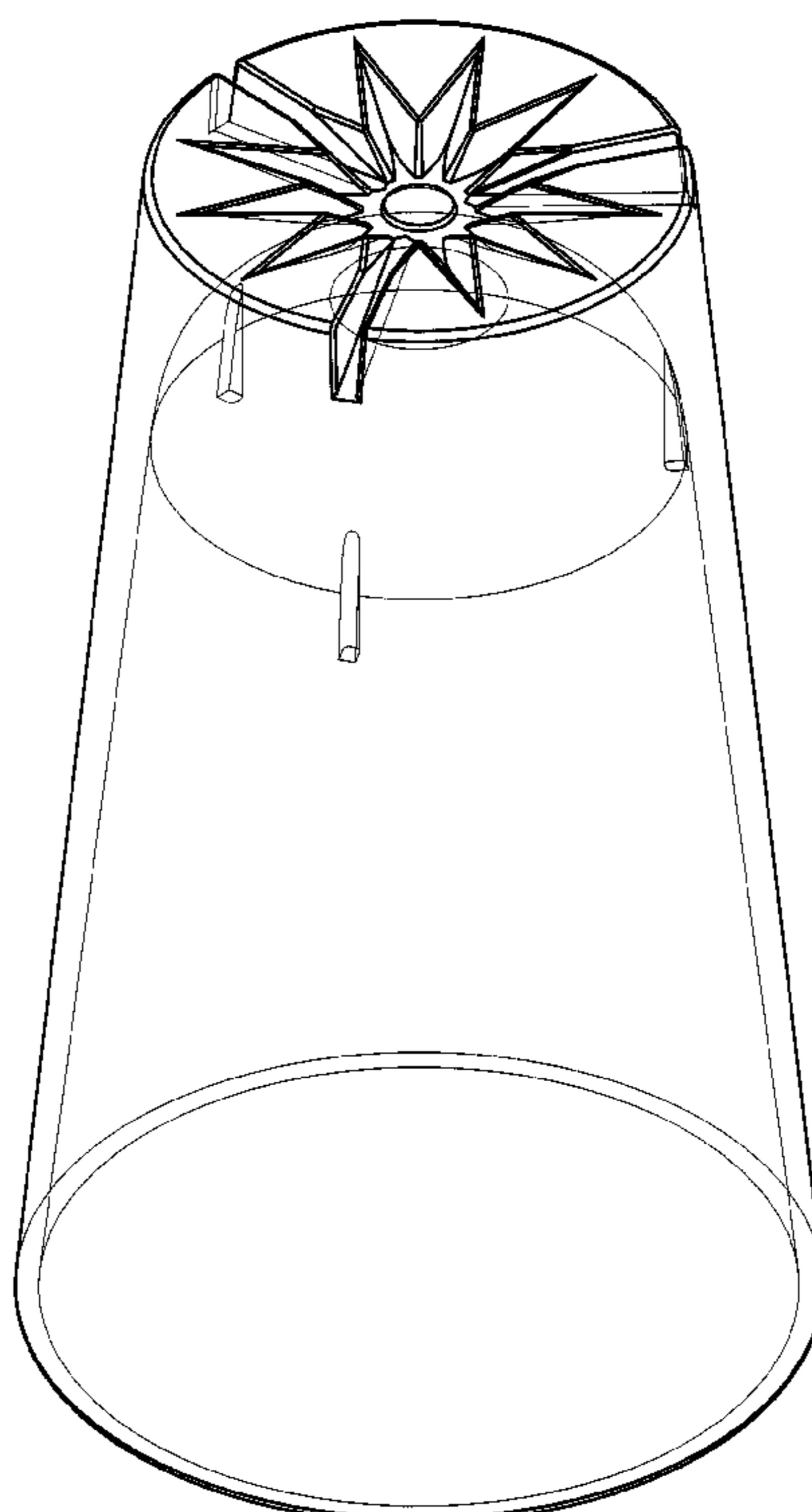
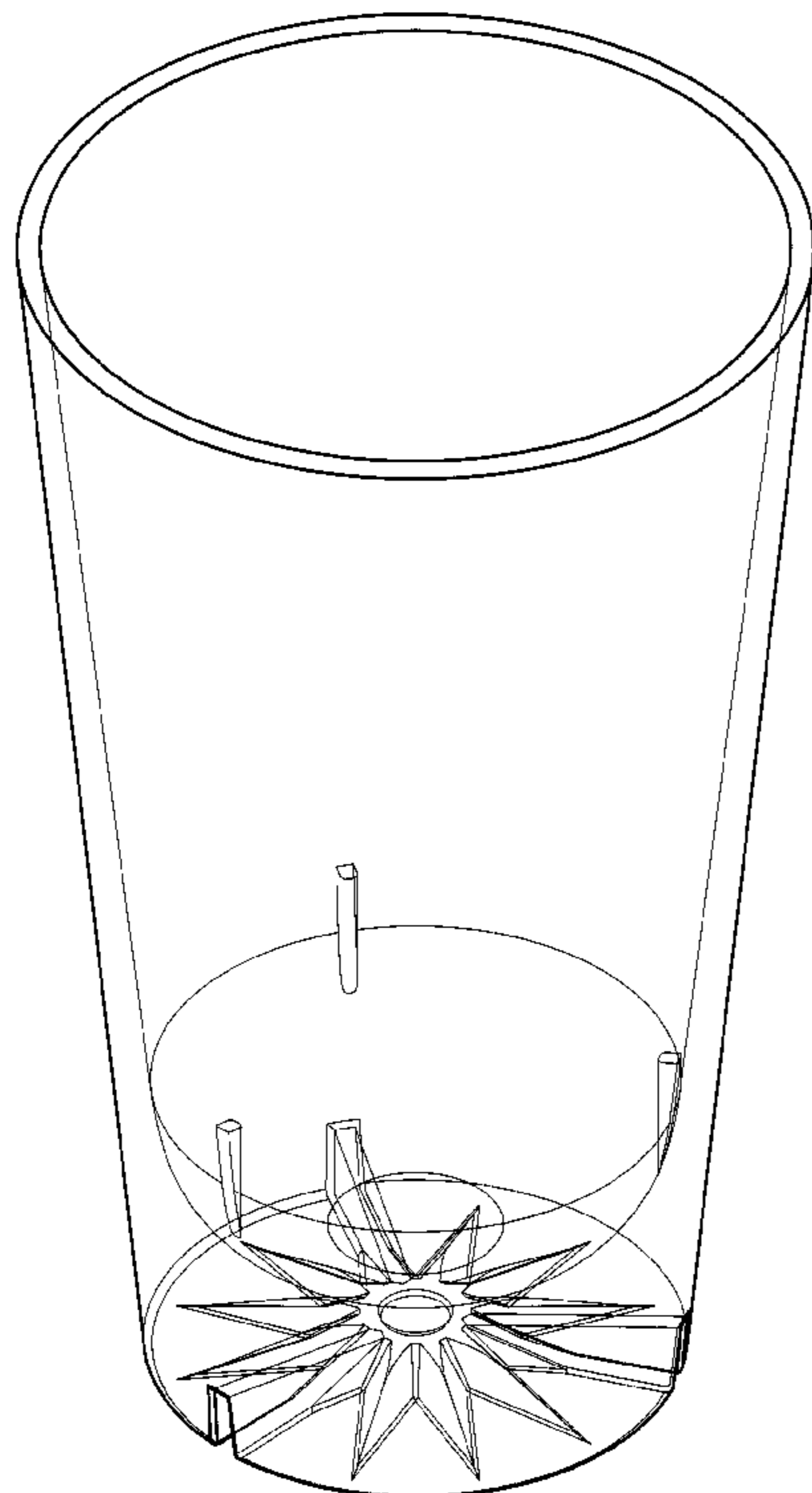
FIG. 6 is a right side elevational view thereof;

FIG. 7 is a top view thereof;

FIG. 8 is a bottom view thereof; and,

FIG. 9 is a cross-sectional view taken along line 9-9 of FIG. 7.

1 Claim, 9 Drawing Sheets



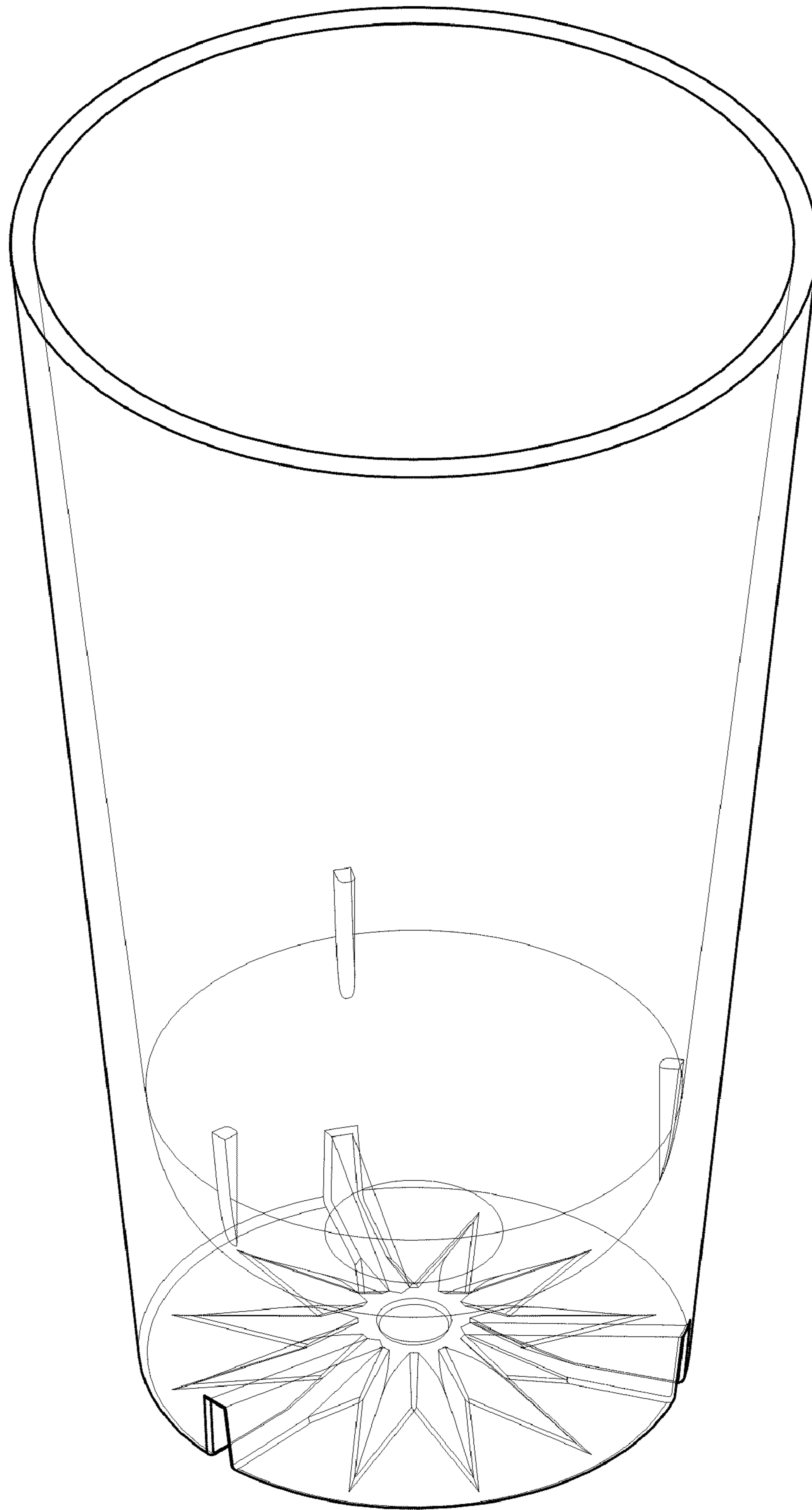


FIG. 1

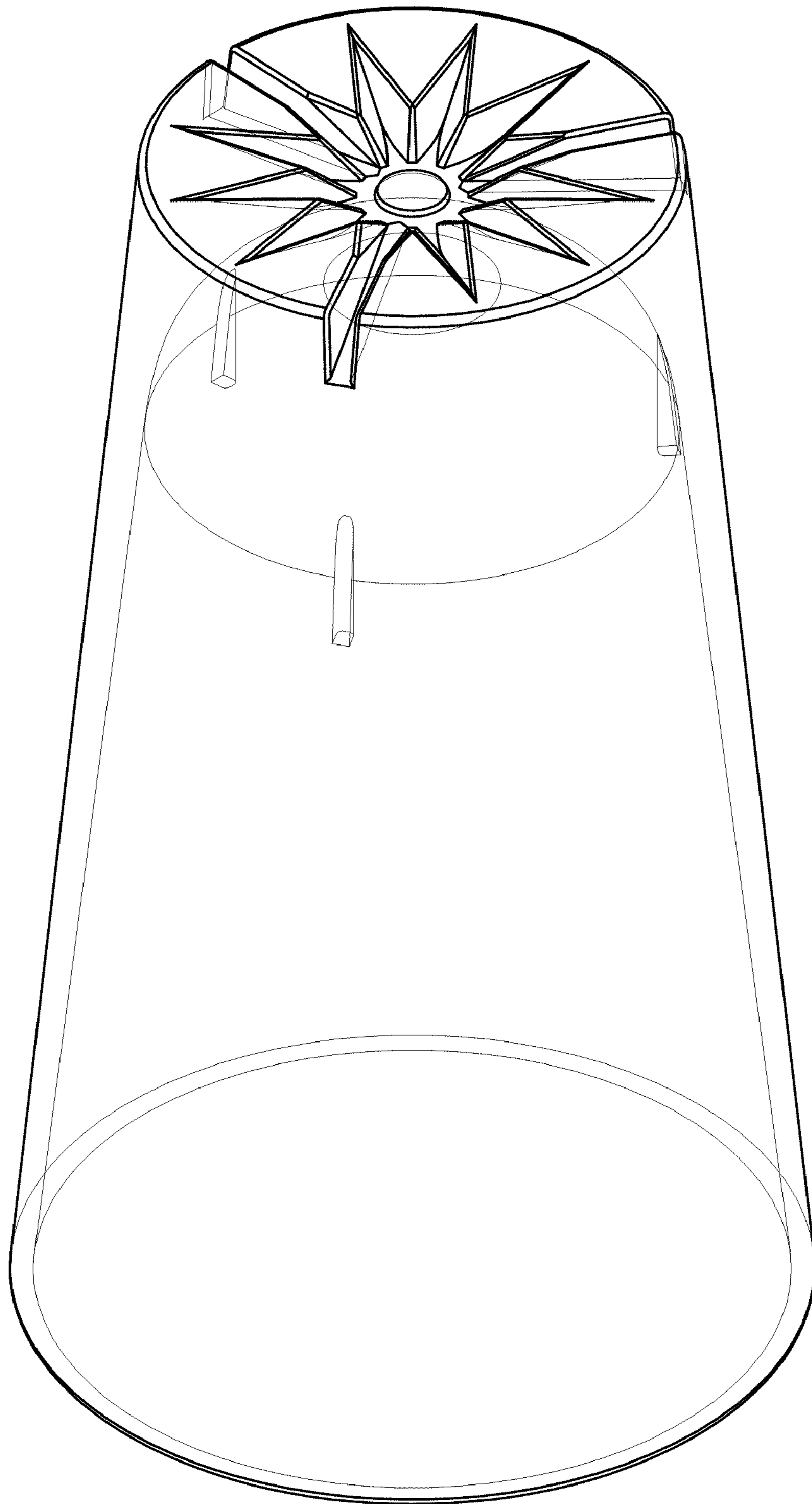


FIG.2

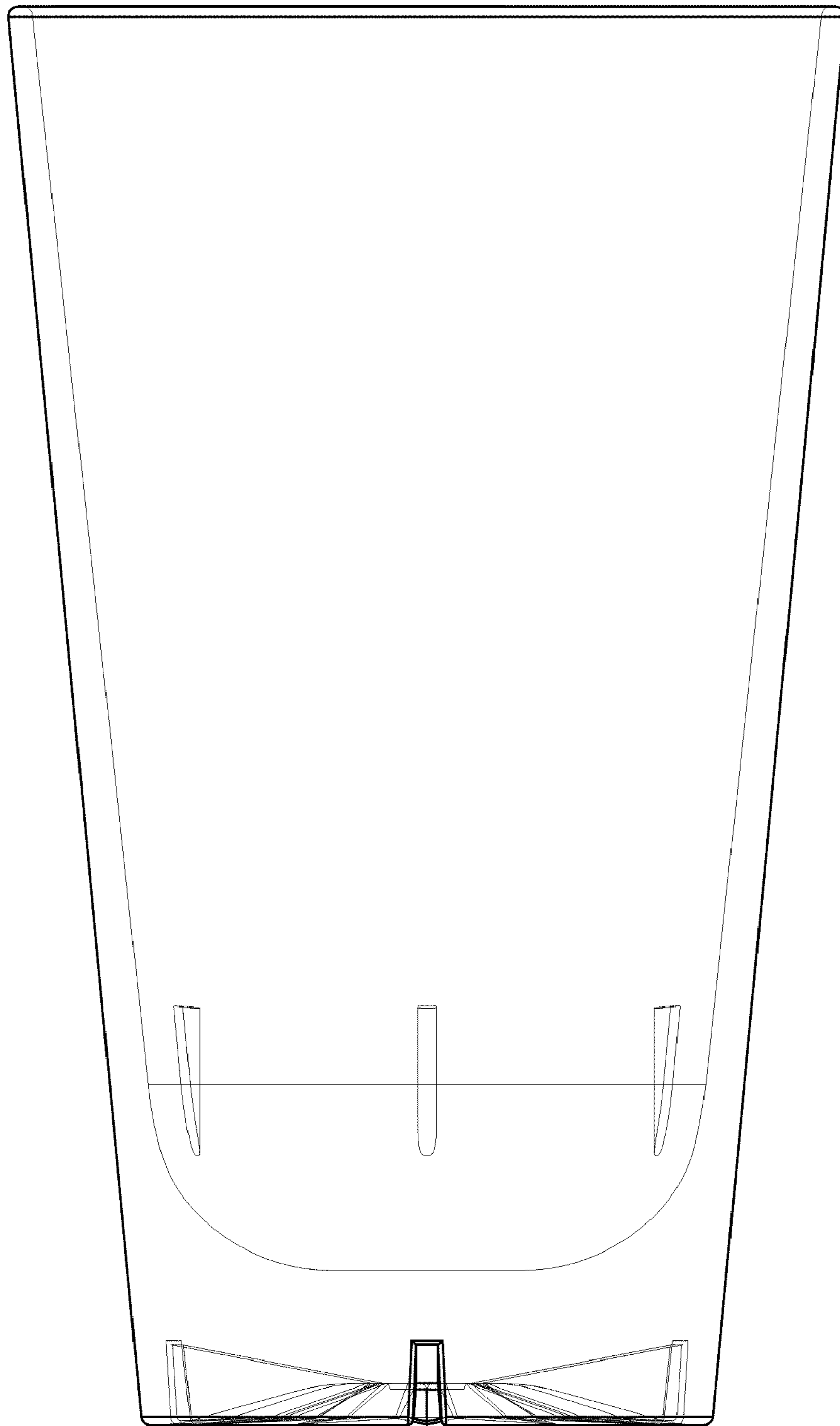


FIG.3

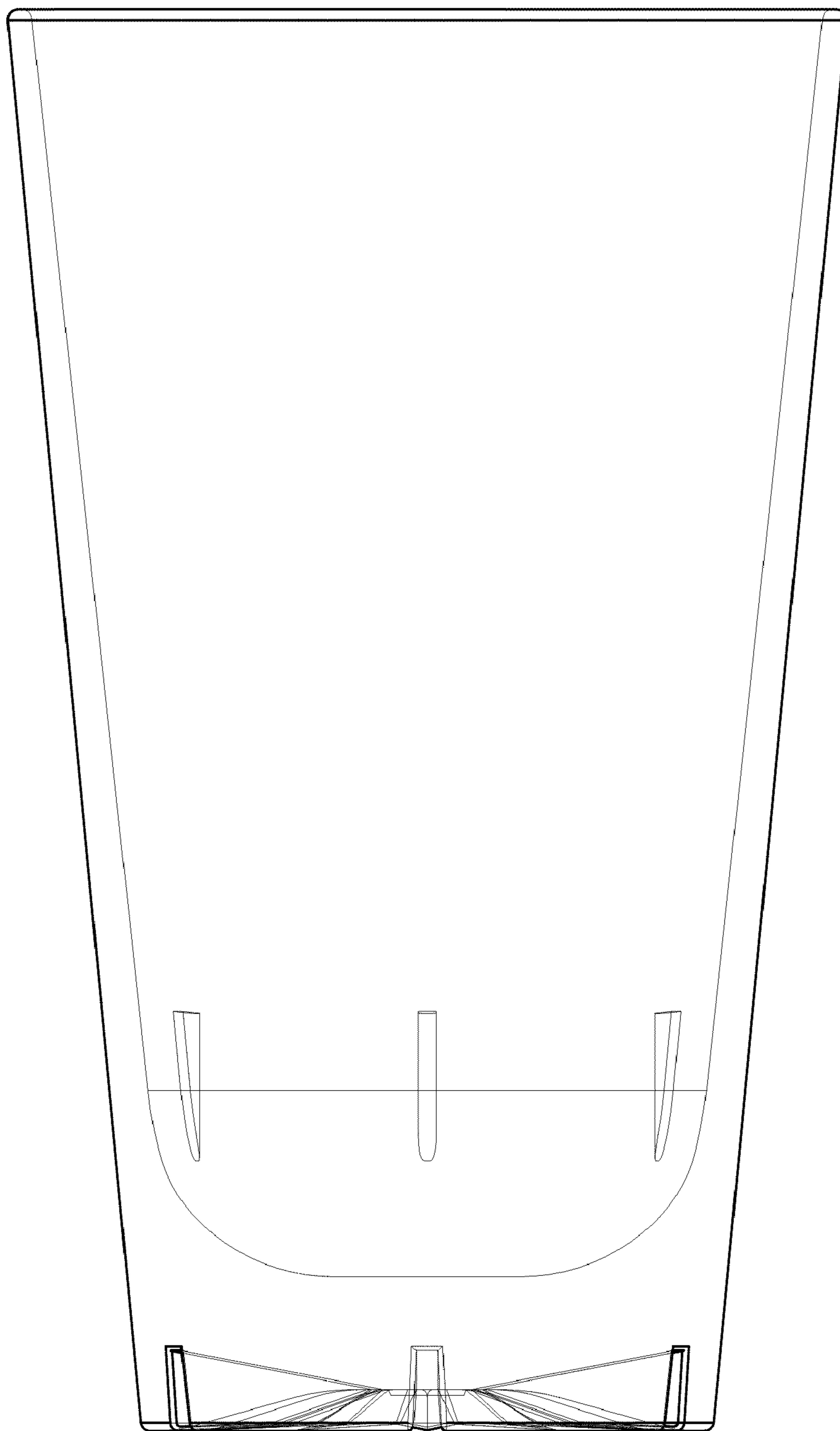


FIG.4

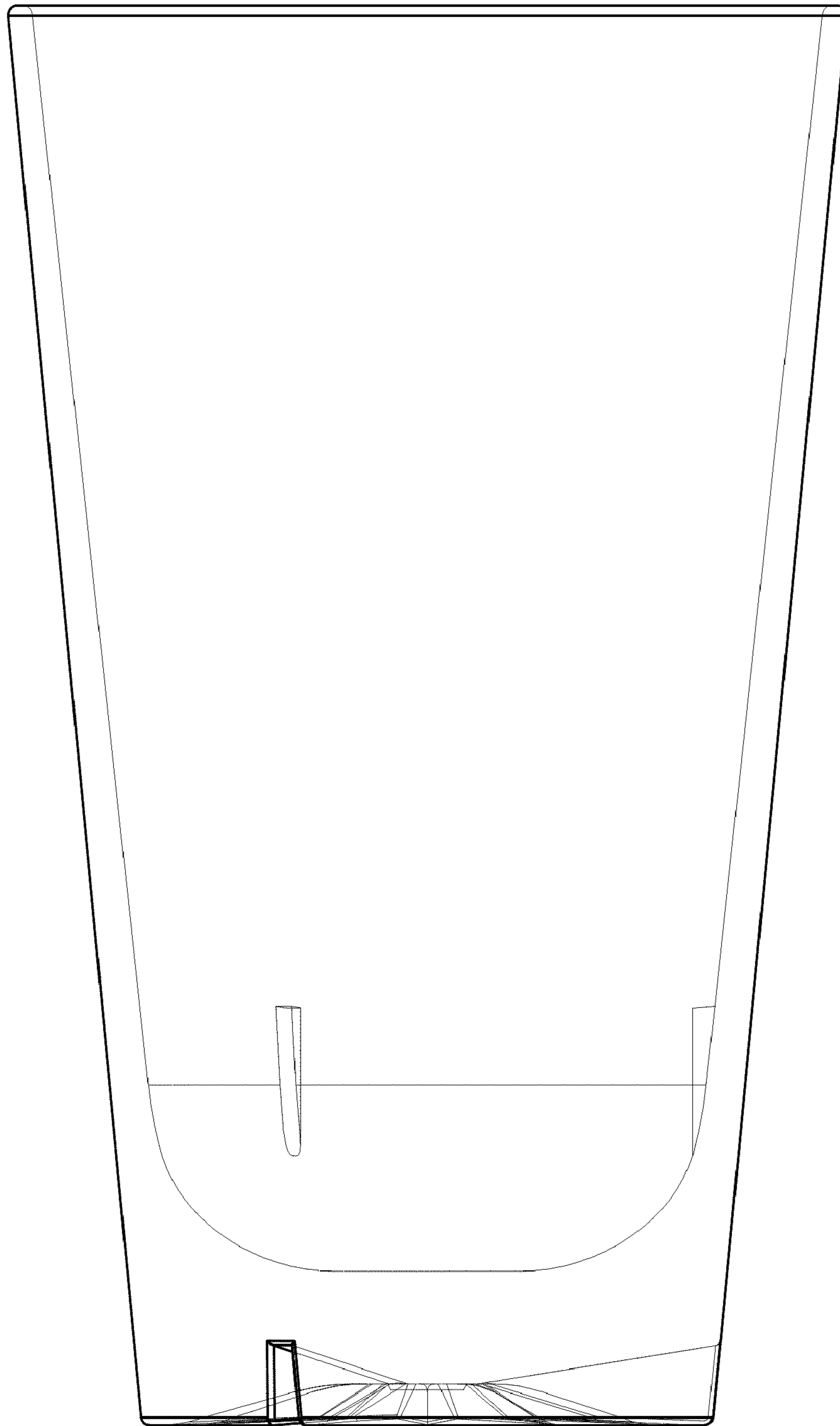


FIG.5

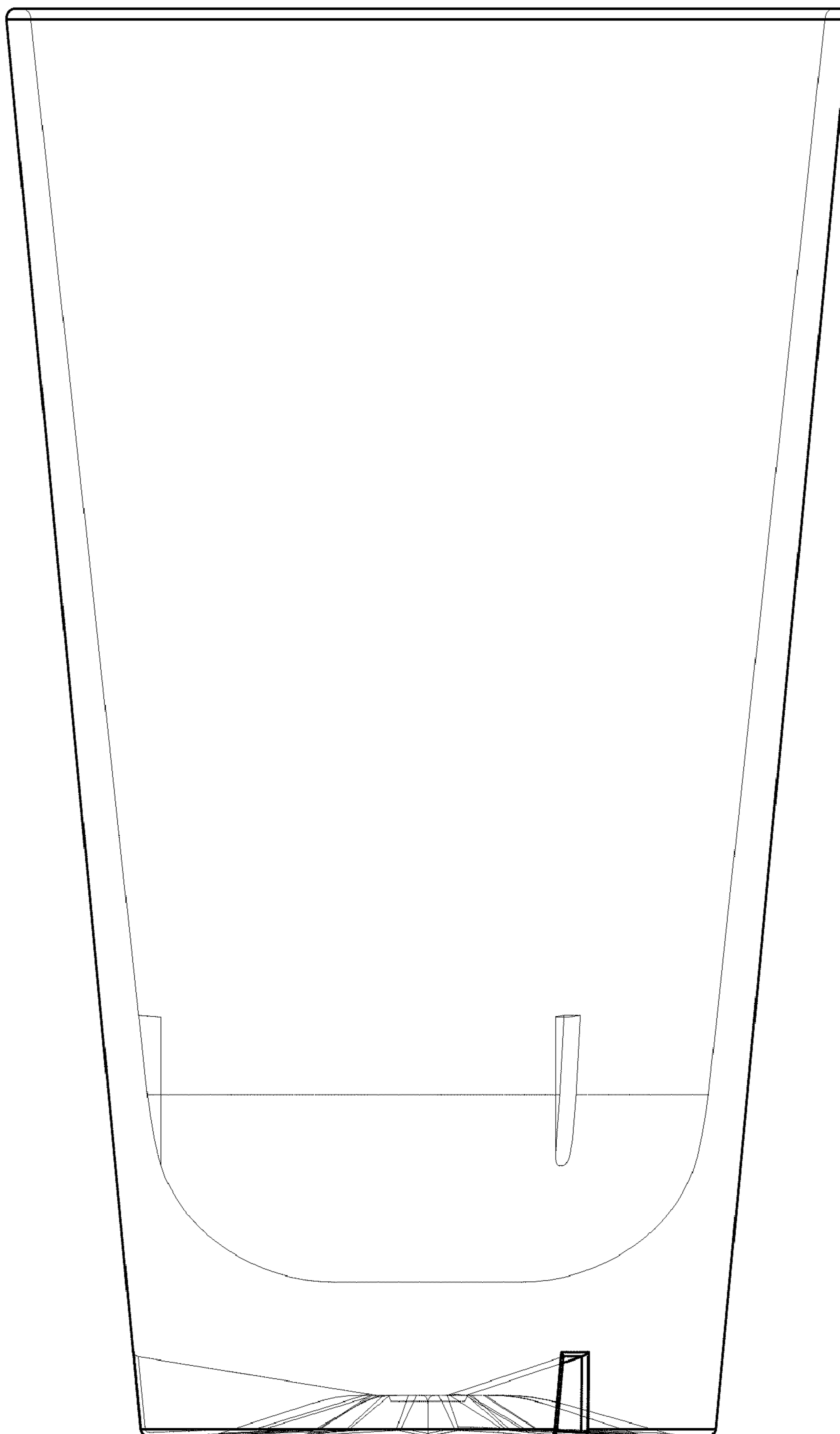


FIG.6

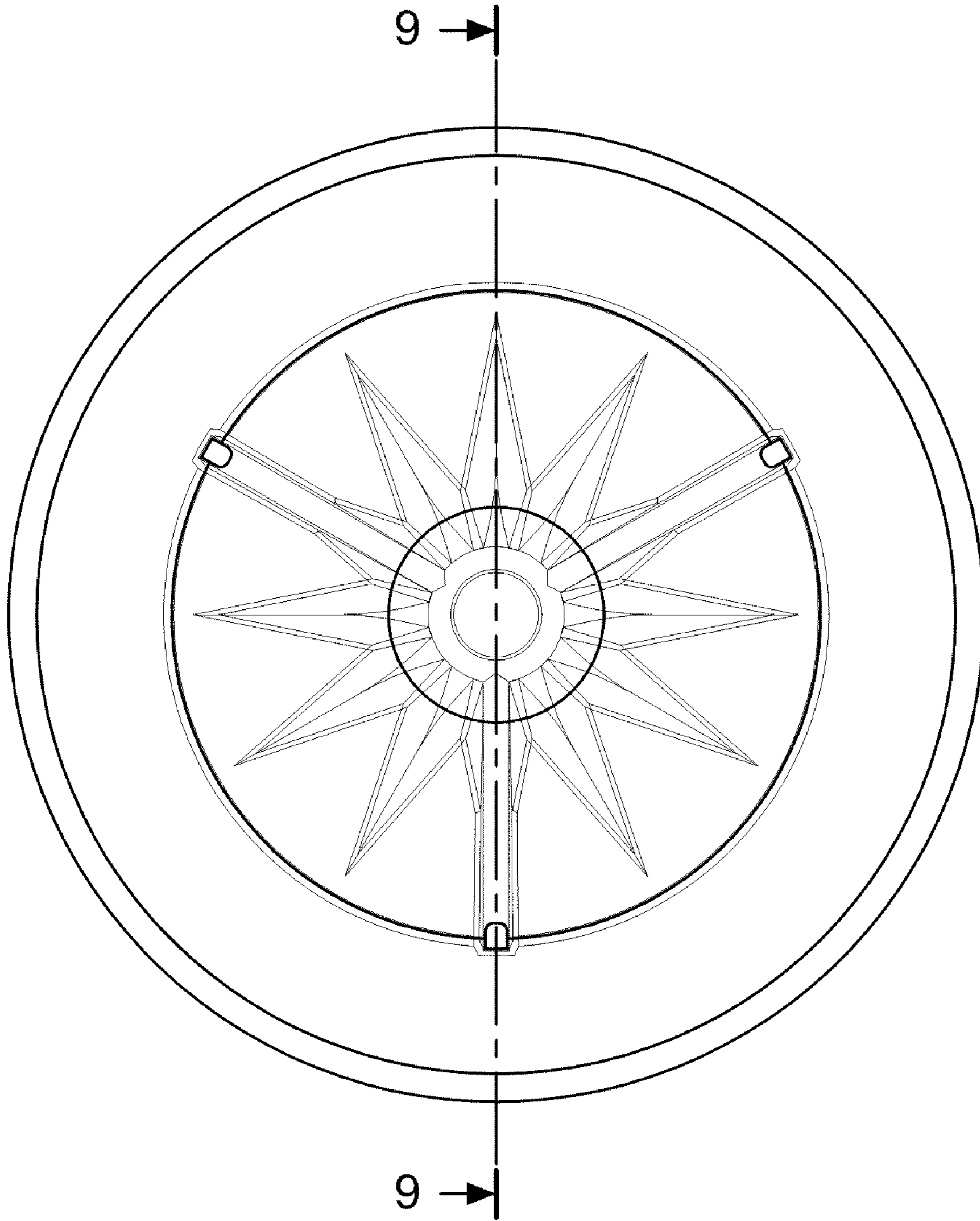


FIG.7

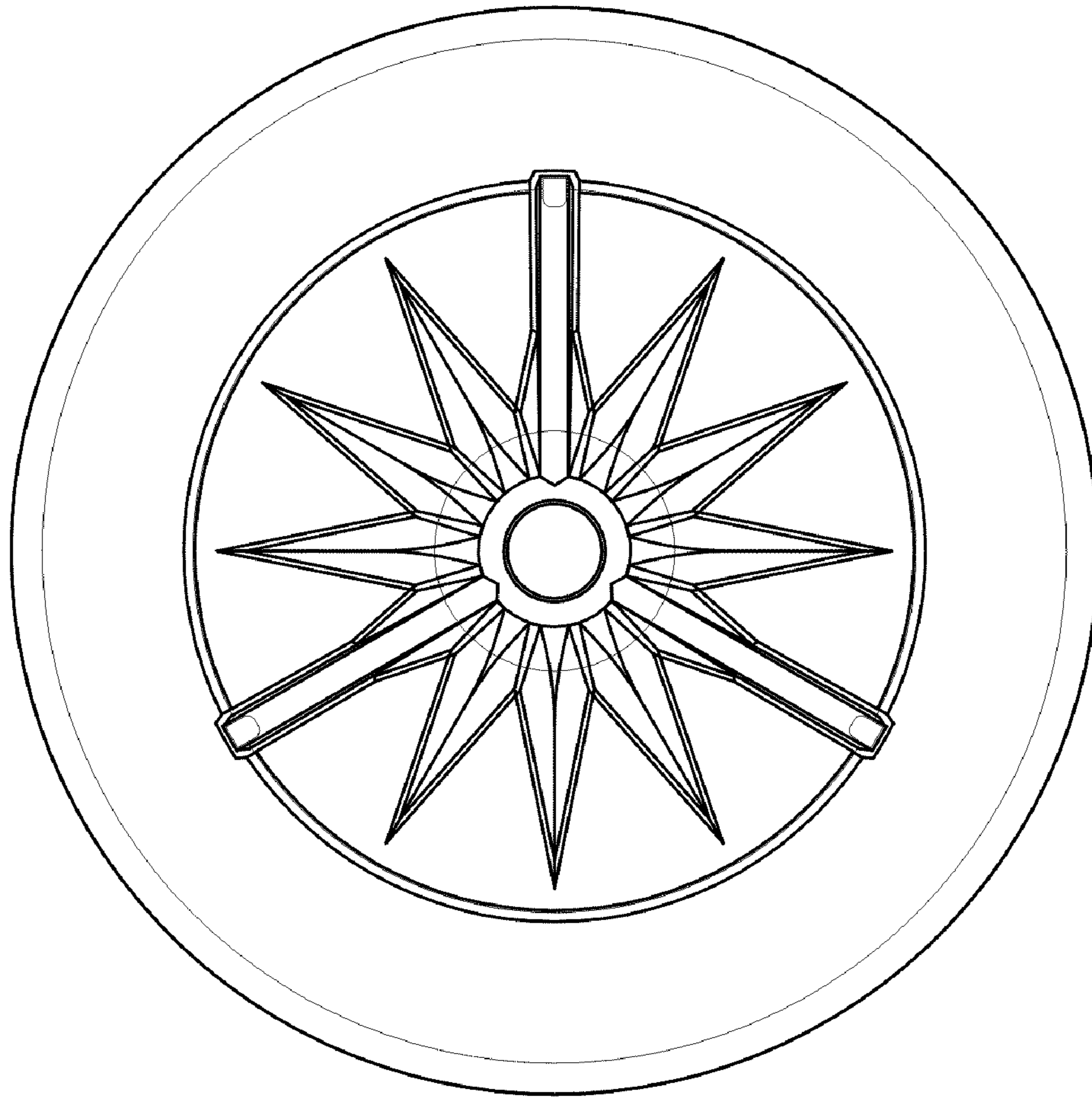


FIG.8

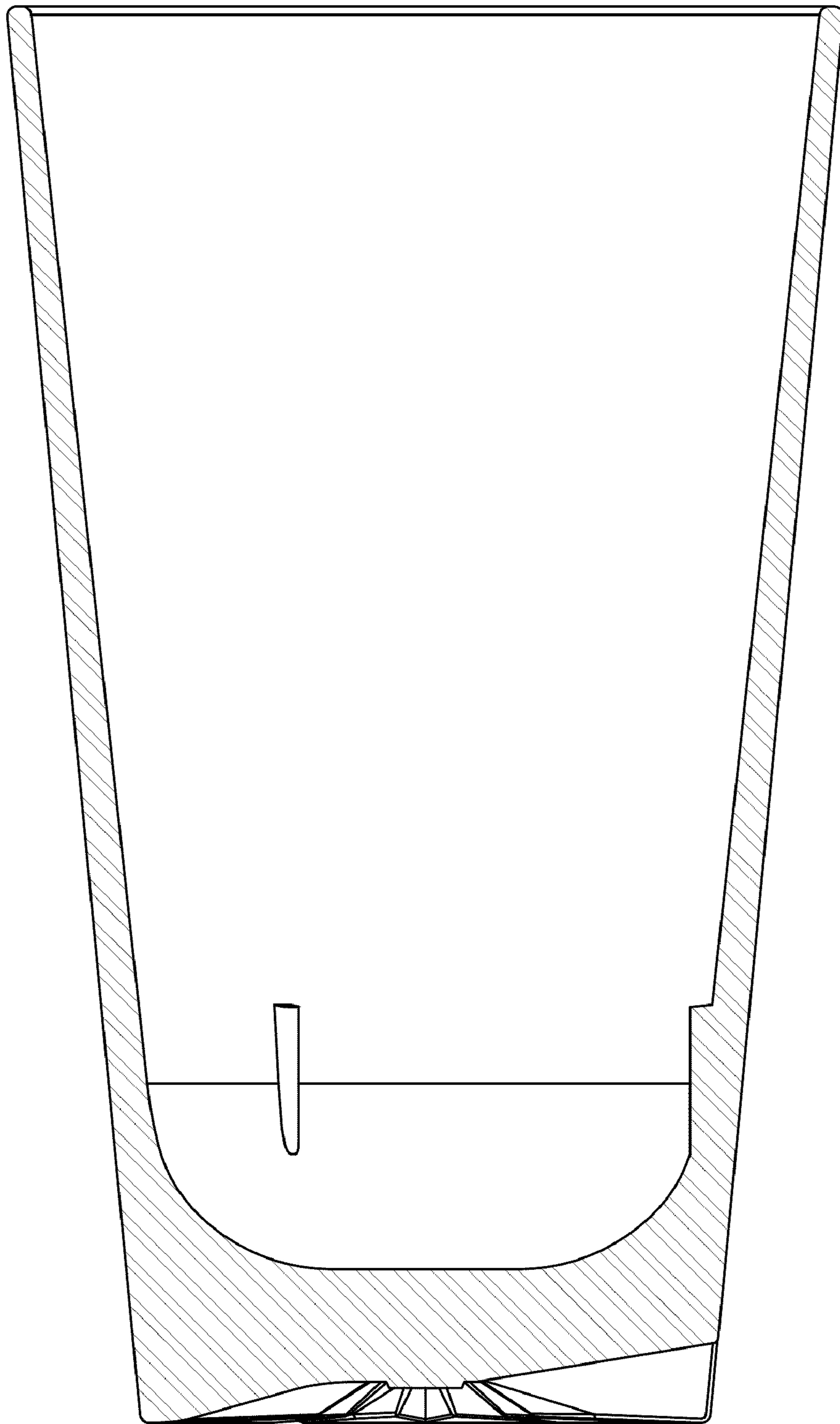


FIG.9