



US00D655979S

(12) **United States Design Patent**
Bolgert

(10) **Patent No.:** **US D655,979 S**
(45) **Date of Patent:** **** Mar. 20, 2012**

(54) **HANDLE FOR A SERVING UTENSIL**

(75) Inventor: **Paul Bolgert**, Sheboygan, WI (US)

(73) Assignee: **Polar Ware Company**, Kiel, WI (US)

(**) Term: **14 Years**

(21) Appl. No.: **29/362,654**

(22) Filed: **May 28, 2010**

(51) **LOC (9) Cl.** **07-02**

(52) **U.S. Cl.** **D7/401.2; D7/653**

(58) **Field of Classification Search** D7/361-368,
D7/393-395, 400, 401.2, 642-646, 649-654,
D7/660-664, 669, 675-676, 680-696; 30/123,
30/137, 141-143, 147-150, 322-327, 329,
30/340, 342-344; 76/105; 219/725; 294/7;
416/70 R

See application file for complete search history.

(56) **References Cited**

U.S. PATENT DOCUMENTS

275,112	A *	4/1883	Aldom	30/327
674,741	A *	5/1901	Patterson	76/105
790,191	A *	5/1905	Cowart	30/327
883,623	A *	3/1908	Chandler	30/324
D51,369	S *	10/1917	Galpin	D7/654
2,546,463	A *	3/1951	Lustig et al.	30/327
D184,076	S *	12/1958	Wheaton	D7/681
D201,565	S *	7/1965	Hvale	D7/395
D291,046	S *	7/1987	Johnson	D7/653
D292,663	S *	11/1987	Johnson	D7/691
D293,295	S *	12/1987	Johnson	D7/688
D307,095	S *	4/1990	Juergens	D7/653

D312,749	S *	12/1990	Kessler	D7/395
D323,768	S *	2/1992	Friederichs	D7/691
D362,591	S *	9/1995	Rosner	D7/401.2
D396,389	S *	7/1998	Durbin	D7/692
5,934,722	A *	8/1999	Evans	294/7
D413,772	S *	9/1999	Durbin	D7/688
D440,463	S *	4/2001	Groll	D7/395
6,239,417	B1 *	5/2001	Vidmar et al.	219/725
D460,901	S *	7/2002	Geborek	D7/691
D463,223	S *	9/2002	Bien	D7/696
D486,354	S *	2/2004	Bratton et al.	D7/395
D520,295	S *	5/2006	Schreiber-Pethan et al.	D7/395
D552,416	S *	10/2007	Claypool et al.	D7/393
D587,537	S *	3/2009	Vendl et al.	D7/688

* cited by examiner

Primary Examiner — Ricky Pham

(74) *Attorney, Agent, or Firm* — Boyle Fredrickson, S.C.

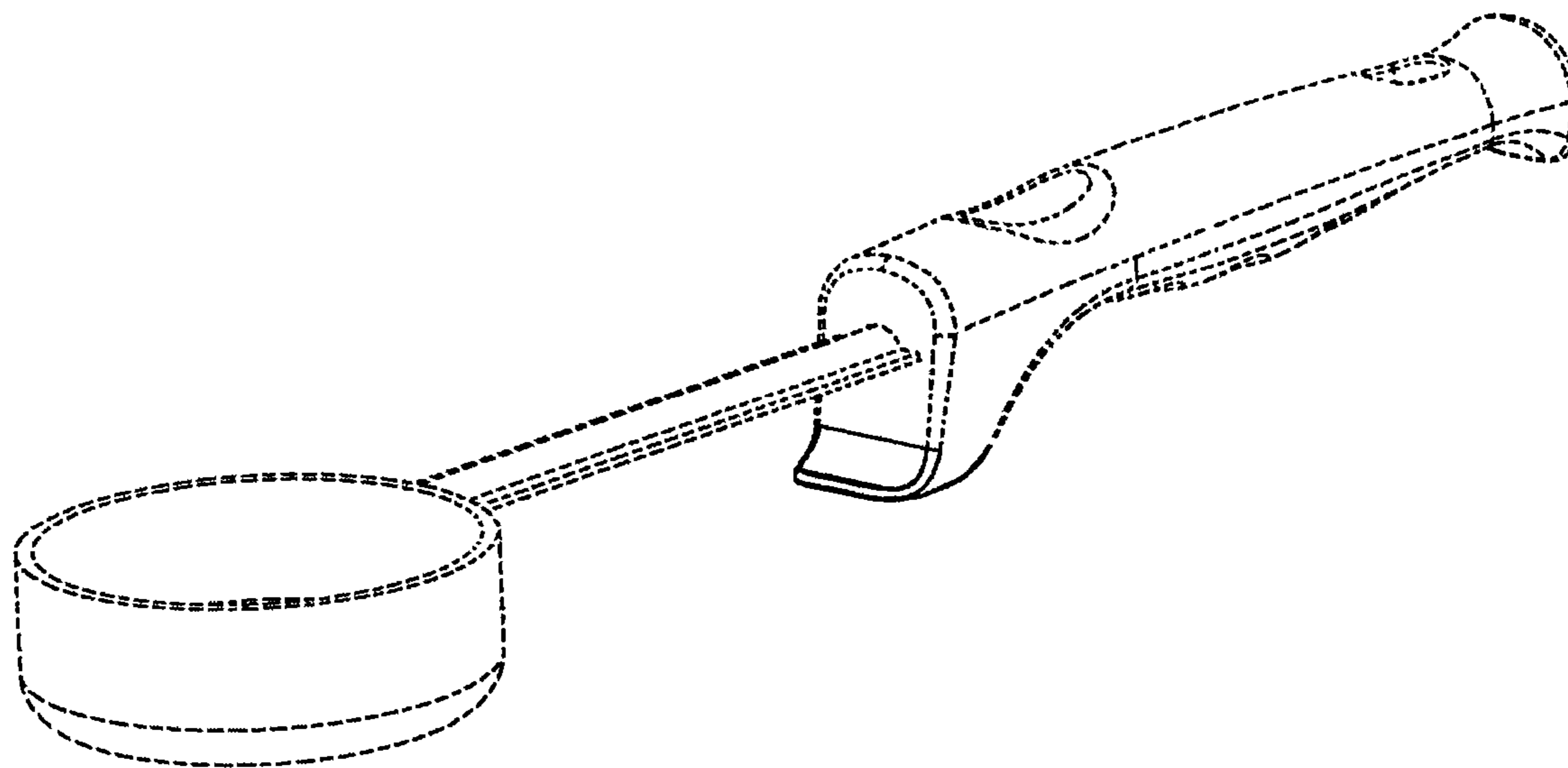
(57) **CLAIM**

The ornamental design for a handle for a serving utensil, as shown and described.

DESCRIPTION

FIG. 1 is an isometric view of a serving utensil having a handle, embodying a new design;
FIG. 2 is a front elevation view thereof;
FIG. 3 is a rear elevation view thereof;
FIG. 4 is a side elevation view, the opposite side being a mirror image thereof;
FIG. 5 is a top plan view thereof; and,
FIG. 6 is a bottom plan view thereof.
The broken lines shown in the drawings are for illustrative purposes only and form no part of the claimed design.

1 Claim, 3 Drawing Sheets



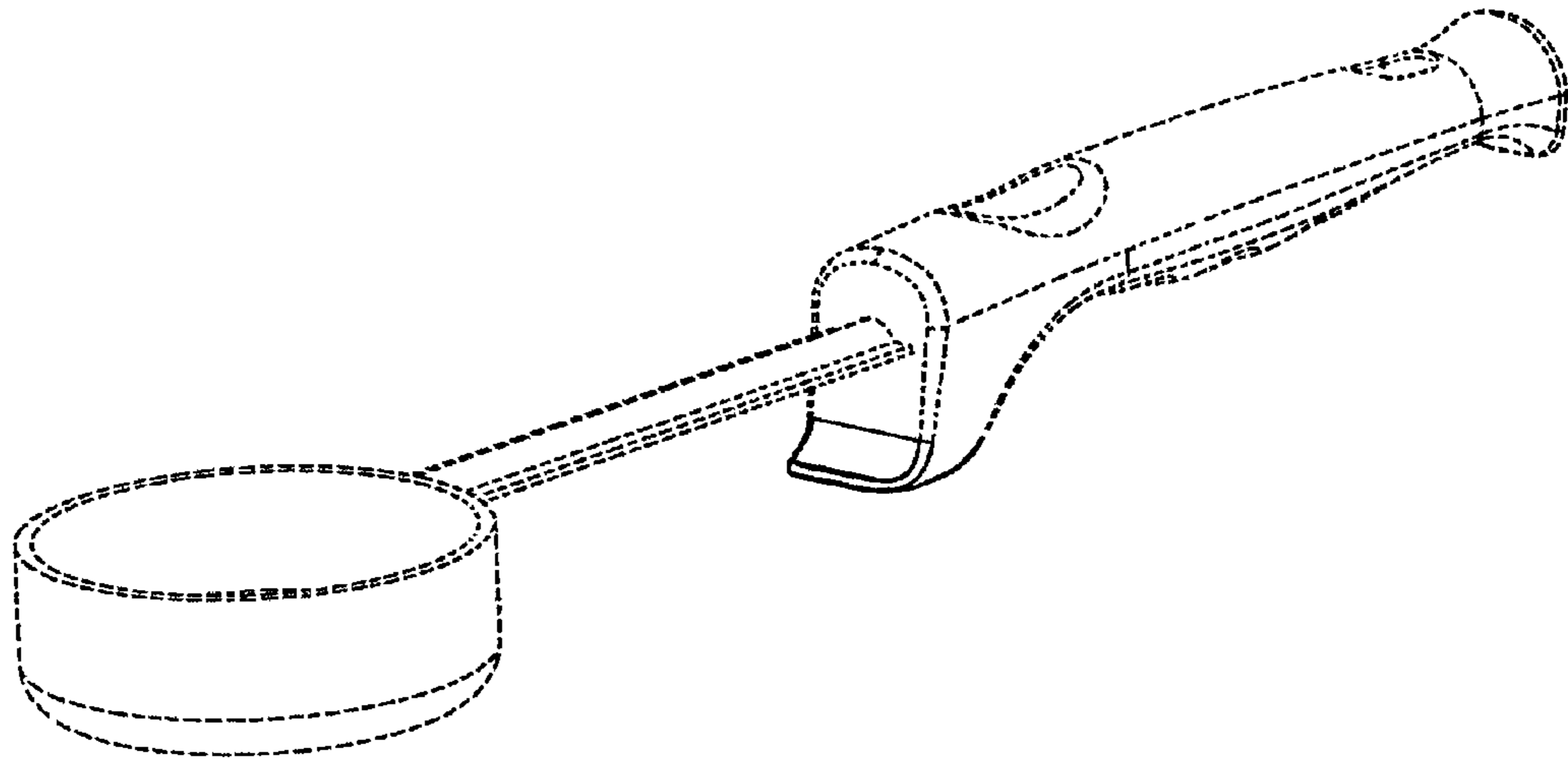


FIG. 1

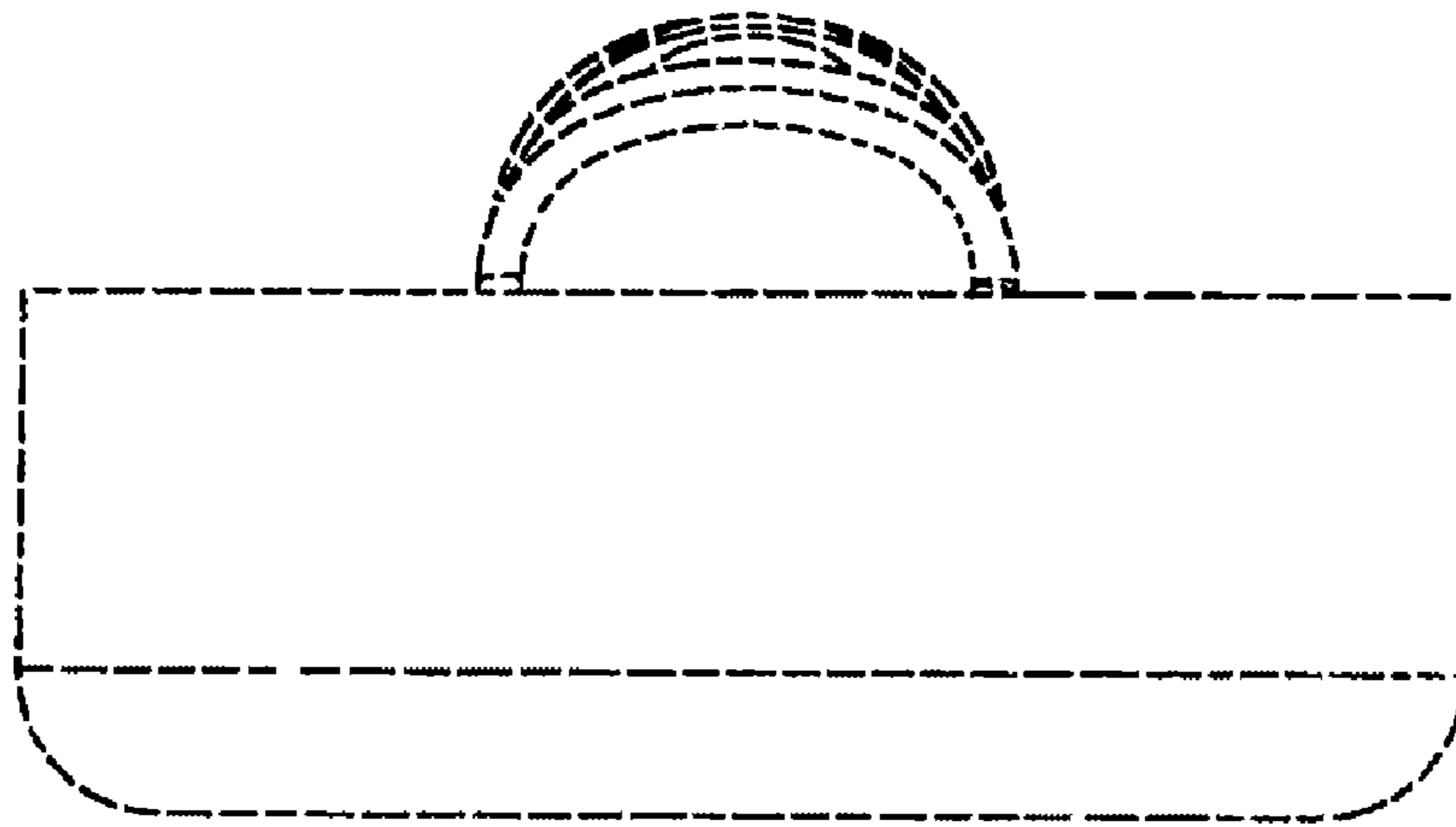


FIG. 2

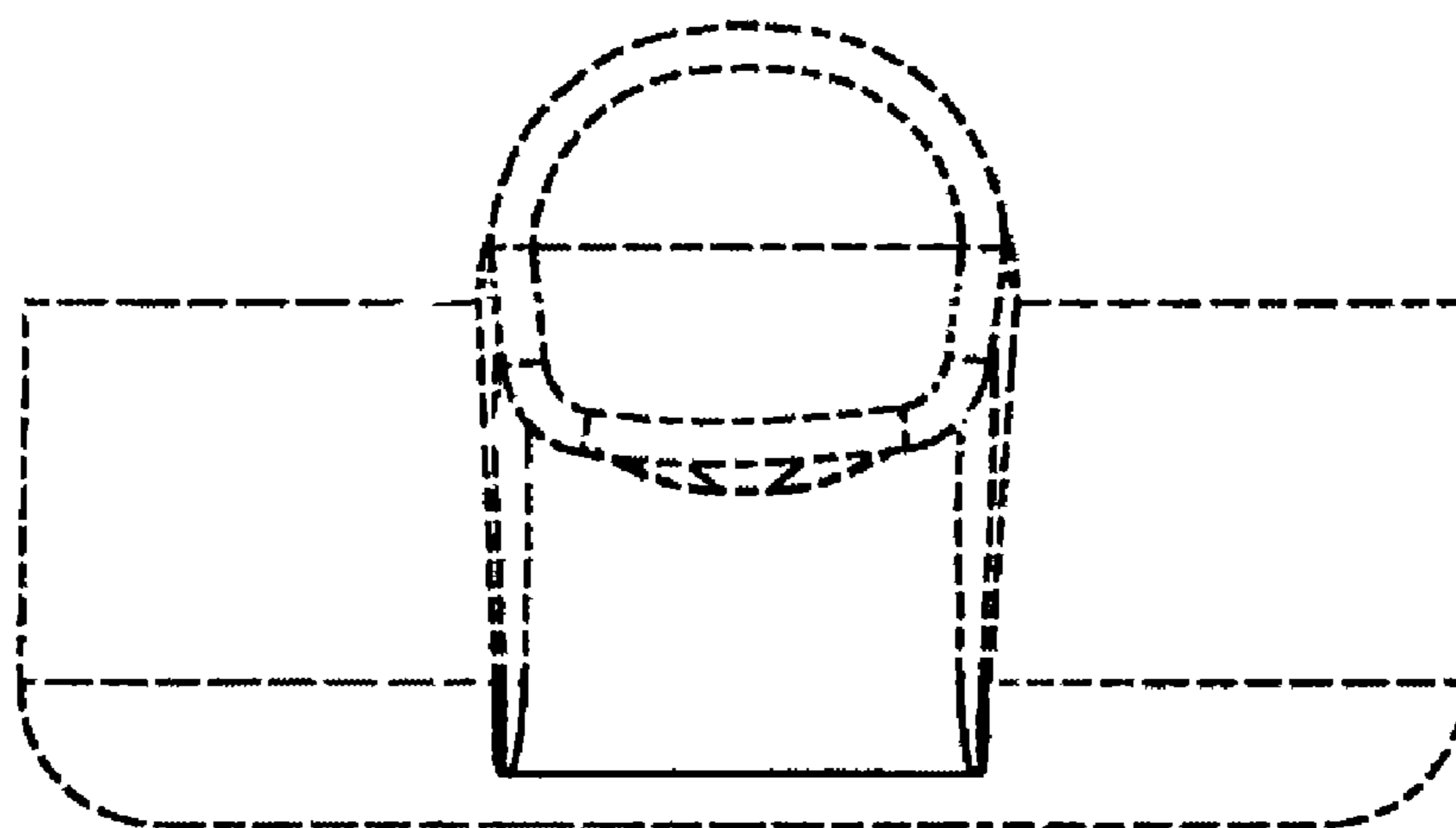


FIG. 3

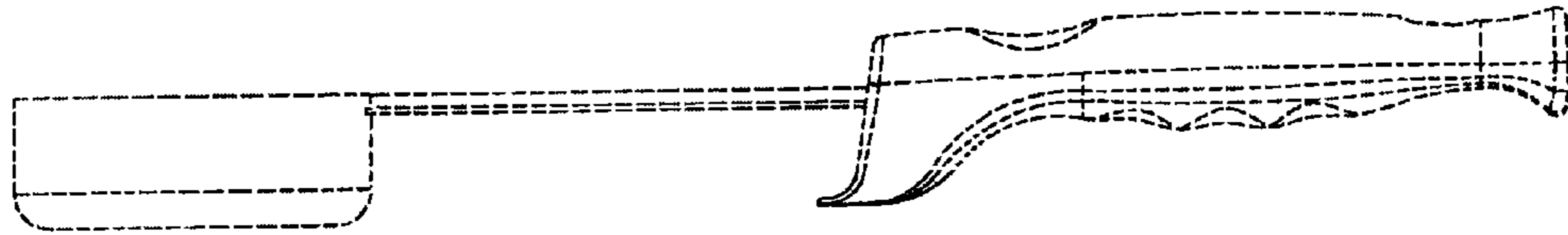


FIG. 4

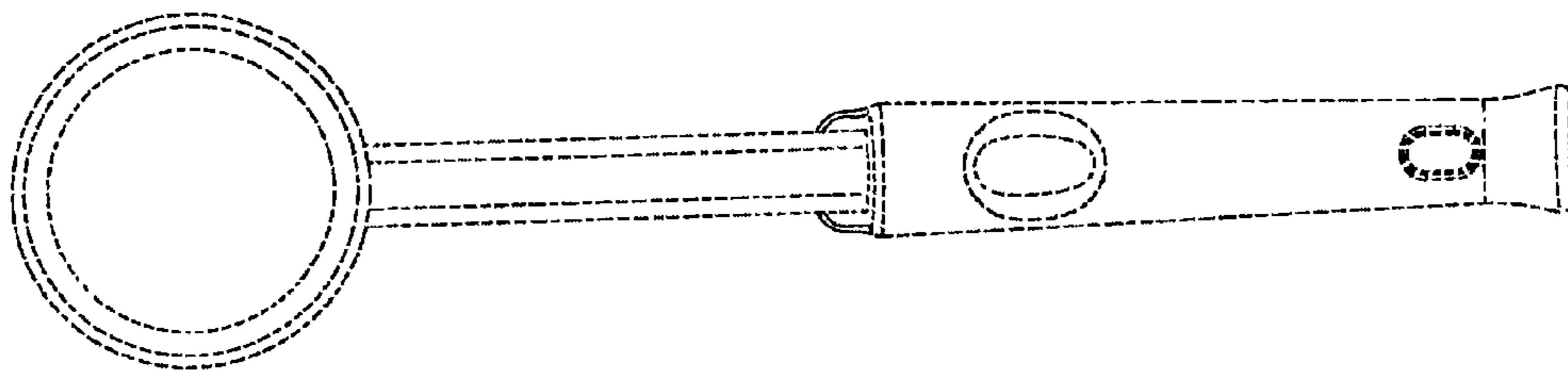


FIG. 5

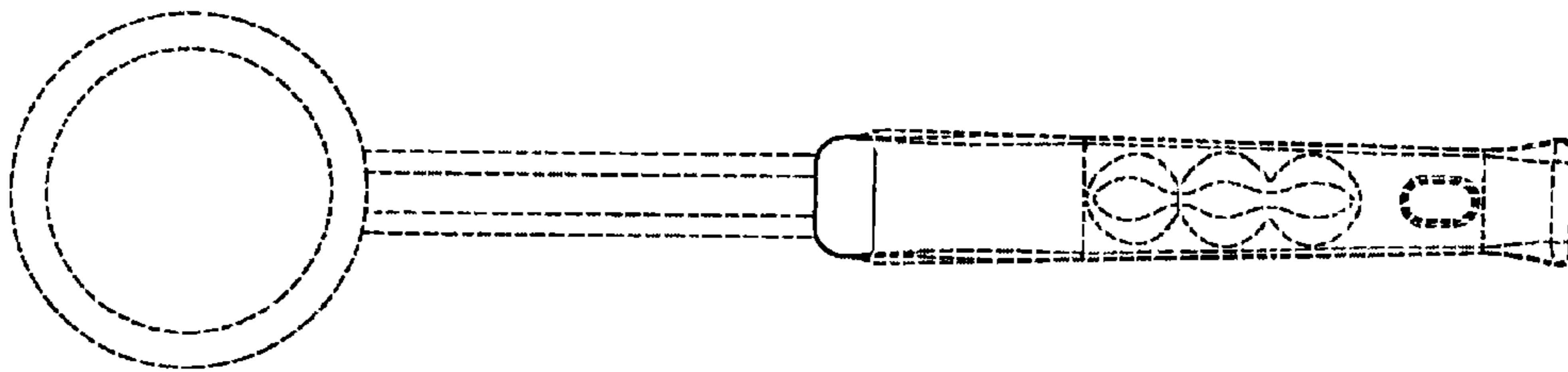


FIG. 6