

US00D655974S

(12) **United States Design Patent**  
**Lee**

(10) **Patent No.:** **US D655,974 S**  
(45) **Date of Patent:** **\*\* Mar. 20, 2012**

- (54) **ICE SHAVER AND DISPENSER**
  - (75) Inventor: **Hyung-seok Lee**, Chicago, IL (US)
  - (73) Assignee: **Sunbeam Products, Inc.**, Boca Raton, FL (US)
  - (\*\*) Term: **14 Years**
  - (21) Appl. No.: **29/403,467**
  - (22) Filed: **Oct. 6, 2011**
  - (51) **LOC (9) Cl.** ..... **31-00**
  - (52) **U.S. Cl.** ..... **D7/374; D7/376; D7/378; D7/412**
  - (58) **Field of Classification Search** ..... D7/301-311, D7/316-318, 368, 372-386, 391, 412-415, D7/515, 665, 679; D15/82; 99/326, 348, 99/508-511; 241/30-37.5, 101.01-101.2, 241/166-169.1, 172, 285.1-285.3, 291, 292.1; 366/64-67, 98, 129, 142, 197-211, 241-254, 366/262, 279-292, 325.8, 325.92, 341-347; 416/75-77, 70 R, 163
- See application file for complete search history.

D406,154 S *	2/1999	Copland et al.	.....	D15/82
D429,597 S *	8/2000	Lee	.....	D7/374
D433,872 S *	11/2000	Naft et al.	.....	D7/384
D463,204 S *	9/2002	Wade	.....	D7/374
D471,059 S *	3/2003	Chuang	.....	D7/374
D478,100 S *	8/2003	Wade	.....	D15/82
D528,356 S *	9/2006	Upah et al.	.....	D7/374
D540,127 S *	4/2007	Ye et al.	.....	D7/665
D628,024 S *	11/2010	Arn	.....	D7/679

\* cited by examiner

*Primary Examiner* — Ricky Pham  
(74) *Attorney, Agent, or Firm* — Michael J. Corrigan

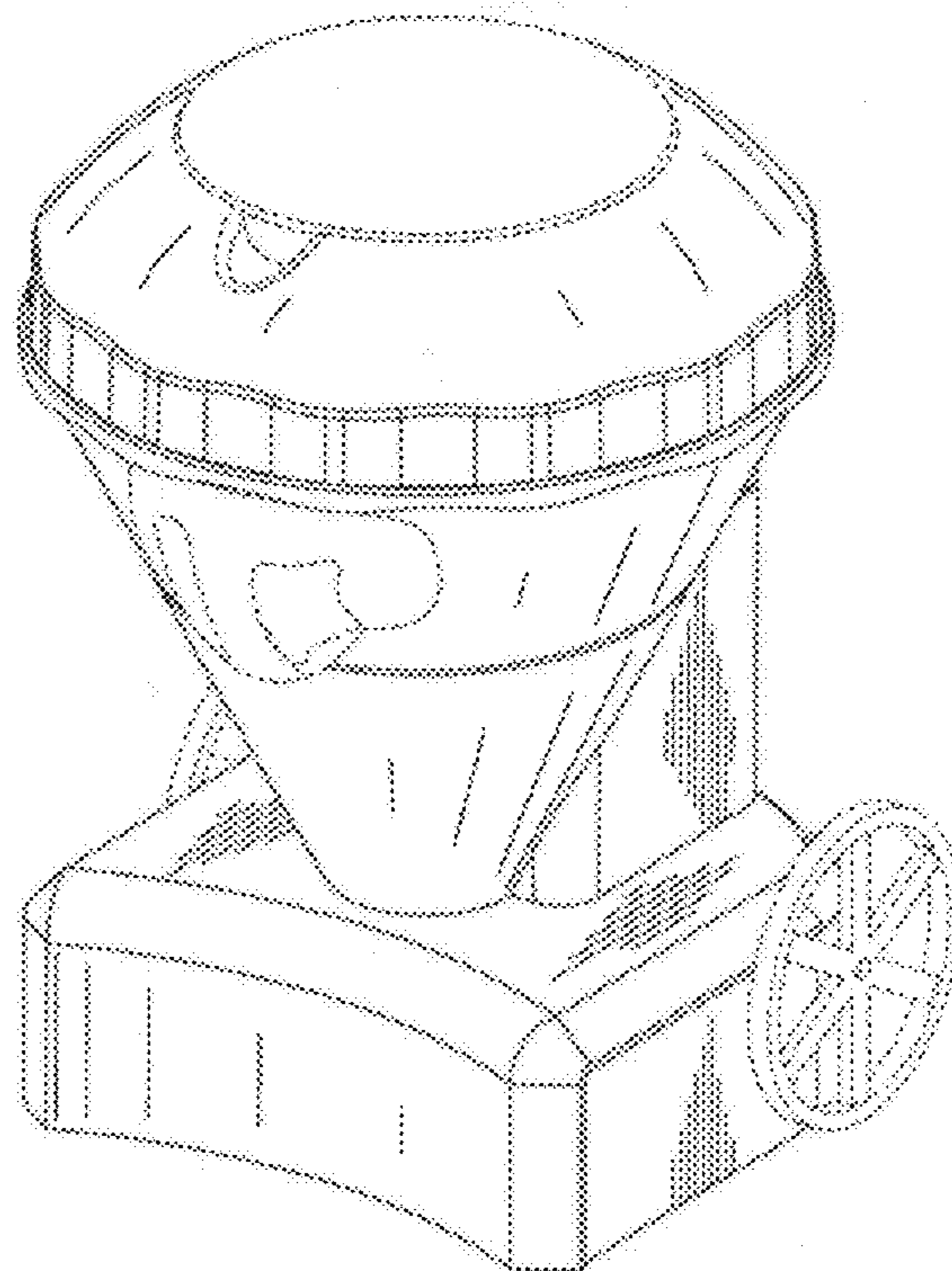
(57) **CLAIM**  
The ornamental design for the ice shaver and dispenser, as shown and described.

**DESCRIPTION**

FIG. 1 is a front perspective view of the ice shaver and dispenser;  
FIG. 2 is a front view thereof;  
FIG. 3 is a right side view thereof;  
FIG. 4 is a rear view thereof;  
FIG. 5 is a left side view thereof; and,  
FIG. 6 is a top plan view thereof.  
The portion shown in dashed lines is shown for illustrative purposes only and forms no part of the claimed design.

**1 Claim, 6 Drawing Sheets**

- (56) **References Cited**
- U.S. PATENT DOCUMENTS
- D140,454 S \* 2/1945 Talge ..... D7/374
- D140,455 S \* 2/1945 Talge ..... D7/374



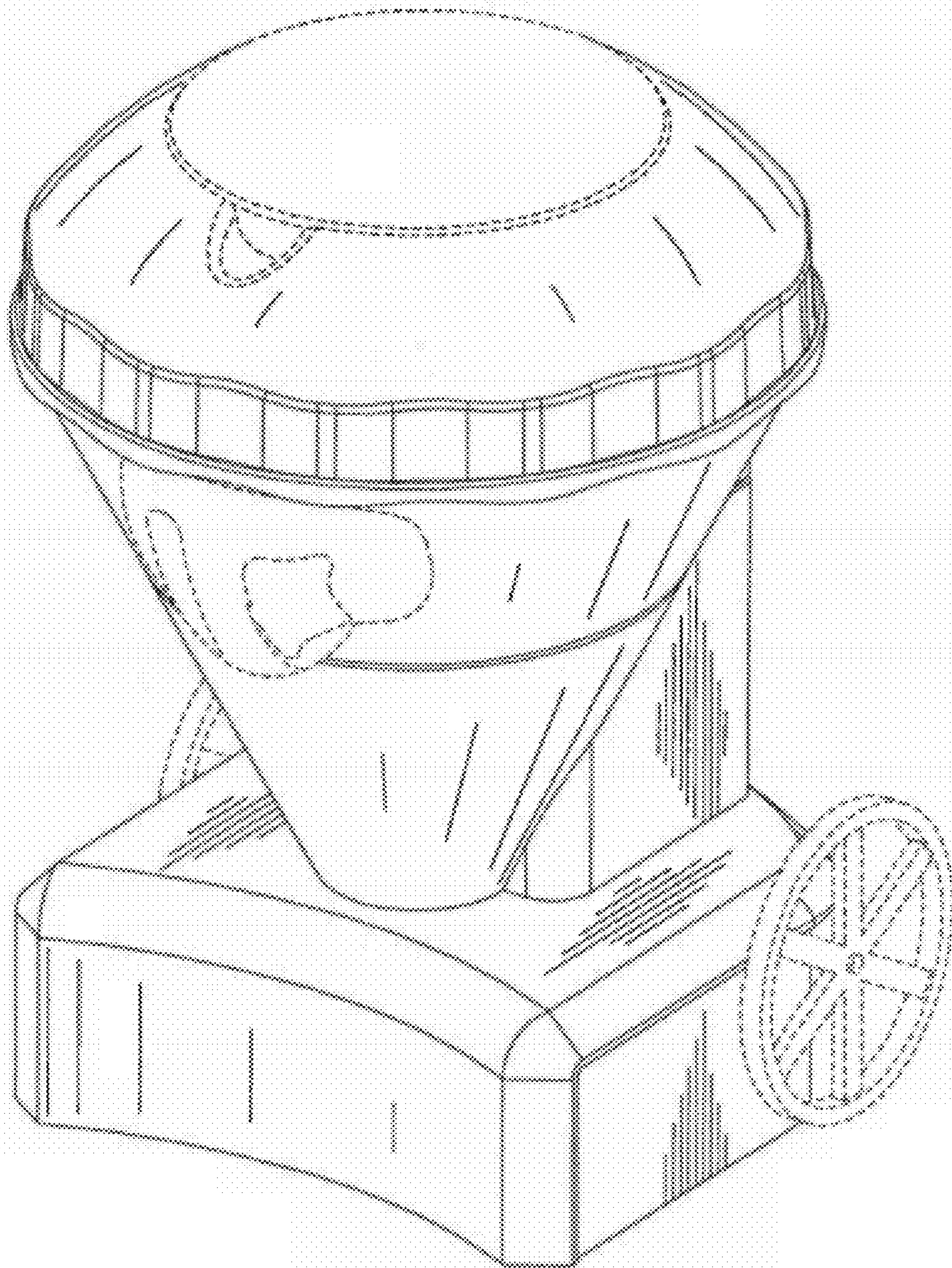


FIG 1

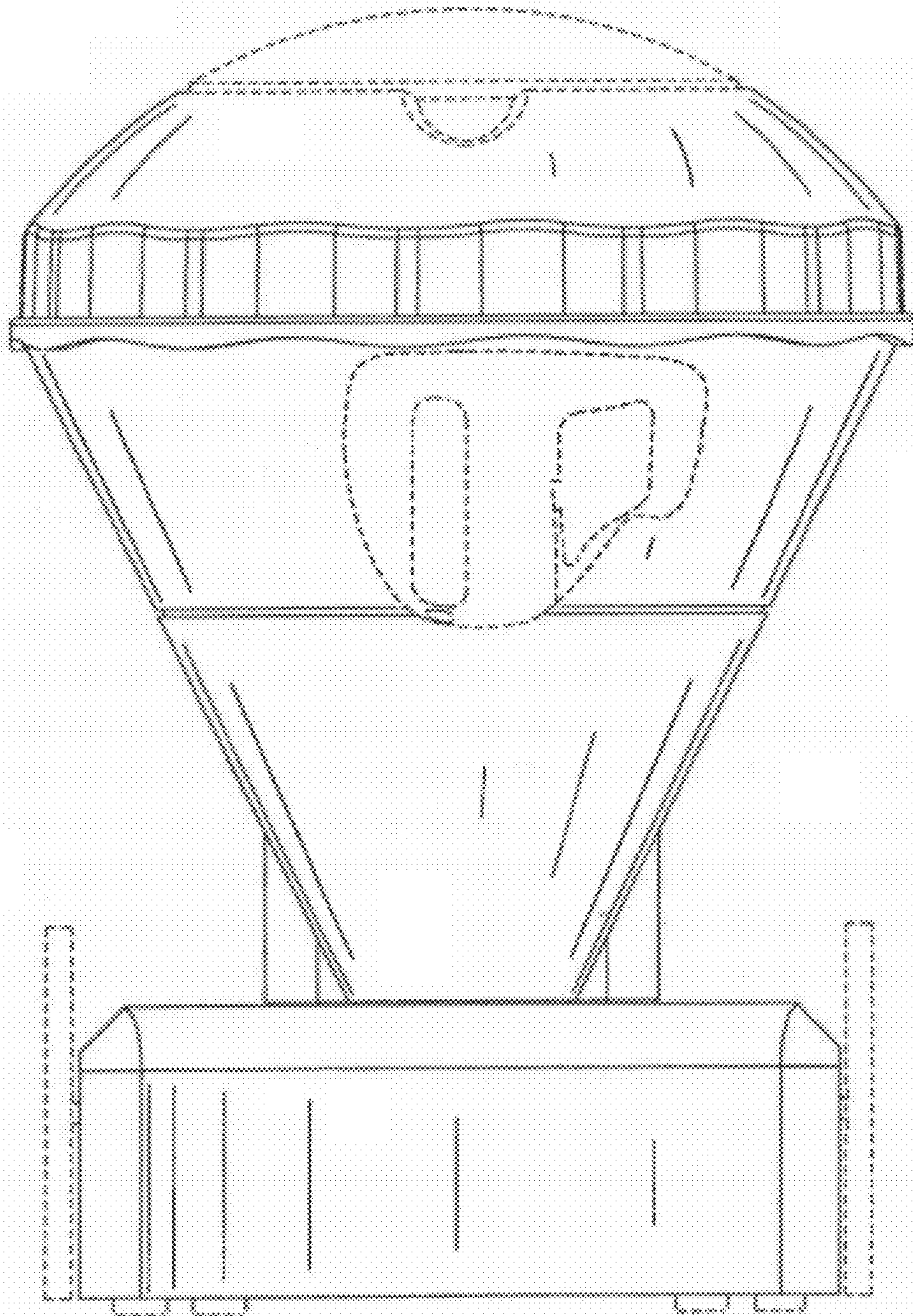


FIG 2

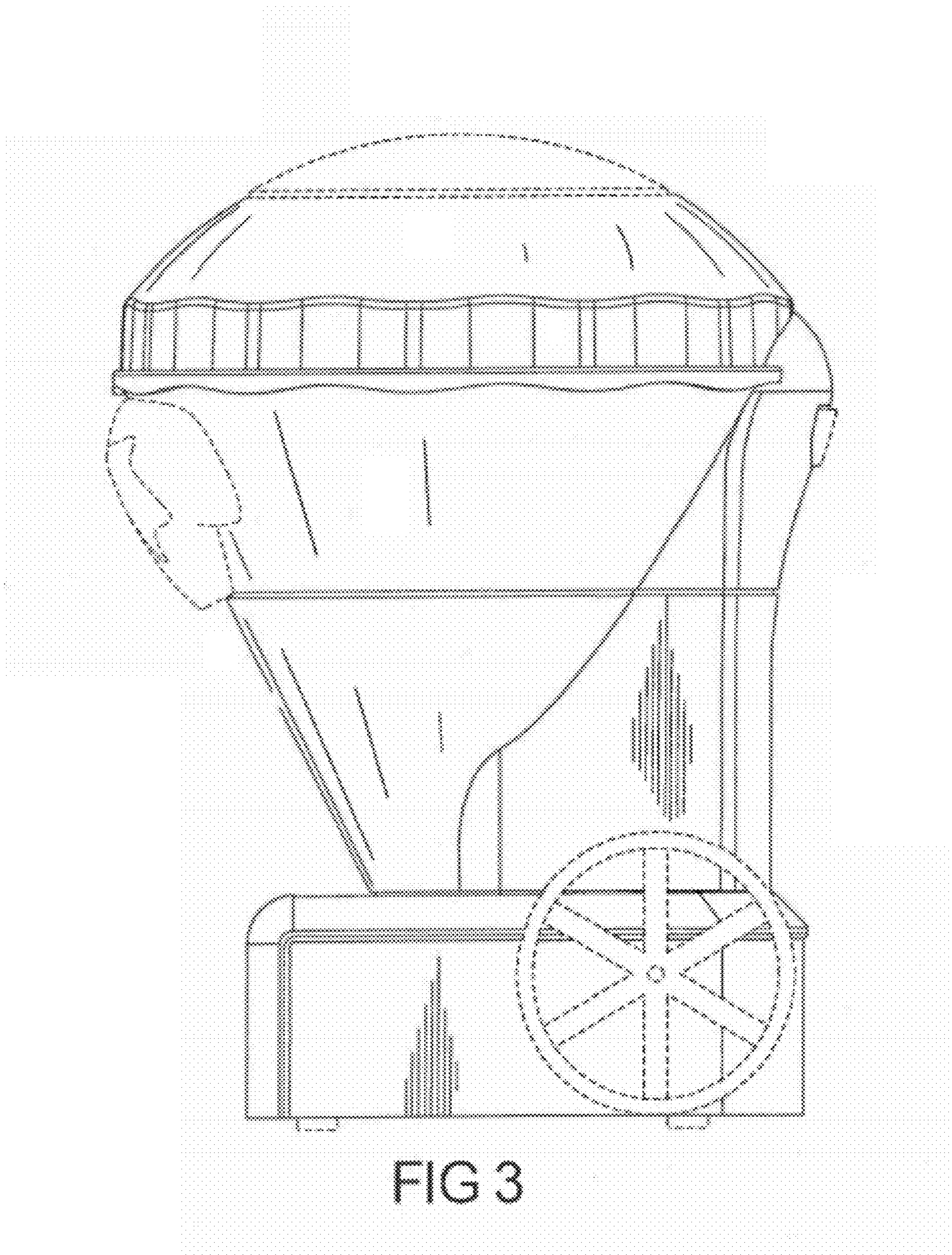


FIG 3

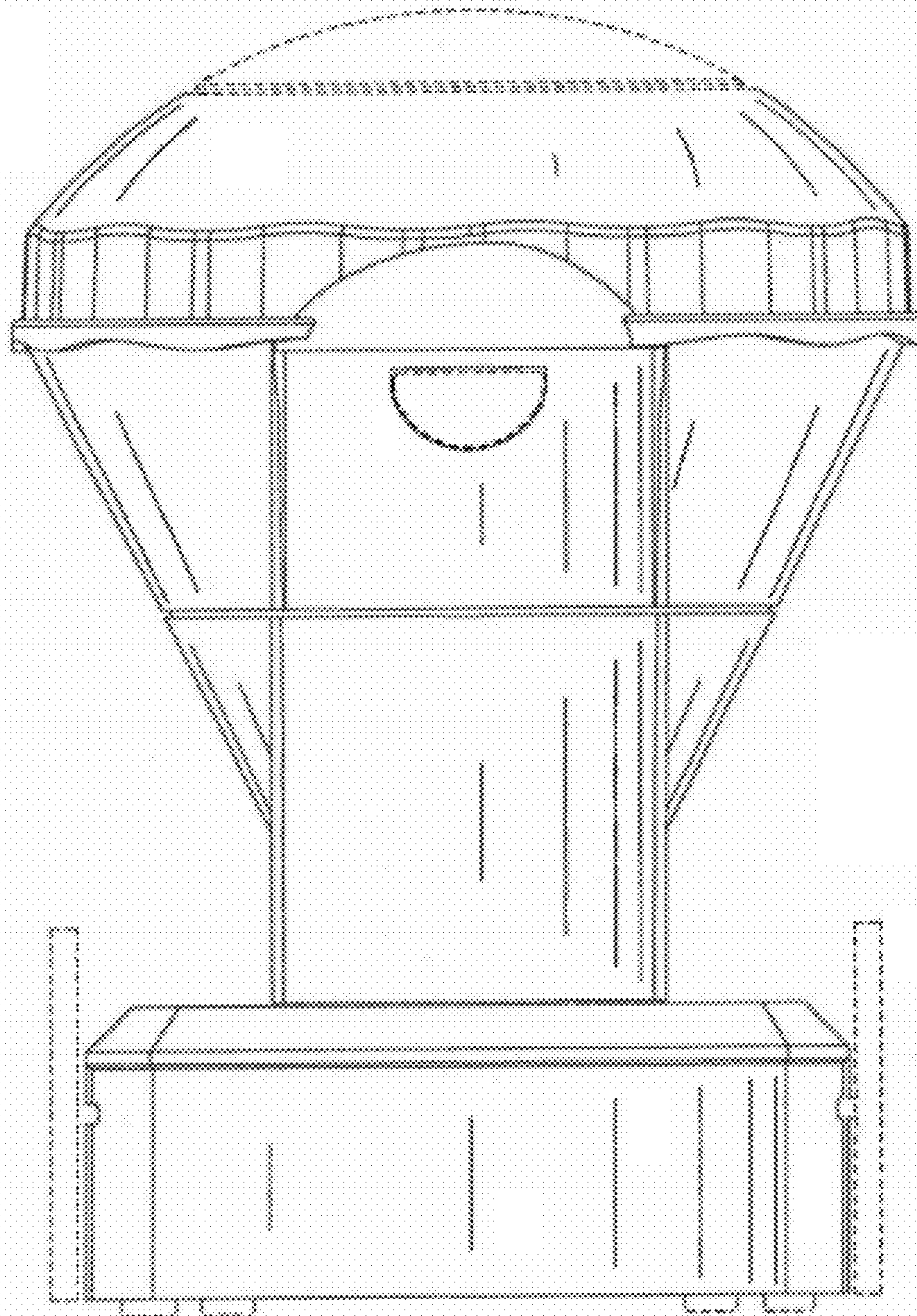


FIG 4

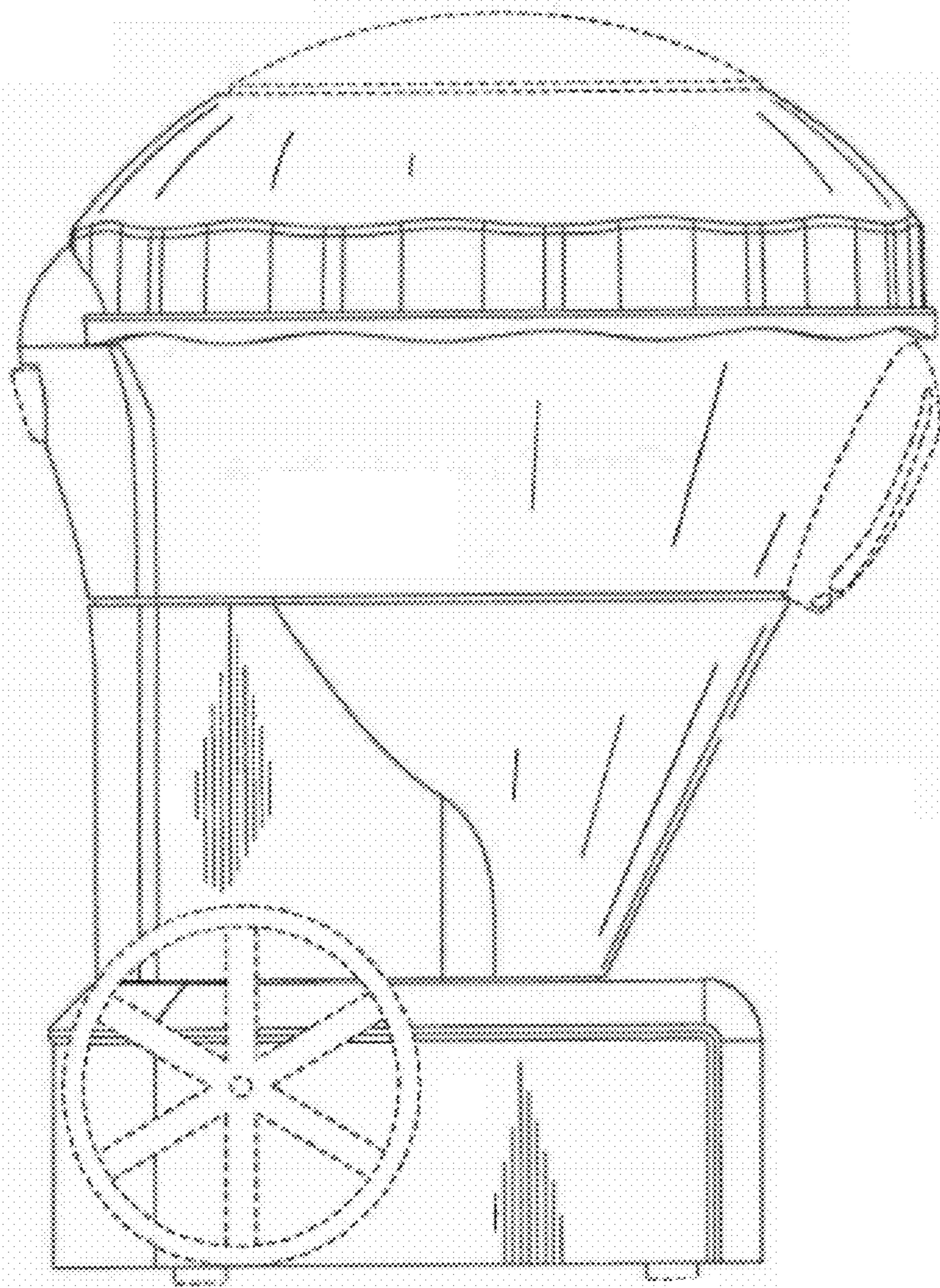


FIG 5

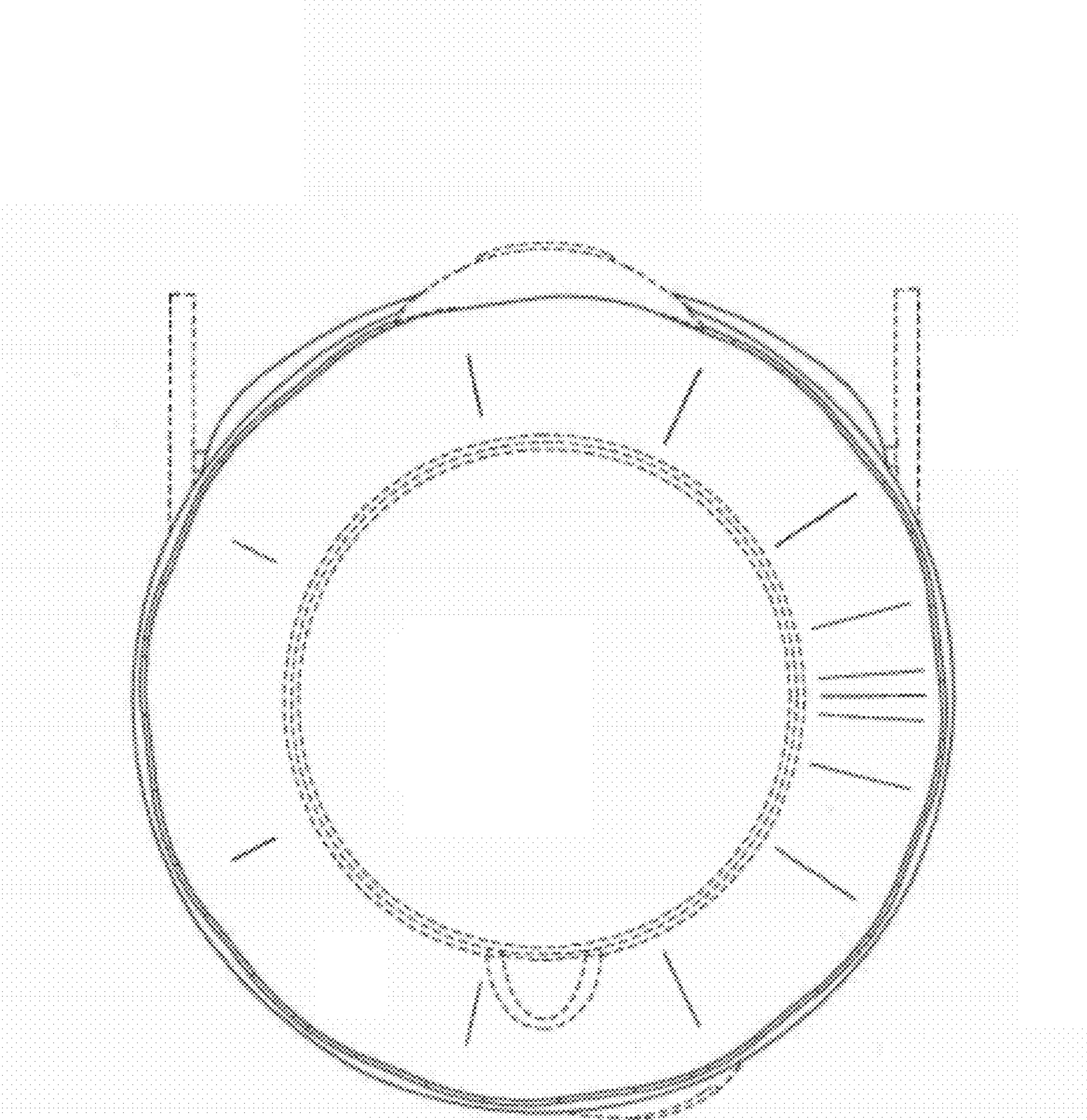


FIG 6