



US00D655971S

(12) **United States Design Patent**
Reiner

(10) **Patent No.:** **US D655,971 S**
(45) **Date of Patent:** **** Mar. 20, 2012**

(54) **ELECTRIC FRYER**
(75) Inventor: **Guillaume Reiner**, Grenoble (FR)
(73) Assignee: **SEB**, Selongey (FR)
(**) Term: **14 Years**
(21) Appl. No.: **29/400,036**
(22) Filed: **Aug. 23, 2011**

D604,092 S * 11/2009 Kotani D7/354
D622,093 S 8/2010 Reiner
D632,128 S * 2/2011 Lam D7/354
D638,251 S 5/2011 Josancy
D641,586 S * 7/2011 Martin D7/361
7,993,694 B2 * 8/2011 Goderiaux et al. 426/438
2004/0065211 A1 * 4/2004 McNair 99/348
2008/0163764 A1 7/2008 Payen et al.
2008/0213447 A1 9/2008 Payen et al.

(30) **Foreign Application Priority Data**
Feb. 25, 2011 (FR) 11 1075
(51) **LOC (9) Cl.** **07-02**
(52) **U.S. Cl.** **D7/354**
(58) **Field of Classification Search** D7/323,
D7/329-332, 339, 346-347, 350.1-350.4,
D7/353-367, 391, 393, 395, 402, 406, 538,
D7/542; 99/324-325, 331-332, 337-348,
99/369, 400-418, 422, 425, 444, 451, 483,
99/644; 126/37 R, 261, 374.1, 378.1; 206/501-505,
206/507-508; 219/400, 405, 429-442, 620-624,
219/725, 730-735; 220/203.05, 203.07,
220/203.09, 298, 315-316, 573.1-573.5,
220/912; 426/438, 441
See application file for complete search history.

FOREIGN PATENT DOCUMENTS

FR 05/6340 2/2006
FR 09/2453 7/2009

* cited by examiner

Primary Examiner — Ricky Pham

(74) *Attorney, Agent, or Firm* — Loeb & Loeb LLP

(57) **CLAIM**

The ornamental design for an electric fryer, as shown and described.

DESCRIPTION

FIG. 1 is a front elevational view of an embodiment of an electric fryer.

FIG. 2 is a back elevational view of the electric fryer of FIG. 1.

FIG. 3 is a left side elevational view of the electric fryer of FIG. 1.

FIG. 4 is a right side elevational view of the electric fryer of FIG. 1.

FIG. 5 is a top plan view of the electric fryer of FIG. 1.

FIG. 6 is bottom plan view of the electric fryer of FIG. 1; and, FIG. 7 is a perspective view of the electric fryer of FIG. 1.

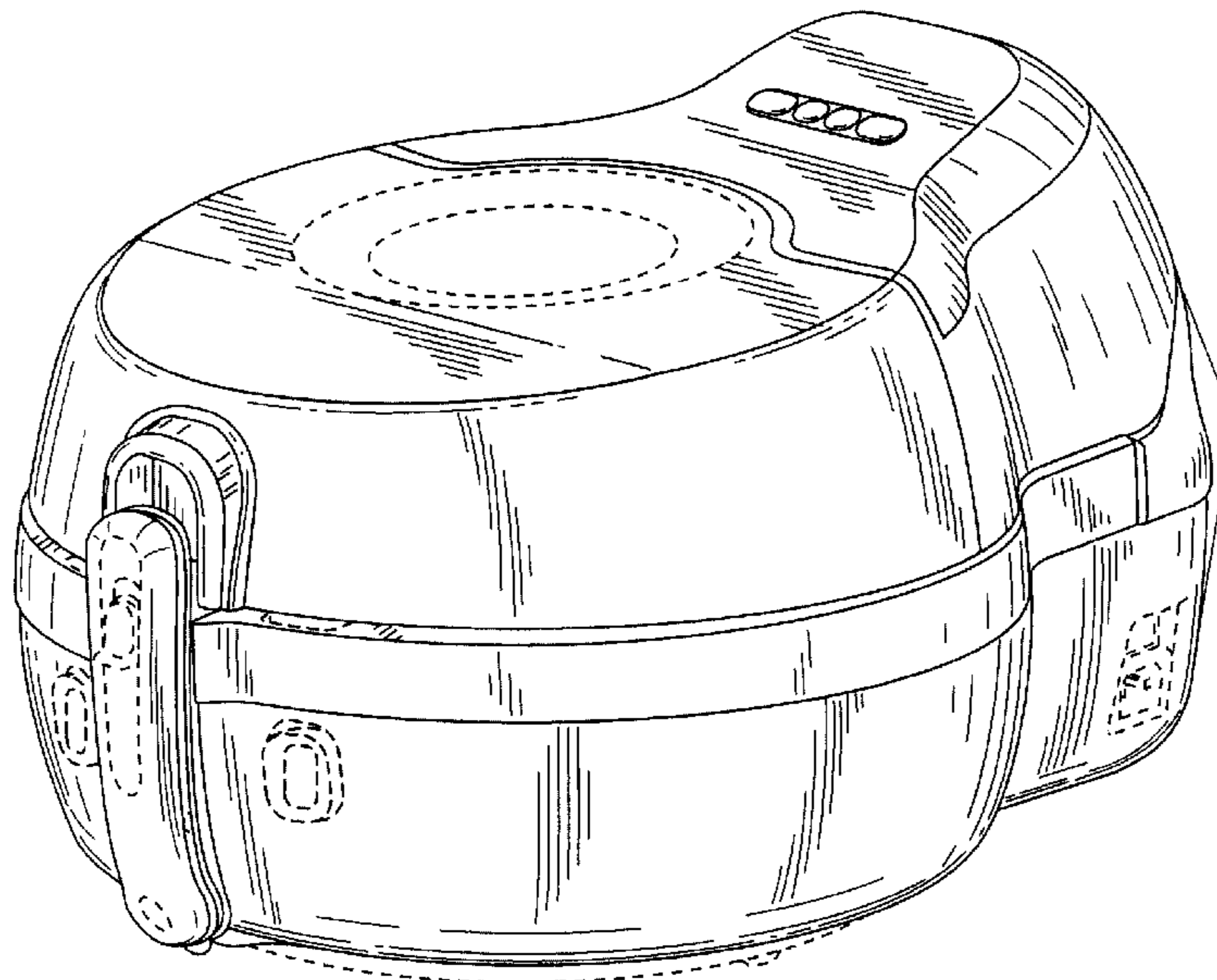
The broken lines appearing in the figures are for the purpose of illustrating the environmental structure of the article of the claimed design and form no part of the claimed design.

1 Claim, 7 Drawing Sheets

(56) **References Cited**

U.S. PATENT DOCUMENTS

D272,034 S * 1/1984 Beugnot D7/360
4,942,807 A * 7/1990 Wong 99/348
D341,056 S * 11/1993 Powell D7/354
5,469,782 A * 11/1995 Wong 99/644
D372,832 S * 8/1996 Wong D7/323
D418,361 S * 1/2000 Utsugi D7/354
D452,412 S * 12/2001 Jeong D7/354
D489,223 S * 5/2004 Jung et al. D7/358



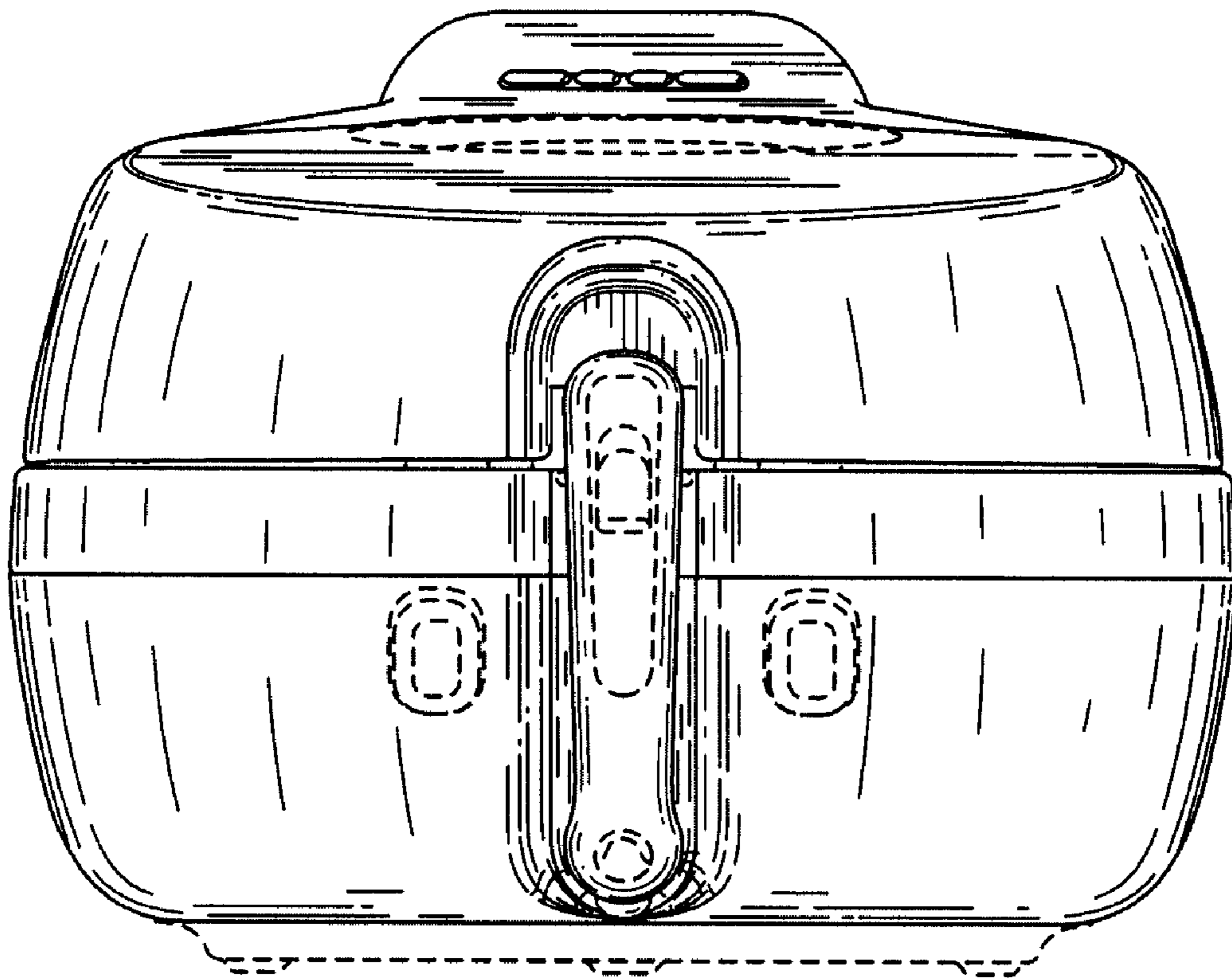


Fig. 1

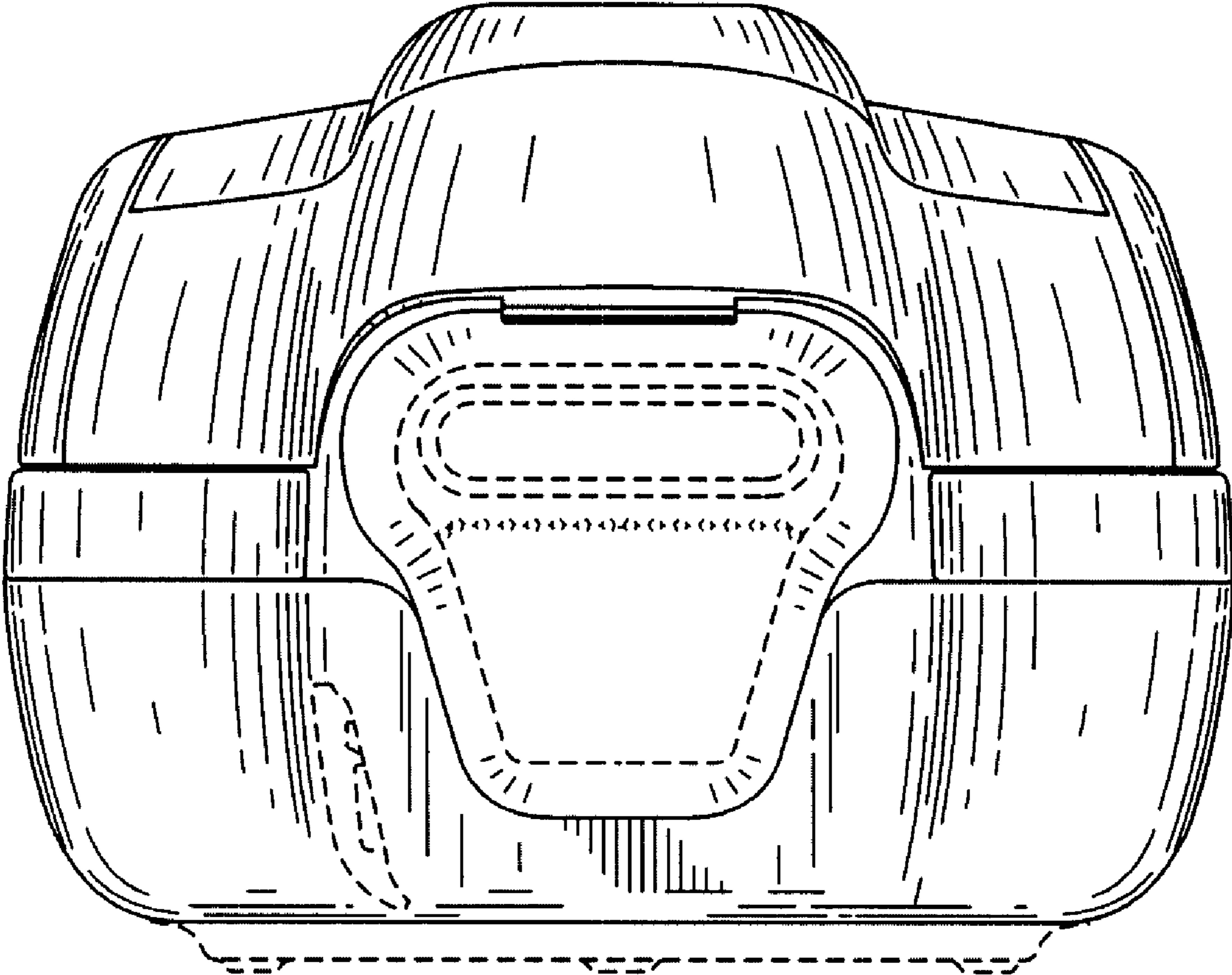


Fig. 2

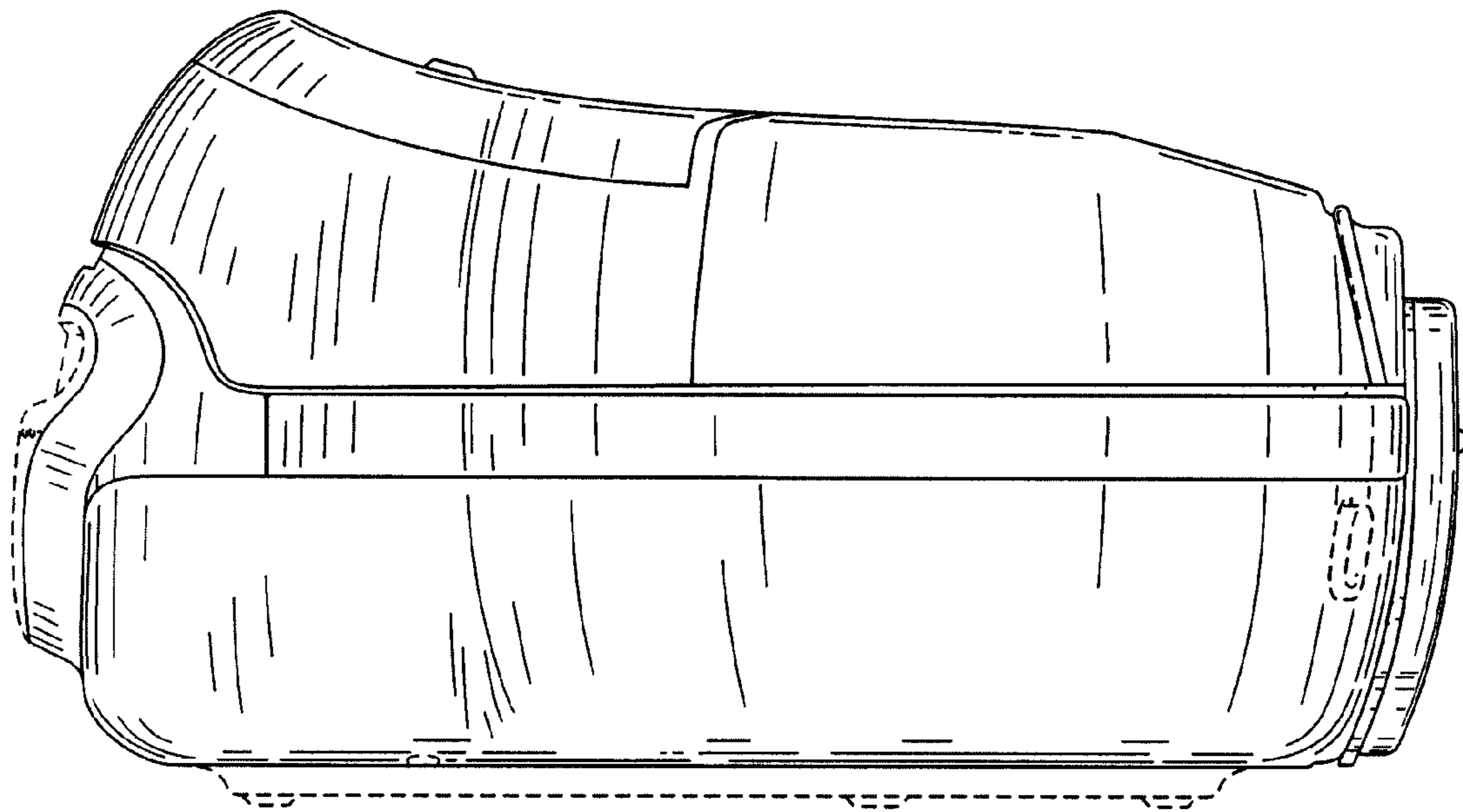


Fig. 3

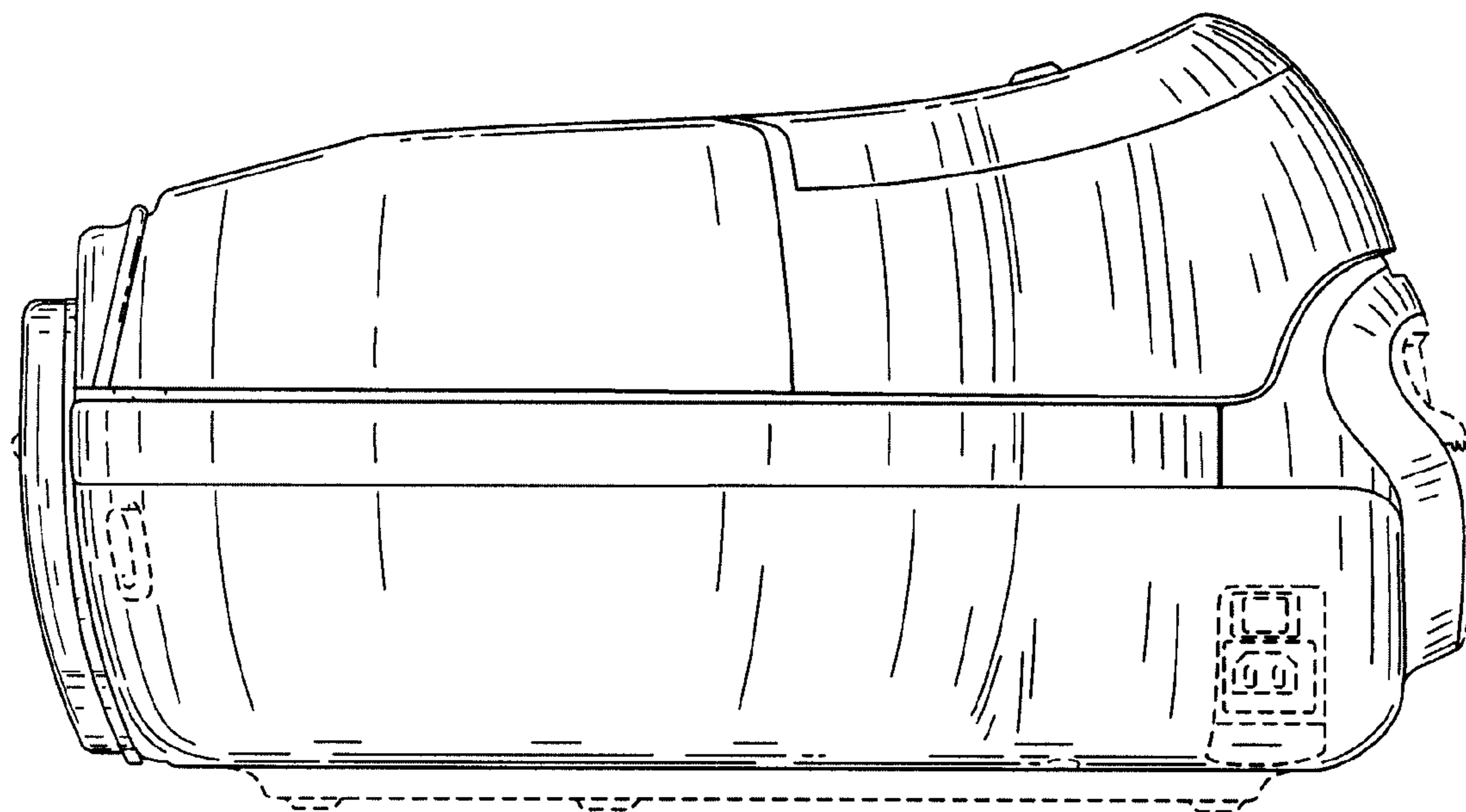


Fig. 4

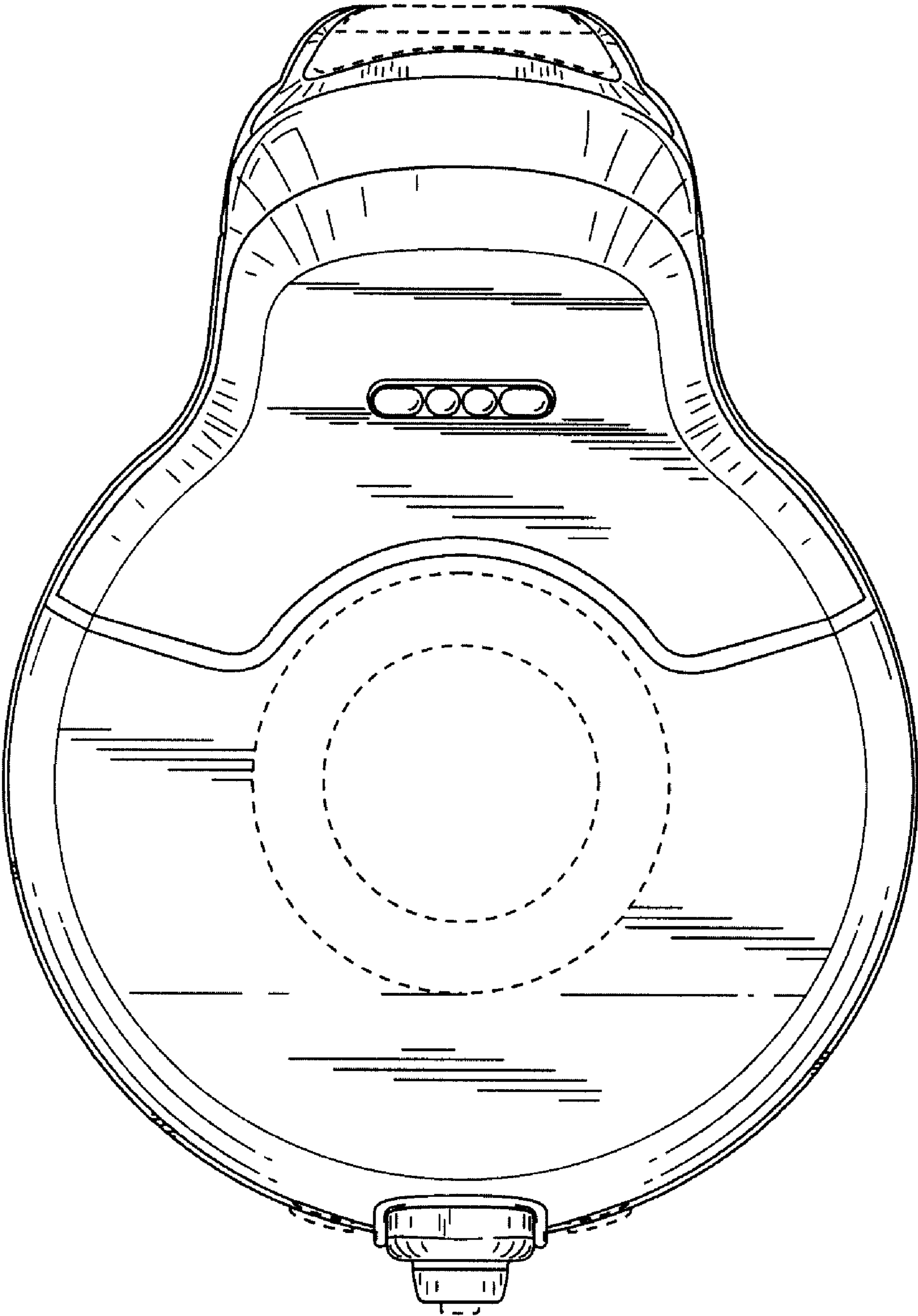


Fig. 5

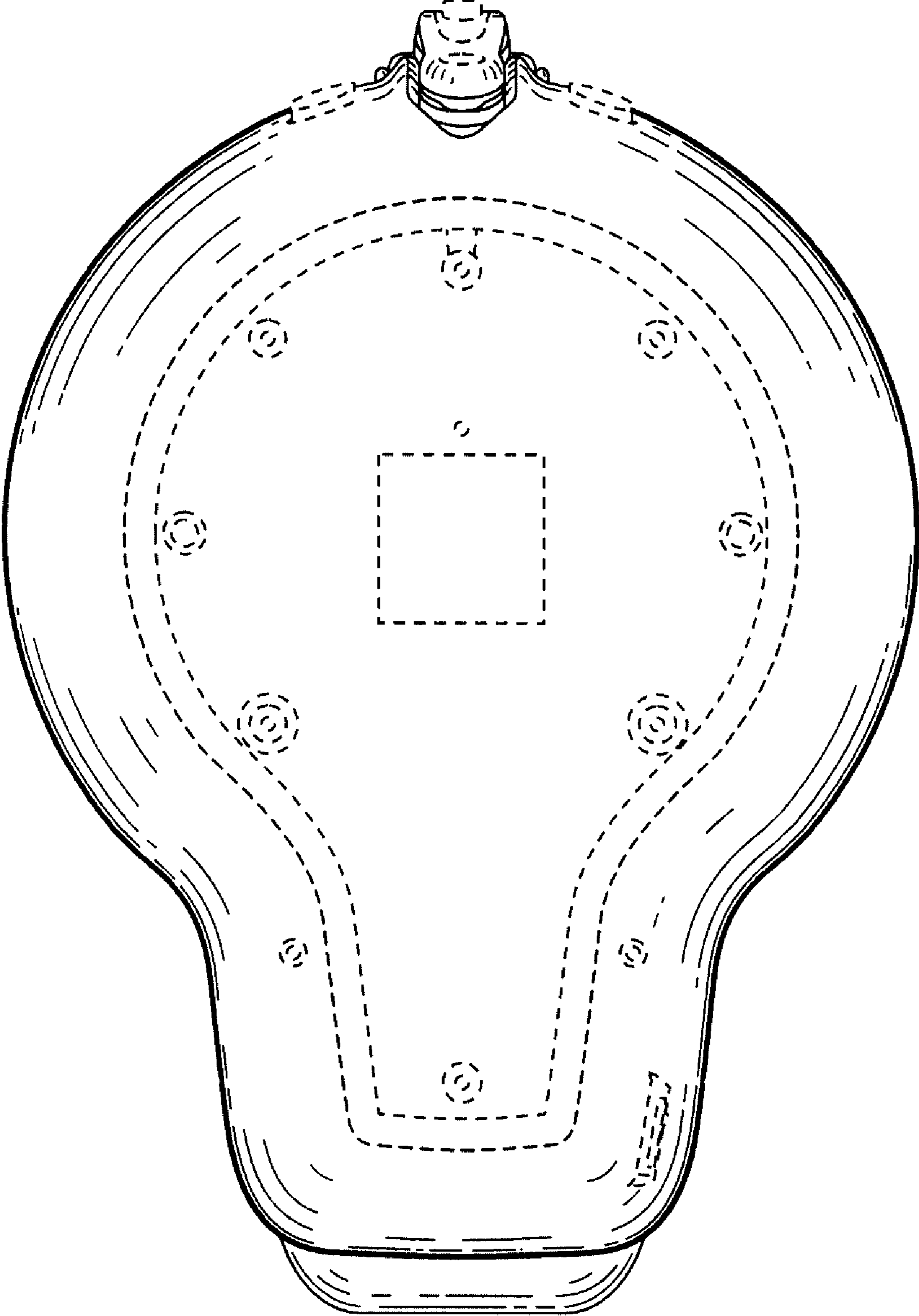


Fig. 6

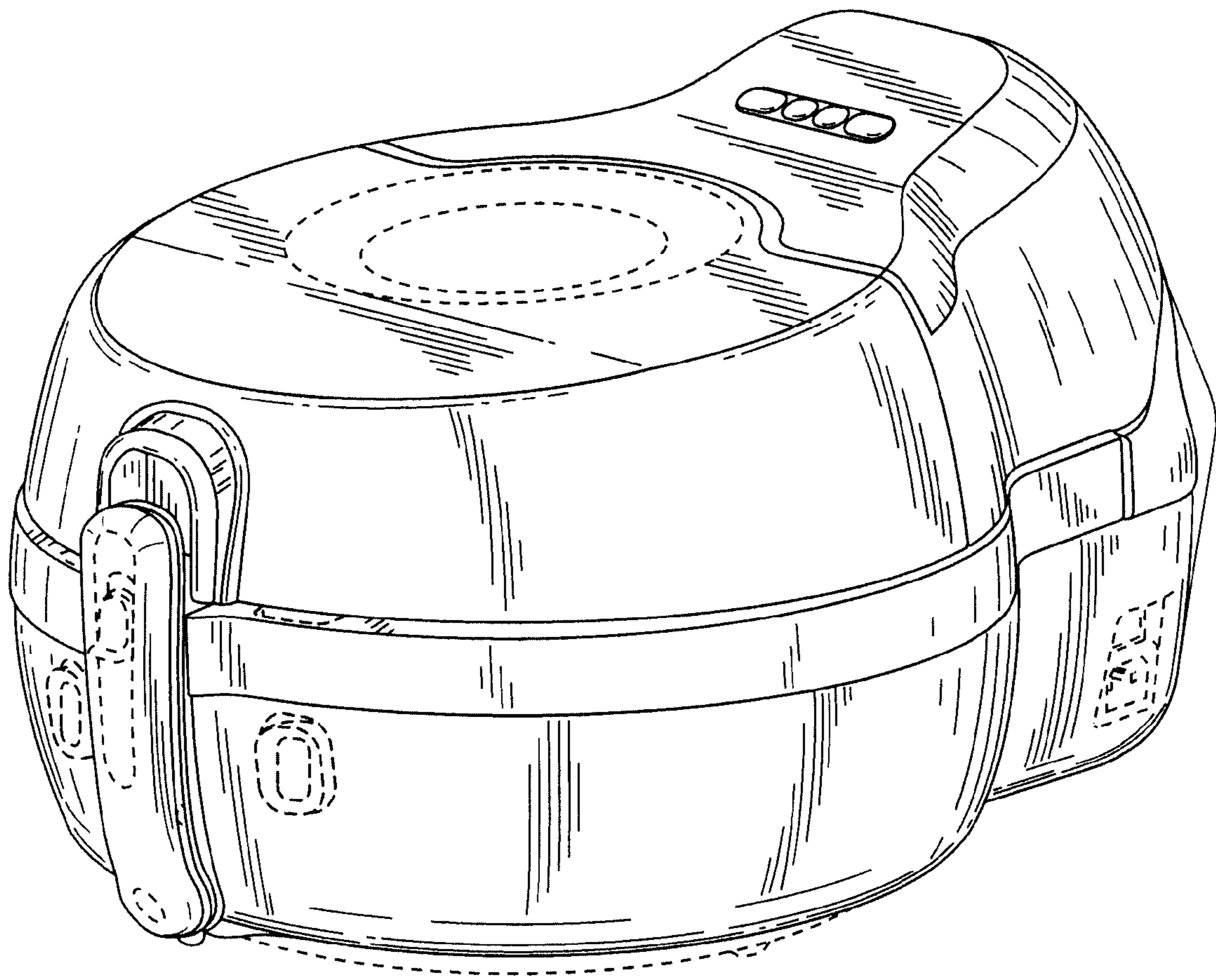


Fig. 7