



US00D655970S

(12) **United States Design Patent**  
**De' Longhi**

(10) **Patent No.:** **US D655,970 S**

(45) **Date of Patent:** **\*\* Mar. 20, 2012**

(54) **MICROWAVE OVEN**

(75) **Inventor:** **Giuseppe De' Longhi**, Treviso (IT)

(73) **Assignee:** **De' Longhi Appliances SRL Con Unico Socio**, Treviso (IT)

(\*\*) **Term:** **14 Years**

(21) **Appl. No.:** **29/381,857**

(22) **Filed:** **Dec. 23, 2010**

(30) **Foreign Application Priority Data**

Jun. 24, 2010 (EM) ..... 1221592-0022

(51) **LOC (9) Cl.** ..... **07-02**

(52) **U.S. Cl.** ..... **D7/351**

(58) **Field of Classification Search** .... D7/350.1-350.4,  
D7/351, 402; 219/756-758, 391, 393, 395,  
219/401; 126/19 M, 275 E; 99/348, 353,  
99/367, 468

See application file for complete search history.

(56) **References Cited**

**U.S. PATENT DOCUMENTS**

D207,286 S	3/1967	Bruder
D218,206 S	7/1970	Barnabas
D225,579 S	12/1972	Suganoya et al.
D228,056 S	8/1973	Koshiro et al.
D228,313 S	9/1973	Suganoya et al.
D228,724 S	10/1973	Suganoya et al.
D234,450 S	3/1975	Suganoya et al.
D234,667 S	4/1975	Linder
D249,449 S	9/1978	Pink et al.
4,399,352 A	8/1983	Ueda
D275,546 S	9/1984	Tanaka et al.
D276,122 S	10/1984	Tanaka et al.
D305,597 S	1/1990	Yoo

D329,353 S	9/1992	Yamada	
D330,144 S	10/1992	Takebata et al.	
D380,643 S	7/1997	Piret	
D489,934 S	5/2004	Sagawa et al.	
D540,106 S	4/2007	Jeon	
D540,613 S	4/2007	Jeon	
D587,959 S *	3/2009	Hensel	D7/350.1
D614,905 S *	5/2010	Fiorotto	D7/350.1
D614,906 S *	5/2010	Fiorotto	D7/350.1
D625,557 S *	10/2010	Pino et al.	D7/405
D634,966 S *	3/2011	De' Longhi	D7/350.1
D638,249 S *	5/2011	Ryan et al.	D7/350.1

**OTHER PUBLICATIONS**

- Co-pending U.S. Appl. No. 29/381,853, filed Dec. 23, 2010.
- Co-pending U.S. Appl. No. 29/381,859, filed Dec. 23, 2010.
- Co-pending U.S. Appl. No. 29/381,862, filed Dec. 23, 2010.
- Co-pending U.S. Appl. No. 29/381,854, filed Dec. 23, 2010.

\* cited by examiner

*Primary Examiner* — Ruth McInroy

(74) *Attorney, Agent, or Firm* — Hamre, Schumann, Mueller & Larson, P.C.

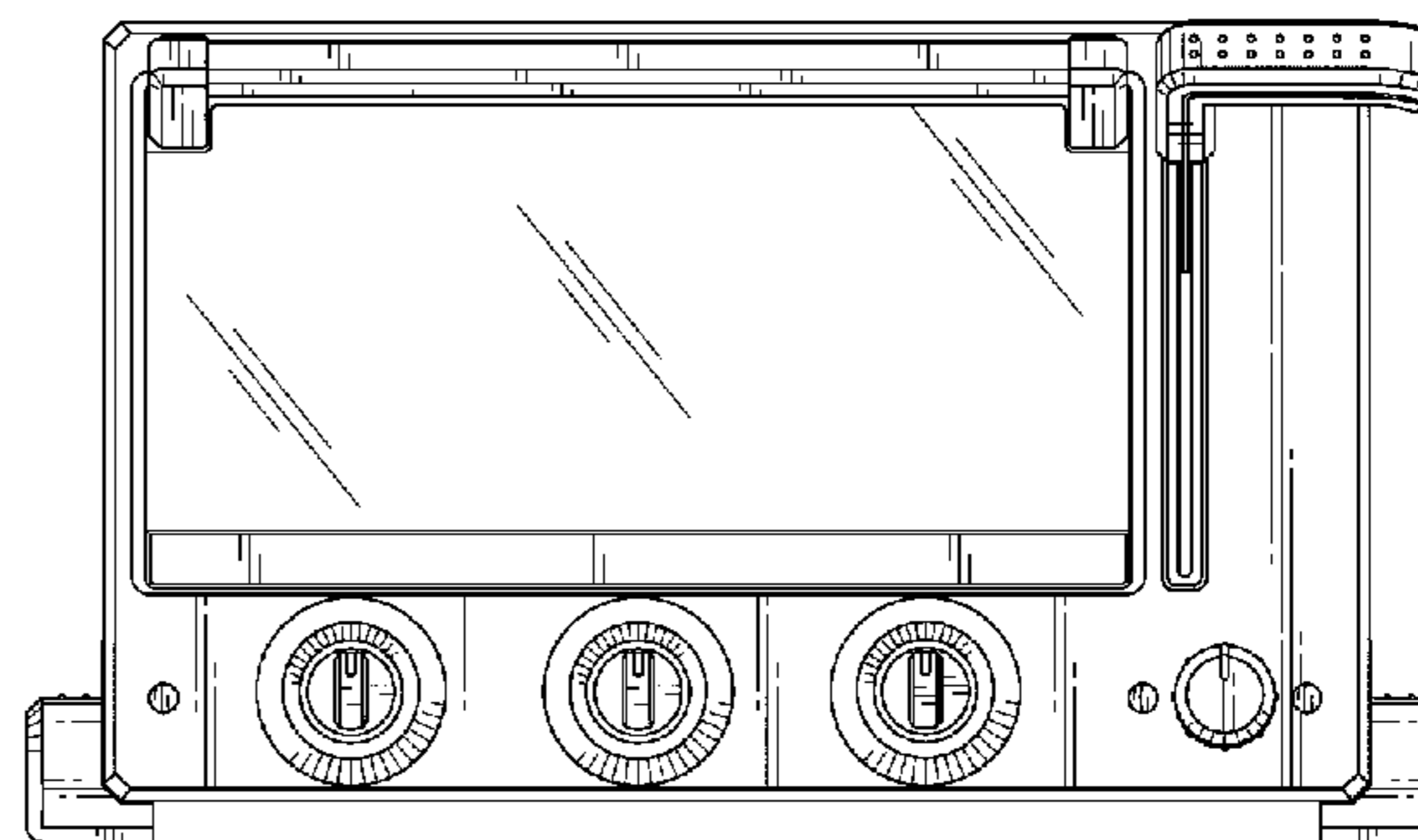
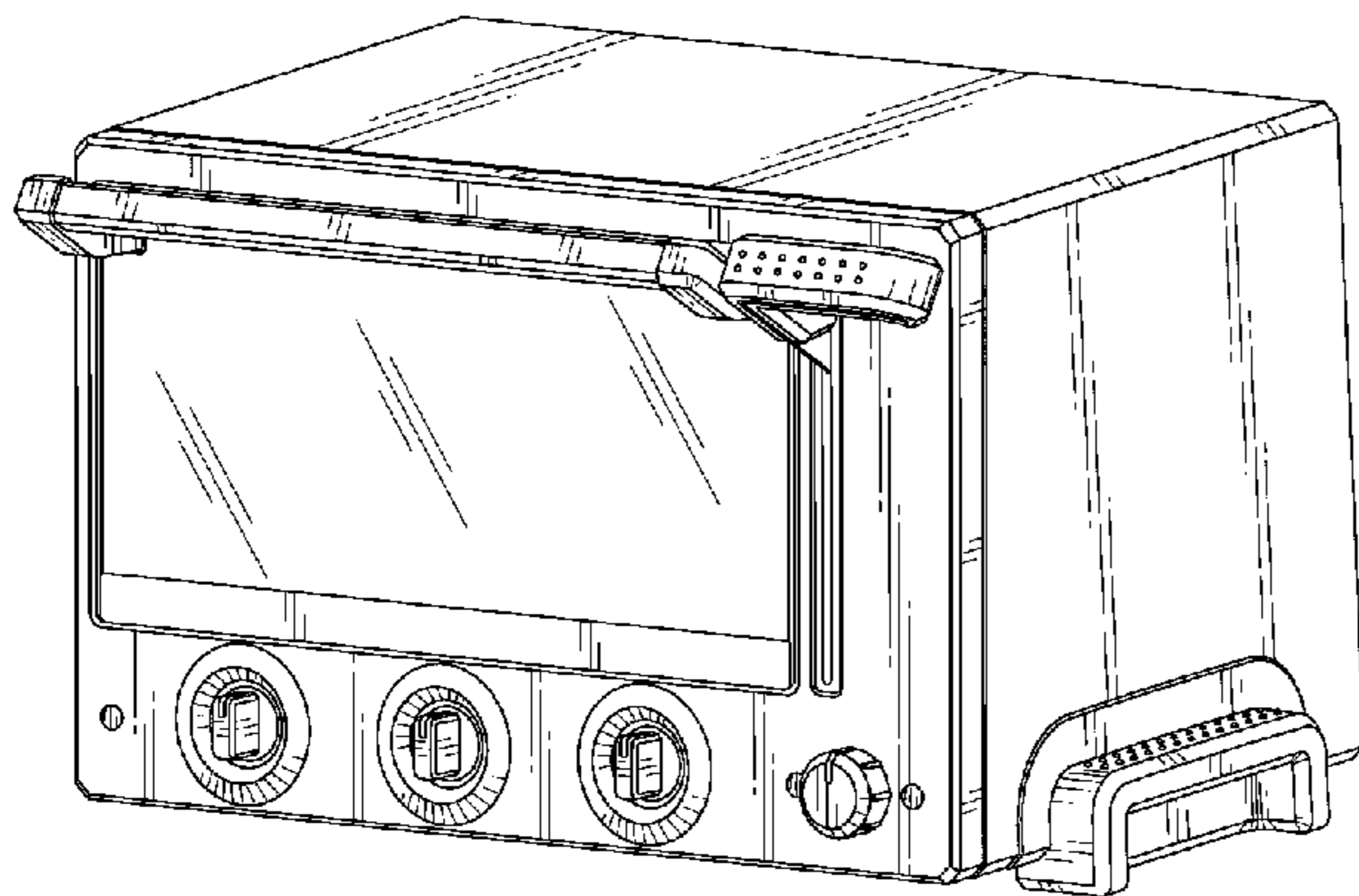
(57) **CLAIM**

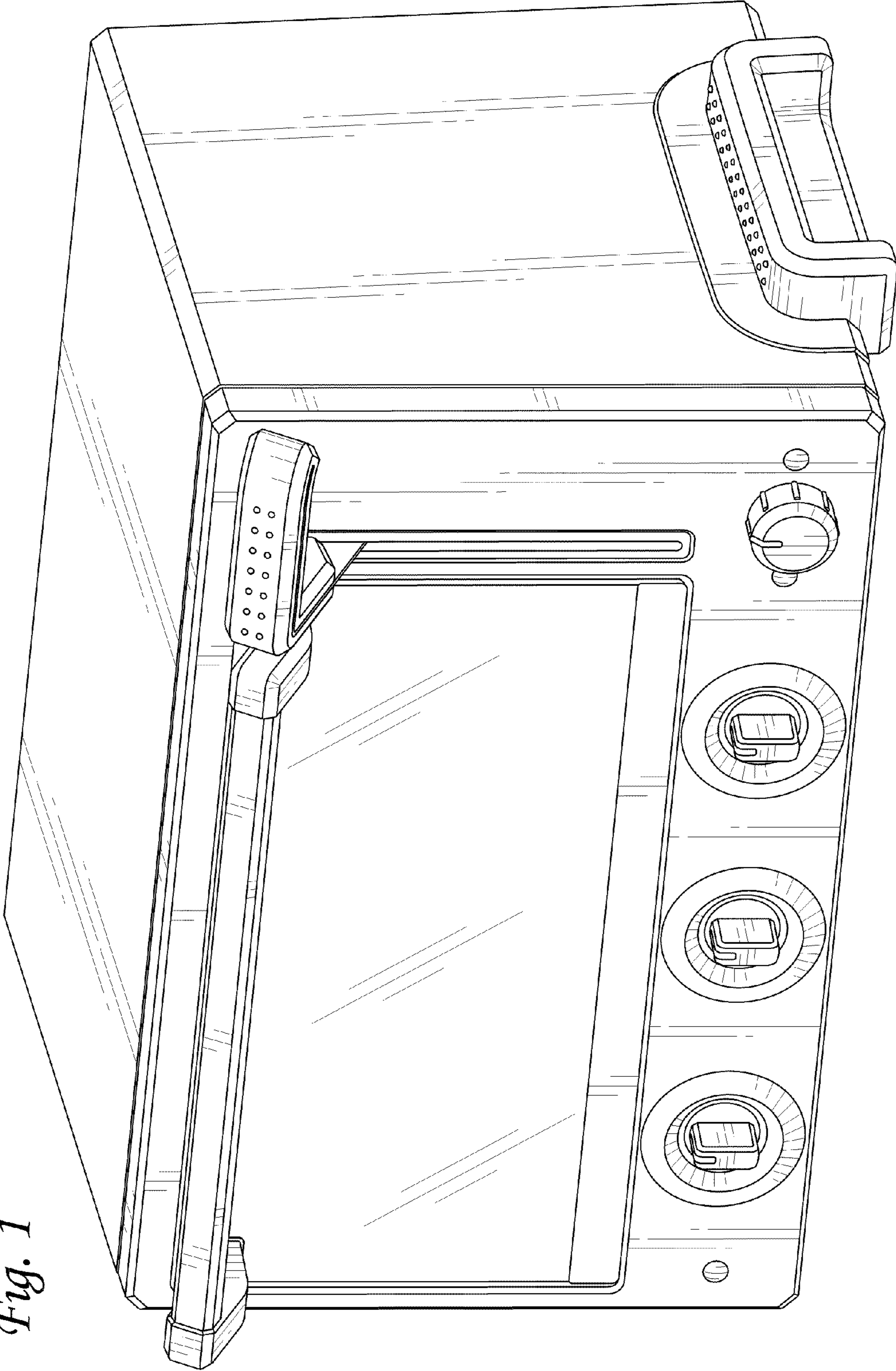
The ornamental design for a microwave oven, as shown and described.

**DESCRIPTION**

FIG. 1 is a front right perspective view of a microwave oven showing my new design;  
 FIG. 2 is a front view thereof,  
 FIG. 3 is a back view thereof;  
 FIG. 4 is a left side view thereof;  
 FIG. 5 is a right side view thereof;  
 FIG. 6 is a top view thereof; and,  
 FIG. 7 is a bottom view thereof.

**1 Claim, 7 Drawing Sheets**





*Fig. 1*

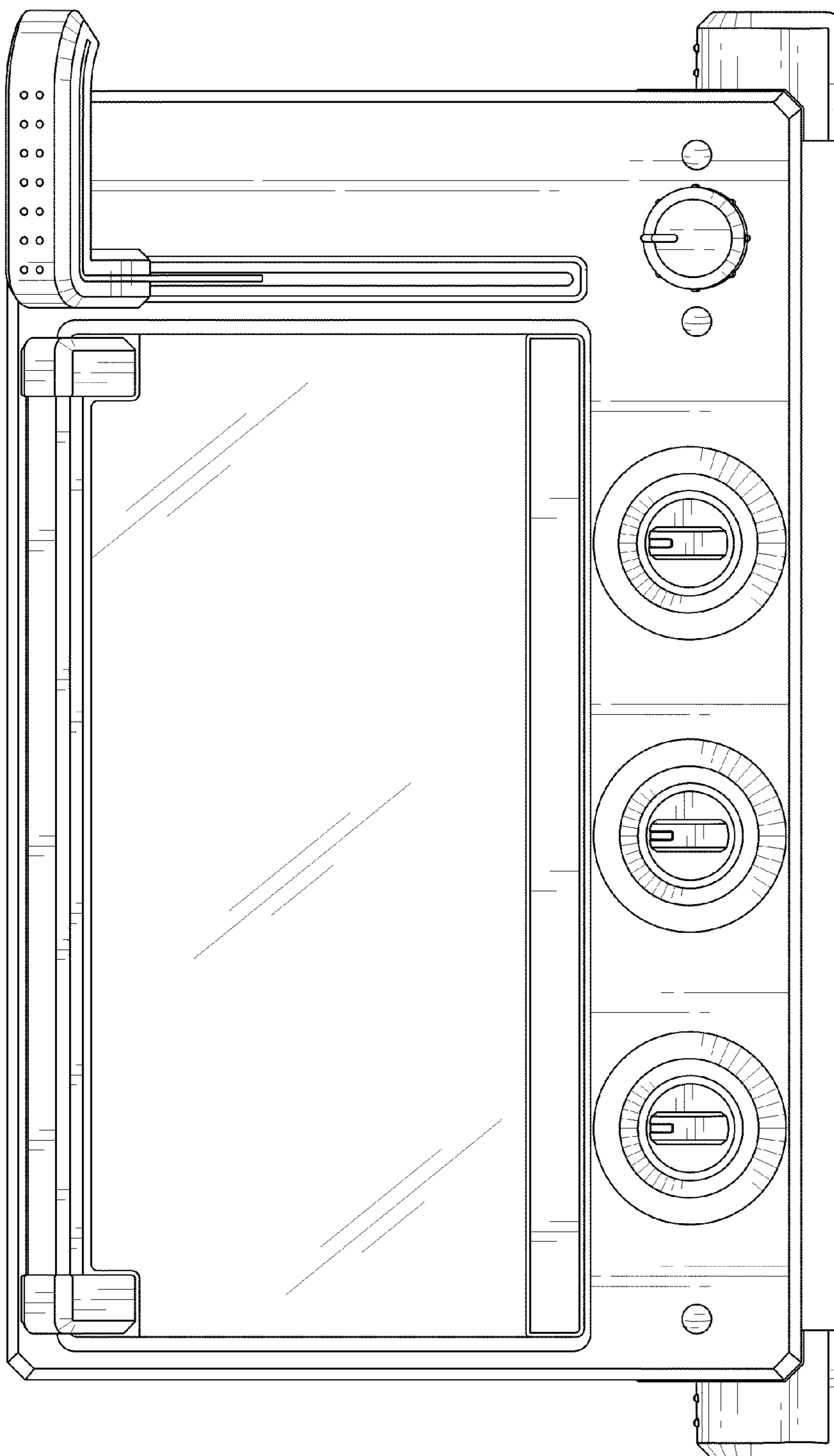
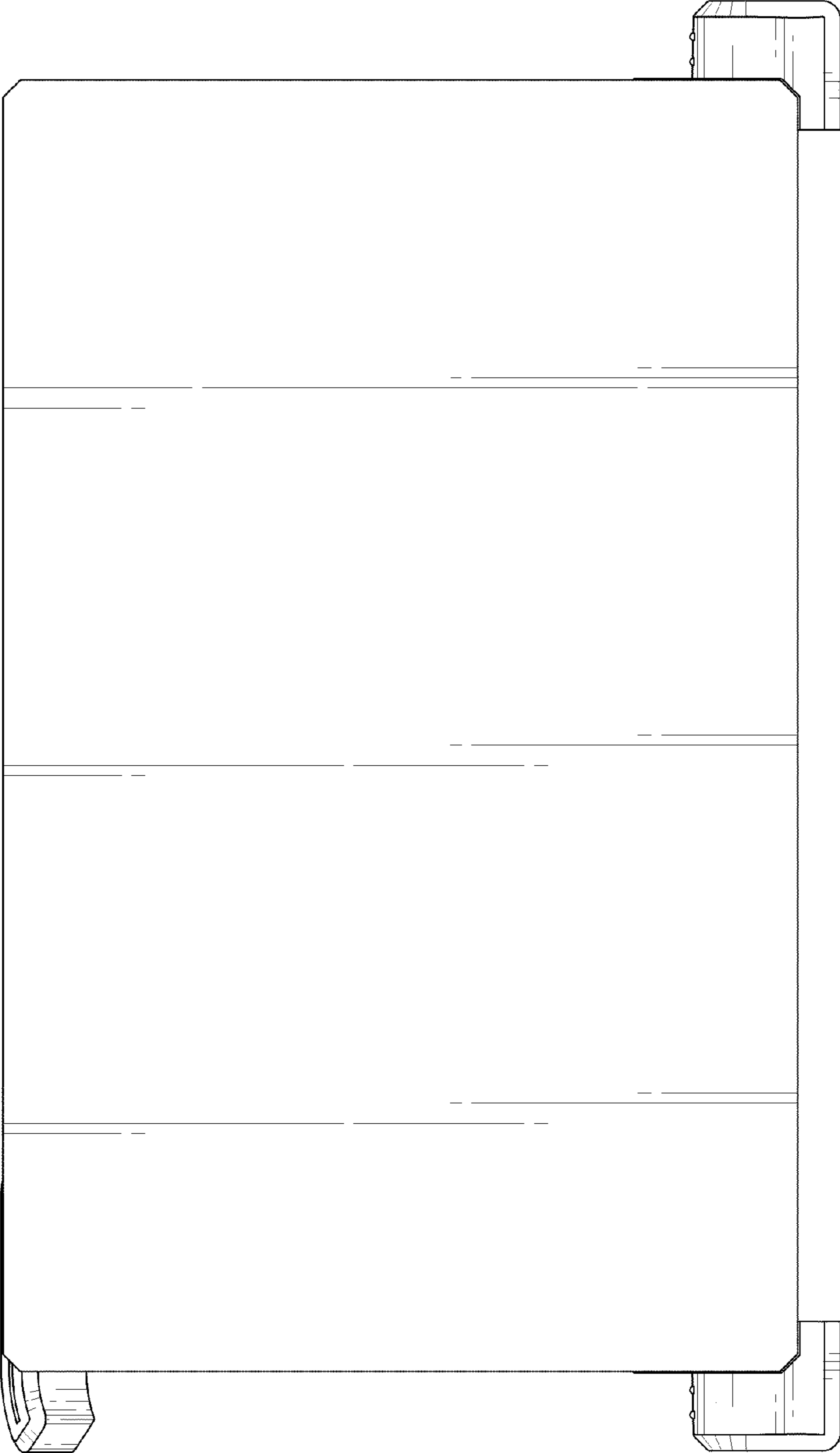
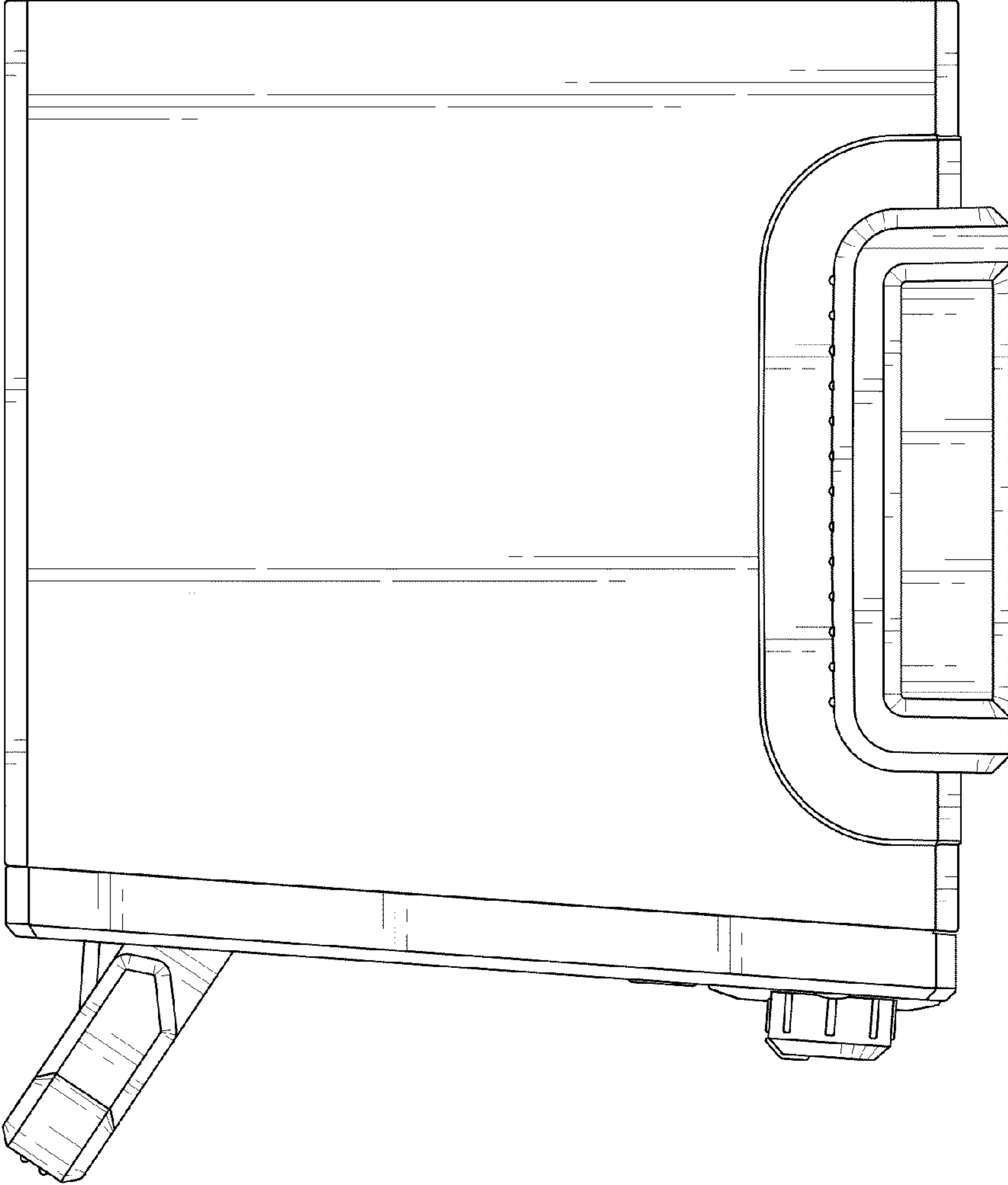


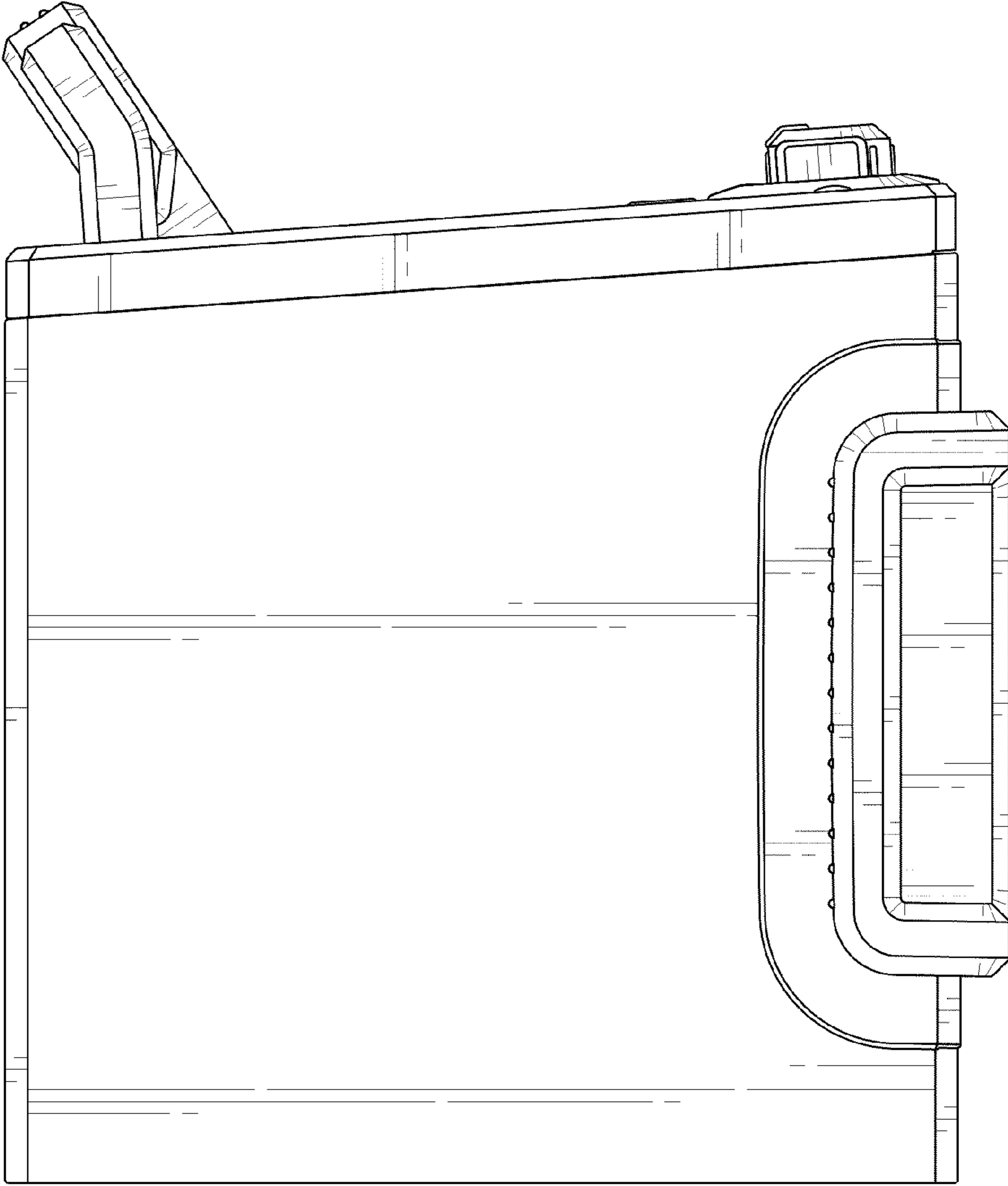
Fig. 2



*Fig. 3*



*Fig. 4*



*Fig. 5*

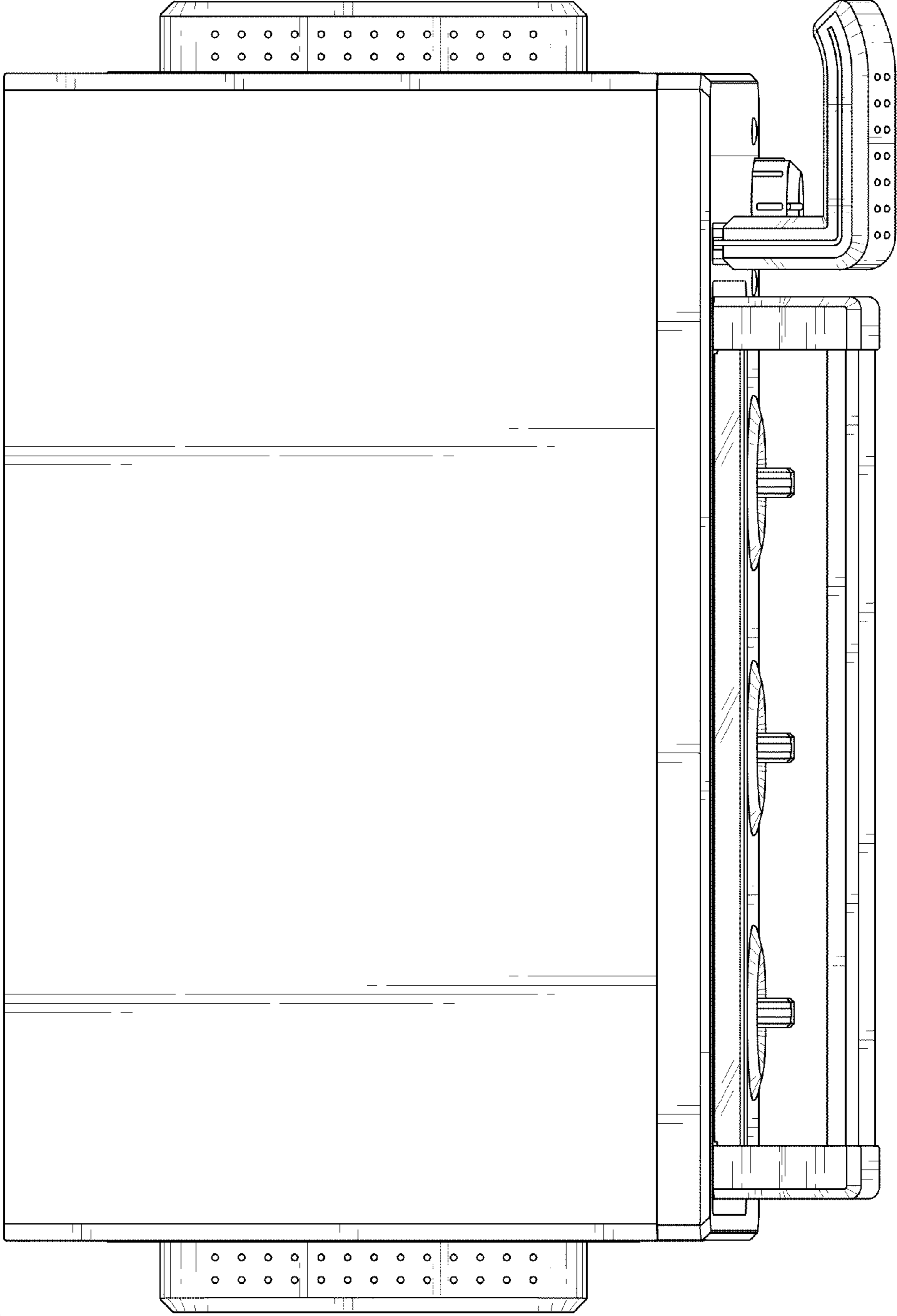


Fig. 6

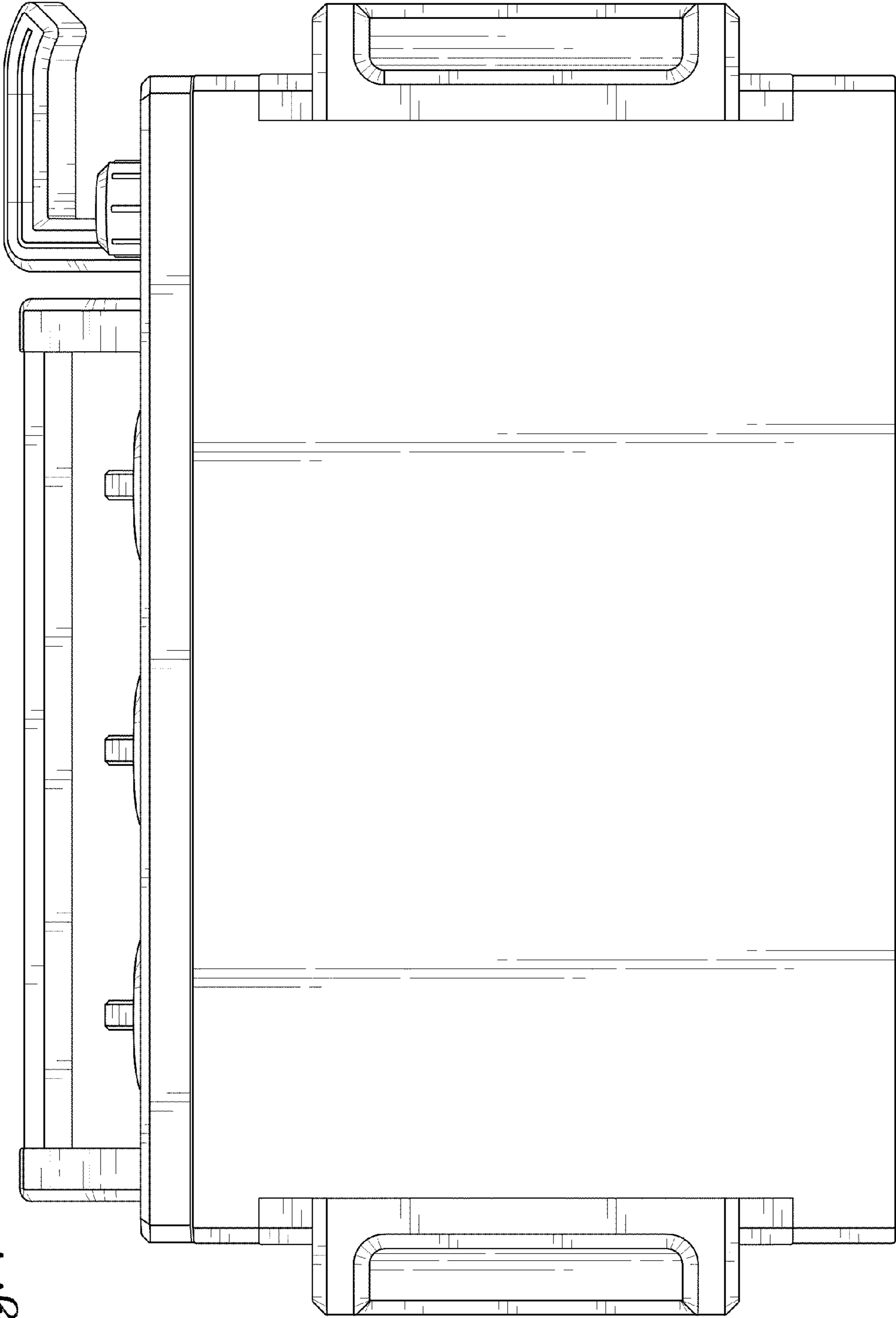


Fig. 7