



US00D655967S

(12) **United States Design Patent**
Bodum

(10) **Patent No.:** **US D655,967 S**
(45) **Date of Patent:** **** Mar. 20, 2012**

(54) **BEVERAGE MAKER**

(75) Inventor: **Jørgen Bodum**, Meggen (CH)

(73) Assignee: **PI-Design AG**, Triengen (CH)

(**) Term: **14 Years**

(21) Appl. No.: **29/376,395**

(22) Filed: **Oct. 6, 2010**

(30) **Foreign Application Priority Data**

Apr. 8, 2010 (WO) DM/073 495

(51) **LOC (9) Cl.** **07-01**

(52) **U.S. Cl.** **D7/300.1; D7/507; D7/510; D7/412; D7/376; D7/317**

(58) **Field of Classification Search** D7/510, D7/511, 509.523, 534, 531, 300.1, 900, 396.2, D7/608, 507, 317, 305, 412, 413, 376, 316; 220/705, 710; 215/388, 11.1, 11.6, 384; D24/197; 222/129; D10/46.2

See application file for complete search history.

(56) **References Cited**

U.S. PATENT DOCUMENTS

1,174,828	A *	3/1916	Copeland	366/256
2,162,348	A	10/1938	Hacmac		
2,266,186	A *	12/1941	Fischer	366/183.1
2,749,098	A *	6/1956	Johnson	366/243
5,407,270	A *	4/1995	Barile et al.	366/247
5,456,380	A *	10/1995	Ito et al.	220/713
D365,246	S *	12/1995	Staffin et al.	D7/376
D371,930	S *	7/1996	Huang	D7/300.1
5,695,282	A *	12/1997	Hess	366/256
5,780,087	A *	7/1998	Brady	426/474
6,200,015	B1 *	3/2001	Gartz et al.	366/256
D441,247	S *	5/2001	Beam	D7/305
6,224,253	B1 *	5/2001	Dixon	366/247
D449,762	S *	10/2001	Jacober et al.	D7/376
6,324,966	B1	12/2001	Joergensen		
D458,081	S *	6/2002	Bodum	D7/510
6,877,891	B2 *	4/2005	Hu	366/247
D510,678	S *	10/2005	Krasne et al.	D7/376

D514,883	S *	2/2006	Tardif et al.	D7/412
D559,034	S *	1/2008	Bodum	D7/376
D571,610	S	6/2008	Bodum		
D587,060	S *	2/2009	Tong Chi Chung	D7/319
D587,069	S *	2/2009	Bodum	D7/510
D606,808	S *	12/2009	Germann	D7/510
D622,546	S *	8/2010	Bodum	D7/510
D627,600	S *	11/2010	Eyal	D7/510
7,878,365	B1 *	2/2011	Meehan	220/737
D640,093	S *	6/2011	Picozza et al.	D7/413

OTHER PUBLICATIONS

International Search Report corresponding to Swiss Patent Application No. 00508/10, filed Apr. 8, 2010.

Bodum Catalog, 2010, pp. 54-56.

International Application No. PCT/CH 2010/000189, filed Aug. 3, 2010.

* cited by examiner

Primary Examiner — Marianne Pandozzi

(74) *Attorney, Agent, or Firm* — Sughrue Mion, PLLC

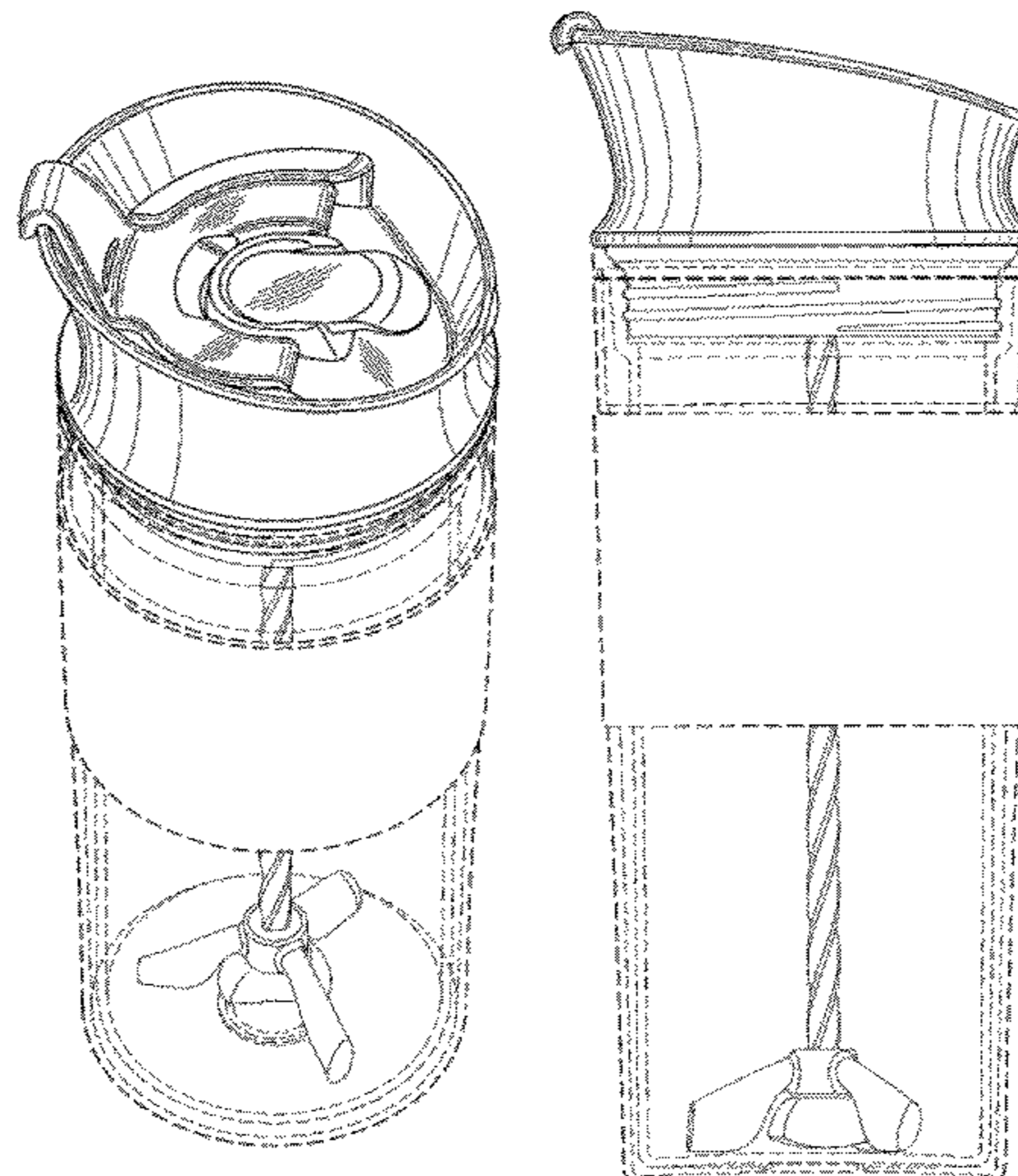
(57) **CLAIM**

The ornamental design for a beverage maker, as shown and described.

DESCRIPTION

FIG. 1 is a perspective view of the beverage maker with an upper component in a closed position; FIG. 2 is a perspective view thereof with the upper component in an open position; FIG. 3 is a right side view thereof; FIG. 4 is a left side view thereof; FIG. 5 is front view of thereof; FIG. 6 is back view thereof; FIG. 7 is a top view thereof; FIG. 8 is bottom view thereof; FIG. 9 is a perspective view thereof with a component extended; and, FIG. 10 is a cross-sectional view thereof, taken along line 10-10 of FIG. 7 and also with the component extended.

1 Claim, 10 Drawing Sheets



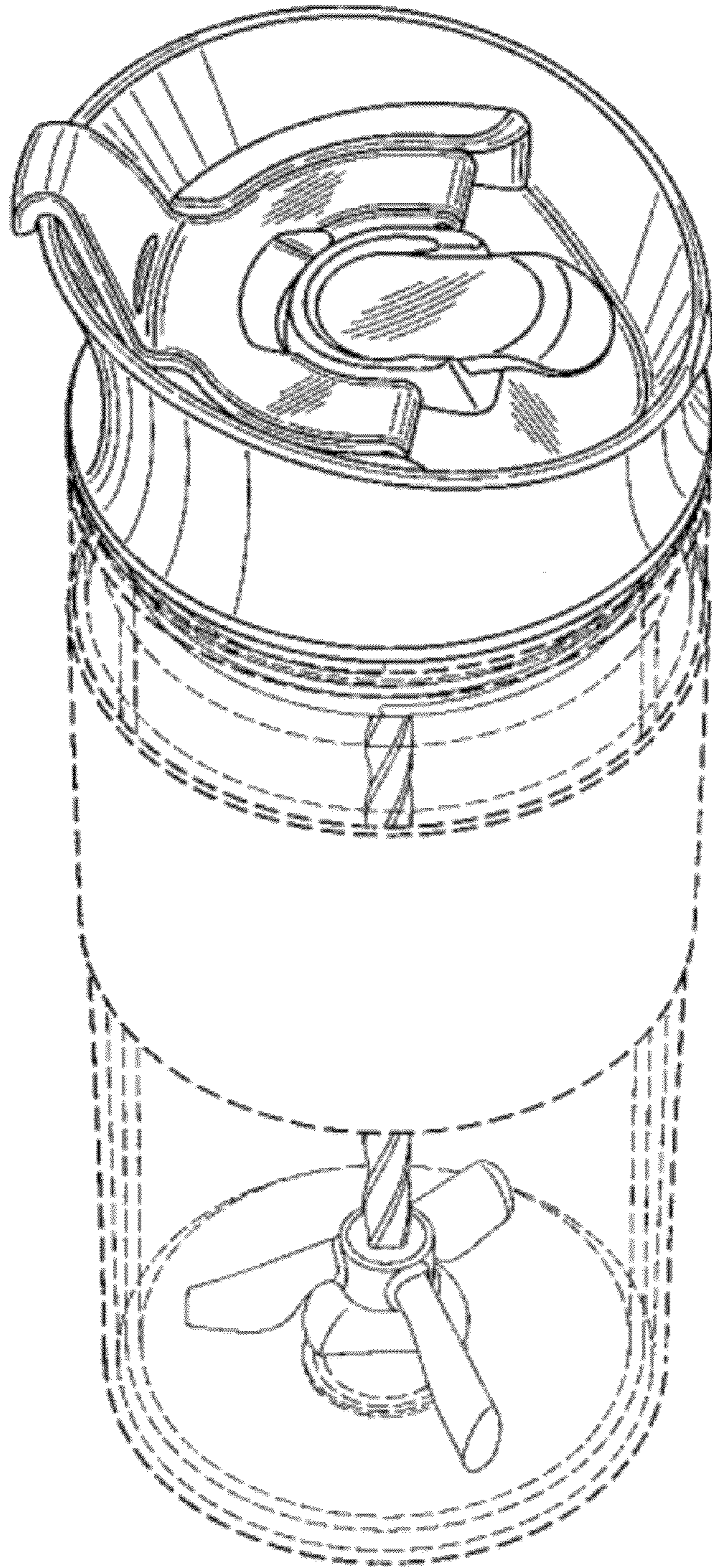


FIG. 1

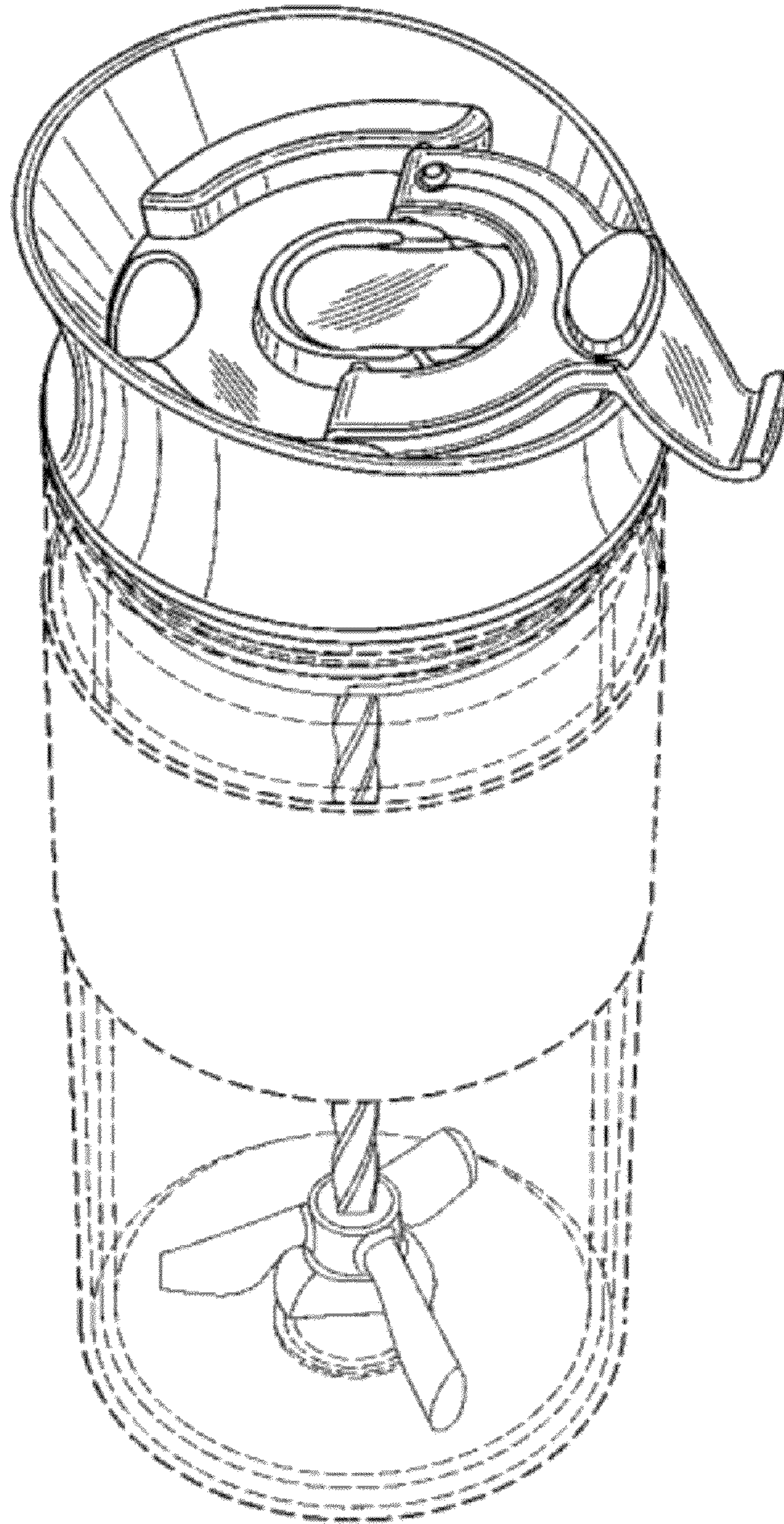


FIG. 2

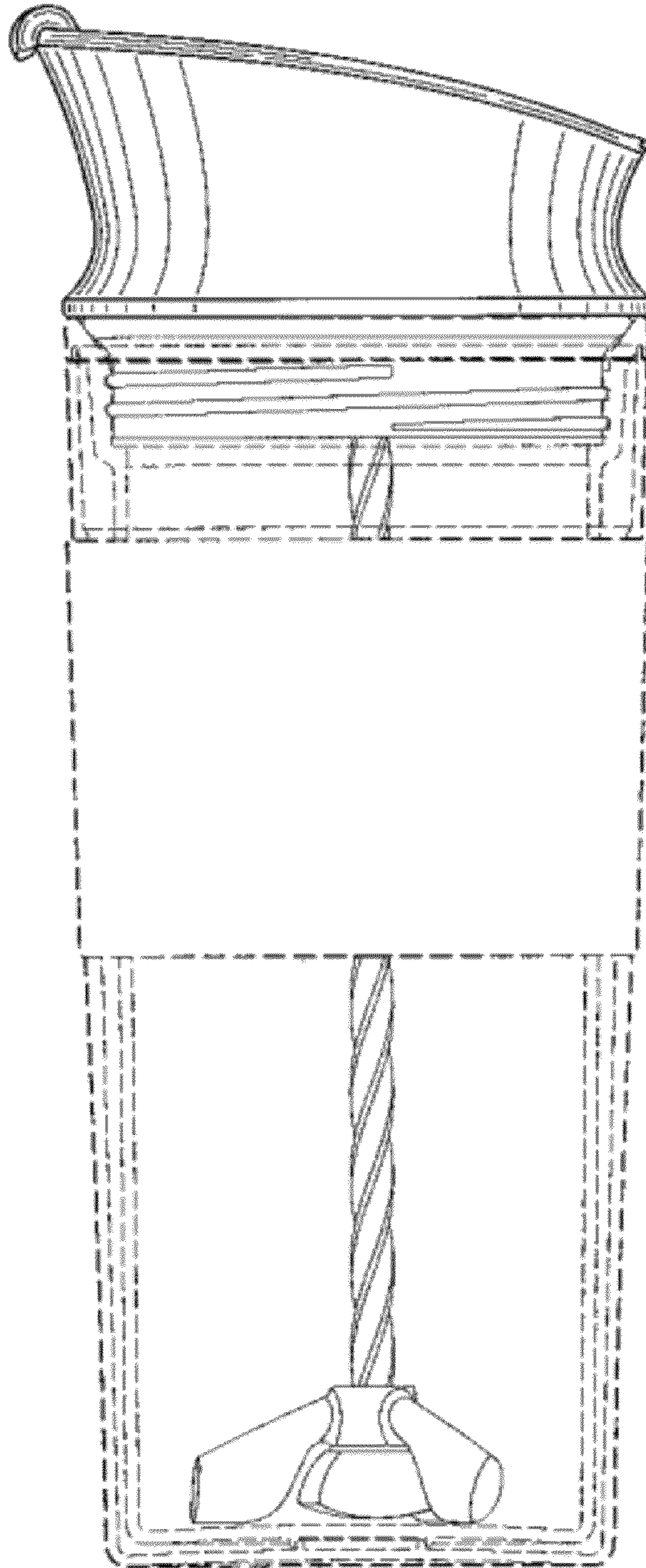


FIG. 3

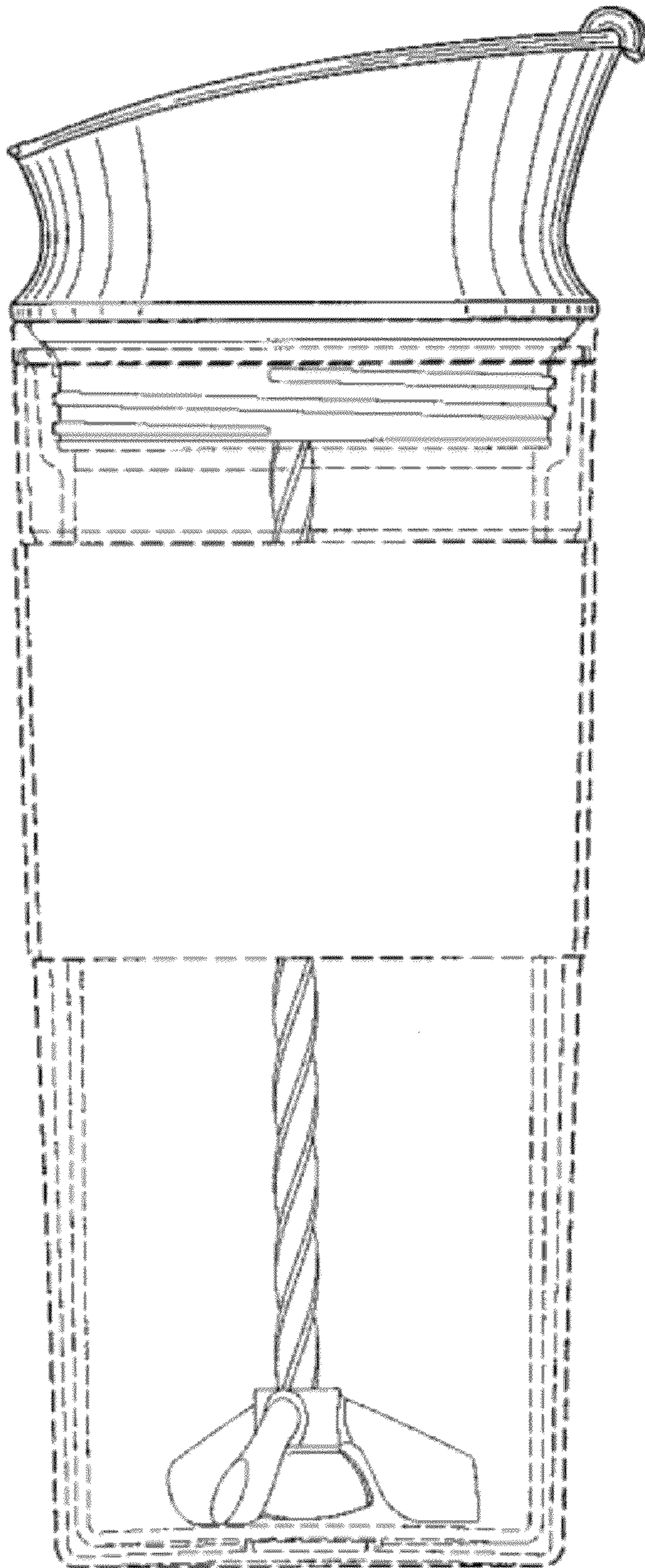


FIG. 4

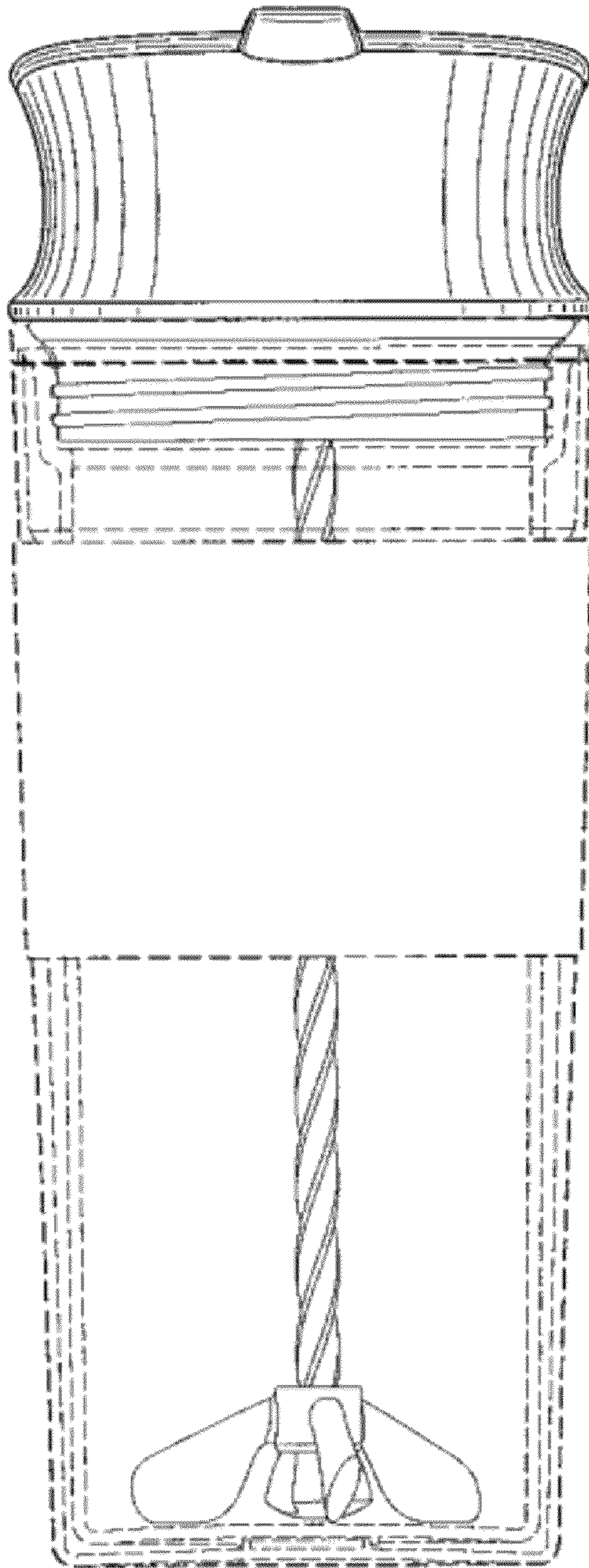


FIG. 5

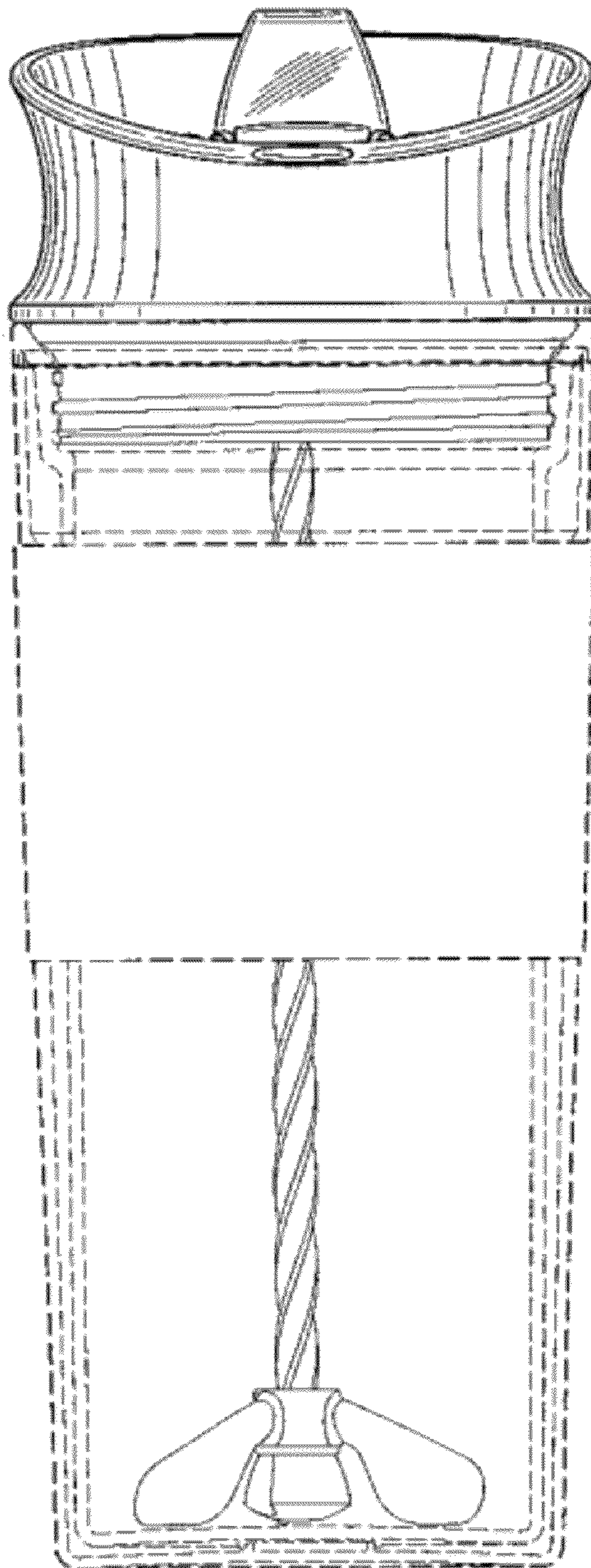


FIG. 6

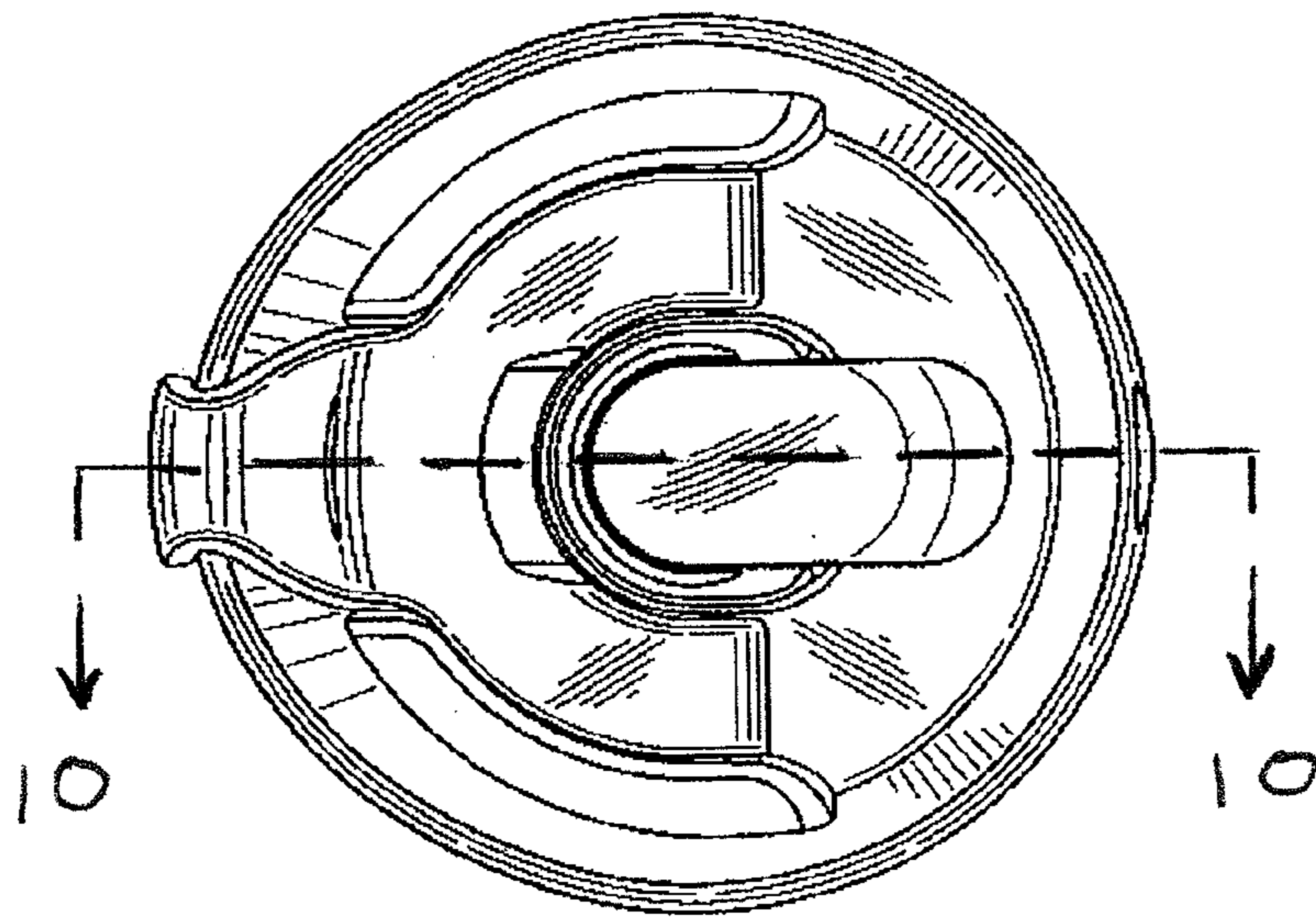


FIG. 7

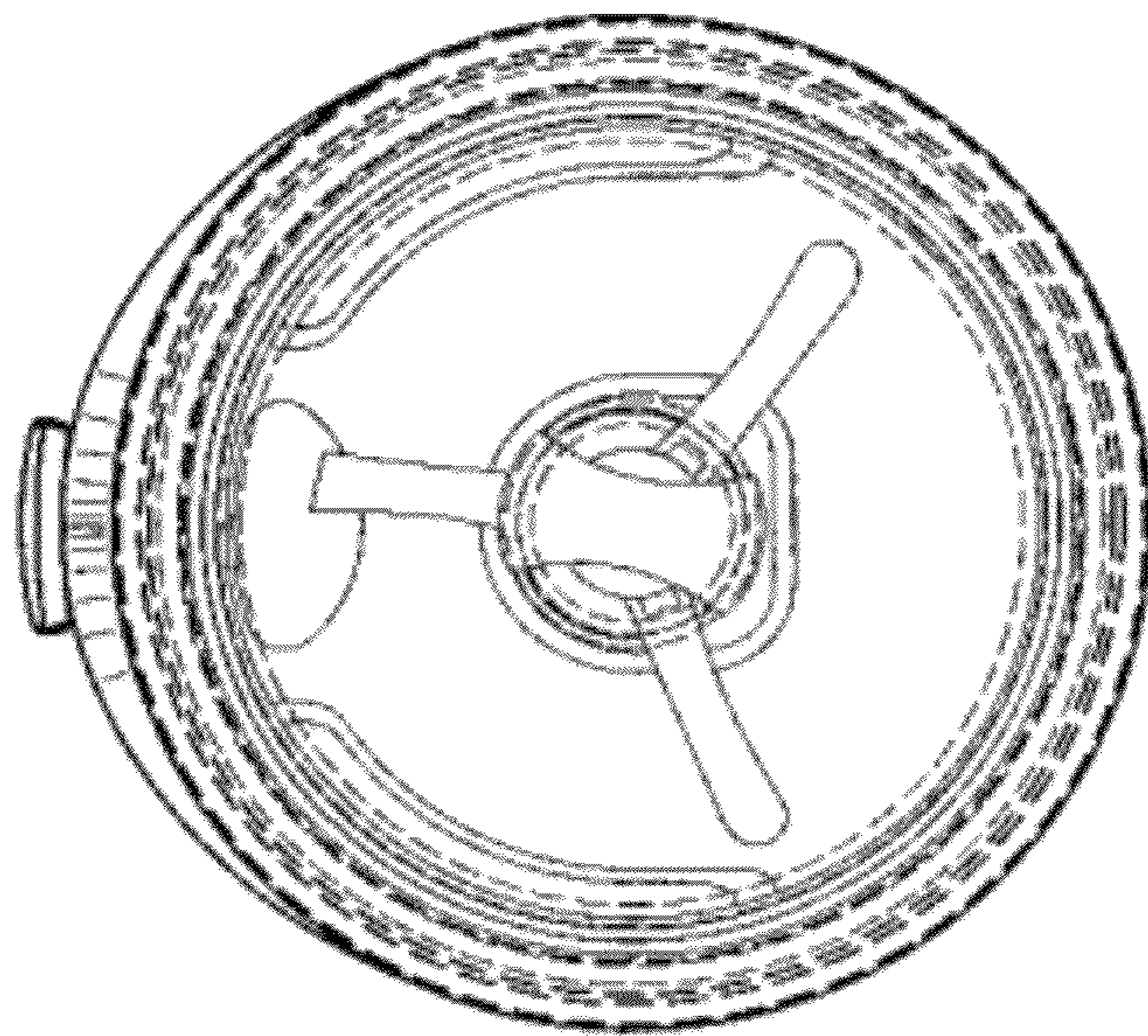


FIG. 8

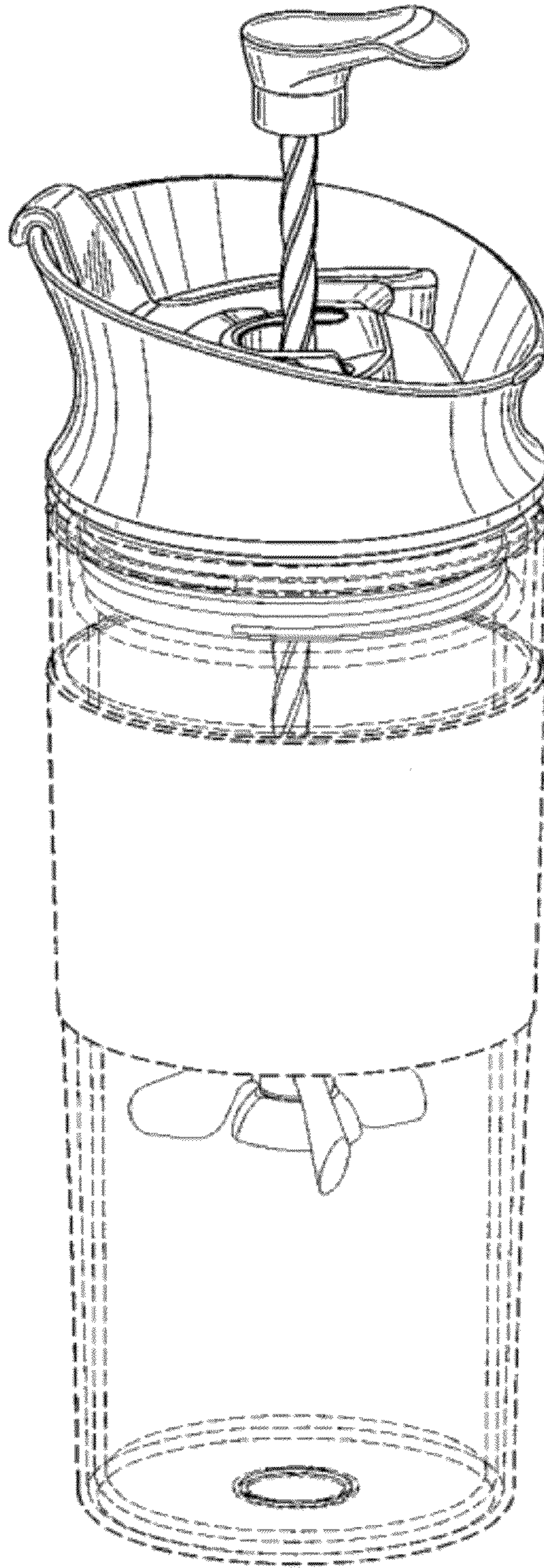


FIG. 9

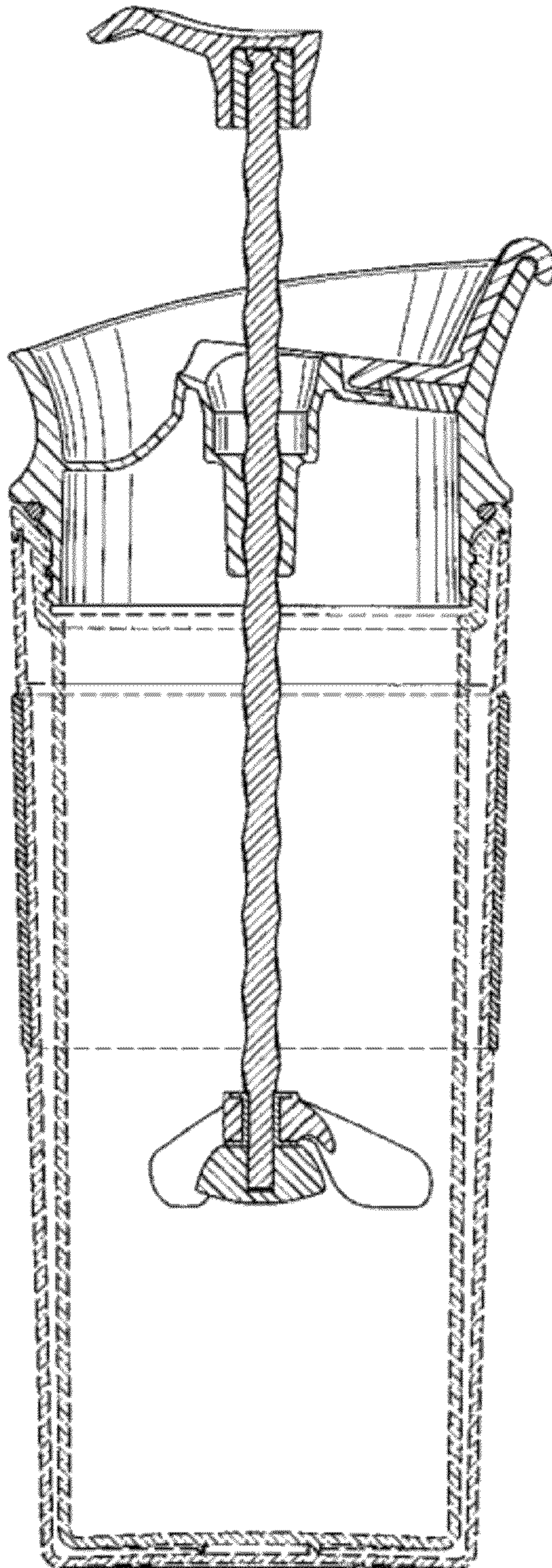


FIG. 10