



US00D655965S

(12) **United States Design Patent**
Schachte

(10) **Patent No.:** **US D655,965 S**
(45) **Date of Patent:** **** Mar. 20, 2012**

(54) **FOOT PROTECTOR FOR A MATTRESS WITH A REVEAL**

Primary Examiner — Janice Seeger
(74) *Attorney, Agent, or Firm* — Cantor Colburn LLP

(75) Inventor: **Matthew Gilbert Schachte**, Cumming, GA (US)

(57) **CLAIM**
The ornamental design for a foot protector for a mattress with a reveal, as shown and described.

(73) Assignee: **Dreamwell, Ltd.**, Las Vegas, NV (US)

(**) Term: **14 Years**

DESCRIPTION

(21) Appl. No.: **29/378,525**

FIG. 1 is a top, unattached view of a mattress foot protector with a closed flap,
FIG. 2 is a top, unattached view of a mattress foot protector with an open flap,
FIG. 3 is a perspective view of the mattress foot protector of FIG. 1,
FIG. 4 is a perspective view of the mattress foot protector of FIG. 2,
FIG. 5 is a top view of the mattress foot protector of FIG. 1,
FIG. 6 is a top view of the mattress foot protector of FIG. 2,
FIG. 7 is a left view of the mattress foot protector of FIG. 1,
FIG. 8 is a left view of the mattress foot protector of FIG. 2,
FIG. 9 is a right view of the mattress foot protector of FIG. 1; and,
FIG. 10 is a right view of the mattress foot protector of FIG. 2.
The broken lines are for environmental purposes only and form no part of the claimed design.

(22) Filed: **Nov. 5, 2010**

(51) **LOC (9) Cl.** **06-06**

(52) **U.S. Cl.** **D6/606**

(58) **Field of Classification Search** D6/602,
D6/603, 606, 595, 596; 5/496, 499, 482,
5/907, 485, 486

See application file for complete search history.

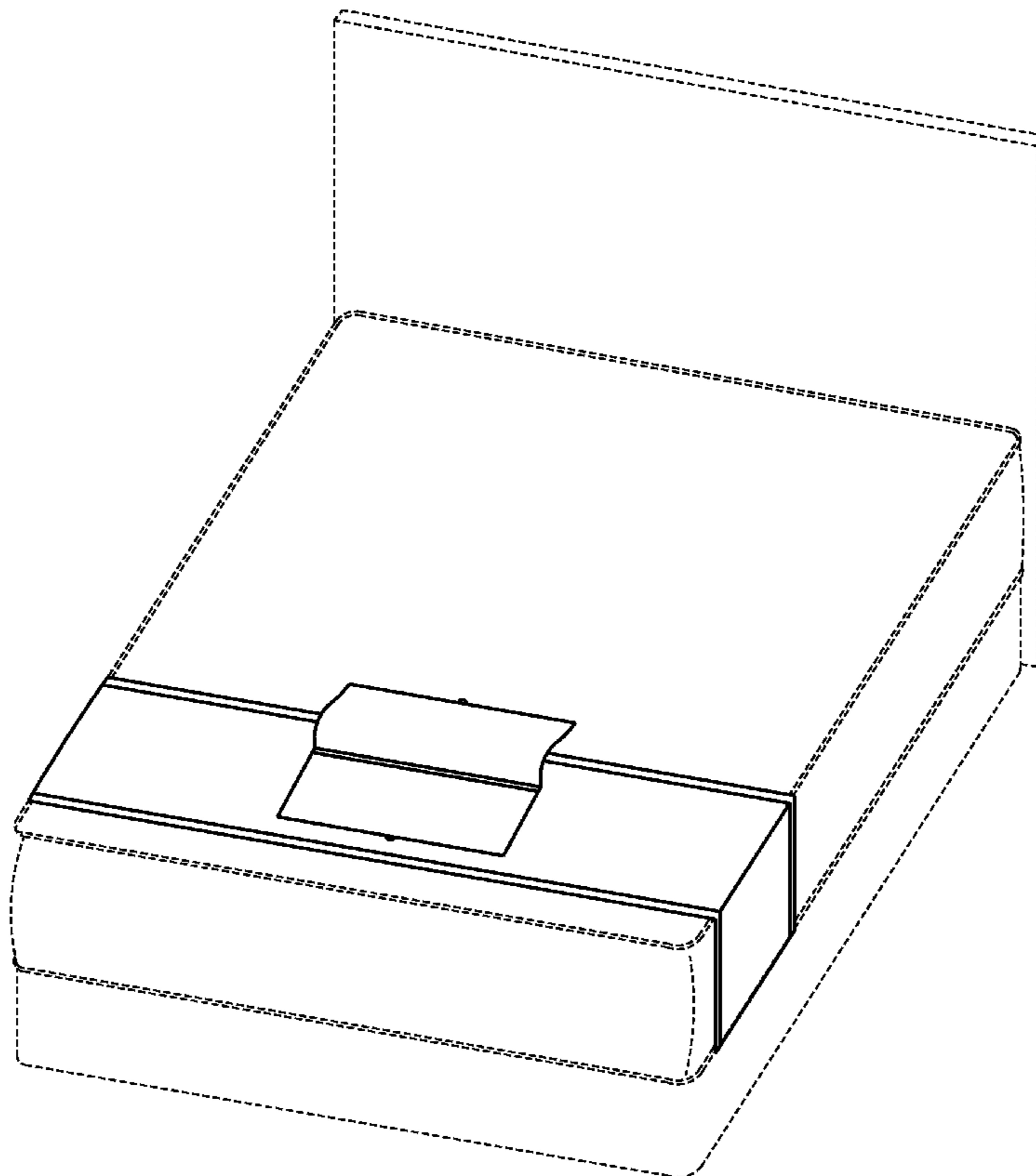
(56) **References Cited**

U.S. PATENT DOCUMENTS

6,014,782	A *	1/2000	Stevenson	5/499
6,216,292	B1 *	4/2001	Oakhill et al.	5/482
6,845,532	B1 *	1/2005	Rosenblum	5/482
D506,099	S *	6/2005	Muse	D6/608
D525,066	S *	7/2006	Plenty	D6/608
2011/0162139	A1 *	7/2011	Grubb et al.	5/499

* cited by examiner

1 Claim, 9 Drawing Sheets



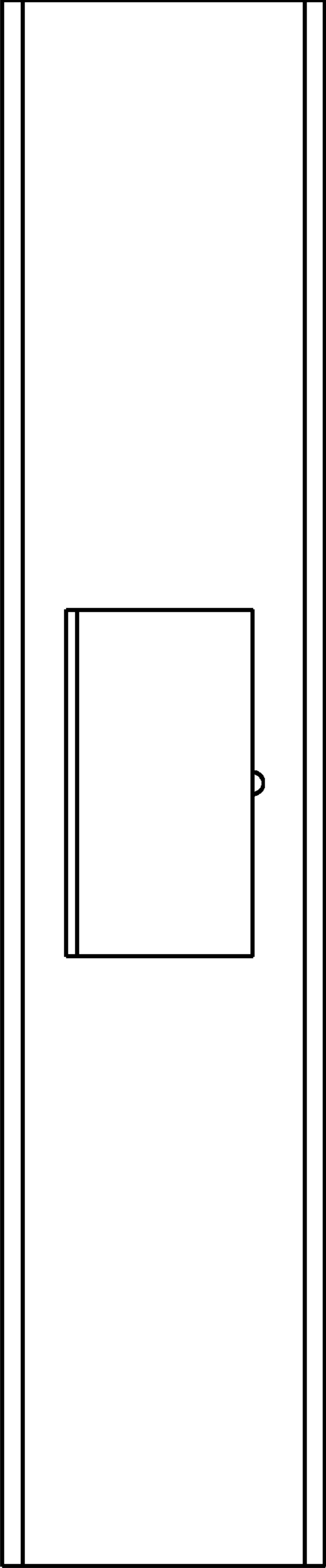


Fig. 1

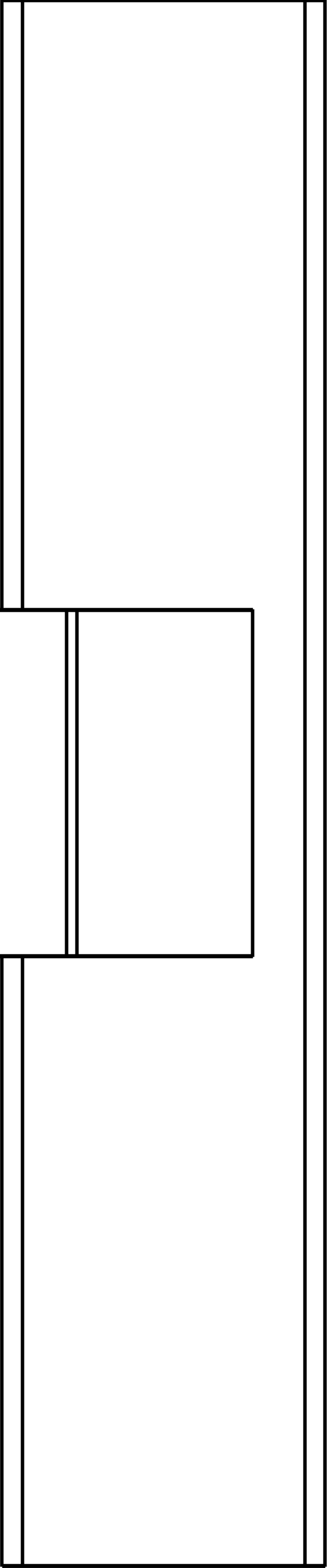


Fig. 2

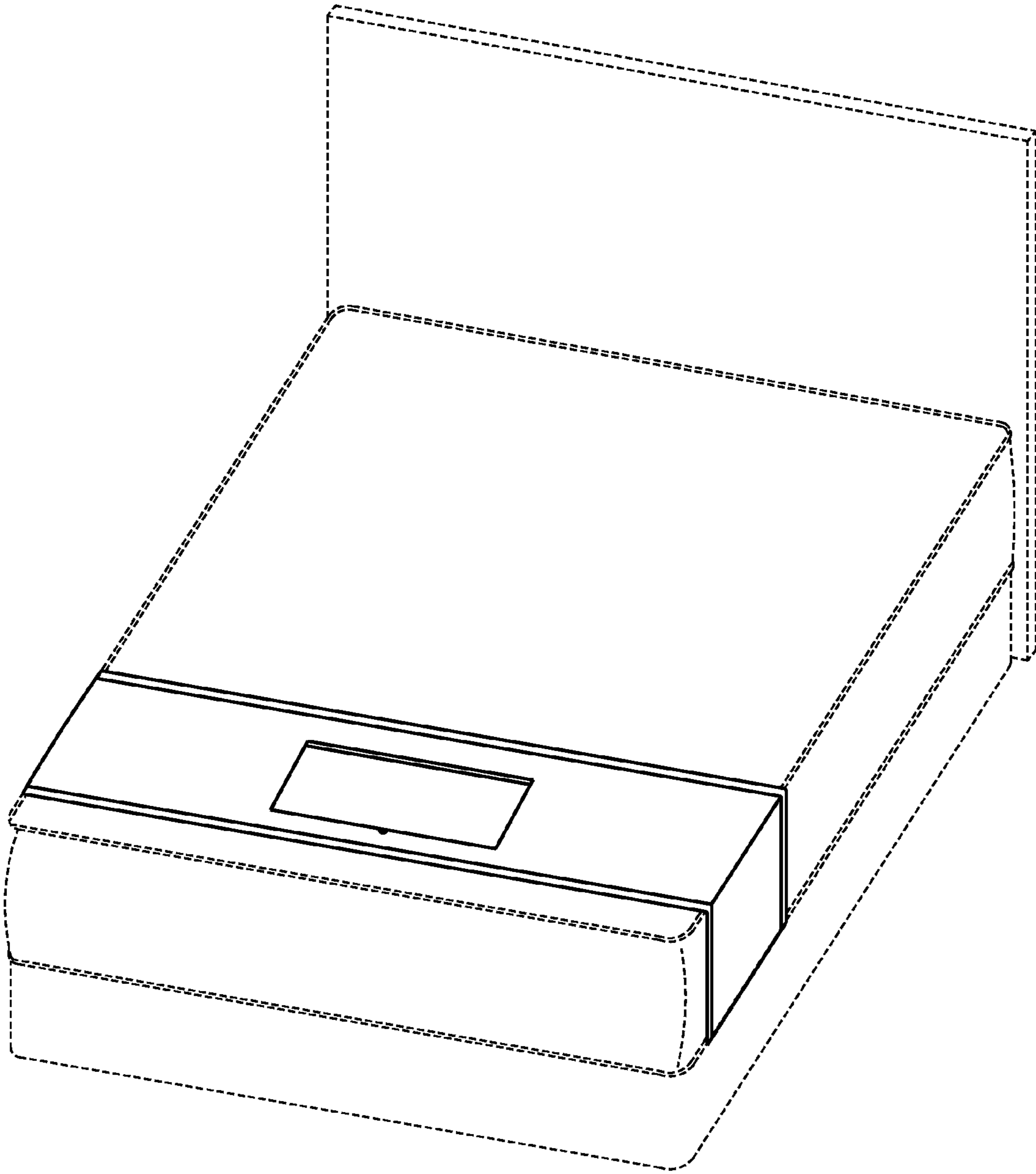


Fig. 3

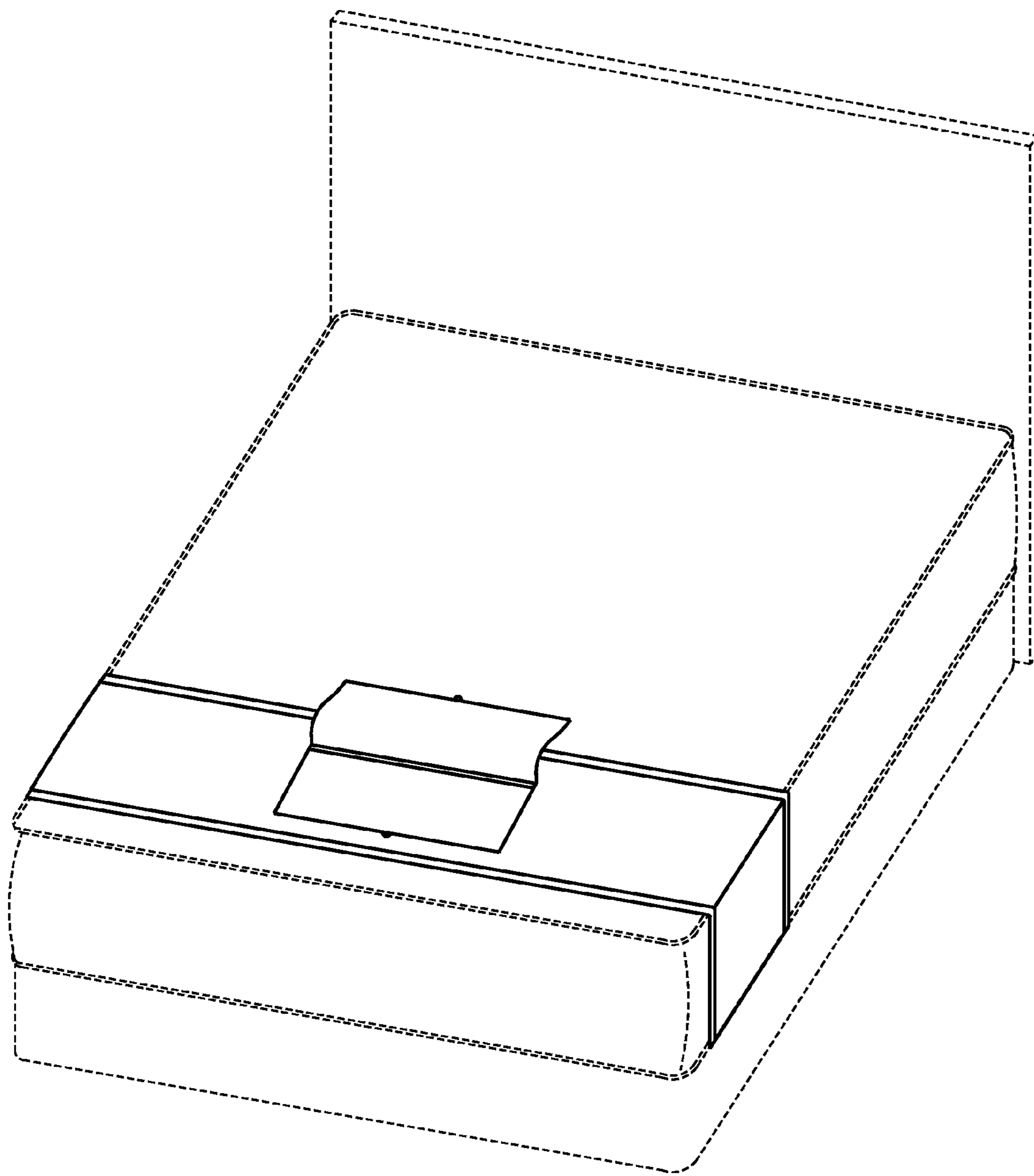


Fig. 4

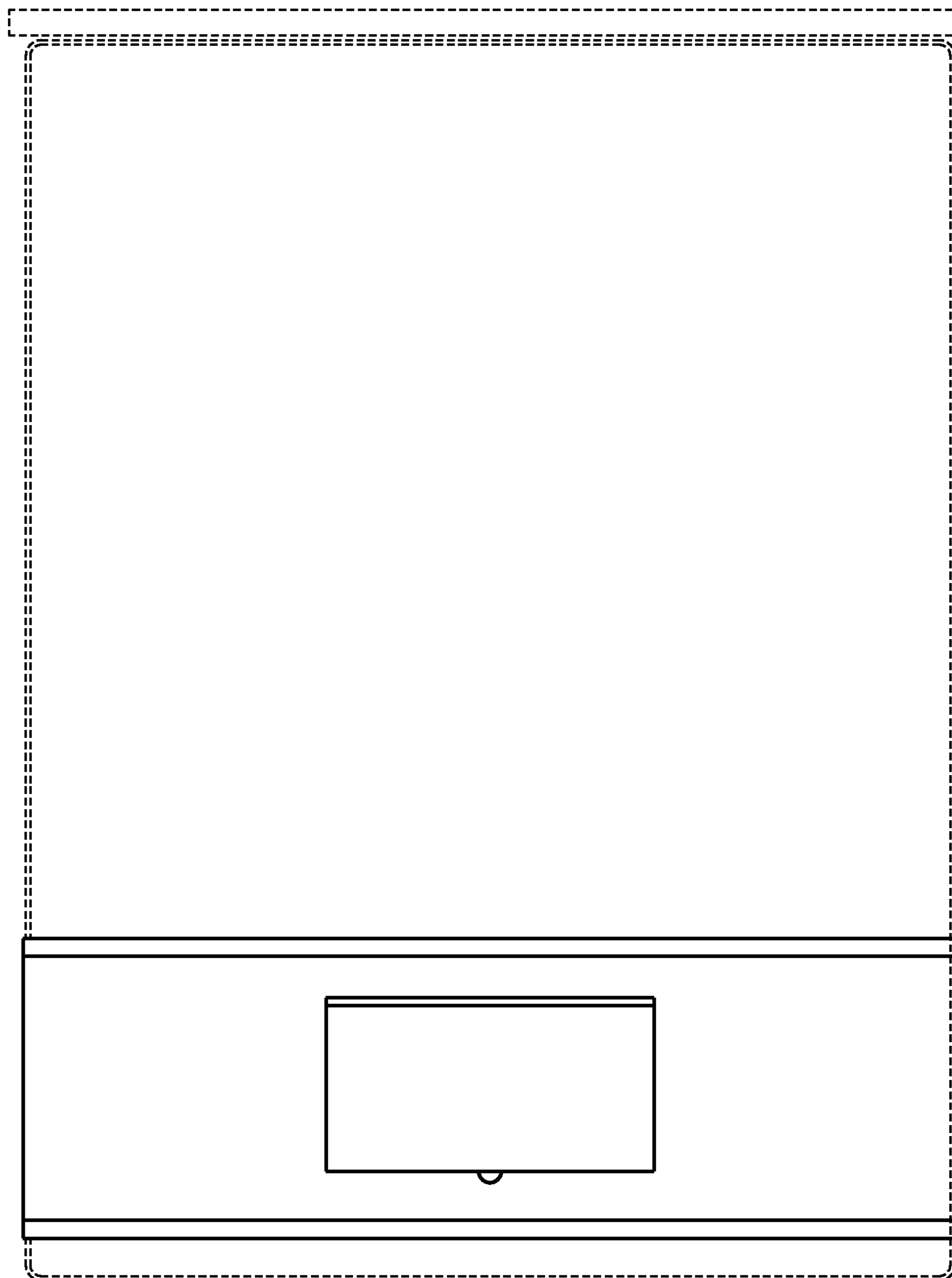


Fig. 5

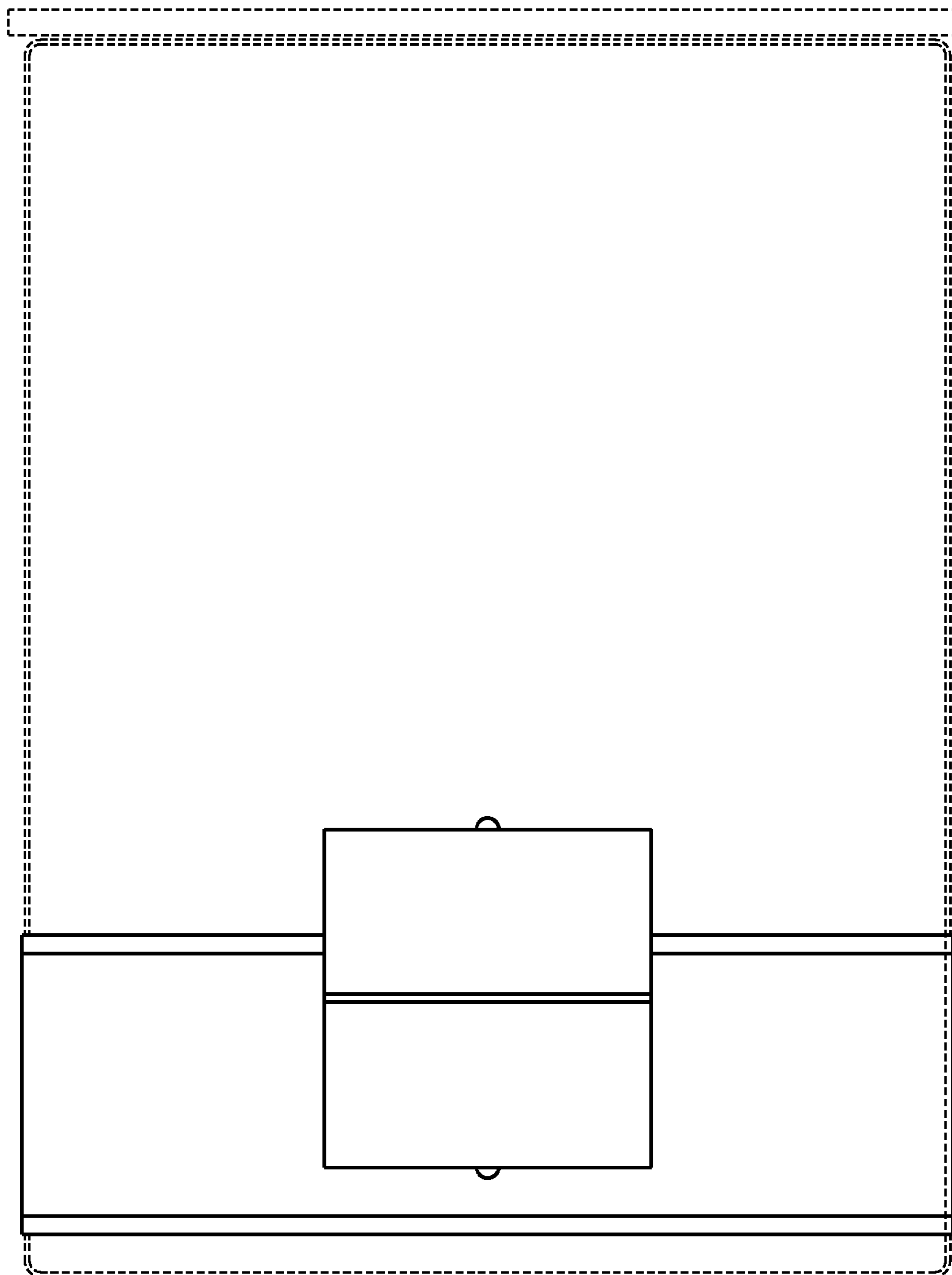


Fig. 6

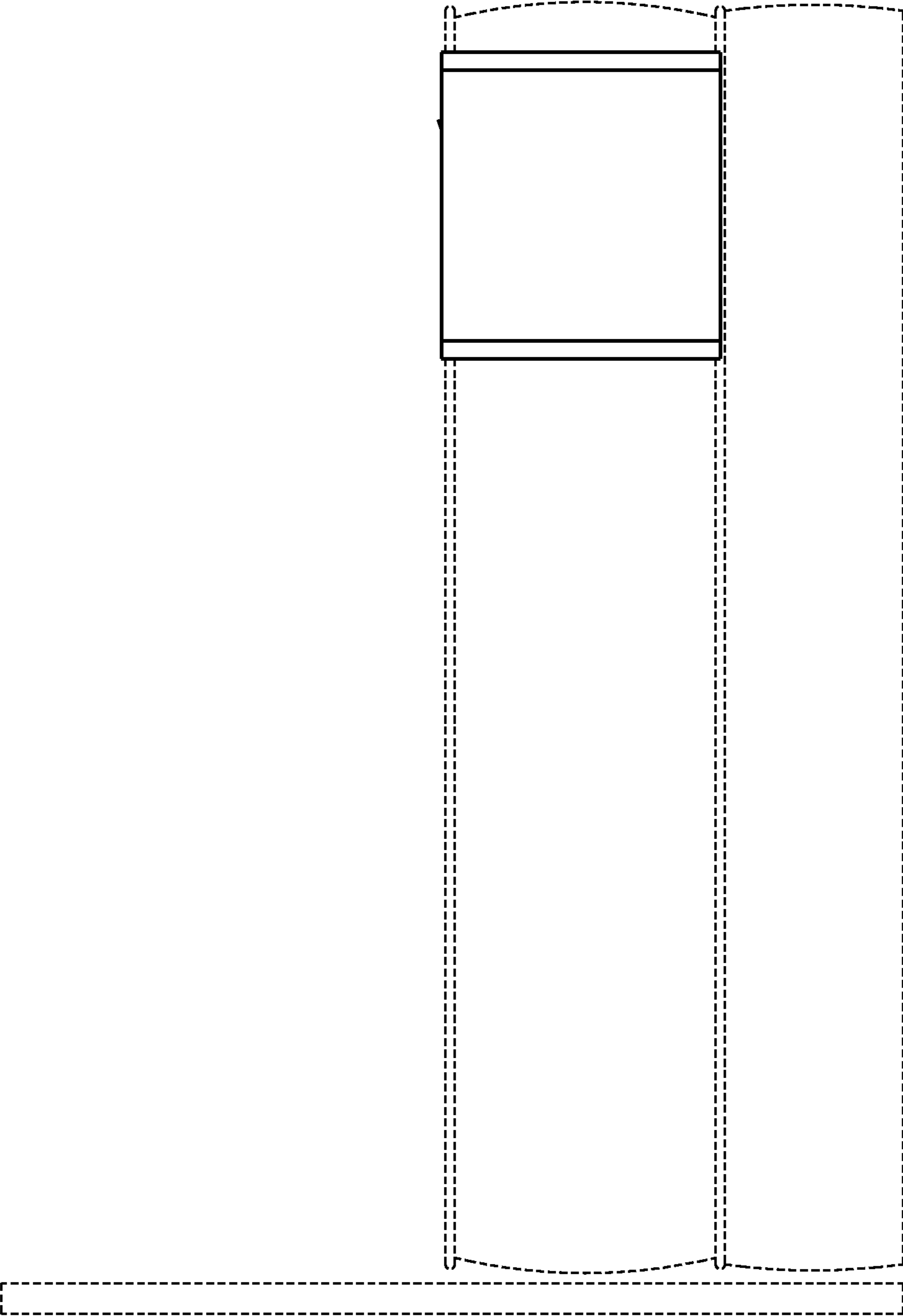


Fig. 7

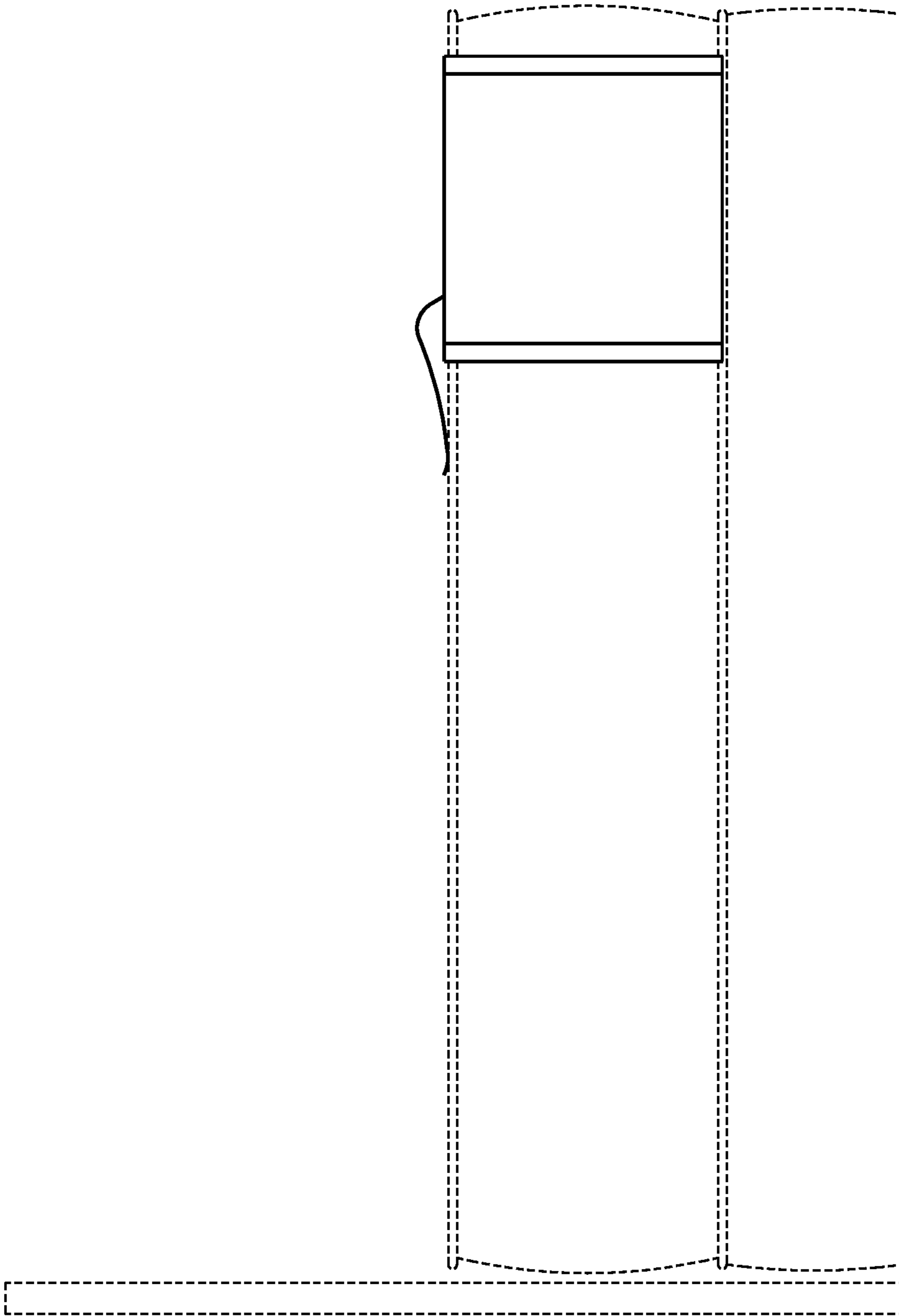


Fig. 8

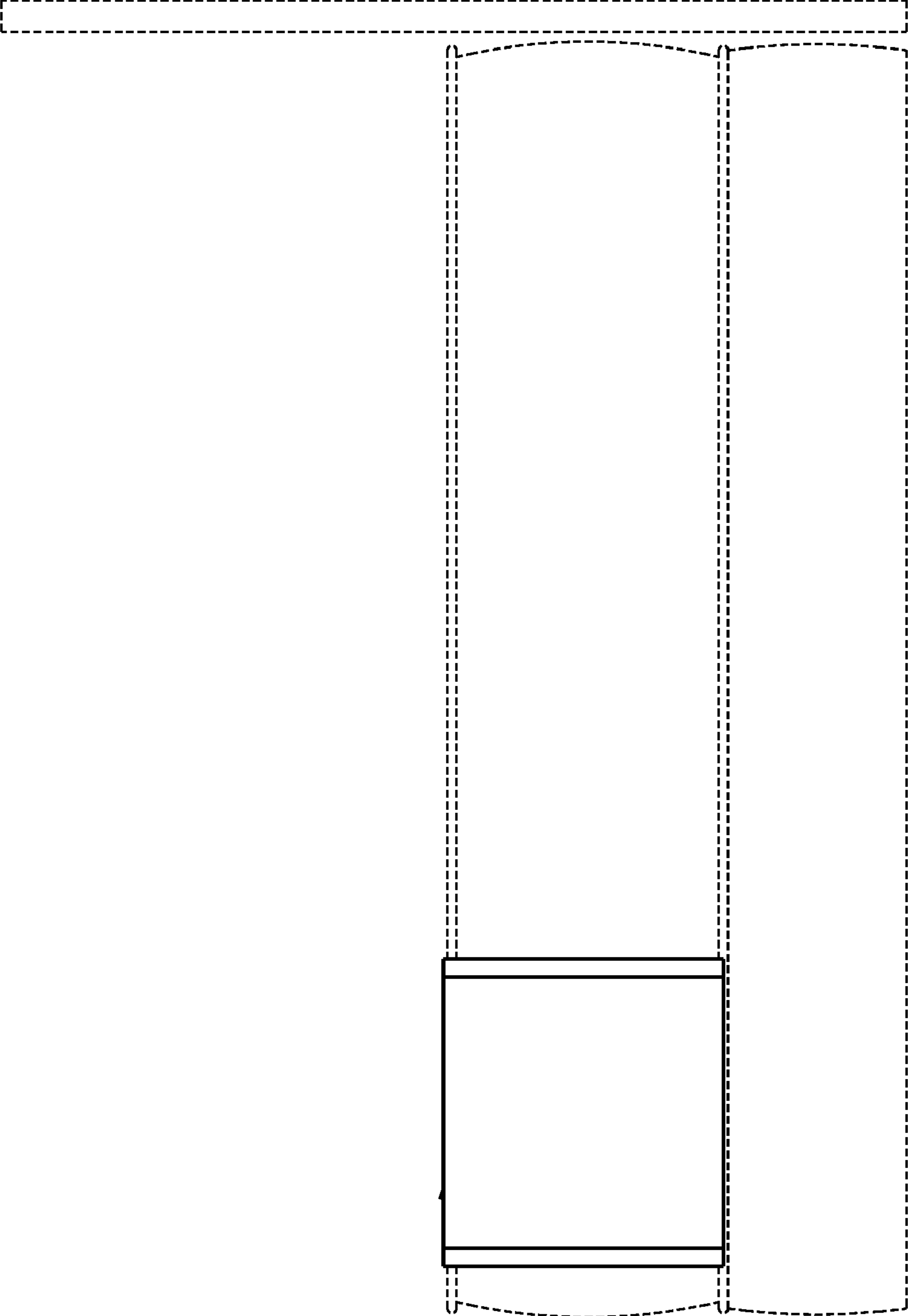


Fig. 9

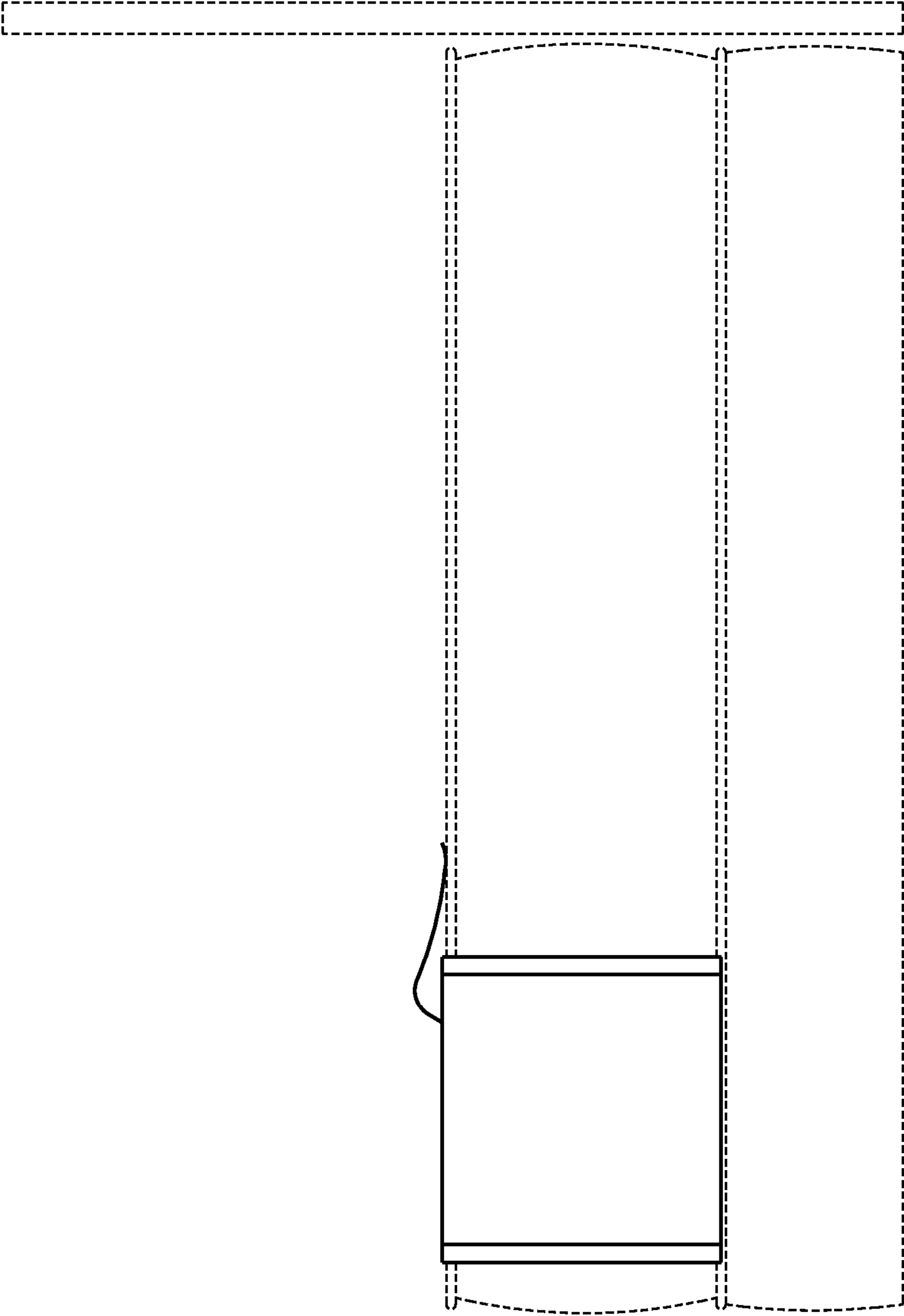


Fig. 10