



US00D655961S

(12) **United States Design Patent**
Kemp

(10) **Patent No.:** **US D655,961 S**
(45) **Date of Patent:** **** Mar. 20, 2012**

- (54) **ACCESSORY POST**
- (75) Inventor: **Douglas A. Kemp**, North Ridgeville, OH (US)
- (73) Assignee: **Moen Incorporated**, North Olmsted, OH (US)
- (**) Term: **14 Years**
- (21) Appl. No.: **29/401,409**
- (22) Filed: **Sep. 12, 2011**
- (51) **LOC (9) Cl.** **23-02**
- (52) **U.S. Cl.** **D6/524; D6/550**
- (58) **Field of Classification Search** D6/518-524, D6/546-550; D8/300, 370, 315; 108/28-29; 211/13.1, 16, 85.5, 86.01, 87.01, 88.04, 100, 211/105.1, 105.2, 106, 113, 123, 181.1, 182-183; 248/49, 175, 176.1, 200, 201, 205.1, 251, 248/302, 309.1, 315; 242/570, 590, 595-598
See application file for complete search history.

D522,345 S	6/2006	Soriano	
D533,384 S *	12/2006	Gilbert	D6/550
D540,085 S	4/2007	Krumpe et al.	
D546,606 S	7/2007	Berberet	
D556,034 S	11/2007	Lee	
D557,049 S	12/2007	Sedwick et al.	
D569,949 S	5/2008	Yuan	
D573,385 S	7/2008	Guo et al.	
D575,565 S *	8/2008	Gilbert	D6/524
D581,028 S	11/2008	Dolan	
D581,488 S	11/2008	Dolan	
D582,015 S	12/2008	Yuan	
D597,634 S	8/2009	Haug et al.	
D600,479 S *	9/2009	Gao	D6/524
D604,075 S	11/2009	Chen	
D633,737 S *	3/2011	Gilbert	D6/524

* cited by examiner

Primary Examiner — Brian N Vinson

(74) *Attorney, Agent, or Firm* — Calfee, Halter & Griswold LLP

(57) **CLAIM**

The ornamental design for an accessory post, as shown and described.

(56) **References Cited**

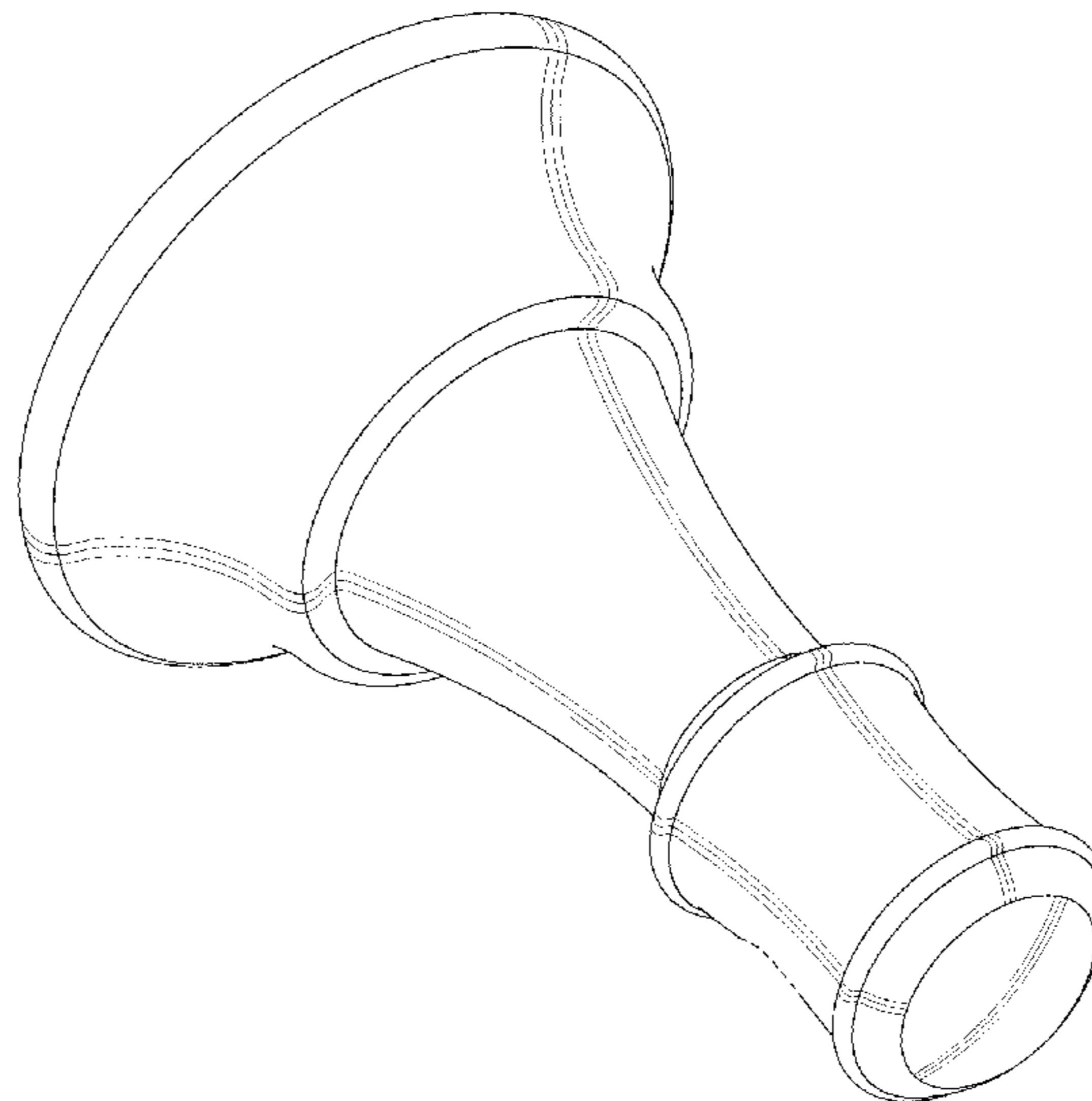
U.S. PATENT DOCUMENTS

D42,459 S	5/1912	Farr	
2,542,941 A	11/1947	Post	
D332,824 S	1/1993	Robbins	
D348,509 S *	7/1994	Bollenbacher	D6/550
D362,361 S	9/1995	Lehn et al.	
D371,826 S	7/1996	Robbins	
D375,149 S	10/1996	Robbins	
D409,032 S	5/1999	Kuo	
D454,742 S	3/2002	Meck et al.	
D466,348 S	12/2002	Yen	
D466,349 S	12/2002	Tai	
D473,412 S	4/2003	Chou	
D483,585 S	12/2003	Chen	
D509,567 S	9/2005	Gilbert	
D512,860 S	12/2005	Ferrer Beltran	
D514,203 S	1/2006	Kulig	

DESCRIPTION

FIG. 1 is a perspective view of an accessory post of the new design;
 FIG. 2 is a front elevational view of the accessory post of FIG. 1;
 FIG. 3 is a left side elevational view of the accessory post of FIG. 1;
 FIG. 4 is a right side elevational view of the accessory post of FIG. 1; and,
 FIG. 5 is a top plan view of the accessory post of FIG. 1, the bottom plan view being a mirror image thereof.
 The portions of the Figures shown in broken lines are not part of the claimed design and are for illustration only.

1 Claim, 3 Drawing Sheets



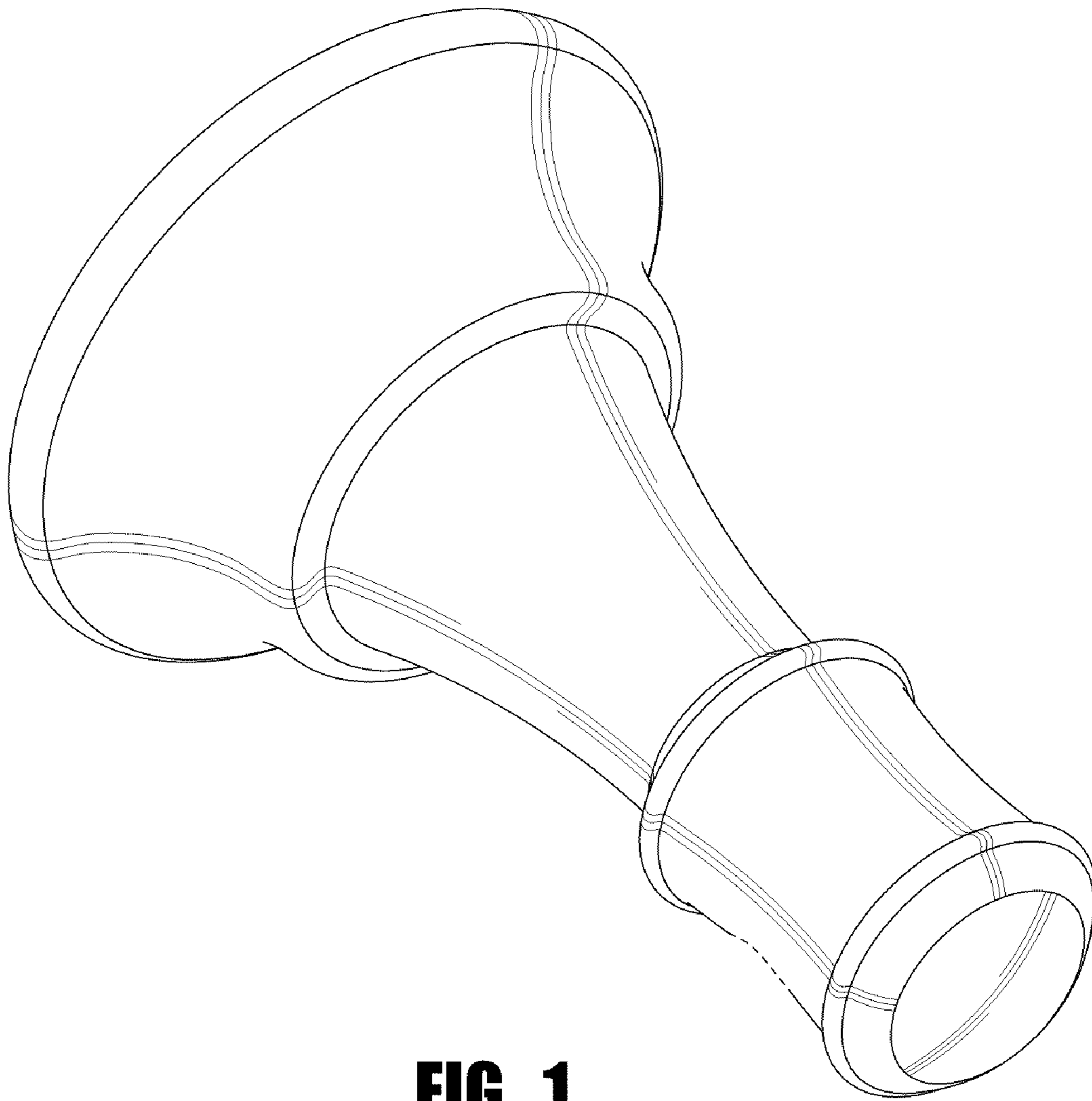


FIG. 1

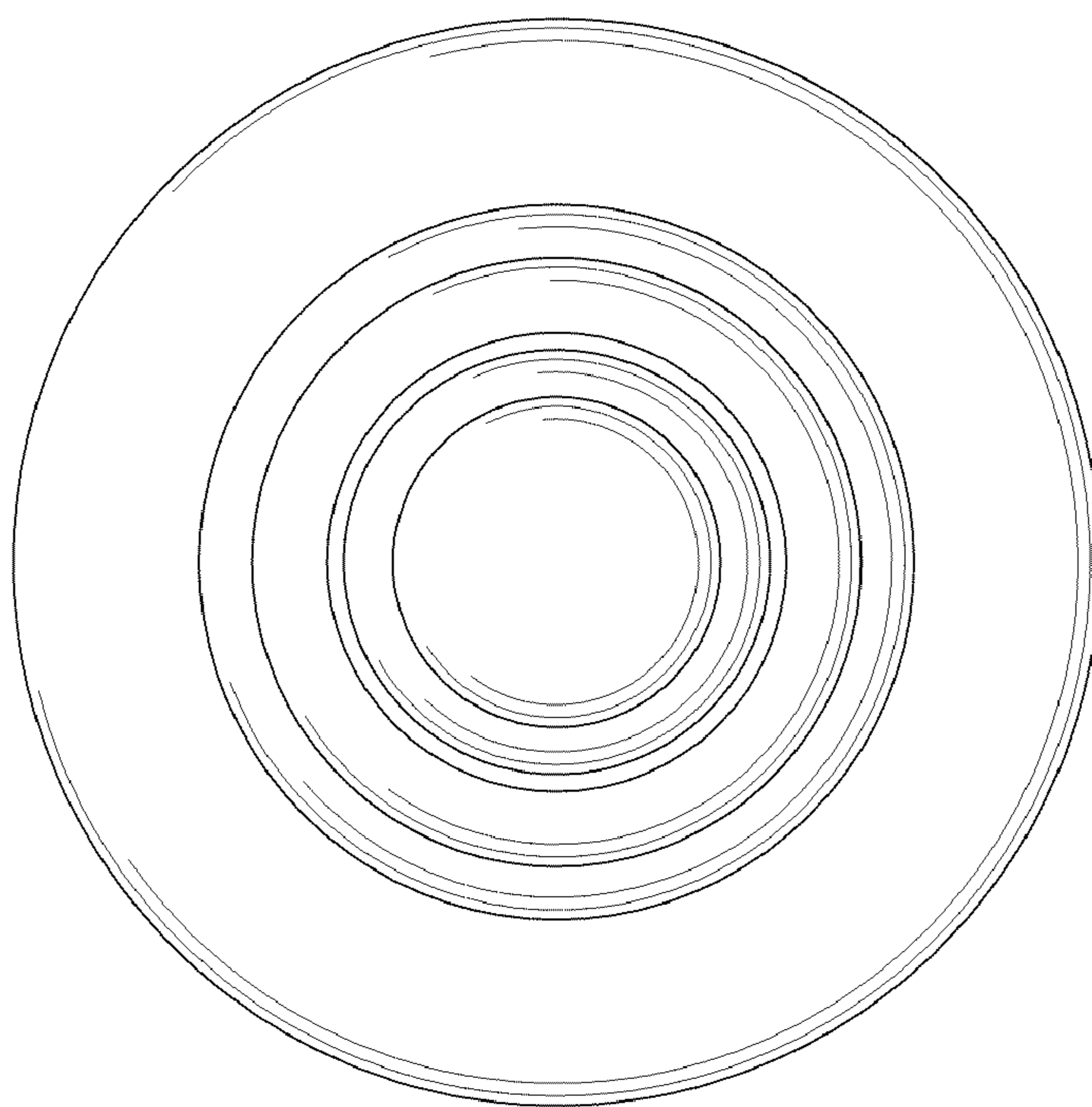


FIG. 2

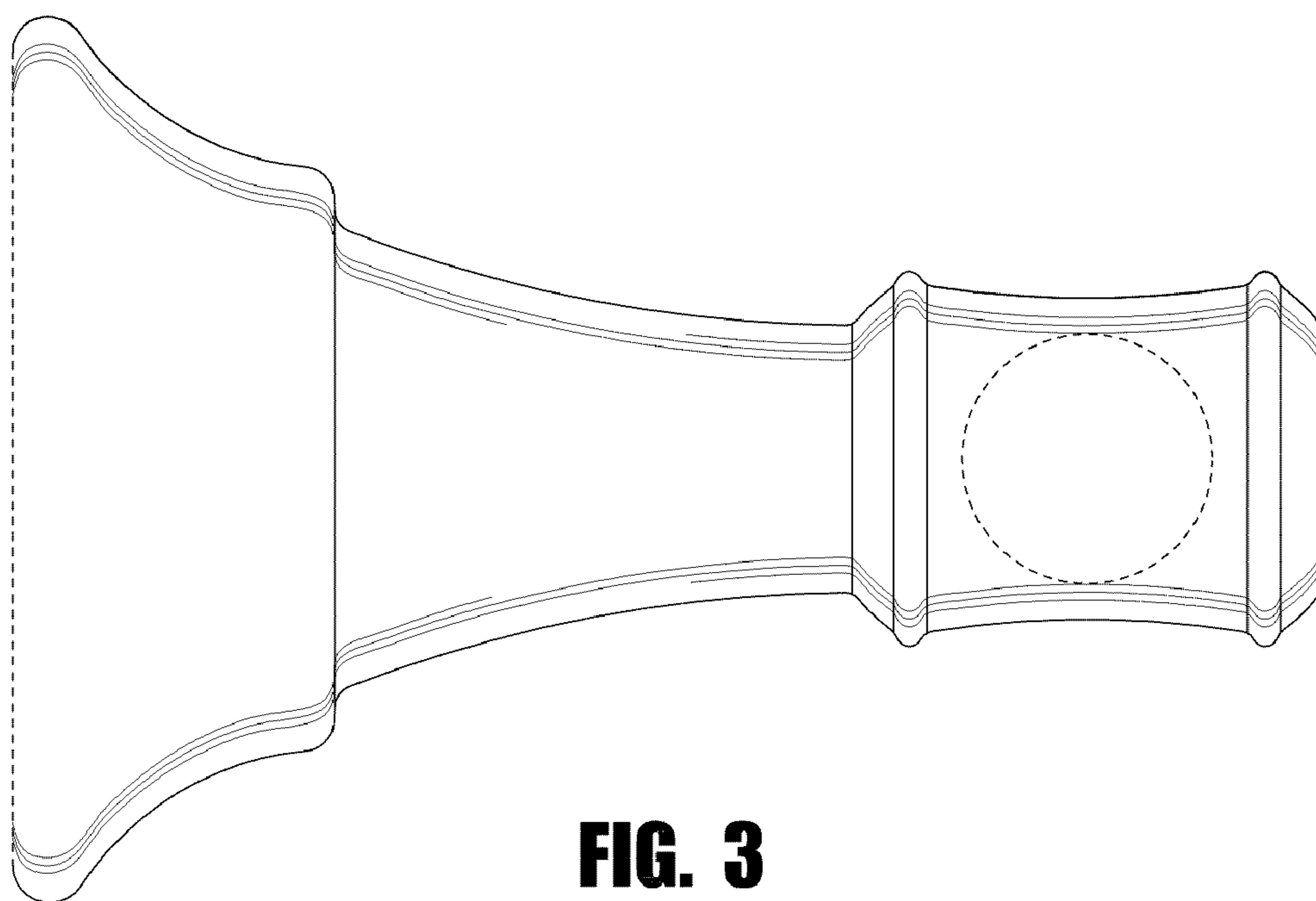


FIG. 3

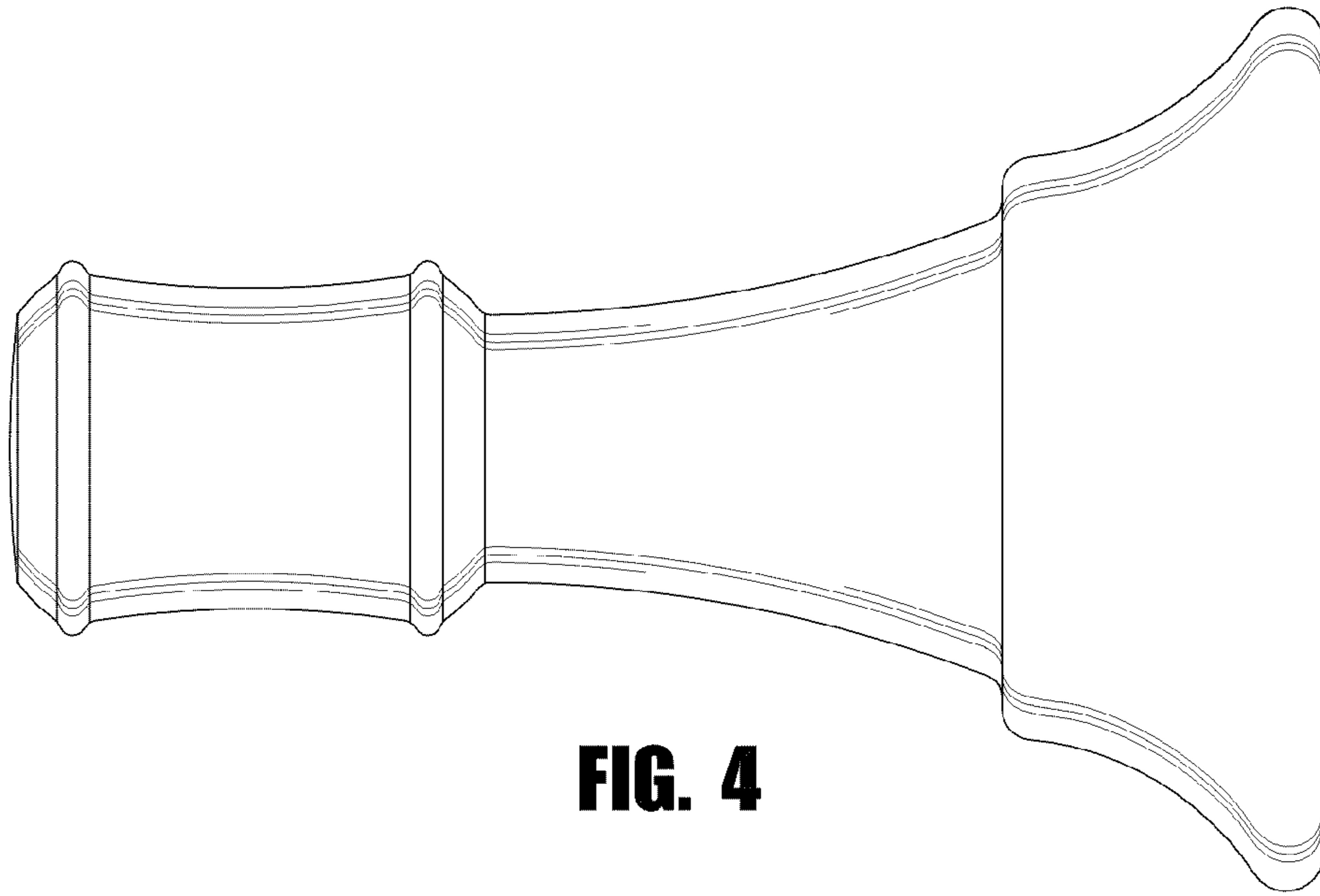


FIG. 4

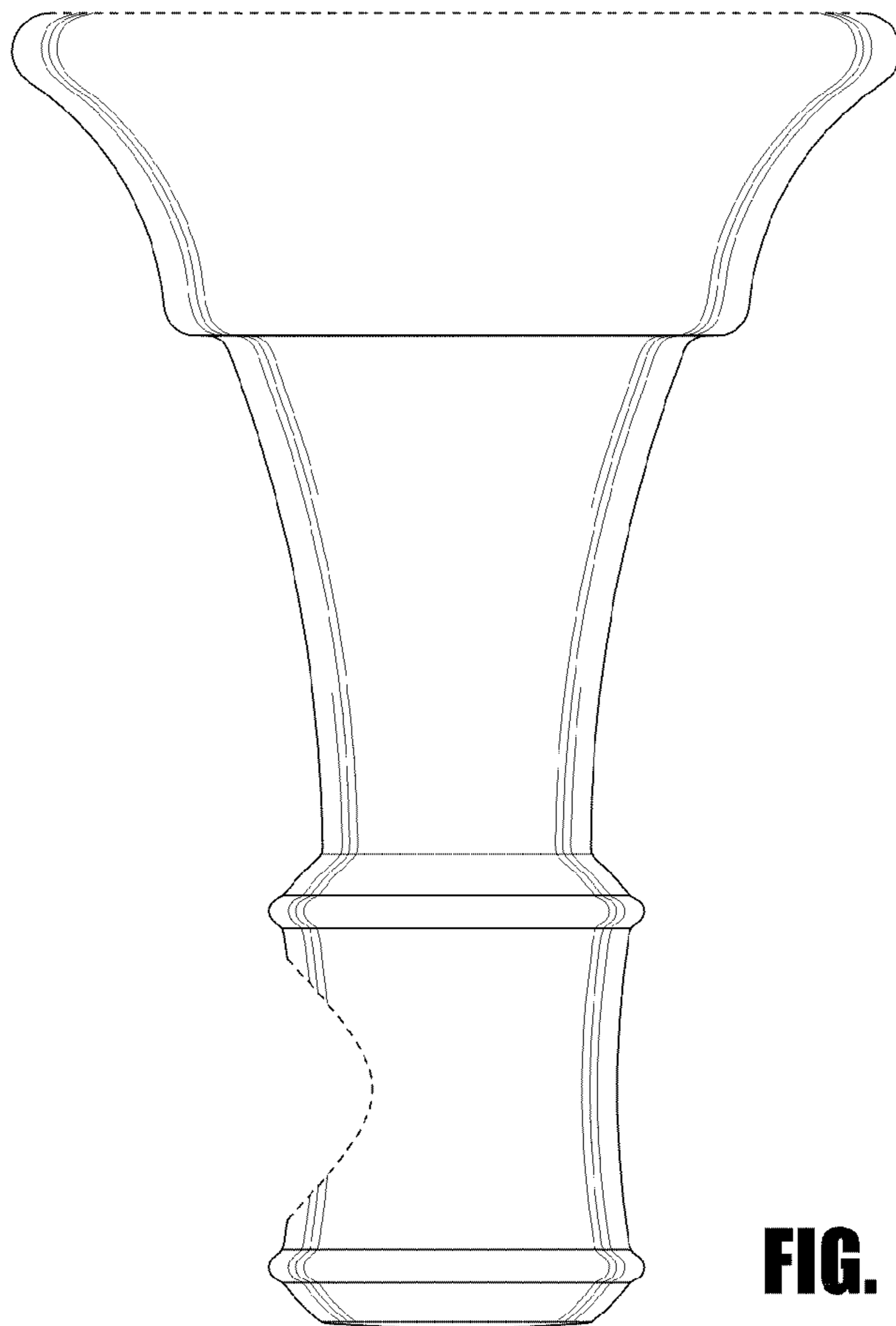


FIG. 5