



US00D655959S

(12) **United States Design Patent**
Kluck

(10) **Patent No.:** **US D655,959 S**
(45) **Date of Patent:** **** Mar. 20, 2012**

(54) **COMBINATION DISPENSER AND WASTE RECEPTACLE**

(75) Inventor: **Scott M. Kluck**, Mequon, WI (US)

(73) Assignee: **Bradley Corporation**, Menomonee Falls, WI (US)

(**) Term: **14 Years**

(21) Appl. No.: **29/379,126**

(22) Filed: **Nov. 15, 2010**

(51) **LOC (9) Cl.** **20-02**

(52) **U.S. Cl.** **D6/519**

(58) **Field of Classification Search** D6/515-524;
D34/1, 11; 211/13.1, 71.01, 85.19, 88.01;
221/33, 45, 282-283; 248/905; 312/34.1,
312/34.4

See application file for complete search history.

(56) **References Cited**

U.S. PATENT DOCUMENTS

1,800,826	A *	4/1931	Feltault	312/242
D219,066	S *	10/1970	Biggar	D6/519
D283,573	S *	4/1986	Bernard	D6/519
4,617,655	A	10/1986	Aldenhoven		
4,707,933	A	11/1987	Keck et al.		
4,949,877	A	8/1990	Hanna et al.		
4,964,544	A	10/1990	Hanna et al.		
D332,194	S	1/1993	Hines		
D332,195	S	1/1993	Hines		
D332,196	S	1/1993	Hines		
D332,365	S	1/1993	Hines		
D332,542	S	1/1993	Hines		
D332,679	S	1/1993	Hines		
D332,849	S	1/1993	Hines		
D334,266	S	3/1993	Hines		
5,226,625	A	7/1993	Hanna		
D338,361	S *	8/1993	Hines	D6/524
D340,374	S *	10/1993	Hines	D6/519
D341,724	S *	11/1993	Hines	D6/519
5,261,619	A	11/1993	Merriweather		
D342,175	S *	12/1993	Hines	D6/519
5,605,265	A	2/1997	Hanna		

D385,445	S	10/1997	Arbak et al.		
D401,708	S	11/1998	Arbak et al.		
5,957,324	A	9/1999	Gettelman et al.		
D416,726	S	11/1999	Kurti et al.		
5,988,451	A	11/1999	Hanna		
D426,412	S	6/2000	Cameron		
6,119,901	A	9/2000	Hanna et al.		
6,129,245	A	10/2000	Redman et al.		
6,131,771	A	10/2000	Hanna		
6,276,027	B1	8/2001	Hanna		
6,502,721	B2	1/2003	Redman et al.		
D483,207	S *	12/2003	Winslow	D6/519
D546,081	S	7/2007	Babikian et al.		

(Continued)

OTHER PUBLICATIONS

Big Willy Toilet Paper Dispenser, believed to have been publicly available before Nov. 15, 2010, 1 page.

(Continued)

Primary Examiner — Brian N Vinson

(74) *Attorney, Agent, or Firm* — Foley & Lardner LLP

(57) **CLAIM**

The ornamental design for a combination dispenser and waste receptacle, as shown and described.

DESCRIPTION

FIG. 1 is a top, front, and right side perspective view of a combination dispenser and waste receptacle showing my new design;

FIG. 2 is front and left side perspective view thereof;

FIG. 3 is a front elevational view thereof;

FIG. 4 is a rear elevational view thereof;

FIG. 5 is a right side elevational view thereof;

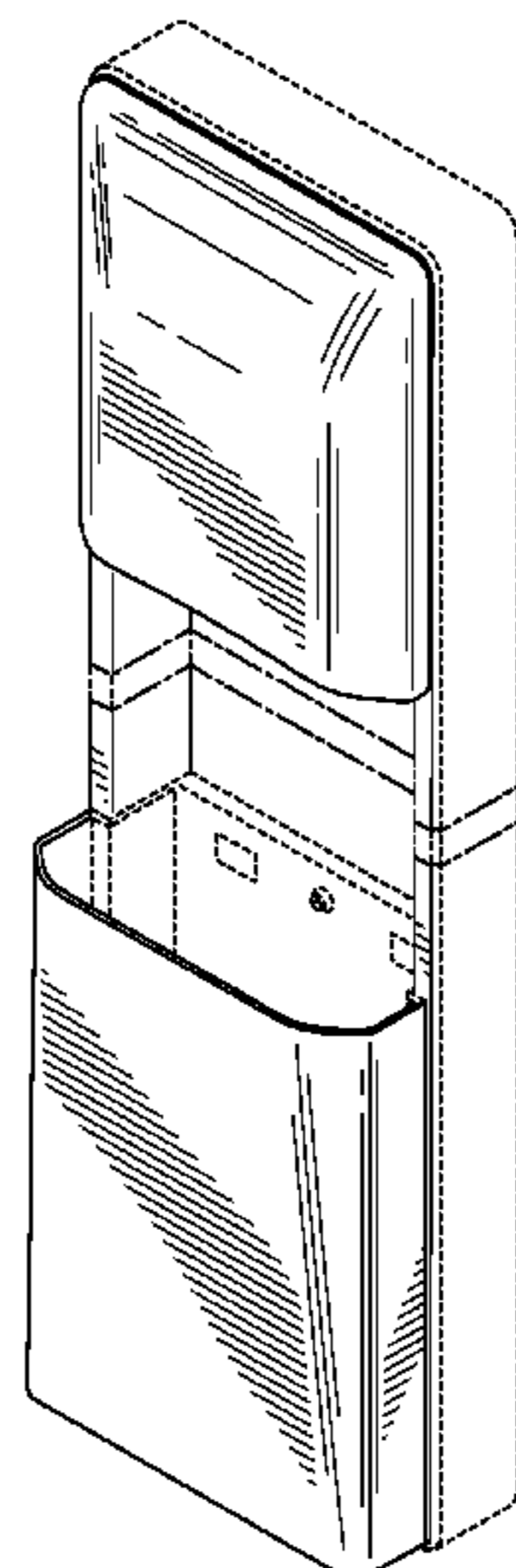
FIG. 6 is a left side elevational view thereof;

FIG. 7 is a top plan view thereof; and,

FIG. 8 is a bottom view thereof.

The broken-line disclosure is understood to represent portions of the article in which the claimed design is embodied, but which form no part of the claimed design.

1 Claim, 6 Drawing Sheets



U.S. PATENT DOCUMENTS

D551,476 S * 9/2007 Cittadino et al. D6/519
2002/0100771 A1 8/2002 Redman et al.
2003/0071074 A1 4/2003 Redman et al.
2004/0164093 A1 8/2004 Redman et al.
2005/0133529 A1 6/2005 Redman et al.
2007/0023565 A1 2/2007 Babikian et al.
2007/0075579 A1 4/2007 Babikian et al.
2007/0151980 A1 7/2007 Babikian et al.
2008/0251528 A1 10/2008 Babikian et al.

OTHER PUBLICATIONS

Columbia Accessories: A Division of PSiSC, 2009 Washroom Accessories Catalog, <http://www.psis.com/catalogs/acc.pdf>, Accessed Mar. 3, 2011, 2 pages.

Durchdacht bis ins Detail, Photos of Trash Receptacle, Paper Towel Dispenser, Toilet Paper Dispenser, Soap Dispenser, believed to have been publicly available before Nov. 15, 2010, 2 pages.

Ille Folded Paper And Soap Dispenser, believed to have been publicly available before Nov. 15, 2010, 1 page.

Palmer Fixture, Blustorm Hands Free High Speed Dryer, Hands-Free Universal Roll Towel Dispensers, <http://palmerfixture.com/product.php?id=194492>, Accessed Jul. 15, 2009, 1 page.

Palmer Fixture, Soap Dispenser Bulk Electronic SE800, <http://www.palmerfixture.com/product.php?id=191859>, Accessed Jul. 15, 2009, 1 page.

Paper Towel Dispenser and Tissue Dispenser, ABS Plastic, http://www.allproducts.com/household/fanda/16-pull_towel_dispenser.html, Accessed Jul. 15, 2009, 1 page.

Pro Cleaning Solutions: Paper Products: Sofpull Centrepull Towel Di, <http://procleaning.com/xcart/product.php?productid=176&cat=3&page=5>, Accessed Jul. 15, 2009, 1 page.

The Royal Connection, American Specialties, Inc., bearing a designation, © 2009, 8 pages.

Washroom Accessories Bobrick Color Catalog, believed to have been publicly available before Nov. 15, 2010. 52 pages.

* cited by examiner

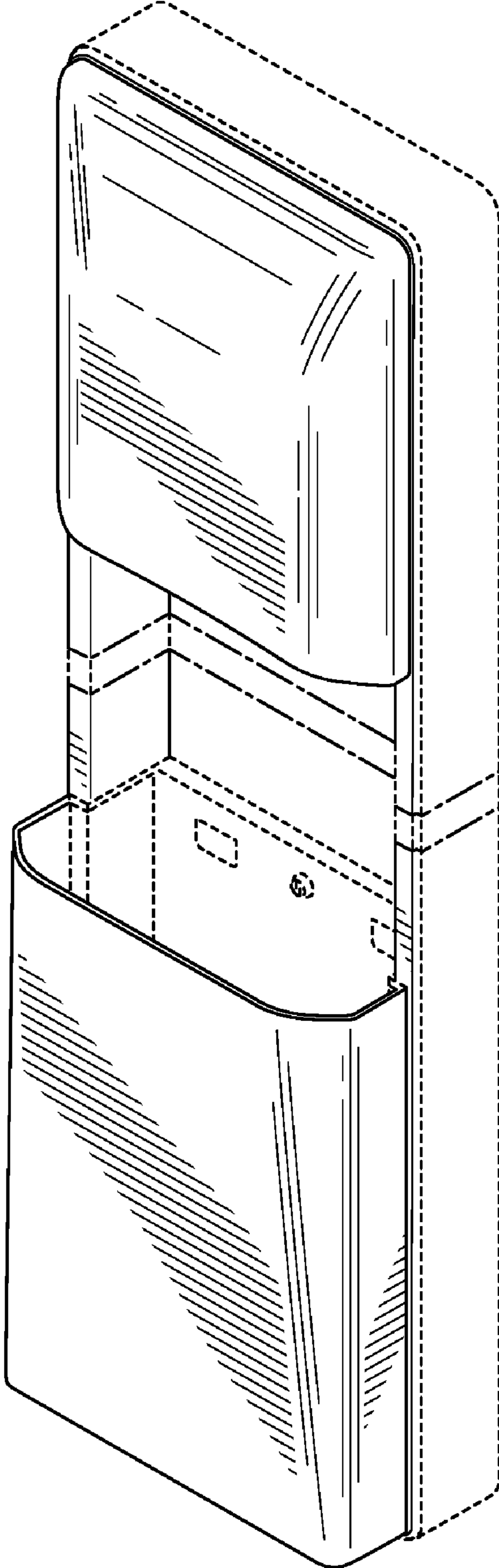


FIG. 1

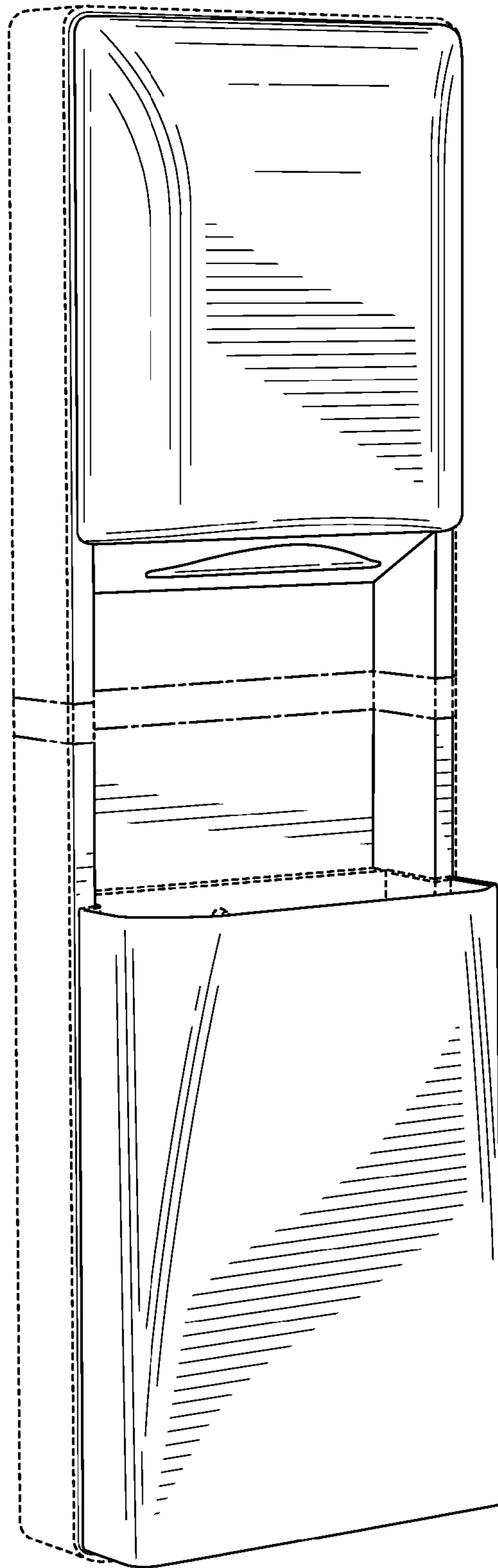


FIG. 2

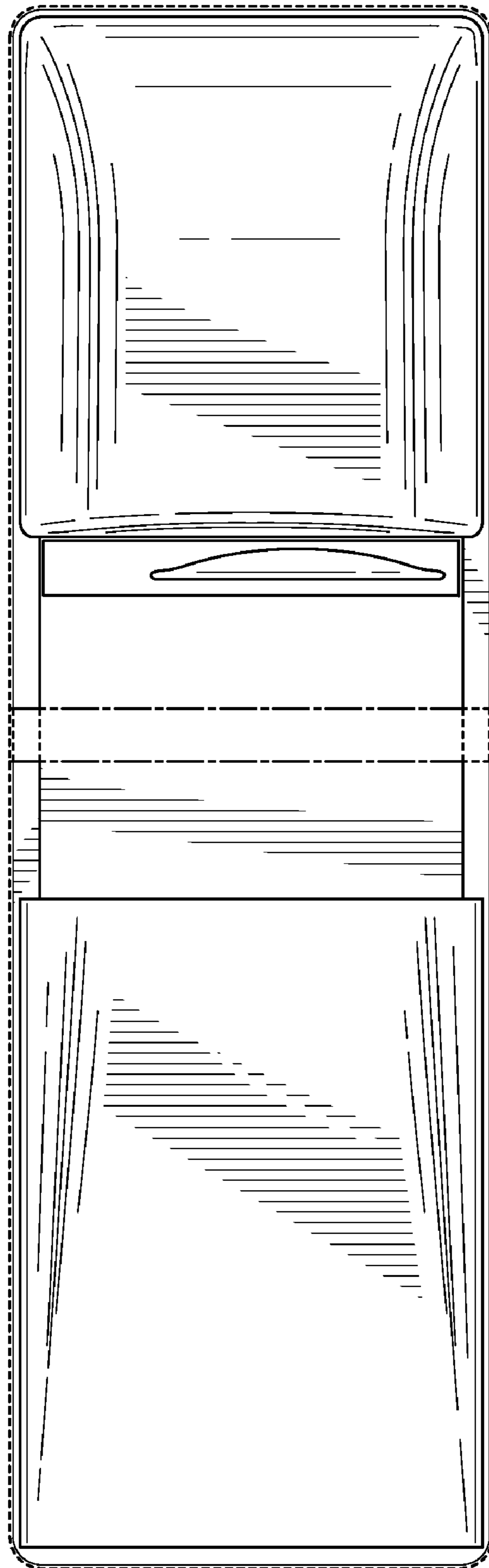


FIG. 3

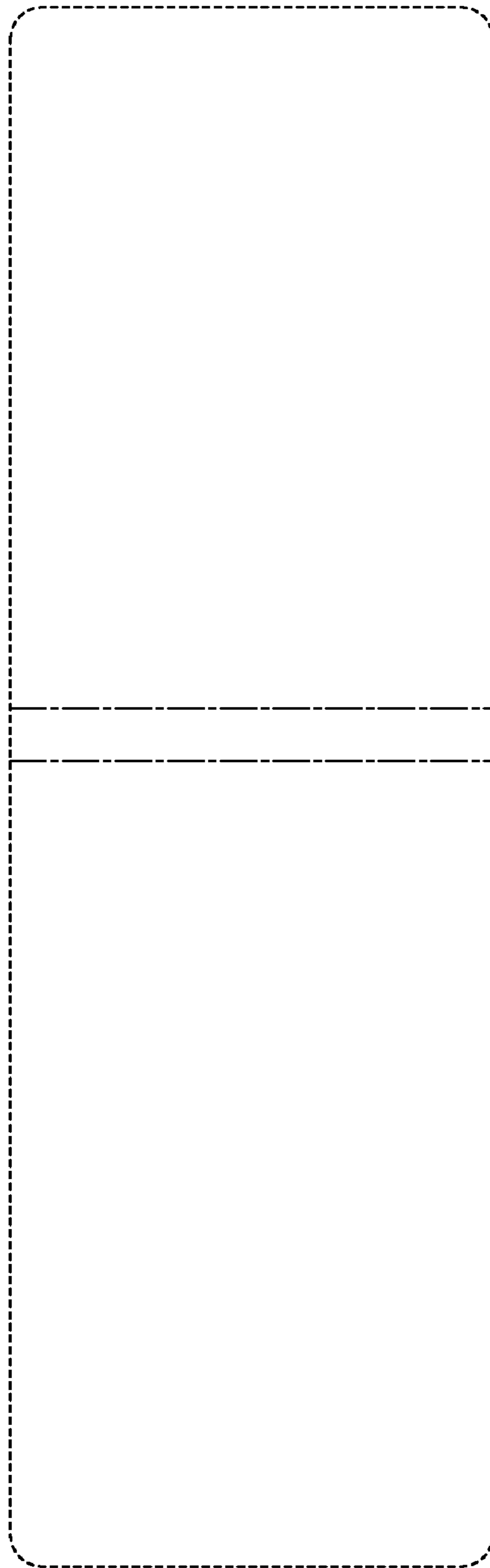


FIG. 4

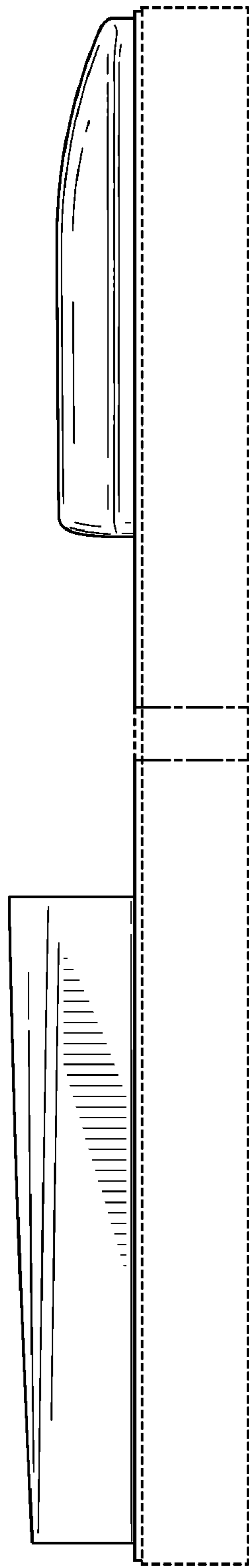


FIG. 5

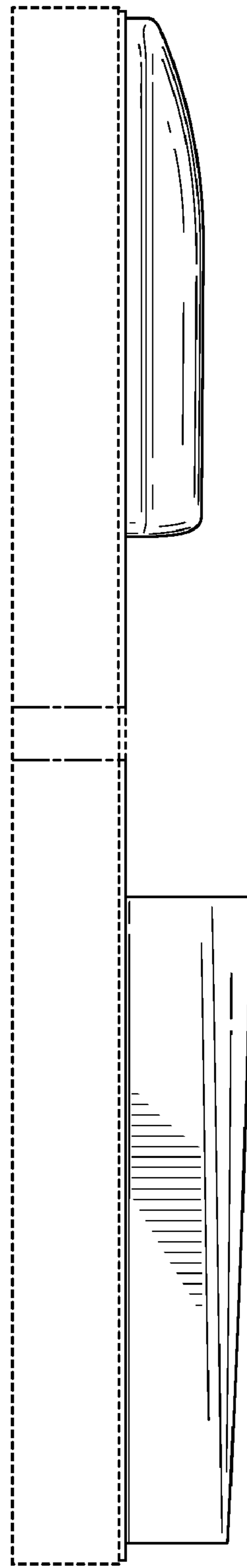


FIG. 6

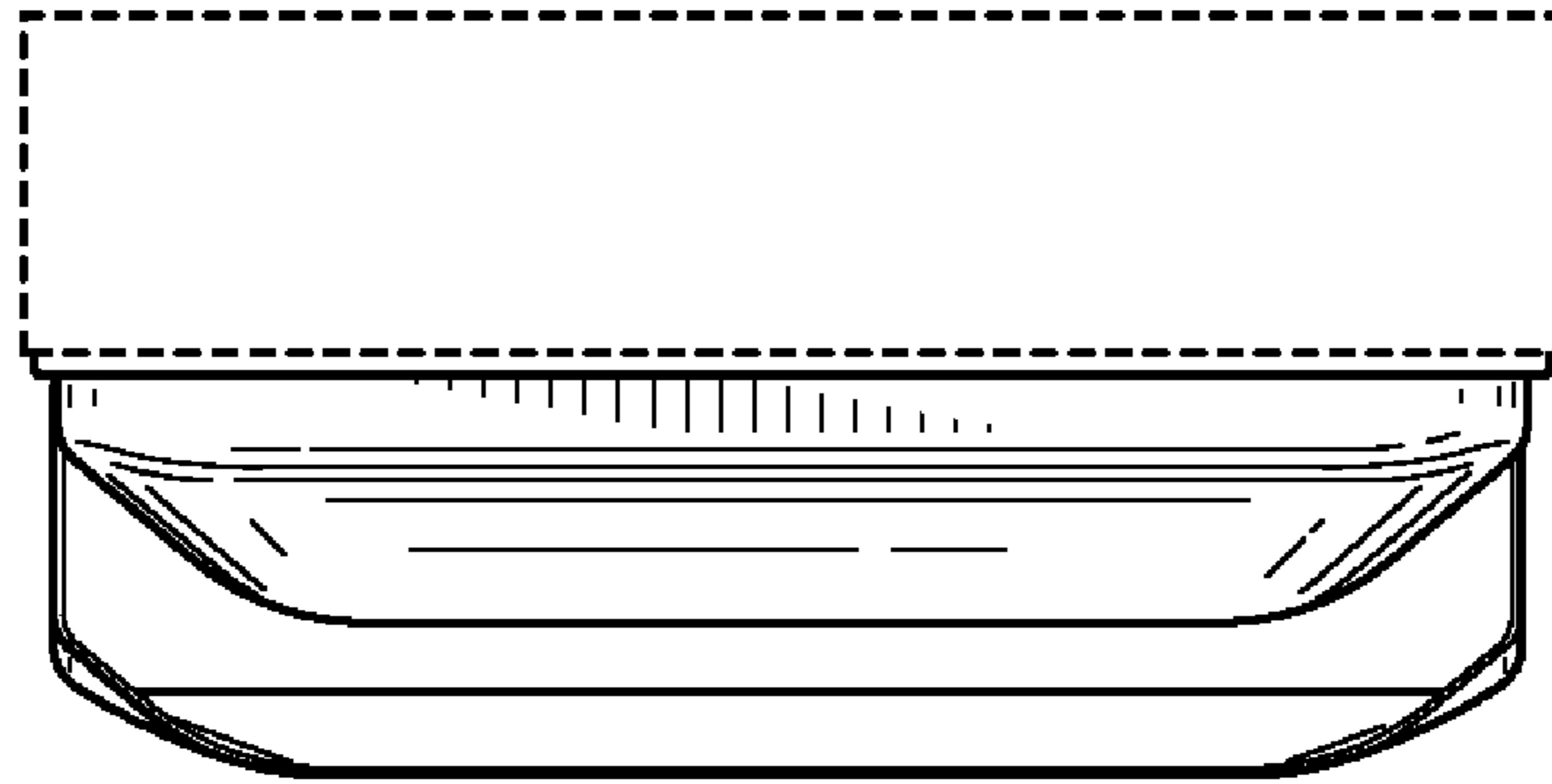


FIG. 7

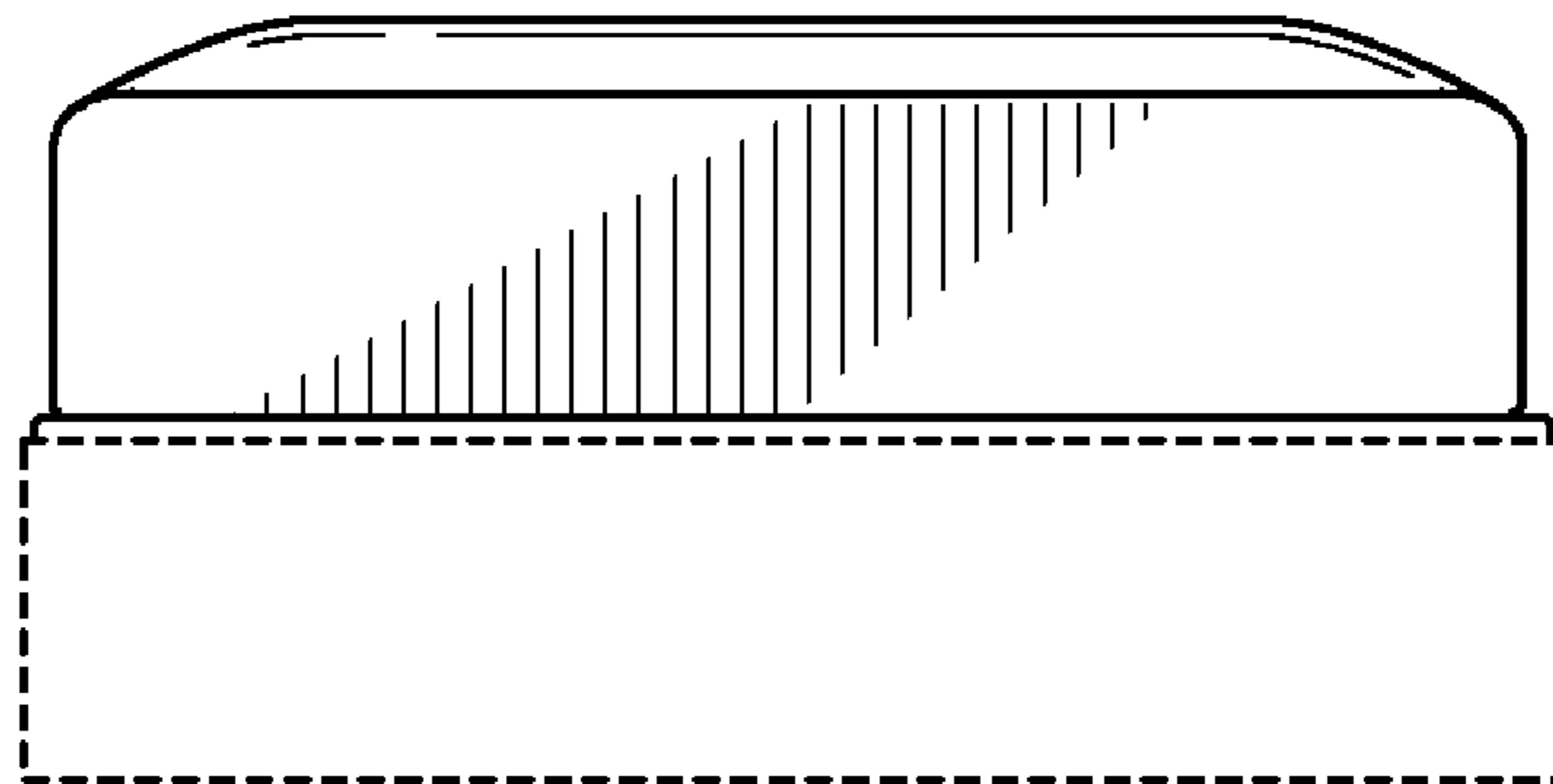


FIG. 8