



US00D655956S

(12) **United States Design Patent**
Wolme et al.

(10) **Patent No.:** **US D655,956 S**
(45) **Date of Patent:** **** Mar. 20, 2012**

(54) **DISPENSER FOR SHEET MATERIAL HELD
IN ROLLS**

(75) Inventors: **Lisa Wolme**, Trondheim (NO); **Ulrika
Nilsson**, Malmo (SE)

(73) Assignee: **SCA Hygiene Products AB**, Gothenburg
(SE)

(**) Term: **14 Years**

(21) Appl. No.: **29/383,275**

(22) Filed: **Jan. 14, 2011**

(30) **Foreign Application Priority Data**

Jul. 14, 2010 (EM) 001225551-0001

(51) **LOC (9) Cl.** **20-02**

(52) **U.S. Cl.** **D6/518**

(58) **Field of Classification Search** D6/518-523;
206/389, 390, 395; 221/282-283; 312/34.8;
242/570, 560, 590, 597.7, 598; D9/516,
D9/549, 423; D3/294, 318

See application file for complete search history.

(56) **References Cited**

U.S. PATENT DOCUMENTS

D371,708 S * 7/1996 Haley et al. D6/518
D502,740 S * 3/2005 Stoddard et al. D6/518
D512,101 S * 11/2005 Hsu D6/518
D635,805 S * 4/2011 Pleyber et al. D6/518

* cited by examiner

Primary Examiner — Brian N Vinson

(74) *Attorney, Agent, or Firm* — Young & Thompson

(57) **CLAIM**

The ornamental design for a dispenser for sheet material held in rolls, as shown and described.

DESCRIPTION

FIG. 1 is a front, right side and top perspective view of a dispenser for sheet material held in rolls showing our new design;

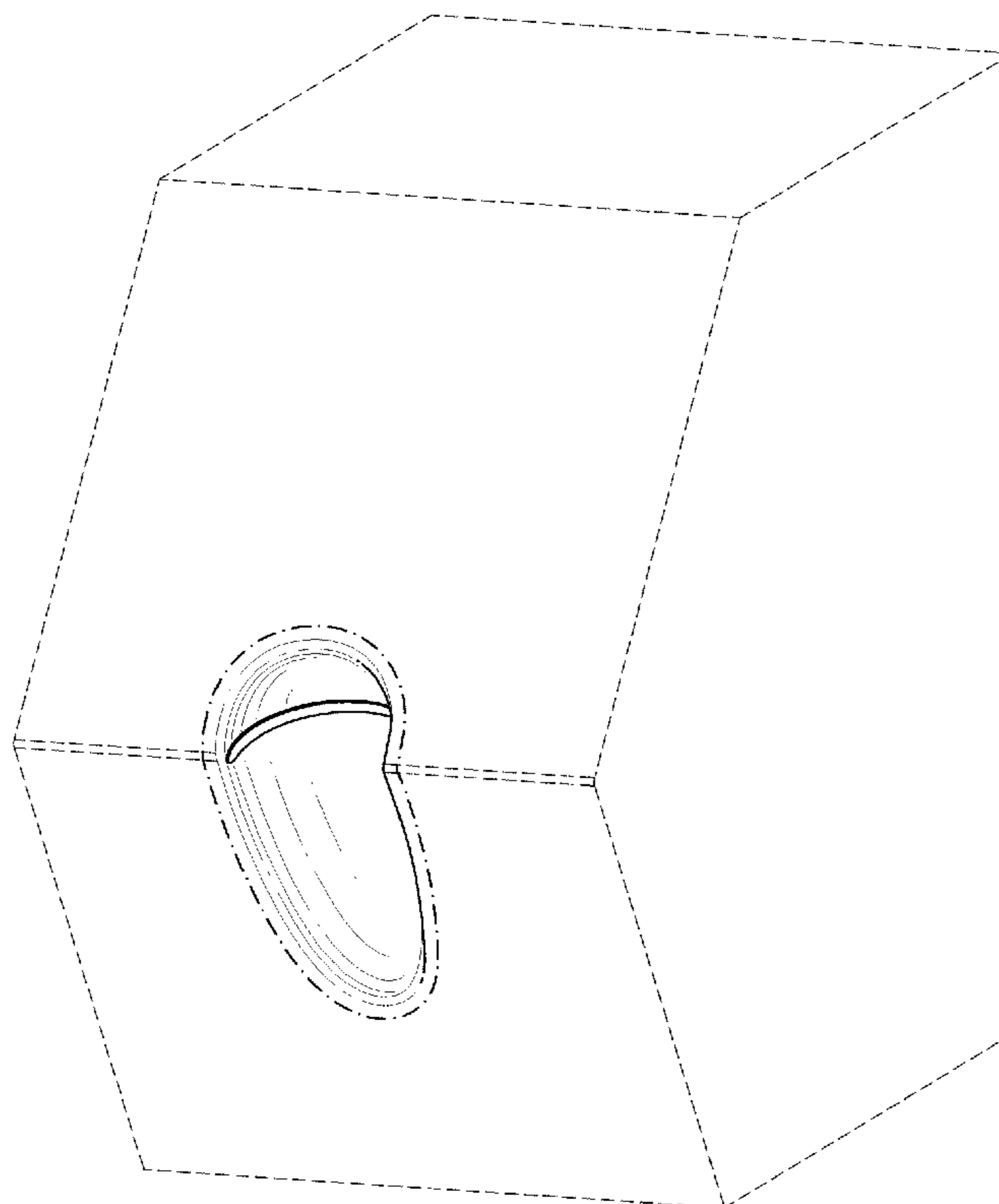
FIG. 2 is a front elevational view thereof;

FIG. 3 is a top plan view thereof; and,

FIG. 4 is a bottom plan view thereof.

The claimed design resides in the dispensing mouth portion of the dispenser which is shown in unbroken lines and provide with surface shading. The broken-line disclosure immediately adjacent to the claimed design is intended to represent an unclaimed boundary between claimed and unclaimed subject matter, and the remaining broken-line disclosure is understood to represent portions of the article in which the claimed design is embodied, but which forms no part of the claimed design.

1 Claim, 3 Drawing Sheets



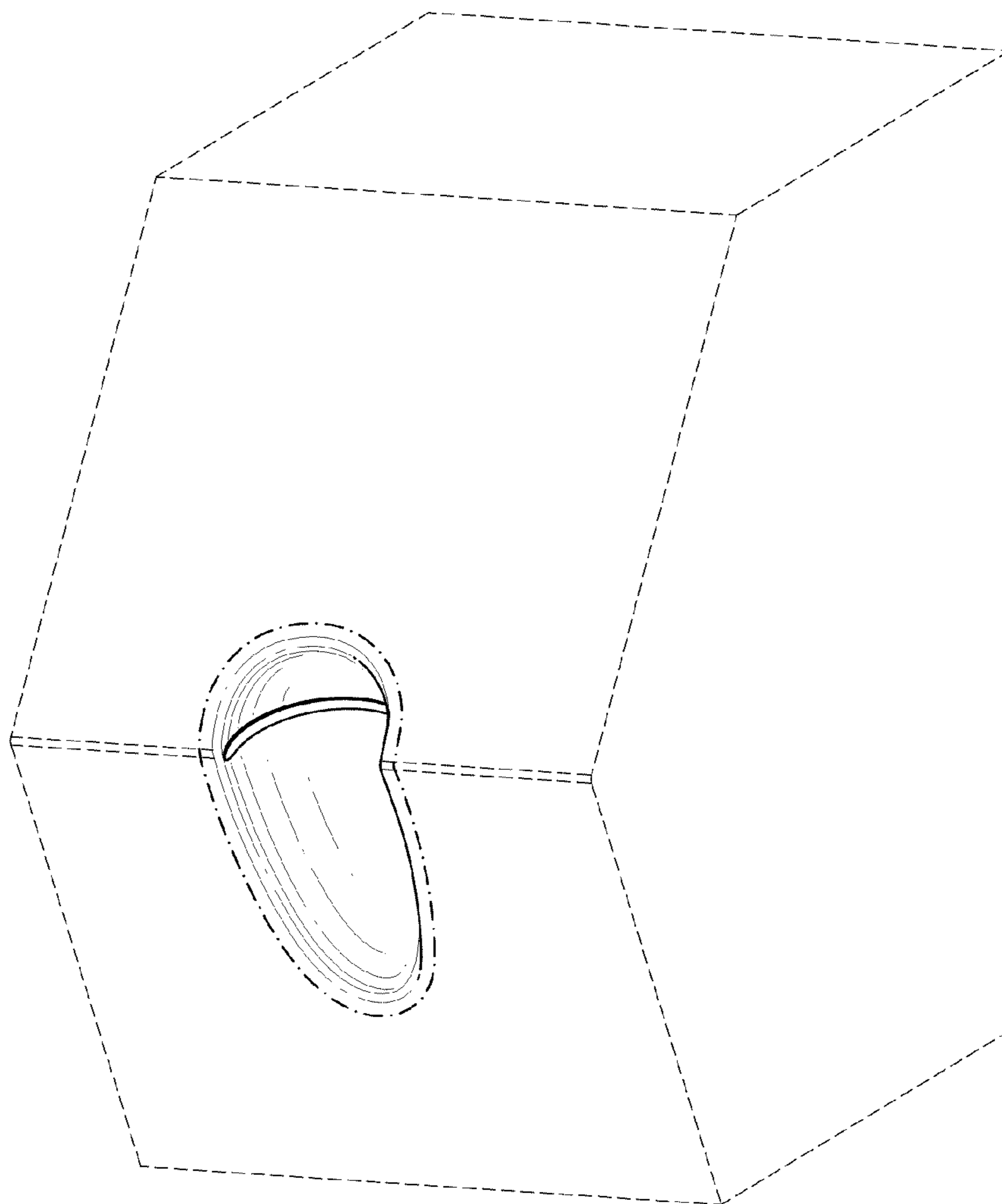


FIG. 1

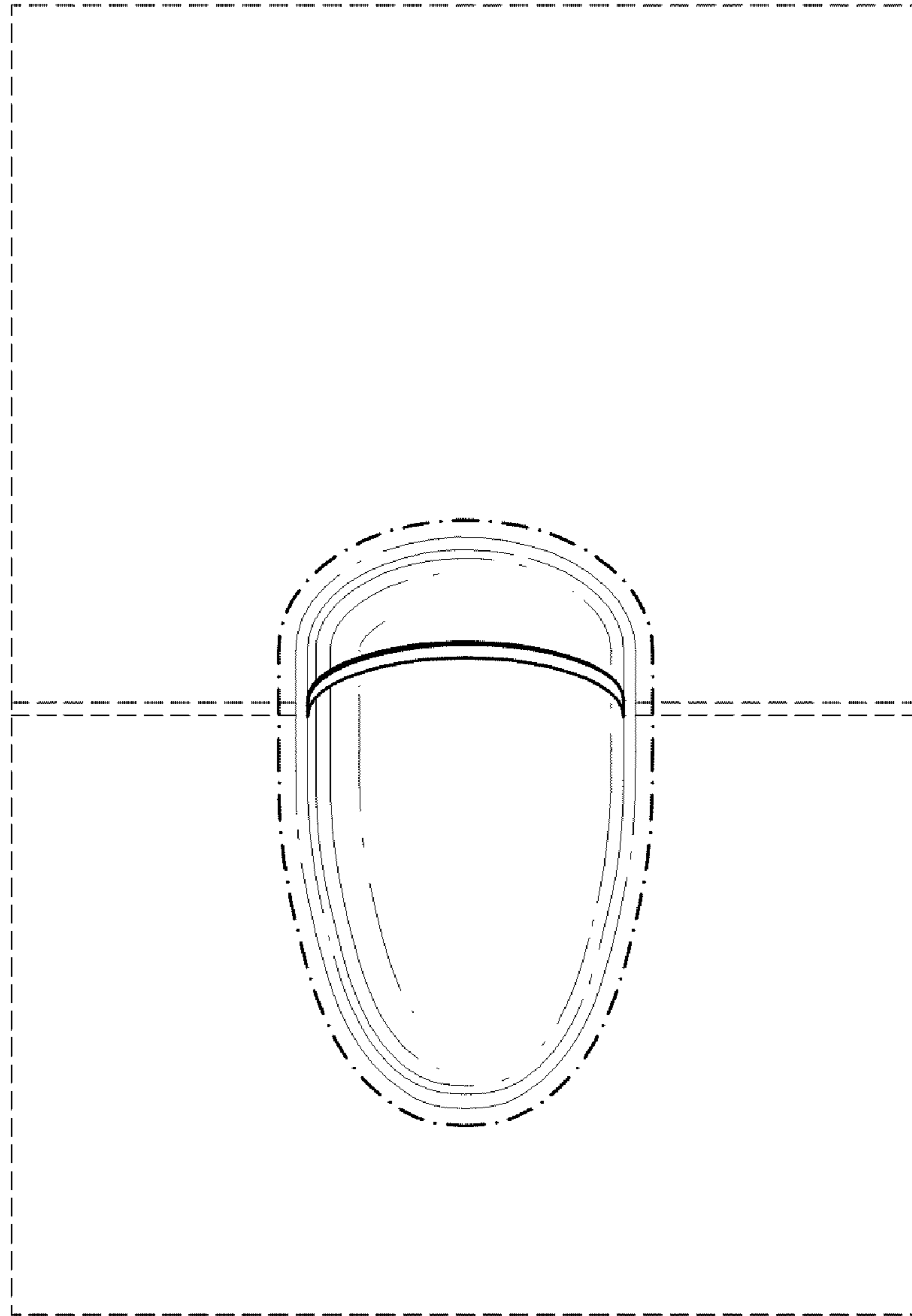


FIG. 2

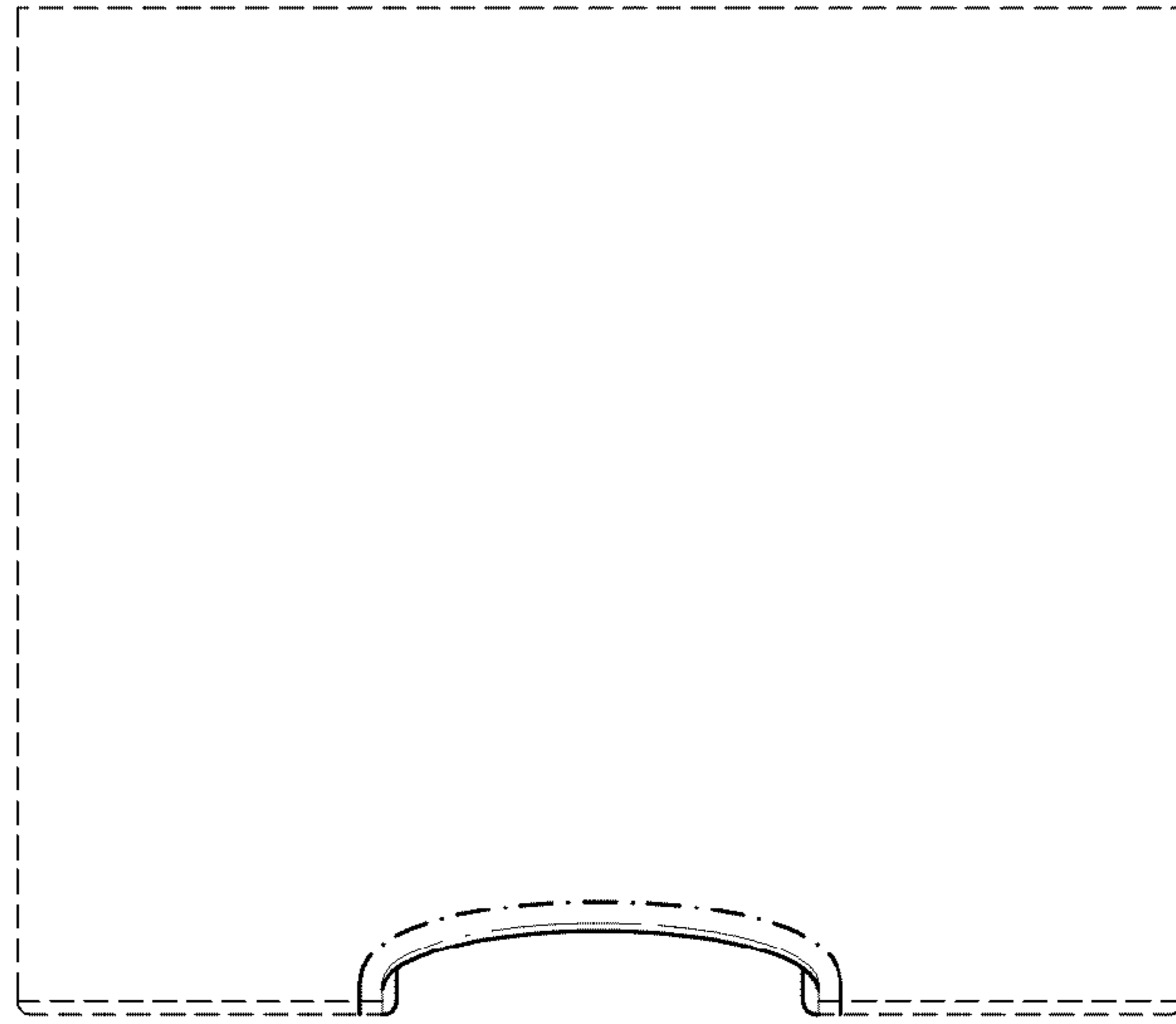


FIG. 3

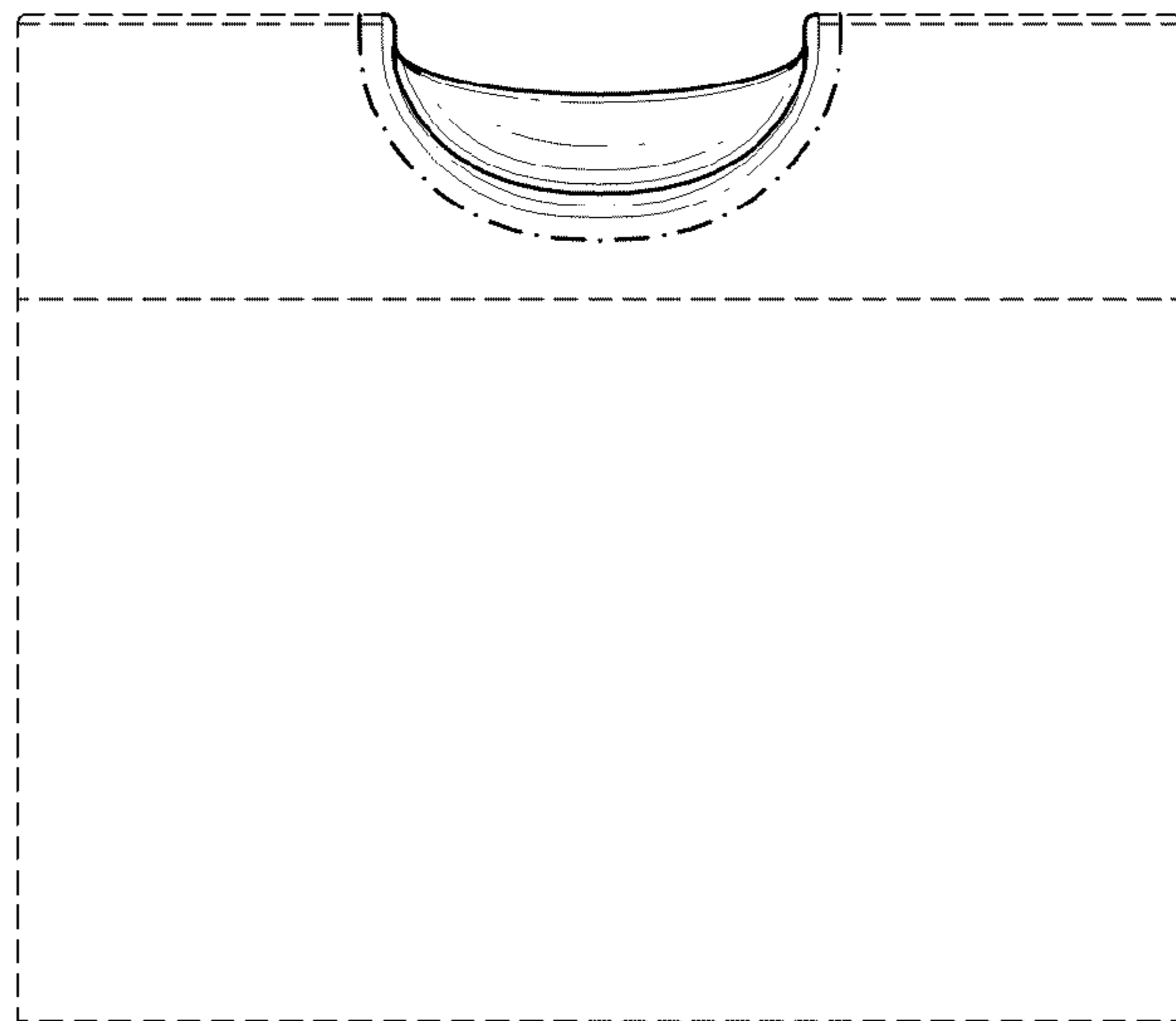


FIG. 4