



US00D655954S

(12) **United States Design Patent**
Gorovitz

(10) **Patent No.:** **US D655,954 S**
(45) **Date of Patent:** **** Mar. 20, 2012**

(54) **ARM REST**

(76) Inventor: **Marvin Gorovitz**, Philadelphia, PA (US)

(**) Term: **14 Years**

(21) Appl. No.: **29/395,107**

(22) Filed: **Nov. 23, 2011**

(51) **LOC (9) Cl.** **06-01**

(52) **U.S. Cl.** **D6/501**

(58) **Field of Classification Search** D6/334–336,
D6/361, 367, 368, 371–373, 374, 375, 376,
D6/379, 380, 500, 501, 502; 297/16.1, 35,
297/188.04, 188.14, 188.15, 188.16, 411.2,
297/411.27, 411.28

See application file for complete search history.

(56) **References Cited**

U.S. PATENT DOCUMENTS

D175,596 S *	9/1955	Hampshire	D6/335
D311,105 S *	10/1990	Stern et al.	D6/501
D358,956 S *	6/1995	Mitjans	D6/501
D361,915 S *	9/1995	Zinnbauer	D6/501
D376,060 S *	12/1996	Cohen	D6/501
6,942,289 B2 *	9/2005	McBride	297/180.15
7,243,991 B2 *	7/2007	Ojeda	297/188.14
D633,311 S *	3/2011	Peguero	D6/368
D645,681 S *	9/2011	Grell	D6/501
D648,148 S *	11/2011	Henry	D6/368

* cited by examiner

Primary Examiner — Mimosa De

(74) *Attorney, Agent, or Firm* — Stuart M. Goldstein

(57) **CLAIM**

The ornamental design for an arm rest, as shown and described.

DESCRIPTION

FIG. 1 is a perspective view of two arm rests of the present invention mounted on a chair; one arm rest in a fully open position and the other arm rest partially pivoted up.

FIG. 2 is a perspective view of two arm rests of the present invention mounted on a chair, one arm rest in a fully open position and the other arm rest pivoted closed.

FIG. 3 is a top perspective view of the arm rest of the present invention in the open position.

FIG. 4 is a bottom perspective view of the arm rest of the present invention in the open position.

FIG. 5 is a bottom view of the arm rest of the present invention in the open position.

FIG. 6 is a top view of the arm rest of the present invention in the open position.

FIG. 7 is a side elevation view of the arm rest of the present invention in the open position.

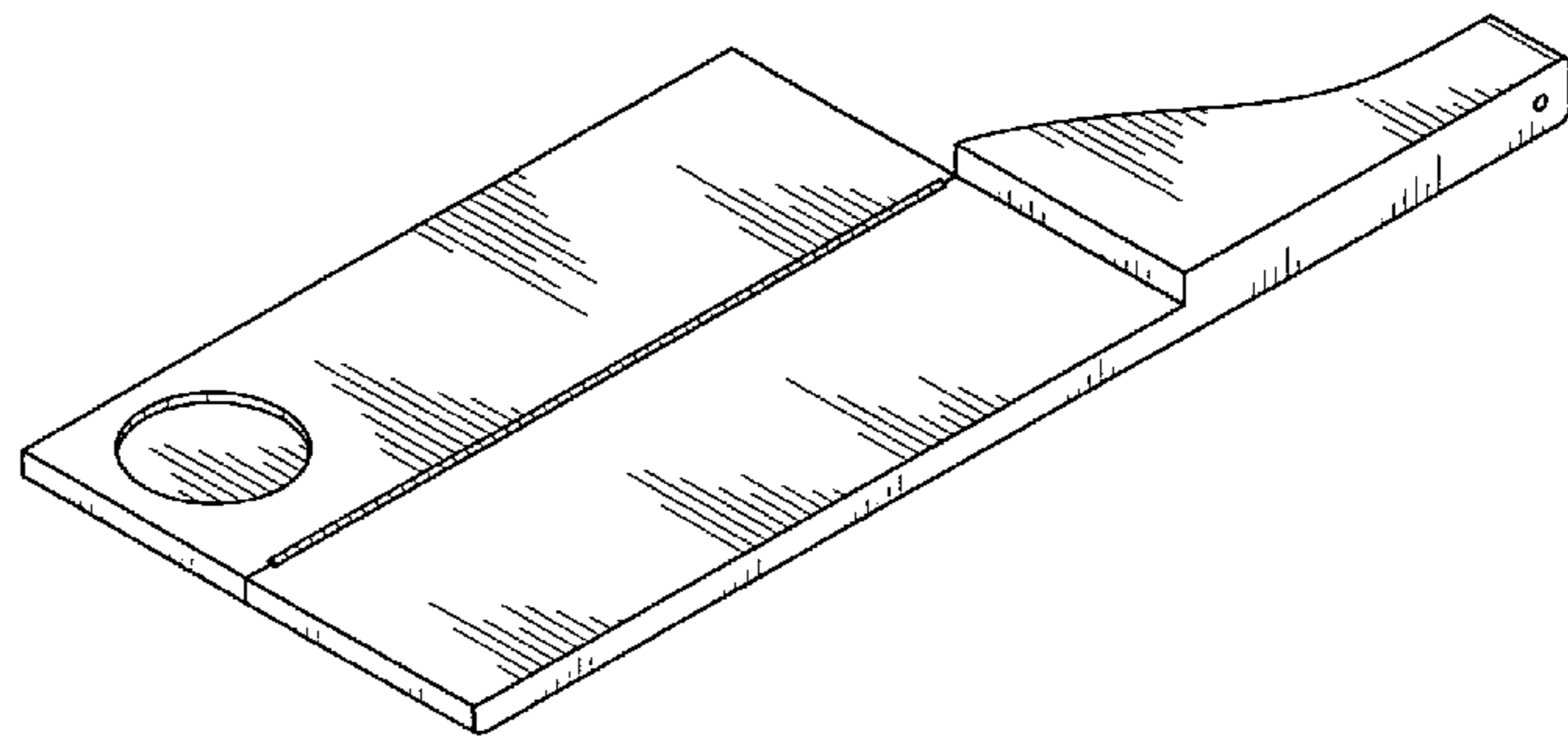
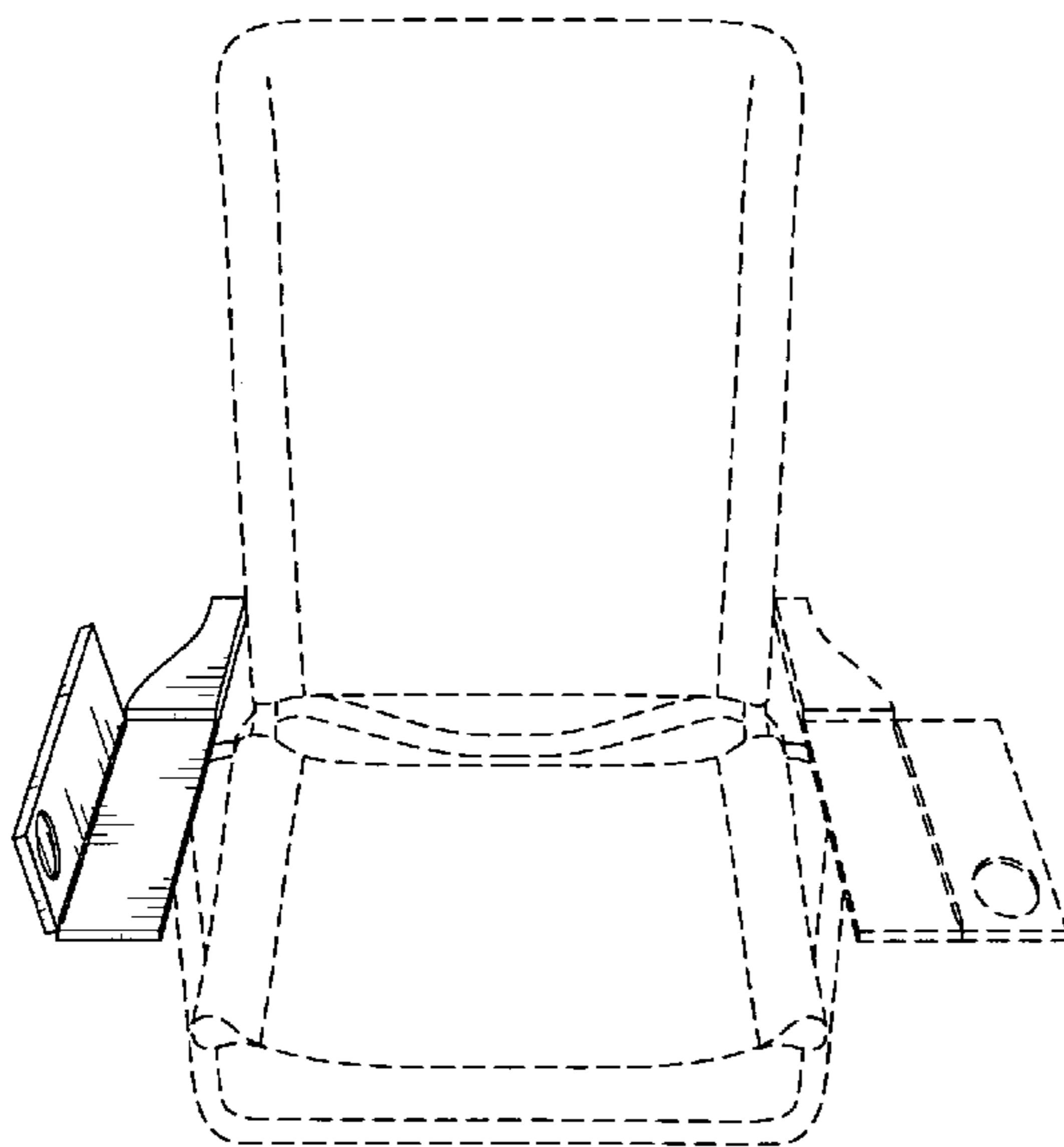
FIG. 8 is the opposite side elevation view of the arm rest of the present invention in the open position.

FIG. 9 is a front view of the arm rest of the present invention in the open position; and,

FIG. 10 is a rear view of the arm rest of the present invention in the open position.

The broken lines showing a chair on which the arm rest of the present invention are mounted are included for the purpose of illustrating use and environment and form no part of the claim design.

1 Claim, 7 Drawing Sheets



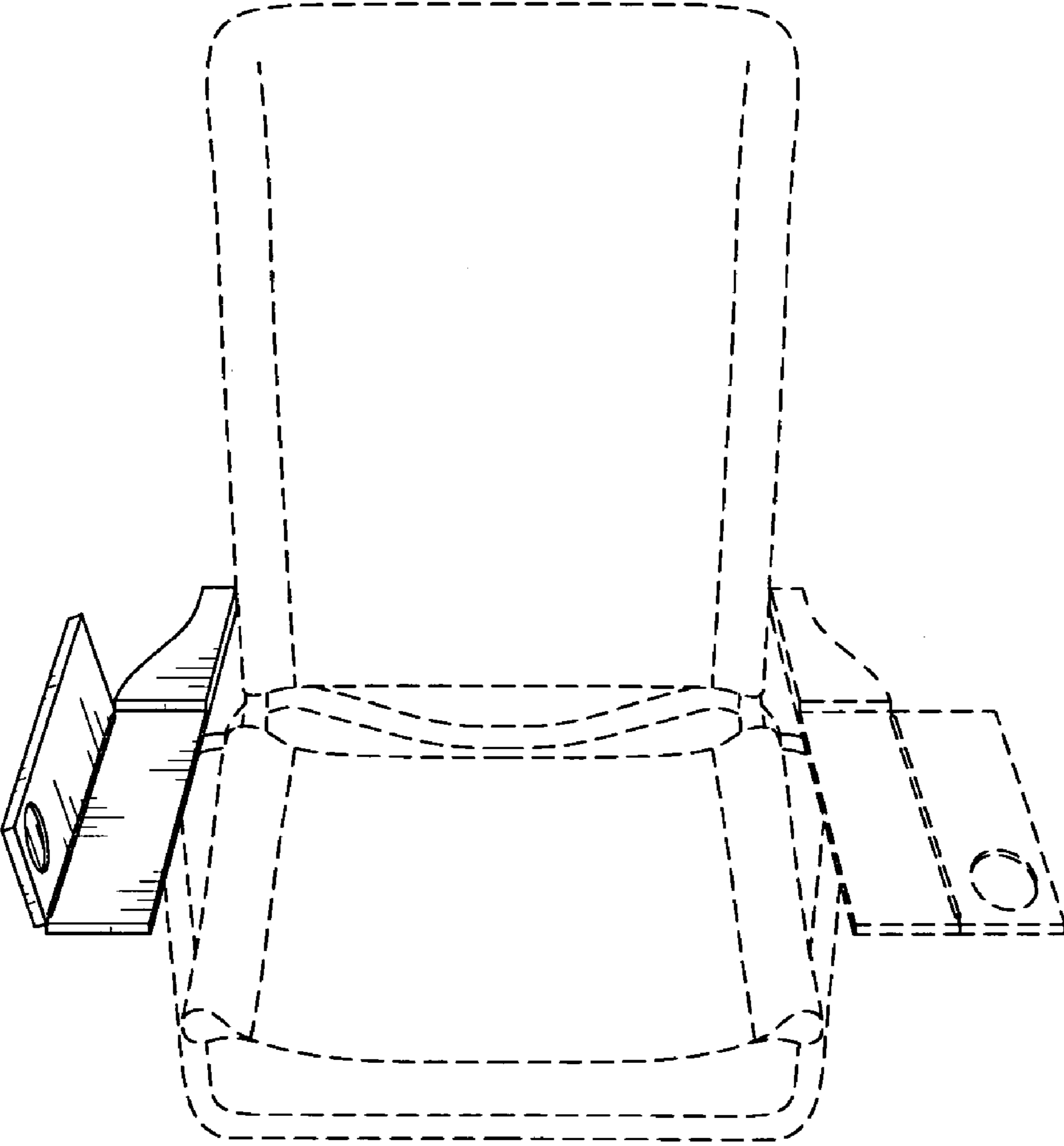


FIG. 1

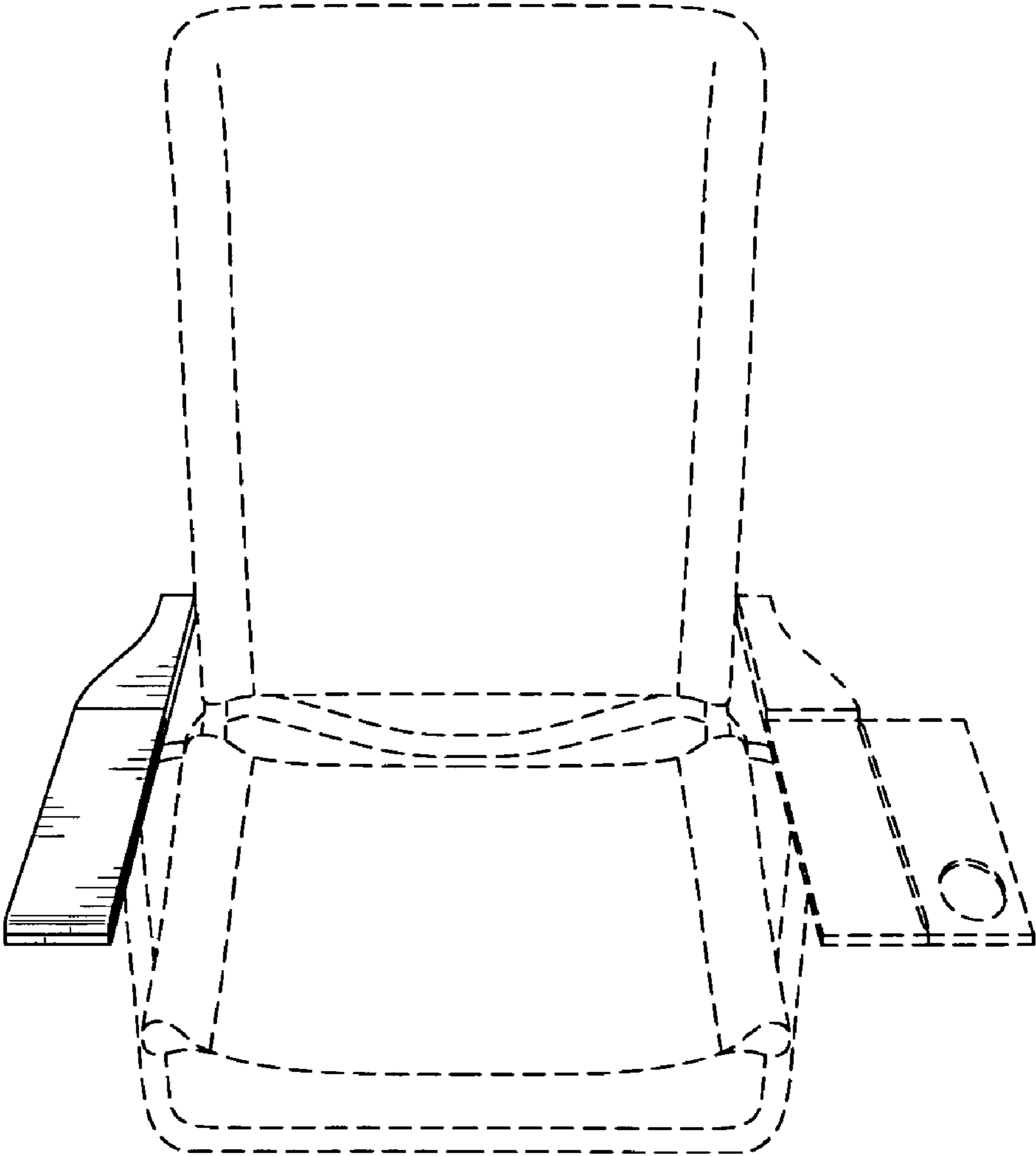


FIG. 2

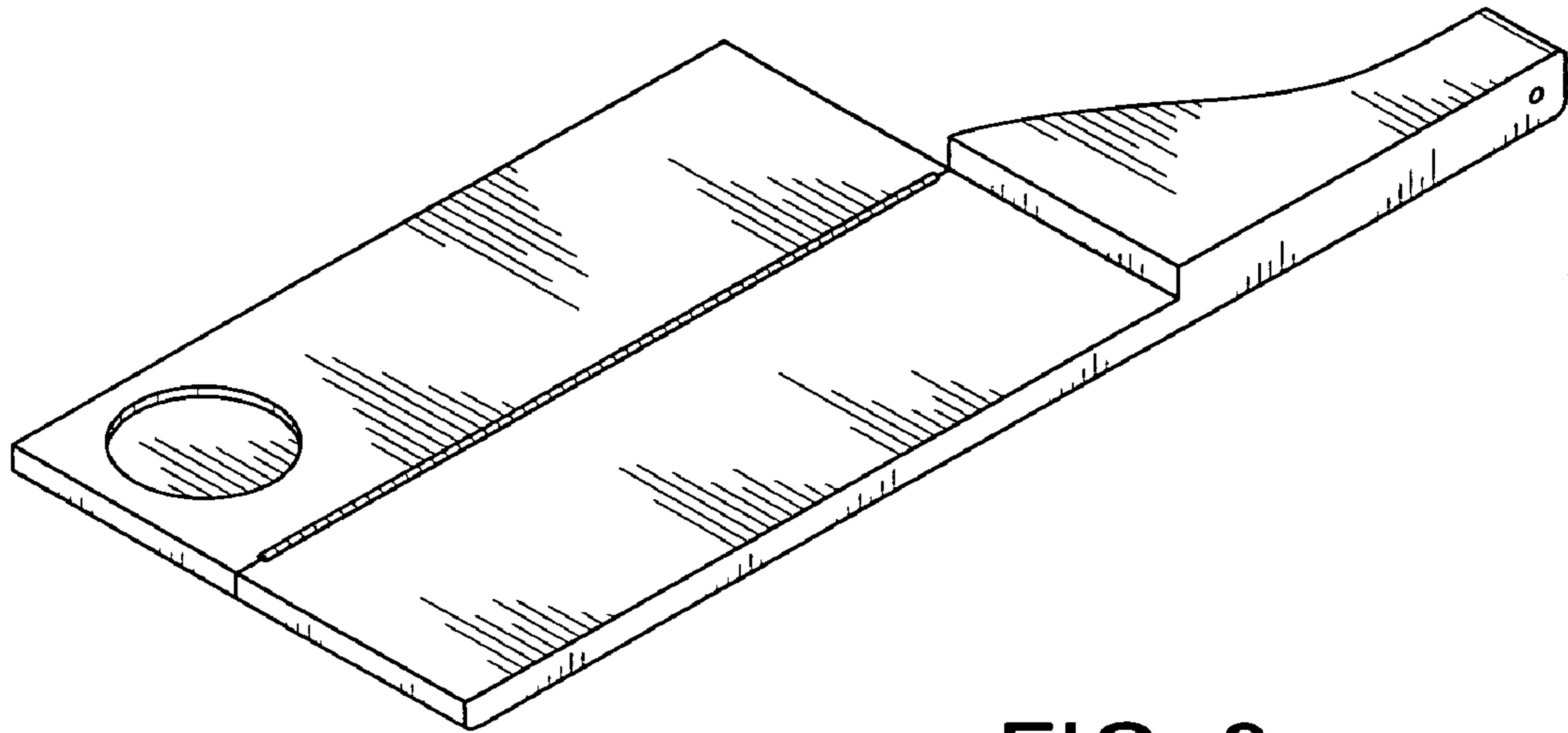


FIG. 3

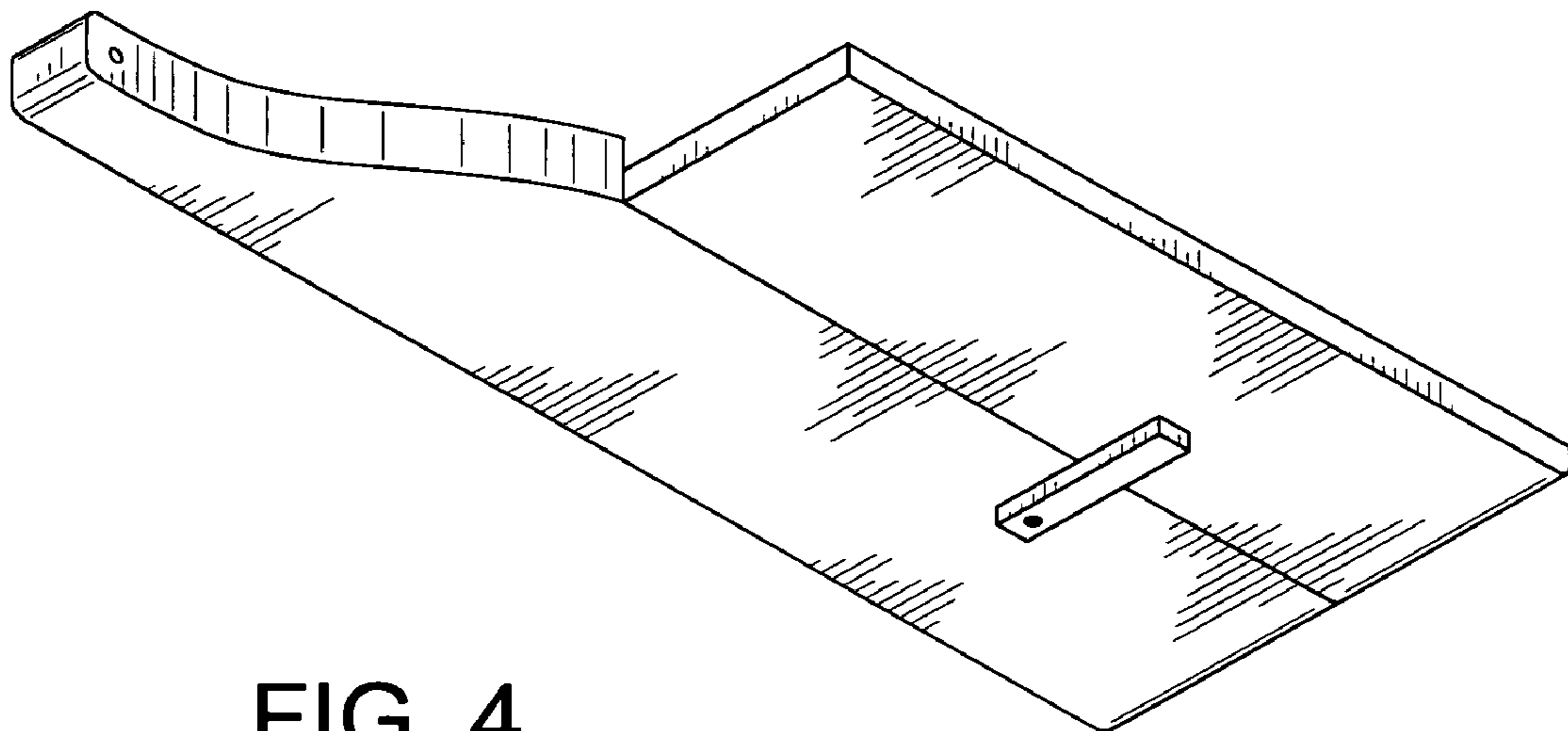


FIG. 4

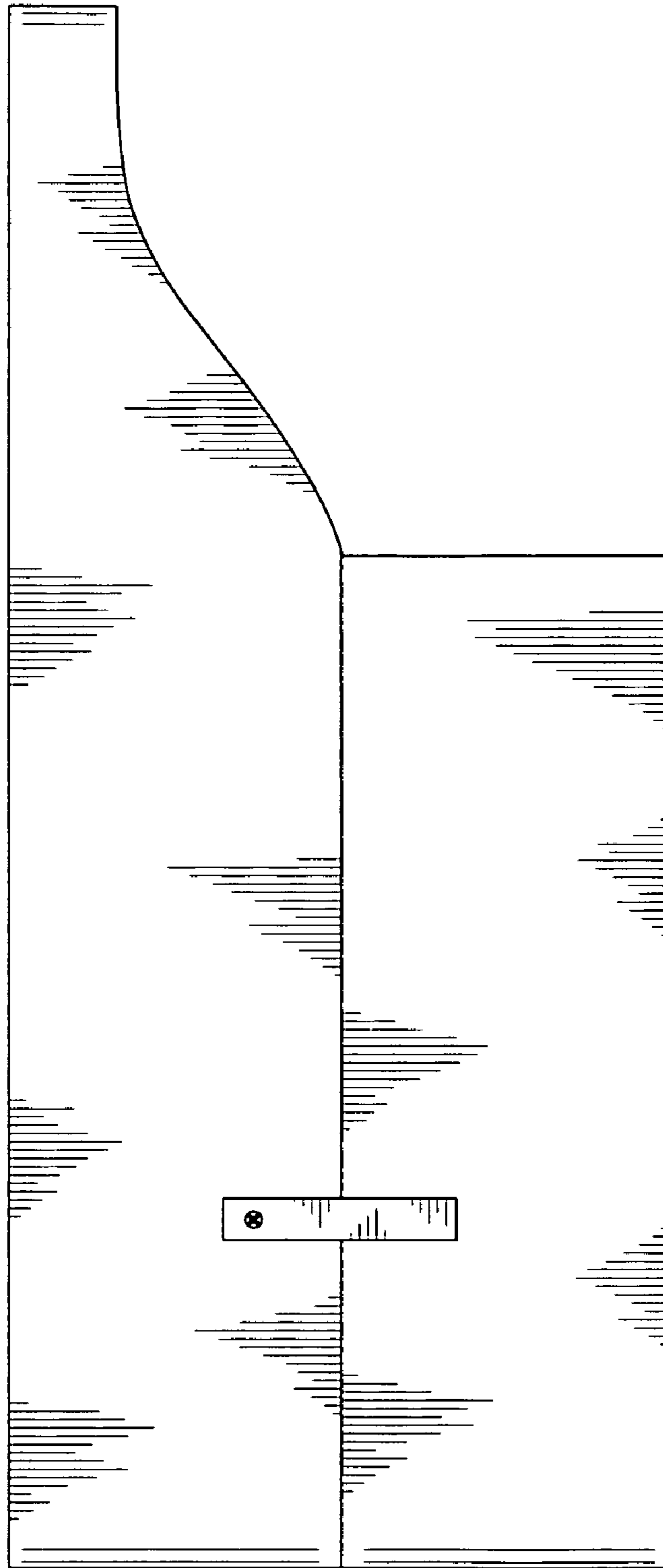


FIG. 5

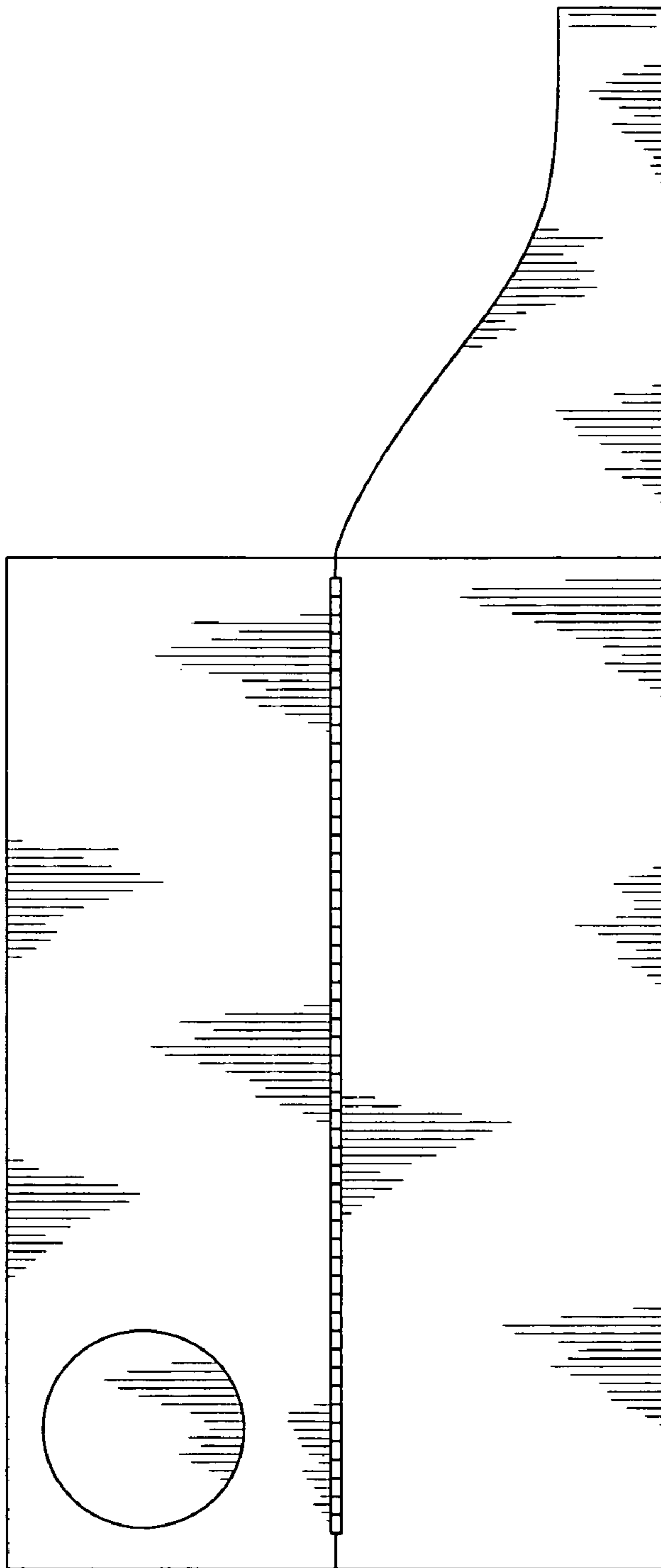


FIG. 6

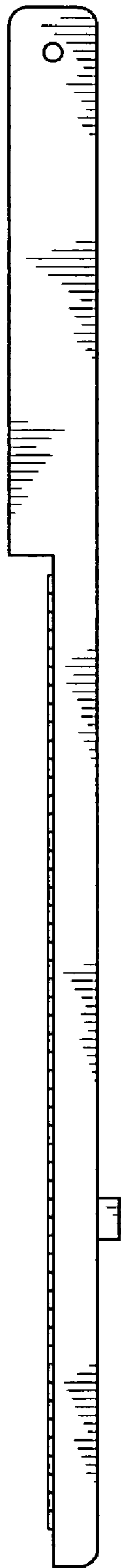


FIG. 7

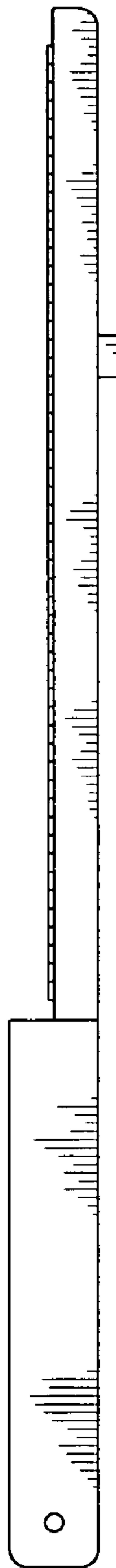


FIG. 8

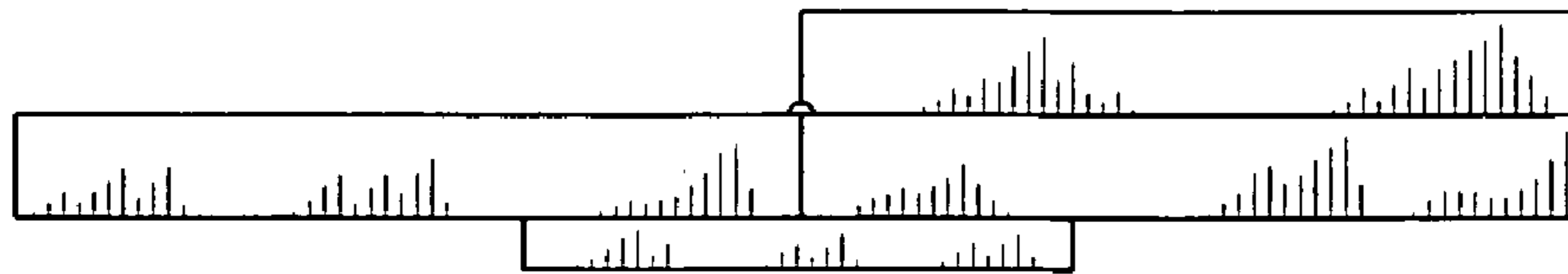


FIG. 9

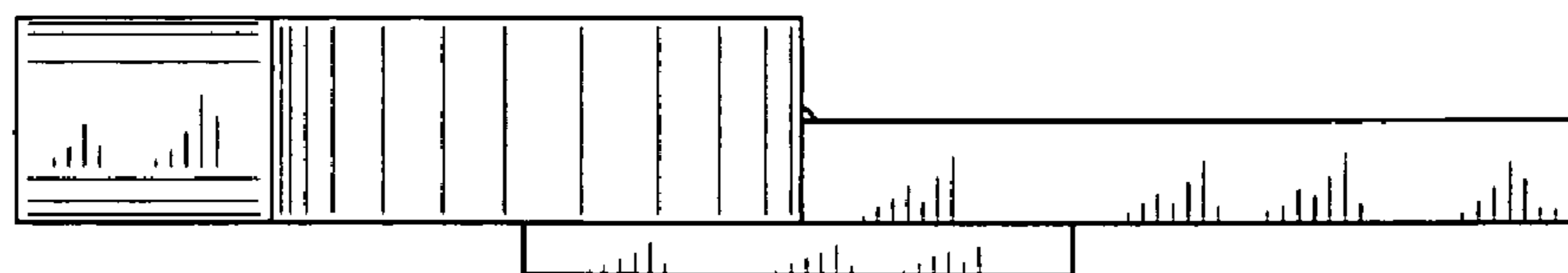


FIG. 10