



US00D655953S

(12) **United States Design Patent**
Hughes et al.

(10) **Patent No.:** **US D655,953 S**
(45) **Date of Patent:** **** Mar. 20, 2012**

(54) **CHAIR**

(75) Inventors: **Joshua A. Hughes**, Delano, MN (US);
Stephanie A. Grotta, Minneapolis, MN
(US); **Sara L. Pedersen**, Minneapolis,
MN (US); **Daniel J. Hoyord**, St. Paul,
MN (US)

(73) Assignee: **Target Brands, Inc.**, Minneapolis, MN
(US)

(**) Term: **14 Years**

(21) Appl. No.: **29/398,374**

(22) Filed: **Jul. 29, 2011**

(51) **LOC (9) Cl.** **06-01**

(52) **U.S. Cl.** **D6/500; D6/370**

(58) **Field of Classification Search** D6/334-336,
D6/369, 370, 371-373, 374, 375, 376, 379,
D6/380, 381, 492, 500-502; 297/232, 411.43,
297/445.1, 446.1, 452.63

See application file for complete search history.

(56) **References Cited**

U.S. PATENT DOCUMENTS

D338,783 S	8/1993	de Armas	
D340,364 S	* 10/1993	Caldwell	D6/370
D366,774 S	2/1996	Frinier	
D399,666 S	* 10/1998	Muller	D6/370
D399,667 S	10/1998	Muller	
D419,323 S	1/2000	Muller	
D419,324 S	* 1/2000	Muller	D6/370

(Continued)

OTHER PUBLICATIONS

Gloster Furniture, "Ventura," 1 page, <http://www.gloster.com/us/en/collection/ventura/383/383?print> (last visited on May 23, 2011).

(Continued)

Primary Examiner — Mimosa De

(74) *Attorney, Agent, or Firm* — Leanne Taveggia Farrell;
Westman, Champlin & Kelly, P.A.

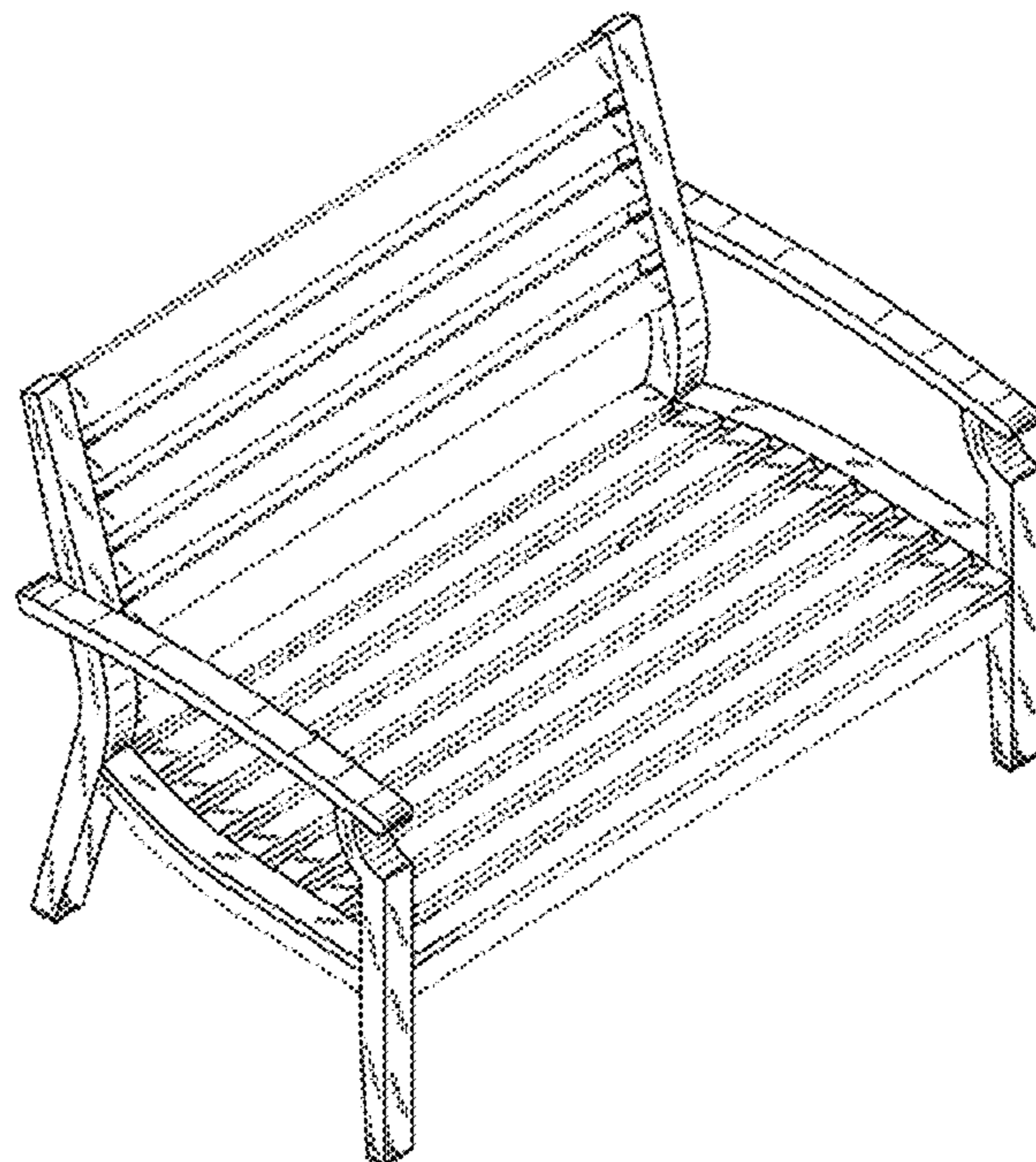
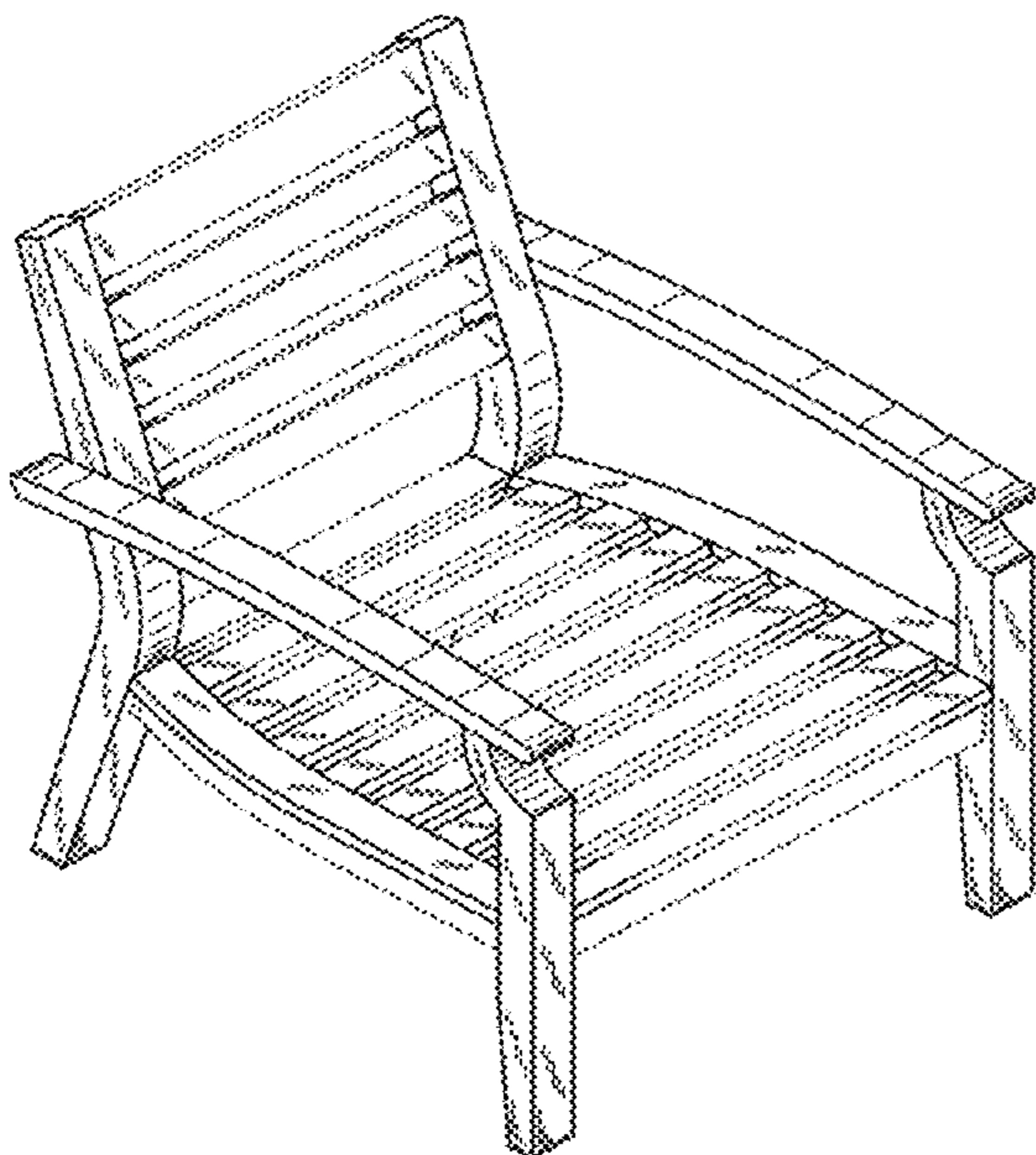
(57) **CLAIM**

The ornamental design for a chair, as shown and described.

DESCRIPTION

FIG. 1 is a perspective view of a first embodiment of the chair; FIG. 2 is a front view of the chair illustrated in FIG. 1; FIG. 3 is a back view of the chair illustrated in FIG. 1; FIG. 4 is a left side view of the chair illustrated in FIG. 1; FIG. 5 is a right side view of the chair illustrated in FIG. 1; FIG. 6 is a top view of the chair illustrated in FIG. 1; FIG. 7 is a bottom view of the chair illustrated in FIG. 1; FIG. 8 is a perspective view of a second embodiment of the chair; FIG. 9 is front view of the chair illustrated in FIG. 8; FIG. 10 is a back view of the chair illustrated in FIG. 8; FIG. 11 is a left side view of the chair illustrated in FIG. 8; FIG. 12 is a right side view of the chair illustrated in FIG. 8; FIG. 13 is a top view of the chair illustrated in FIG. 8; and, FIG. 14 is a bottom view of the chair illustrated in FIG. 8. The dashed lines in FIGS. 1-14 form no part of the claimed design.

1 Claim, 14 Drawing Sheets



U.S. PATENT DOCUMENTS

D425,718 S	5/2000	van Valderen	
D430,748 S *	9/2000	Chalmers et al.	D6/370
D439,080 S *	3/2001	Chalmers et al.	D6/500
D446,399 S	8/2001	Slear	
D449,745 S	10/2001	Slear	
D457,342 S	5/2002	Muller	
D472,741 S *	4/2003	Perpich	D6/492
D498,938 S	11/2004	Kingsley et al.	
D525,799 S	8/2006	Lowsky	
D572,494 S *	7/2008	Lowsky	D6/370
D589,273 S	3/2009	Fairbanks	
D589,274 S	3/2009	Fairbanks	
D591,523 S	5/2009	White, III et al.	
D599,128 S	9/2009	White, III et al.	

OTHER PUBLICATIONS

SeatingExpert.com, "Italian Wood Back Side Chair," pp. 1-3, <http://www.seatingexpert.com/Proddet.asp?ProdID=699&category=2&se> (last visited on May 24, 2011).

Nautical Decorator, "Stackable Solid Teak Wood Arm Chair," 1 page, <http://www.nauticaldecorator.com/ivg2/y/productid-25810-stackable-tea...> (last visited on May 24, 2011).

Restoration Hardware, "Santa Monica Armchair," pp. 1-2, <http://www.restorationhardware.com/catalog/product/product.jsp?productId=prod1433058> (last visited on Jul. 28, 2011).

Target, "Smith & Hawken Avignon Teak Chair," pp. 1-3, http://www.target.com/Smith-Hawken-Avignon-Teak-Chair/dp/B0042CRSMK/ref=sr_1_4?ie=UTF8&searchView=grid5&keywords=teak%20chair&fromGsearch=true&sr=1-4&qid=1311877072&rh=&searchRank=target104545&id=Smith%20Hawken%20Avignon%20Teak%20Chair&node=103857611287991011&searchSize=30&searchPage=1&searchNodeID=103857611287991011&searchBinNameList=subjectbin.

Carsmach, "Solid Tropical Hardwood Design Seating Patio Furniture Set Collection," pp. 1-3, <http://carsmach.com/solid-tropical-hardwood-design-seating-patio-furniture-set-collection/outdoor-wooden-armchair-design-seating-furniture/> (last visited May 24, 2011).

* cited by examiner

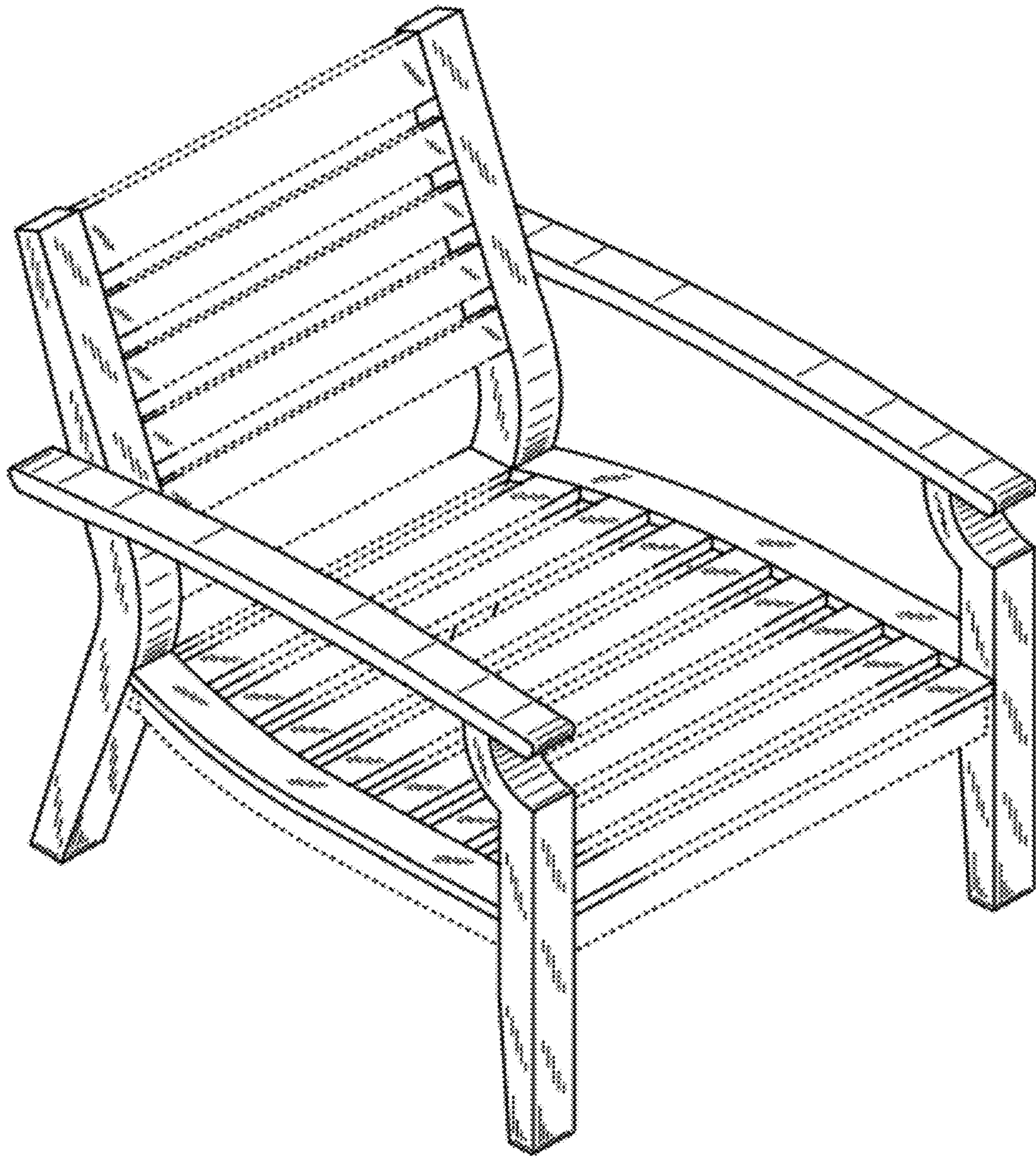


Fig. 1

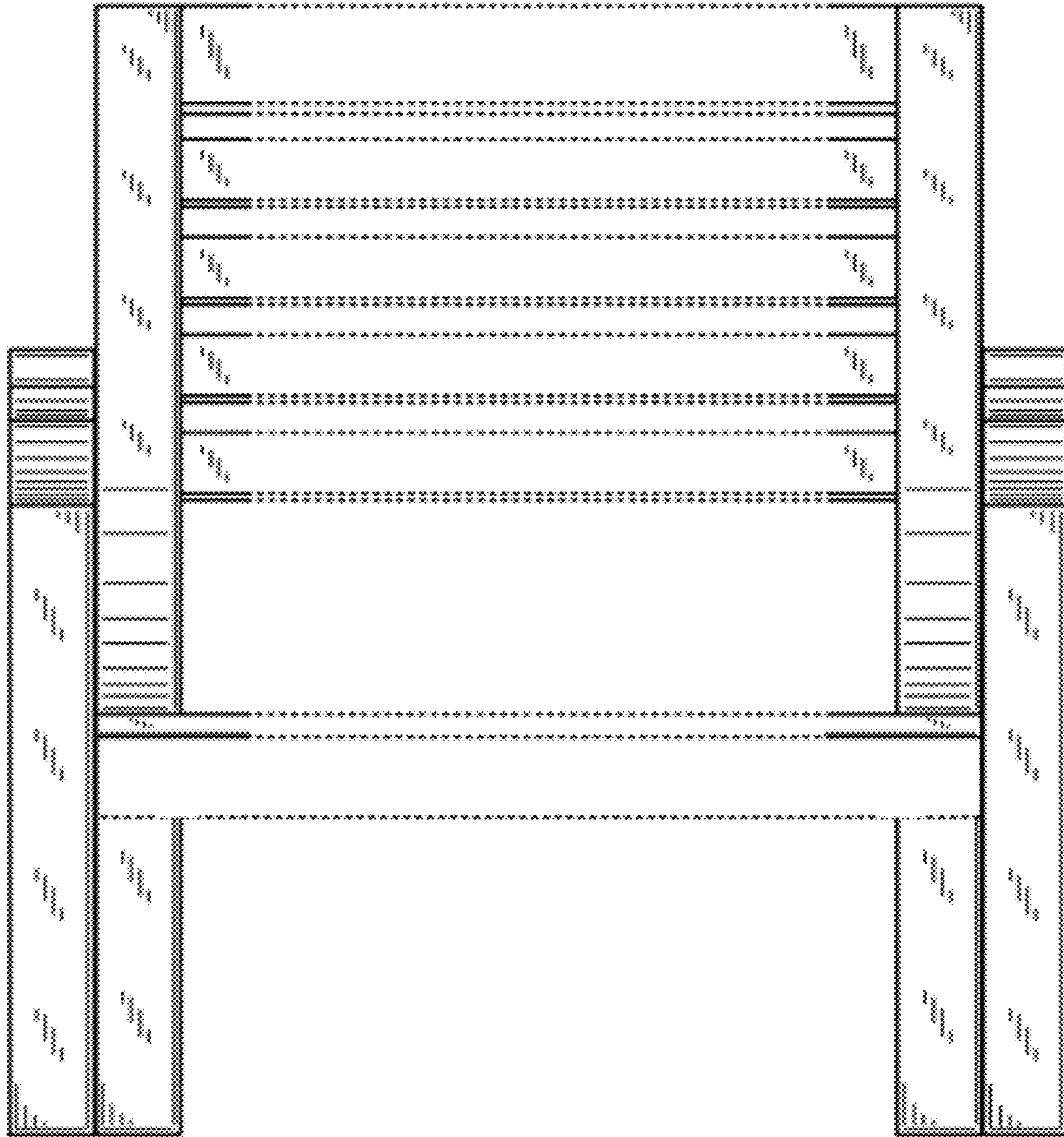


Fig. 2

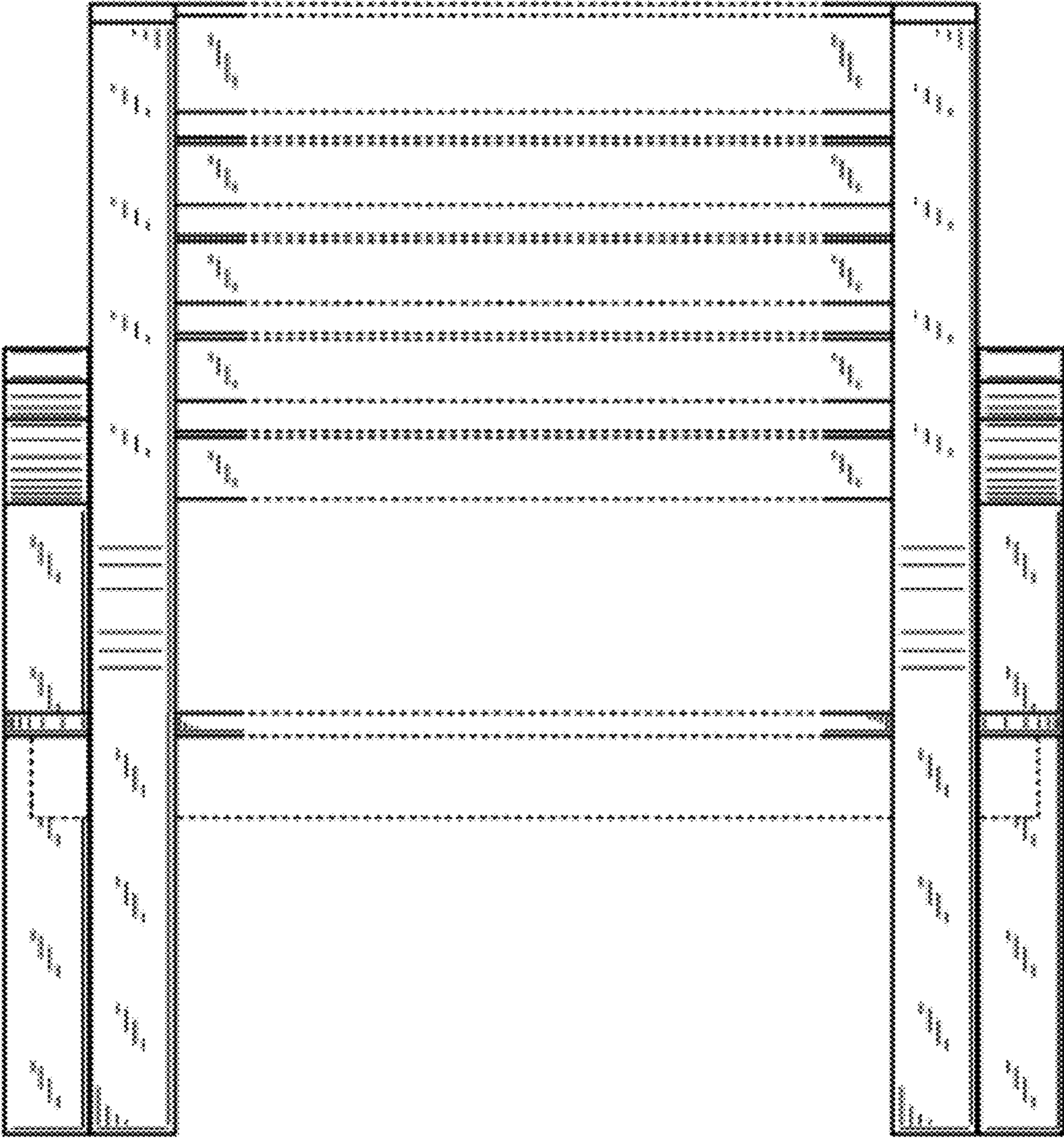


Fig. 3

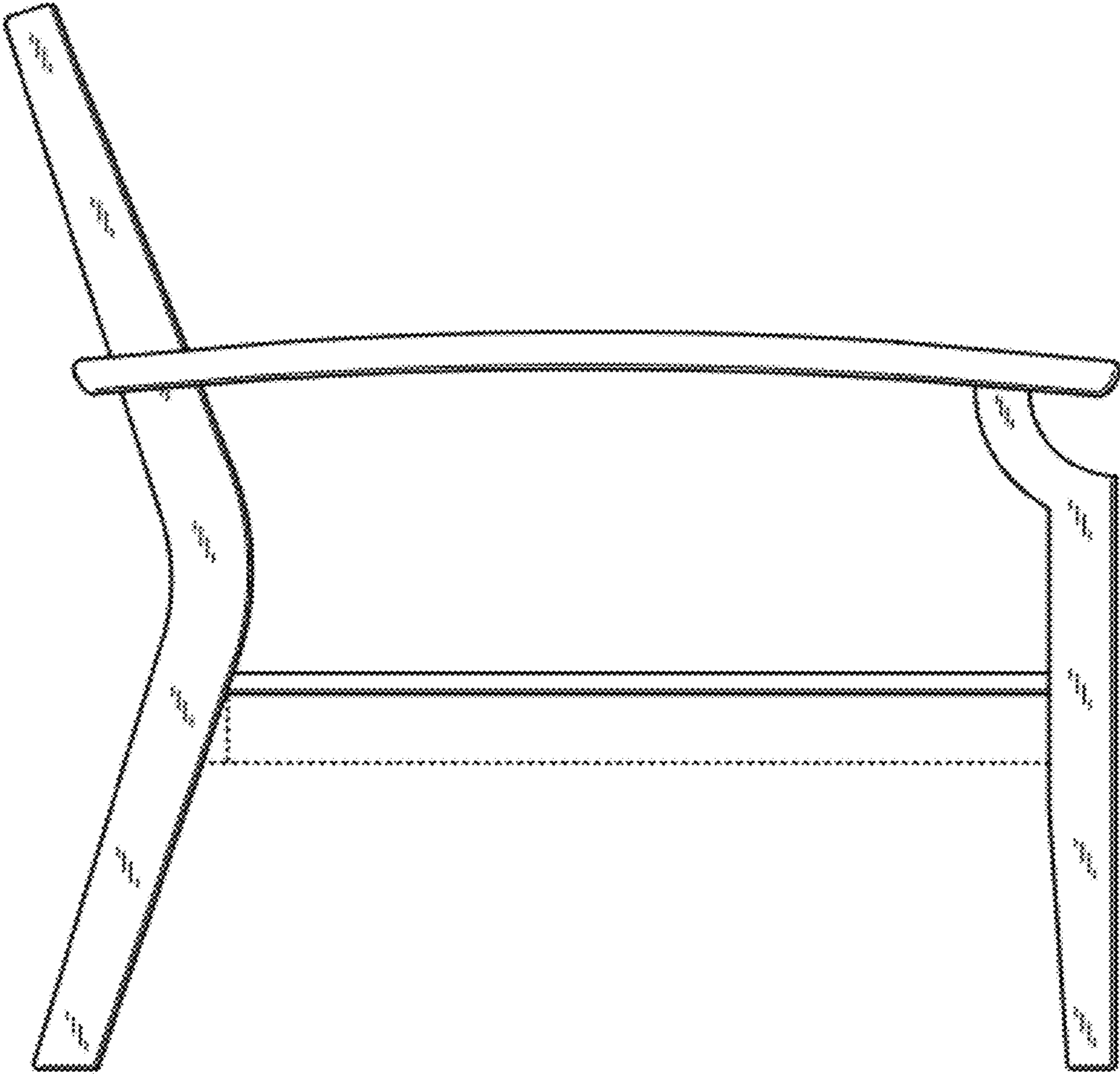


Fig. 4

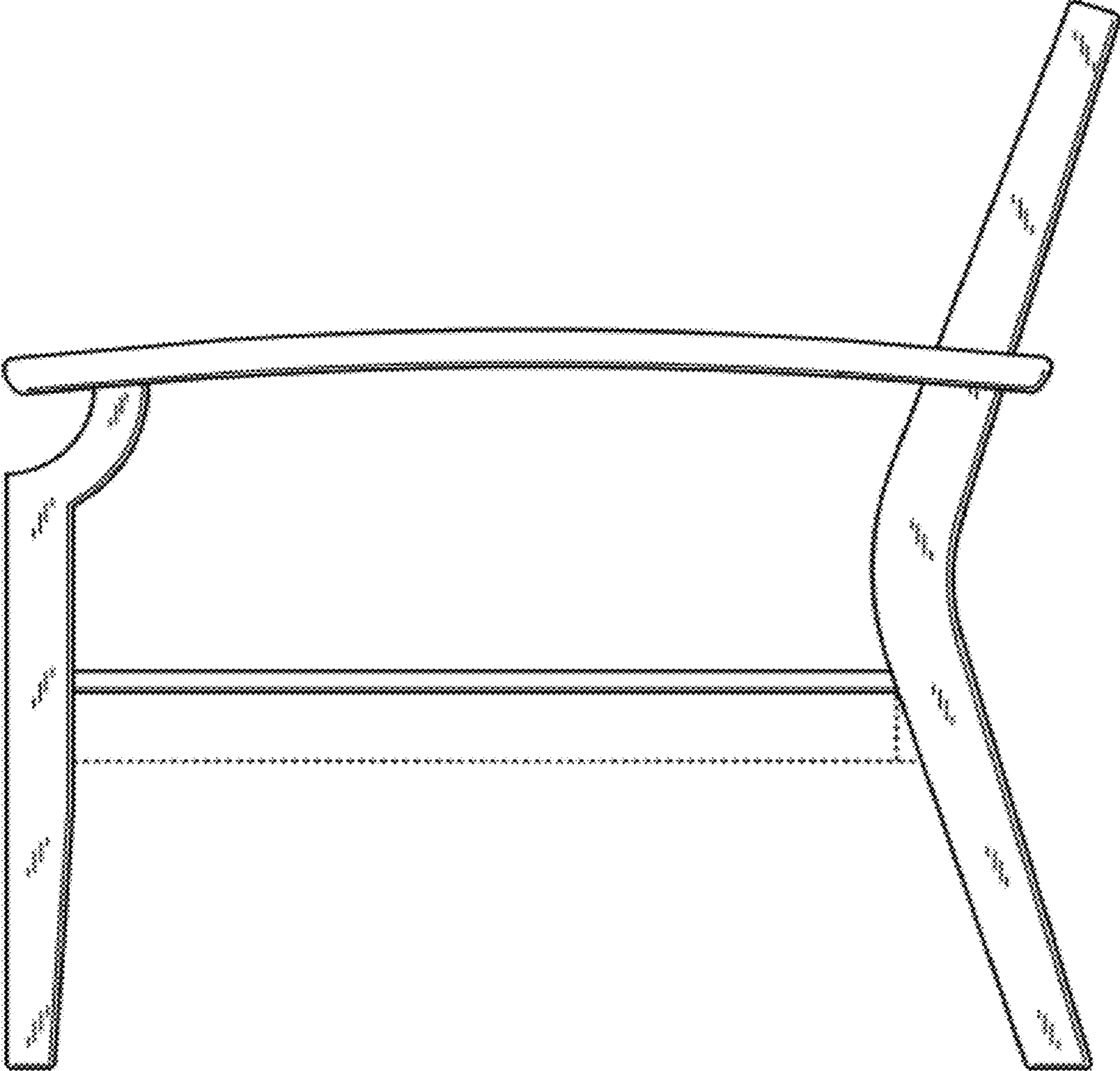


Fig. 5

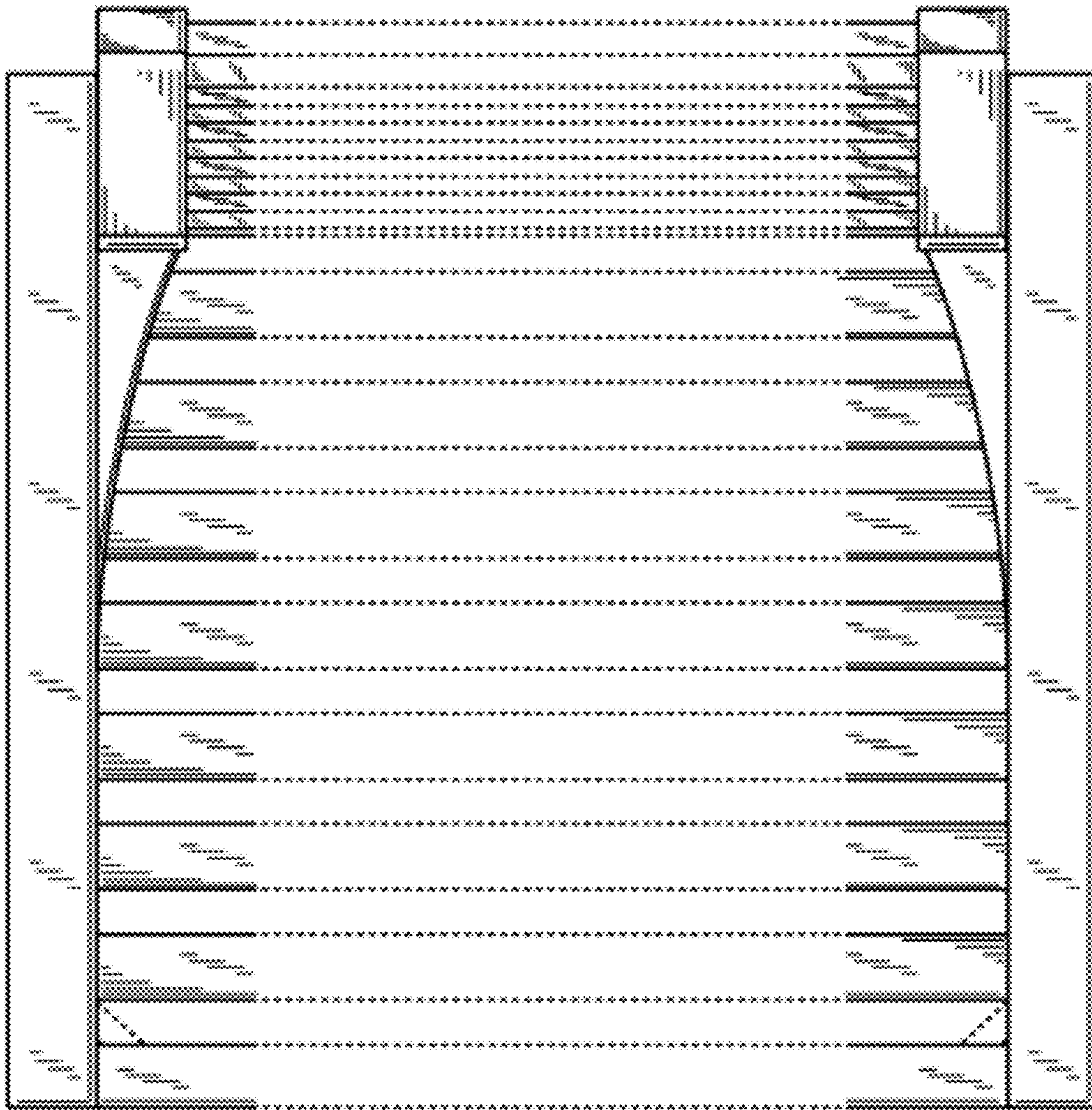


Fig. 6

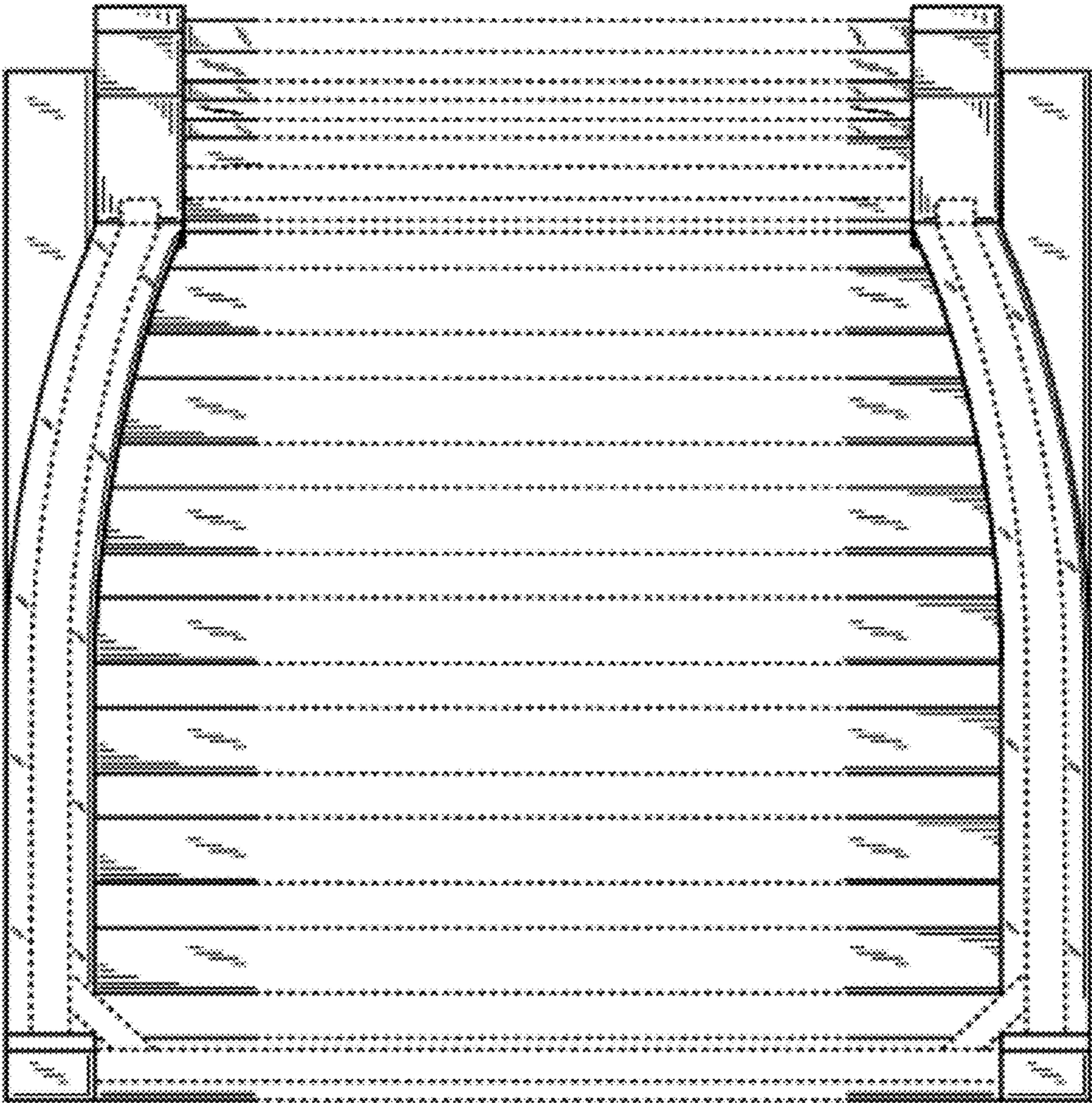


Fig. 7

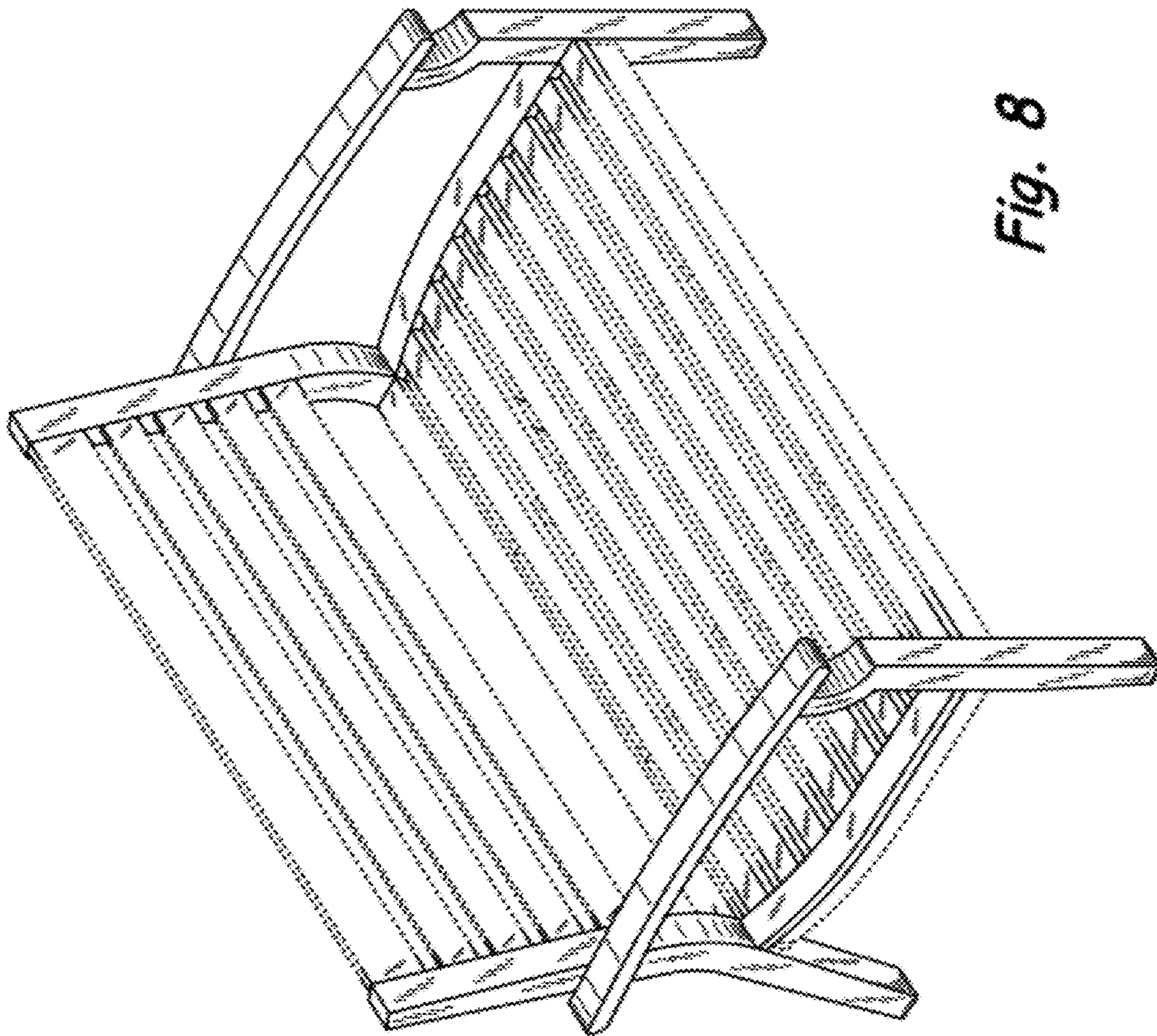


Fig. 8

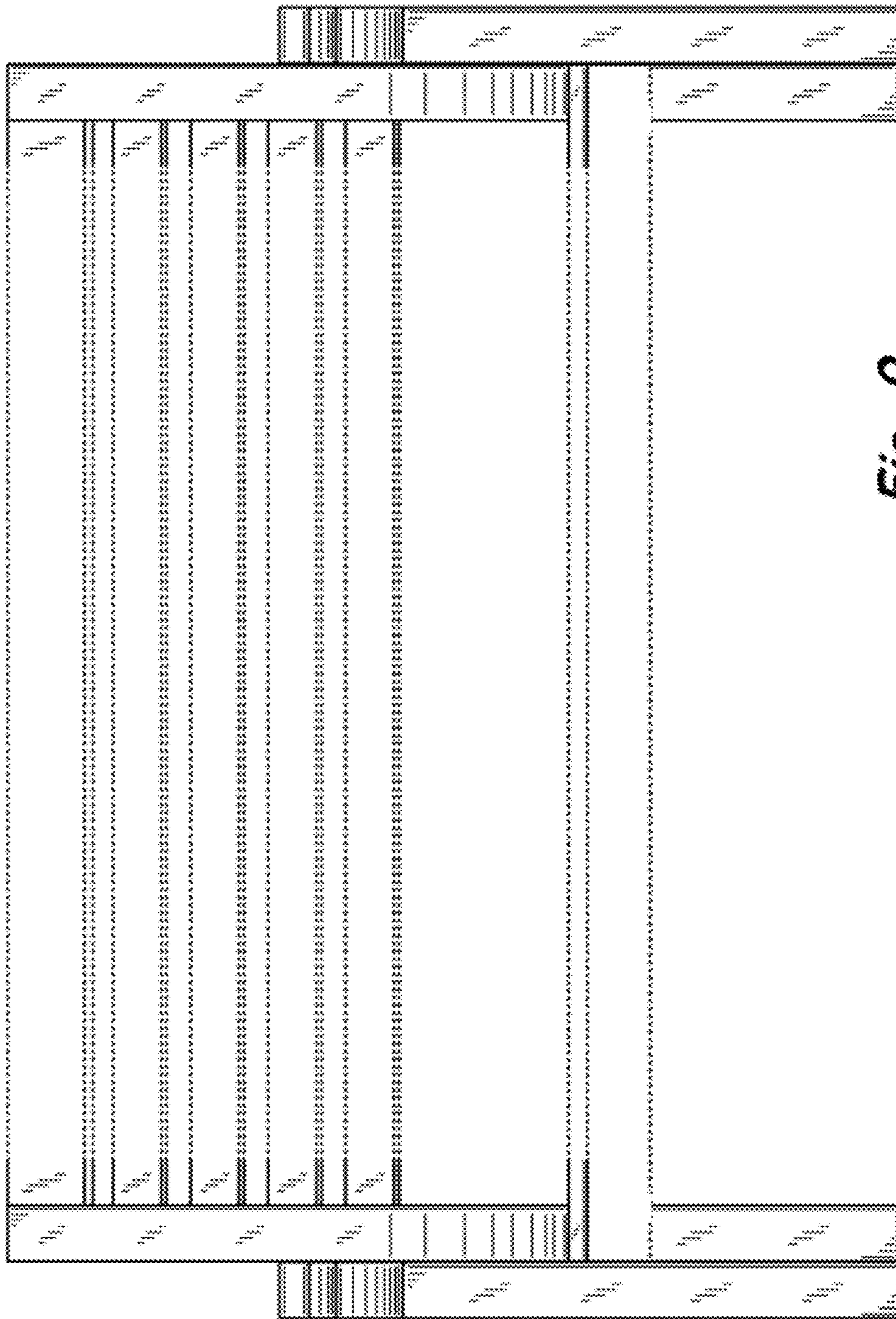


Fig. 9

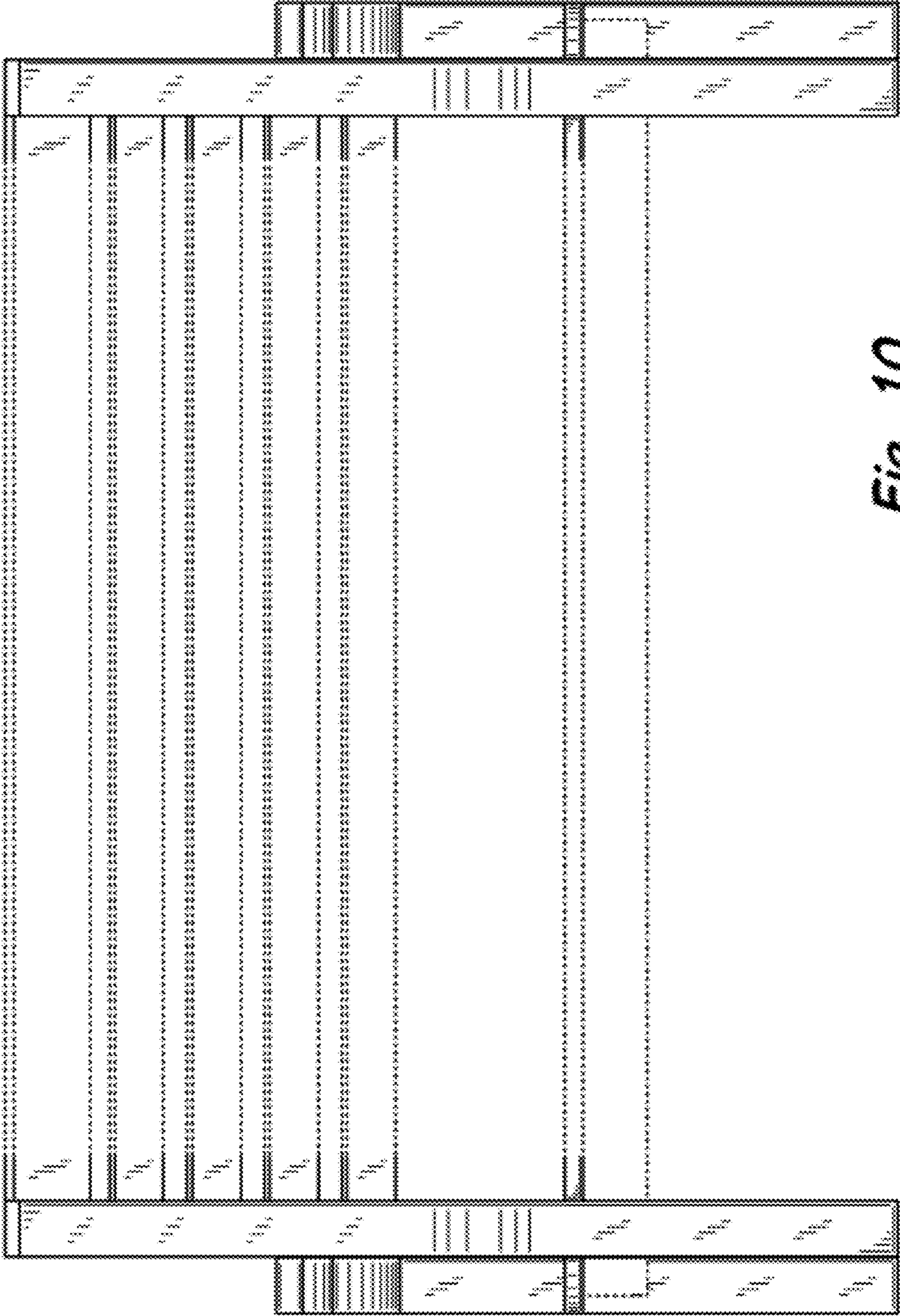


Fig. 10

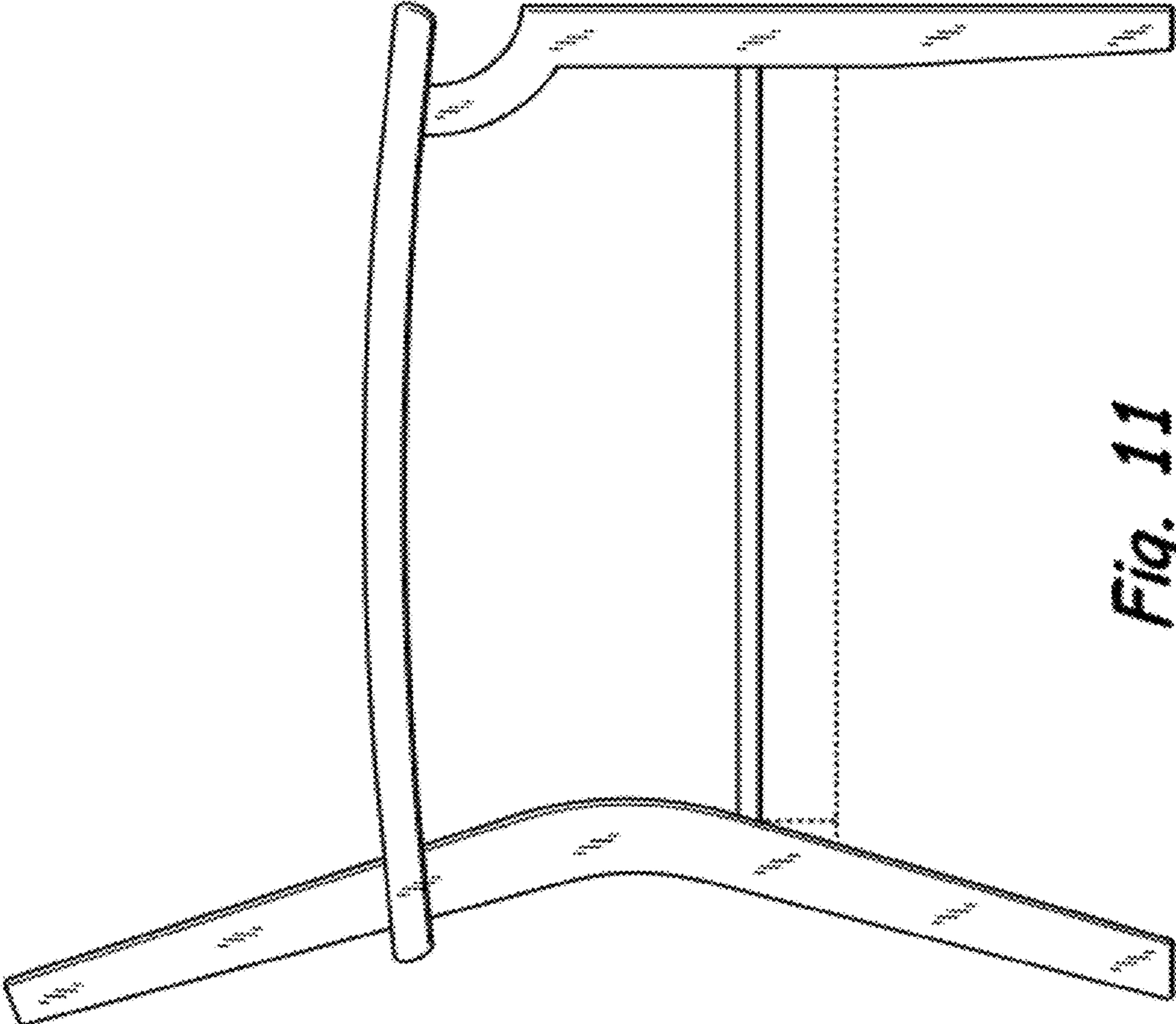


Fig. 11

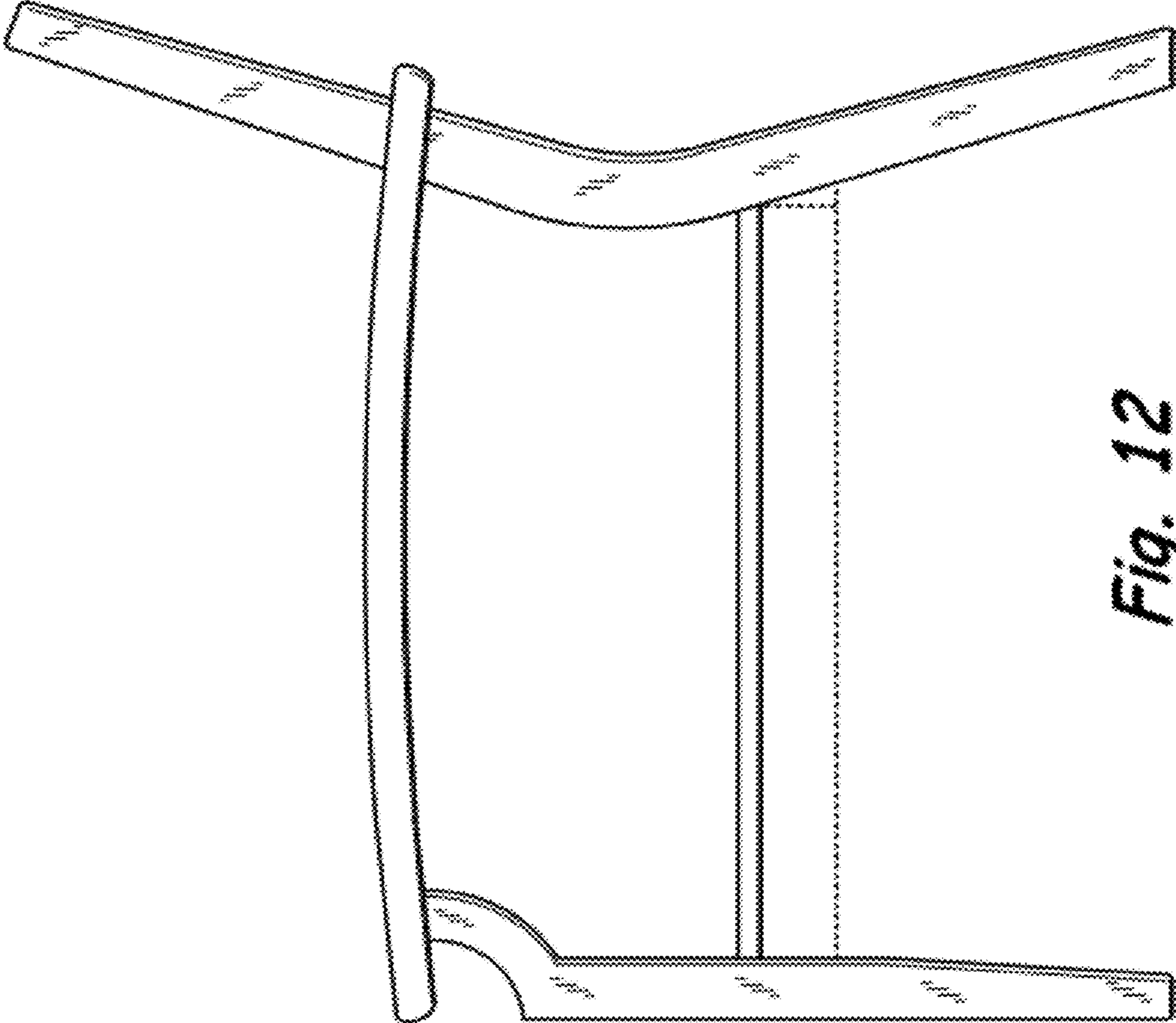


Fig. 12

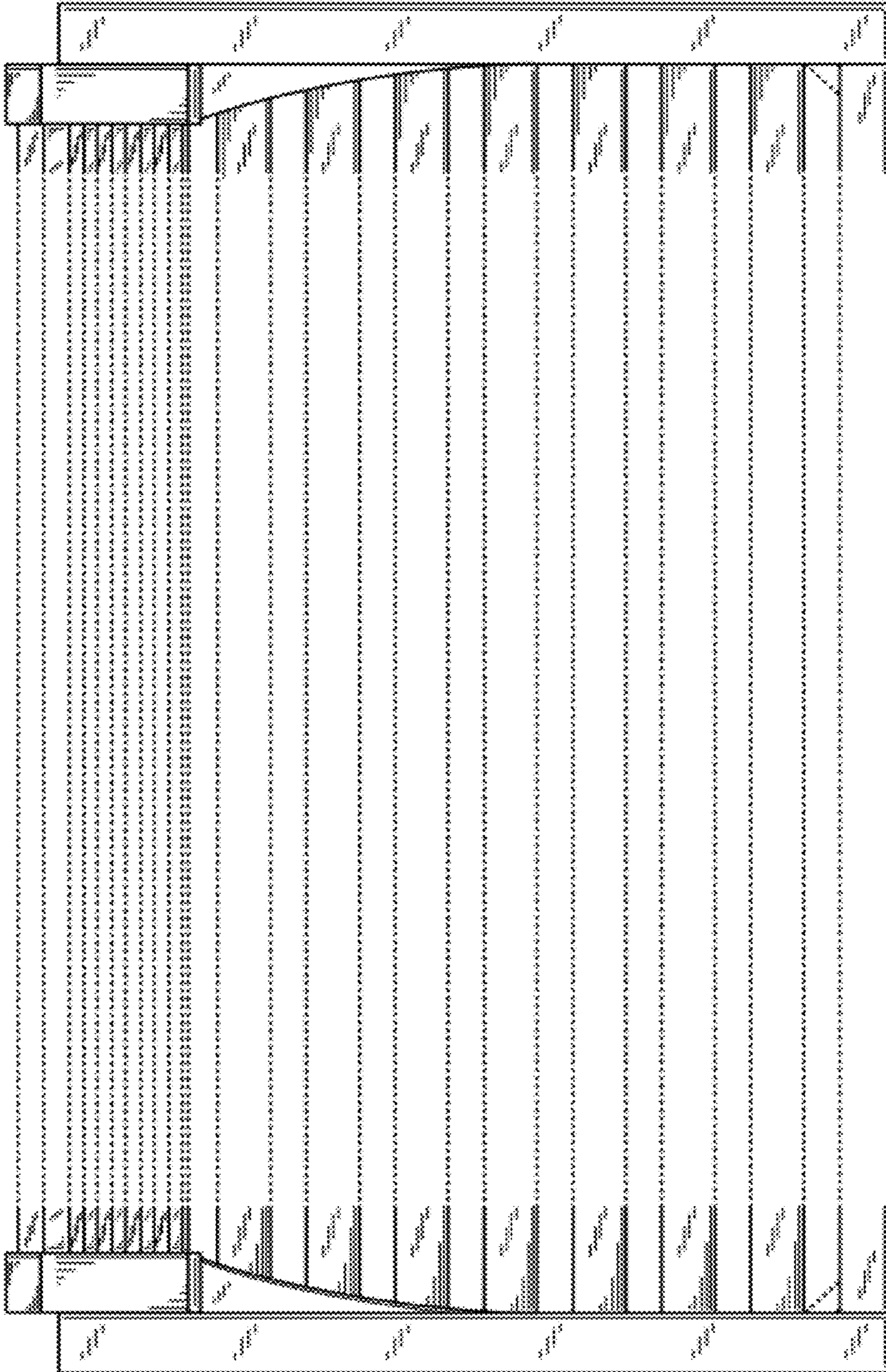


Fig. 13

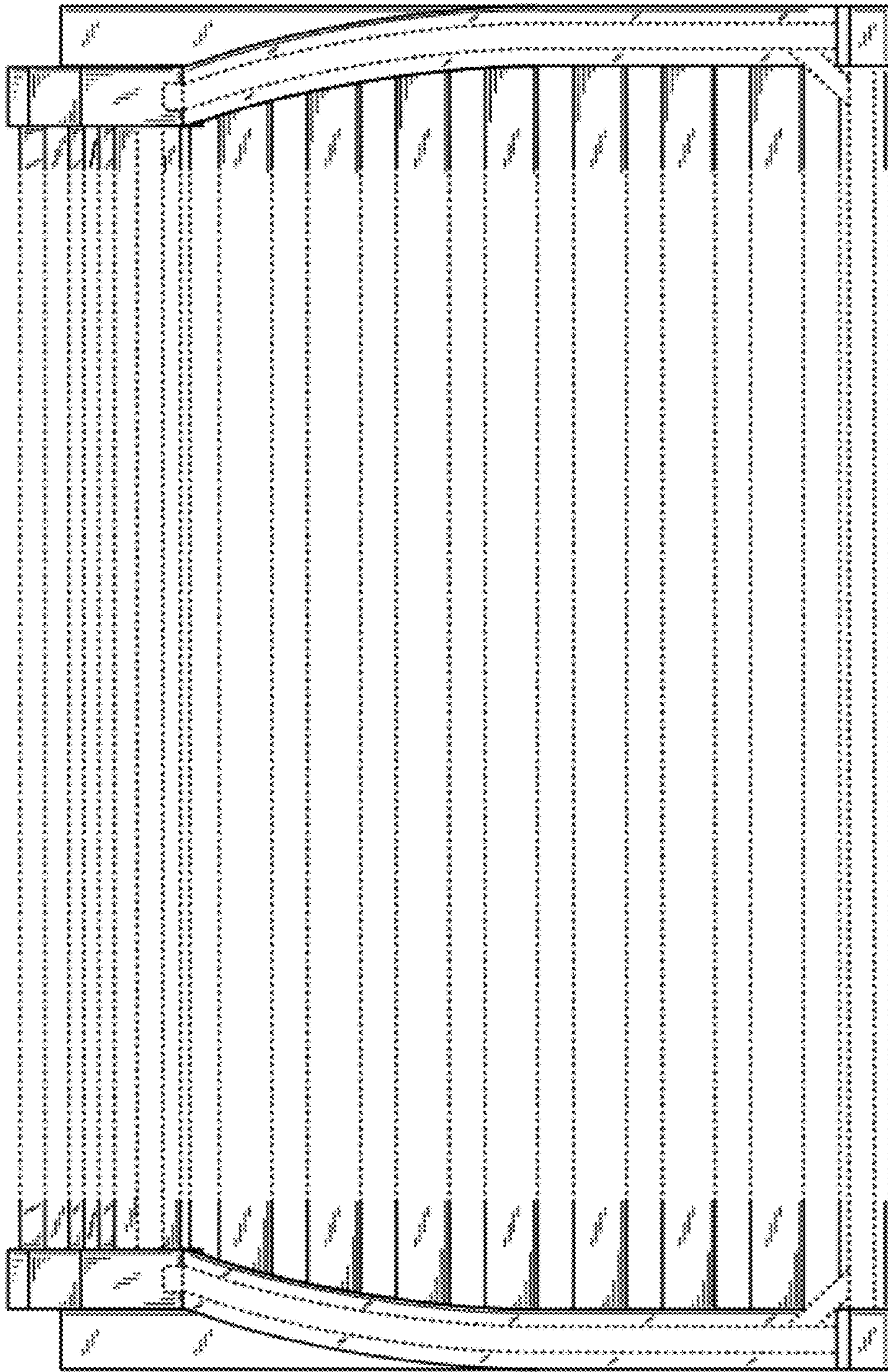


Fig. 14