



US00D655951S

(12) **United States Design Patent**  
**McCurry**

(10) **Patent No.:** **US D655,951 S**  
(45) **Date of Patent:** **\*\* Mar. 20, 2012**

(54) **TABLE**

(75) **Inventor:** **Margaret McCurry**, Chicago, IL (US)

(73) **Assignee:** **Landscape Forms, Inc.**, Kalamazoo, MI (US)

(\*\*) **Term:** **14 Years**

(21) **Appl. No.:** **29/388,611**

(22) **Filed:** **Mar. 31, 2011**

(51) **LOC (9) Cl.** ..... **06-06**

(52) **U.S. Cl.** ..... **D6/495**

(58) **Field of Classification Search** ..... D6/480-489,  
D6/495-499, 429, 426; 108/150, 50.01,  
108/50.02, 155, 153.1, 156, 157.13, 161,  
108/157.14; 248/188, 188.1, 174

See application file for complete search history.

(56) **References Cited**

U.S. PATENT DOCUMENTS

2,060,099	A	*	11/1936	McNeff	.....	248/440
D508,803	S	*	8/2005	Anderson	.....	D6/480
D522,280	S	*	6/2006	Butters	.....	D6/495
D620,286	S	*	7/2010	Carmon	.....	D6/480

\* cited by examiner

*Primary Examiner* — Janice Seeger

(74) *Attorney, Agent, or Firm* — Heslin Rothenberg Farley & Mesiti P.C.

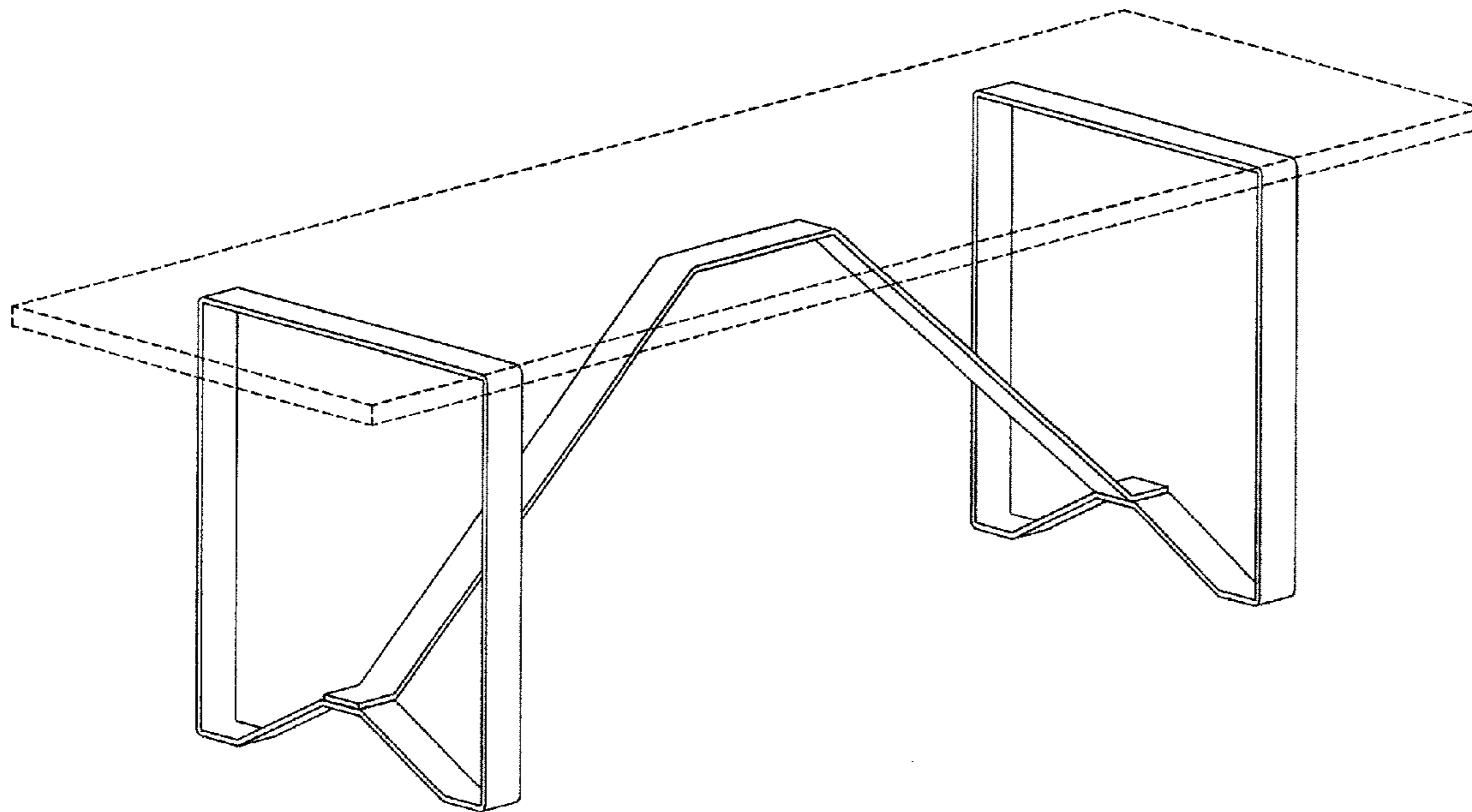
(57) **CLAIM**

The ornamental design for the table, as shown and described.

**DESCRIPTION**

FIG. 1 is an isometric view of the table of the present design; FIG. 2 is a right side elevation view thereof, the left side elevation view being identical thereto; FIG. 3 is a front elevation view thereof, the rear elevation view being identical thereto; and, FIG. 4 is a top plan view thereof. The broken lines in the figures are for illustrative purposes only and form no part of the claimed invention.

**1 Claim, 4 Drawing Sheets**



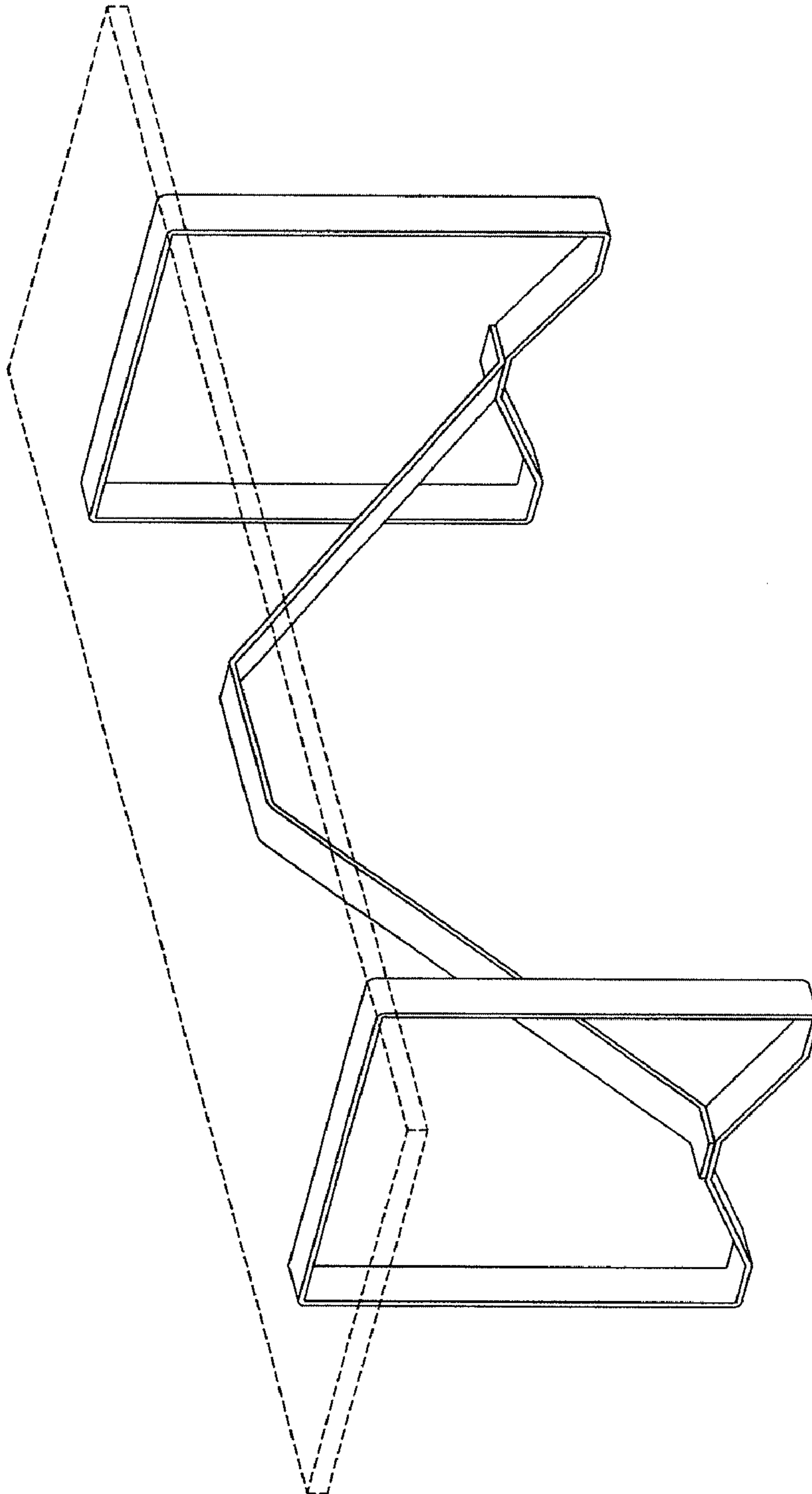


FIGURE 1

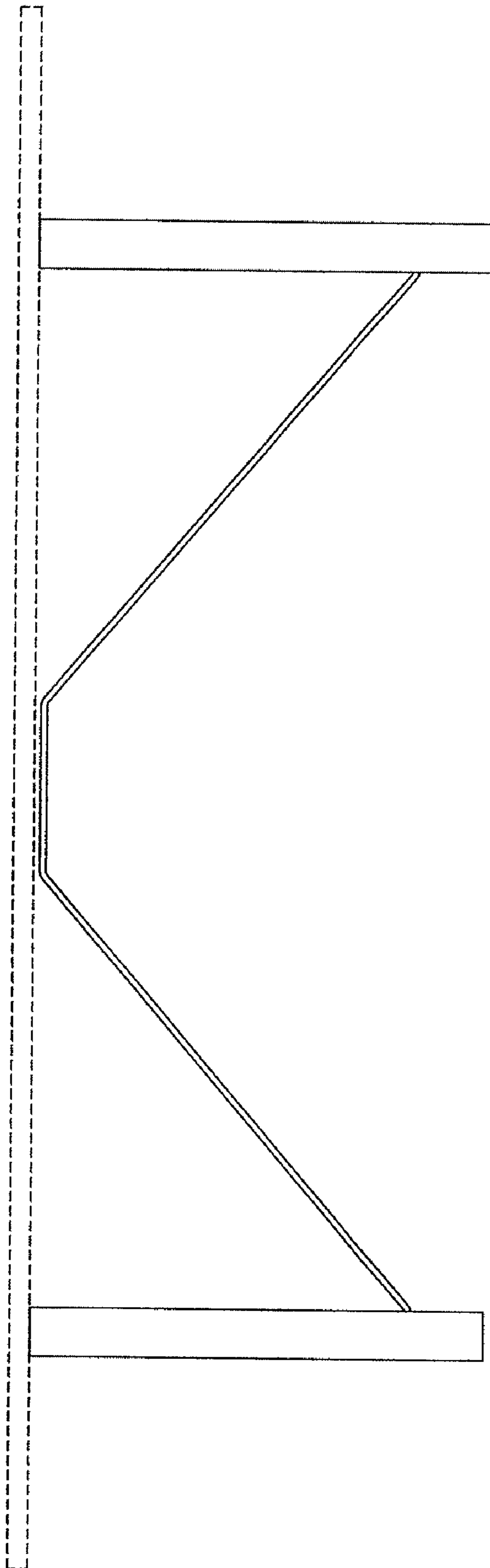


FIGURE 2

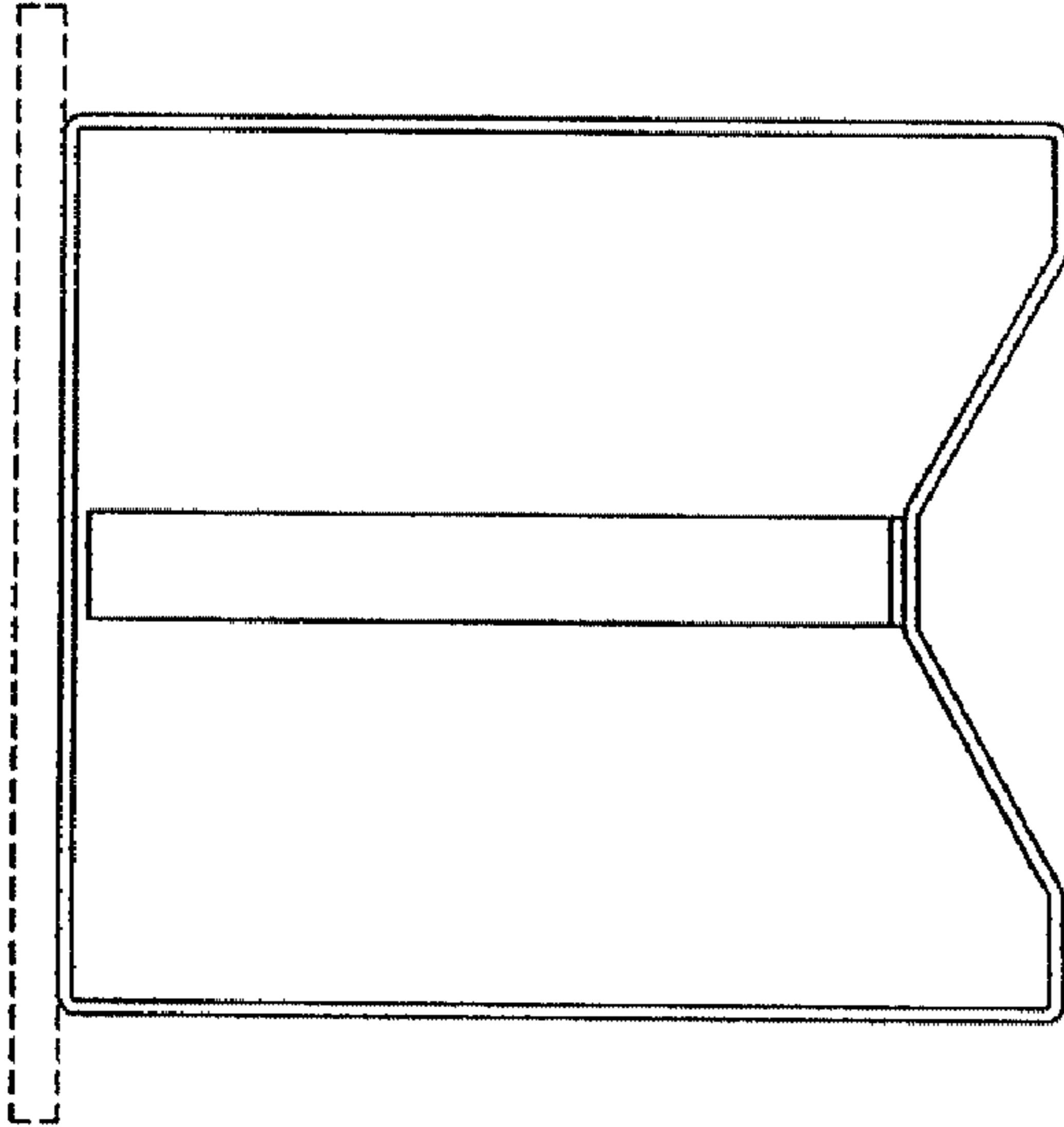


FIGURE 3

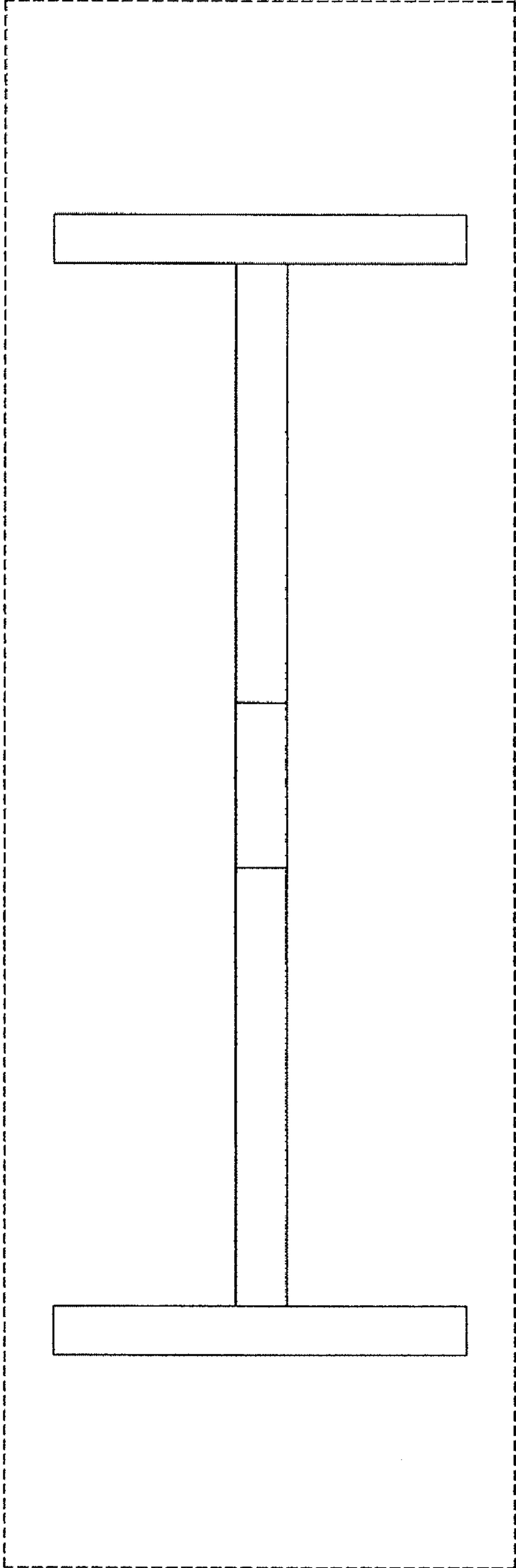


FIGURE 4