



US00D655950S

(12) **United States Design Patent**
Kvello

(10) **Patent No.:** **US D655,950 S**
(45) **Date of Patent:** **** Mar. 20, 2012**

(54) **GLASS TABLE**

(75) Inventor: **Tone Kvello**, Ikornnes (NO)

(73) Assignee: **Ekornes ASA**, Ikornnes (NO)

(**) Term: **14 Years**

(21) Appl. No.: **29/390,115**

(22) Filed: **Apr. 20, 2011**

(30) **Foreign Application Priority Data**

Oct. 27, 2010 (NO) 20100535

(51) **LOC (9) Cl.** **06-06**

(52) **U.S. Cl.** **D6/487; D6/484; D6/485**

(58) **Field of Classification Search** D6/480-489,
D6/495-499, 429, 511, 419, 420, 449; 108/150,
108/153.1, 156, 157.1, 161; 248/188, 188.1,
248/188.7

See application file for complete search history.

(56) **References Cited**

U.S. PATENT DOCUMENTS

D153,909 S * 5/1949 Wais D6/483
3,361,088 A * 1/1968 Hodgkin 108/12

D225,291 S * 12/1972 Kastner D6/484
D385,727 S * 11/1997 Chang D6/480
D419,003 S * 1/2000 Foussianes D6/487
D474,357 S * 5/2003 Chen D6/487

OTHER PUBLICATIONS

Selig Tables, #24-00 Nesting Tables.*

* cited by examiner

Primary Examiner — Janice Seeger

(74) *Attorney, Agent, or Firm* — Schneck & Schneck;
Thomas Schneck

(57) **CLAIM**

The ornamental design for a glass table, as shown and described.

DESCRIPTION

FIG. 1 is a front right perspective view of my design for a glass table;

FIG. 2 is a front elevational view thereof;

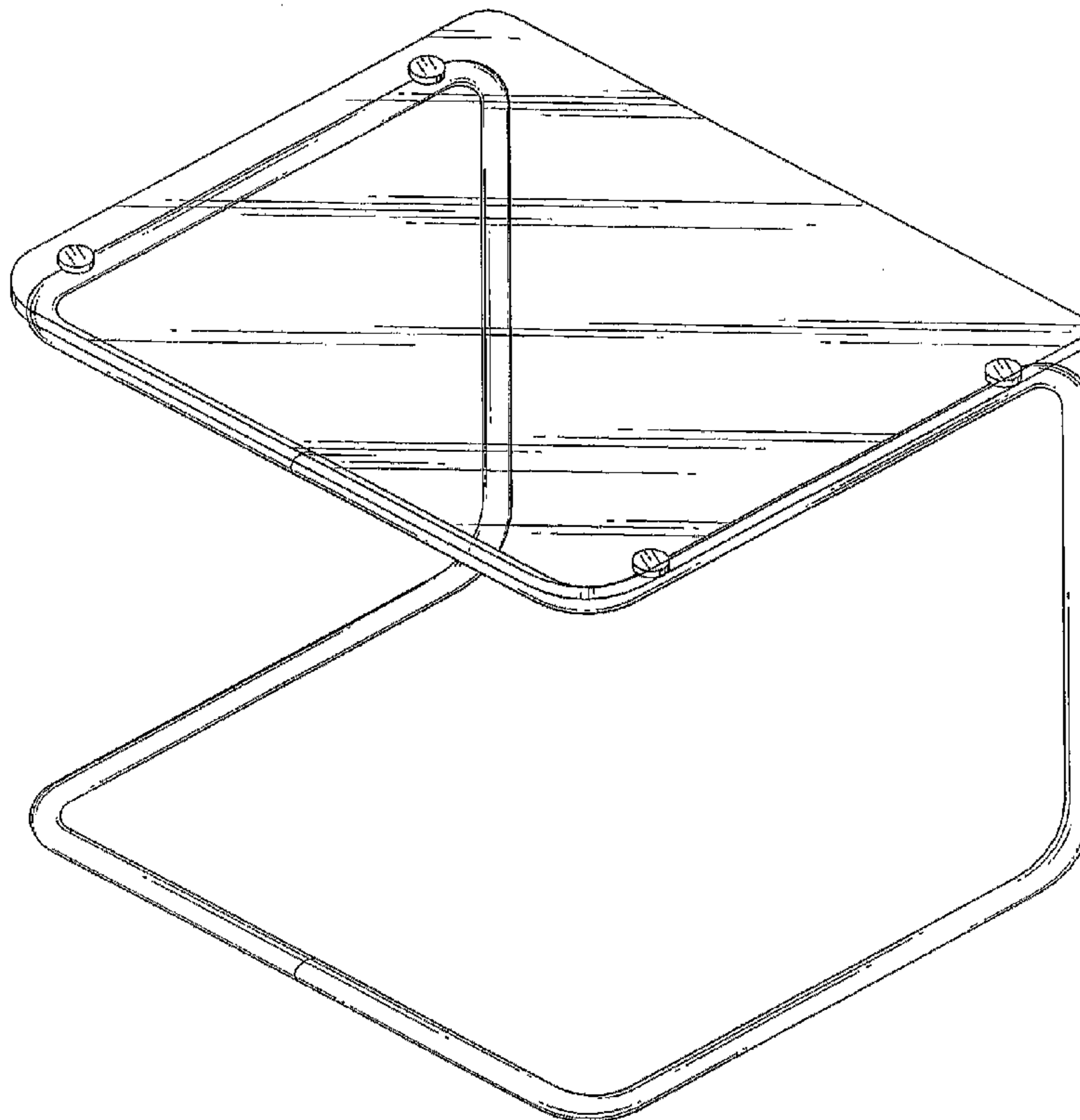
FIG. 3 is a rear elevational view thereof;

FIG. 4 is a right side elevational view thereof, the left side being a mirror image thereof;

FIG. 5 is a top view thereof; and,

FIG. 6 is a bottom view thereof.

1 Claim, 4 Drawing Sheets



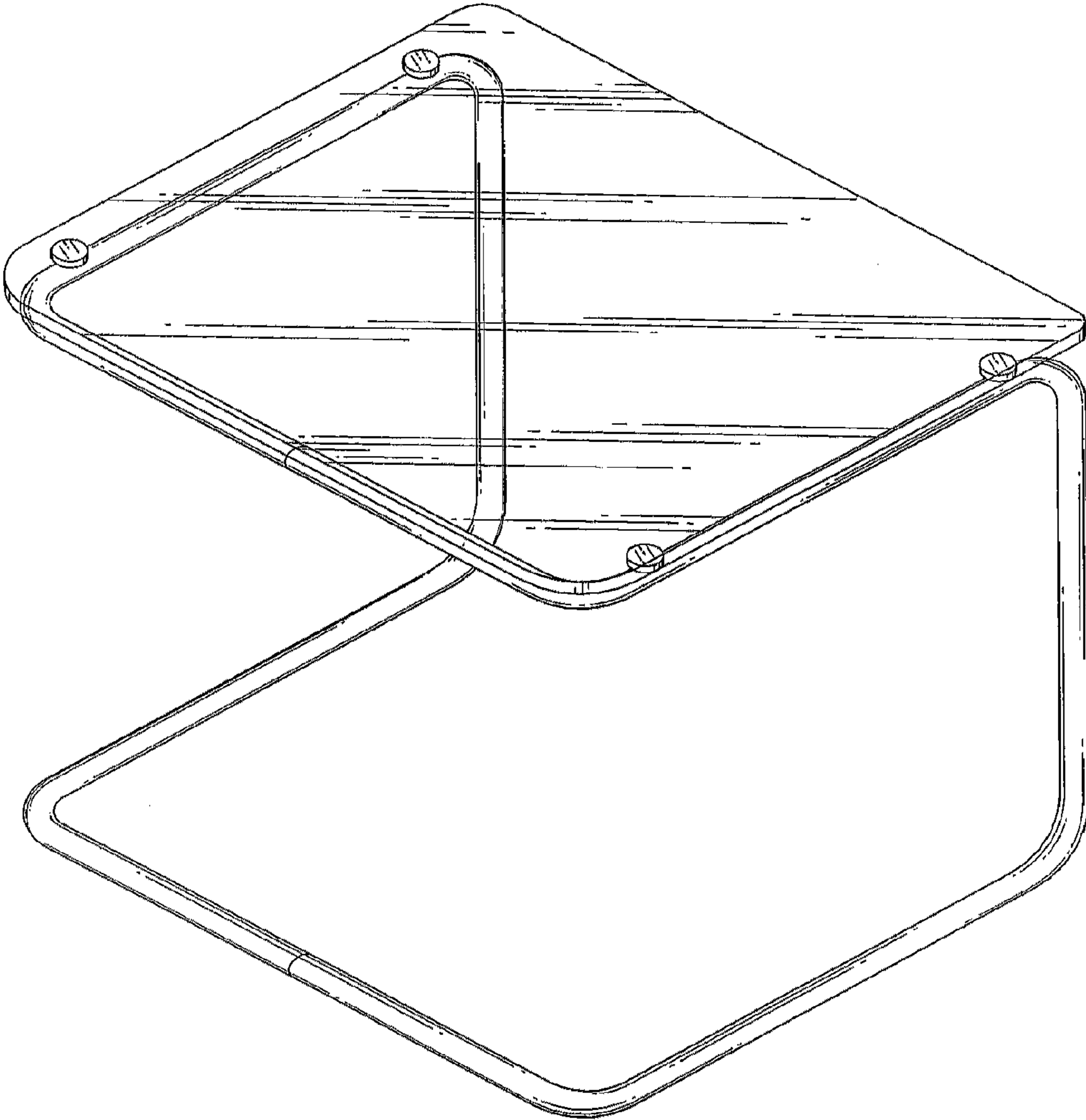


Fig. 1

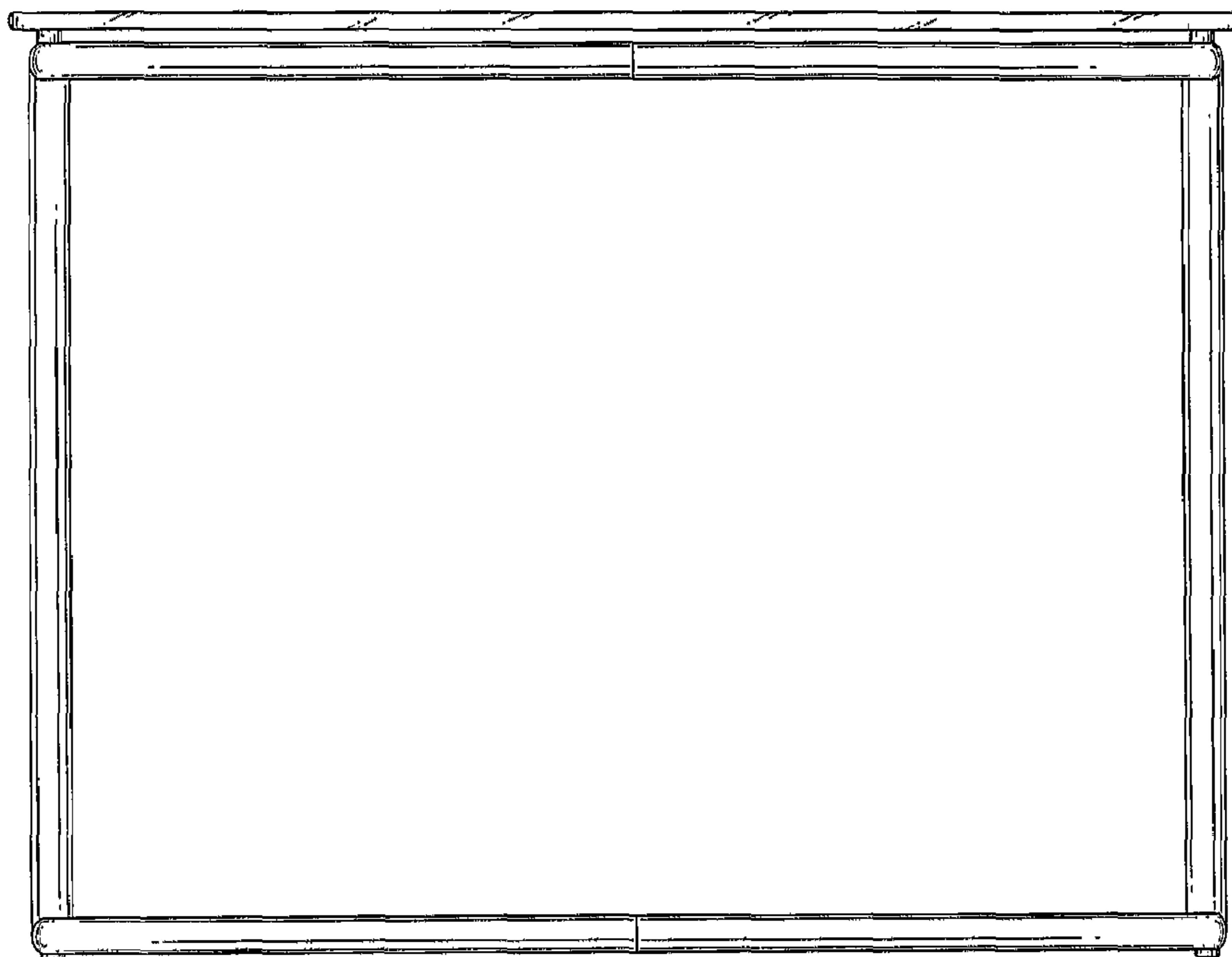


Fig. 2

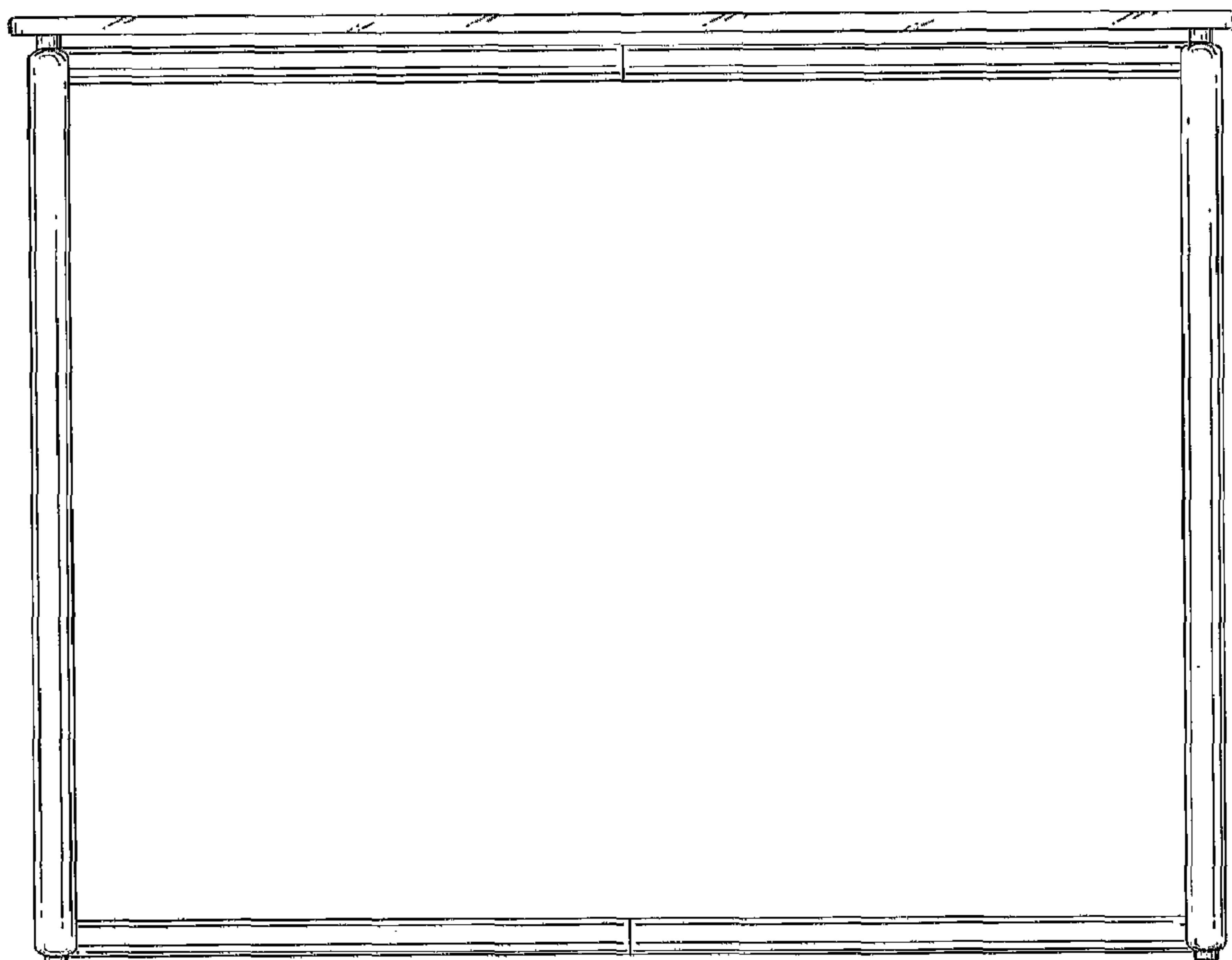


Fig. 3

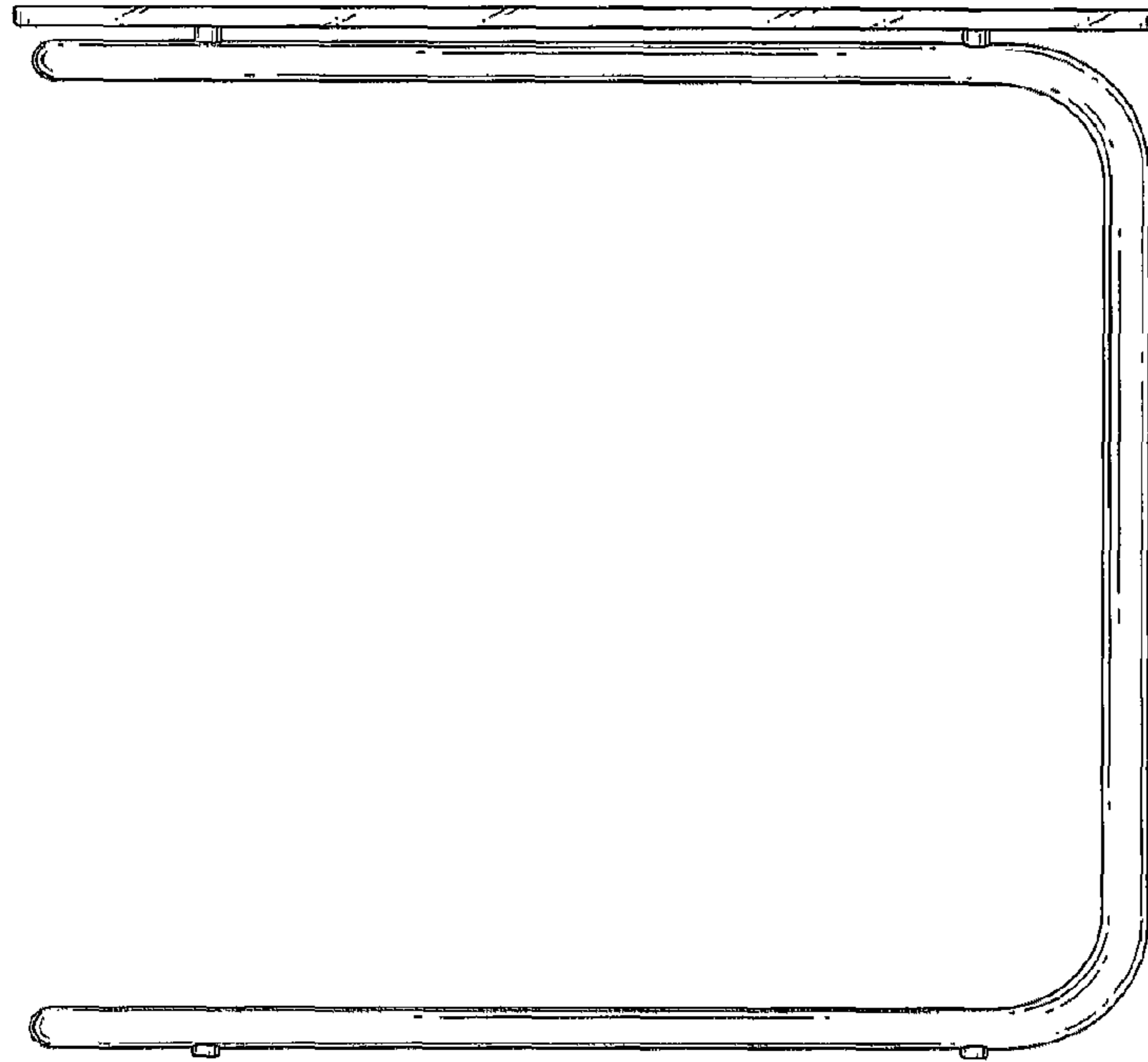


Fig. 4

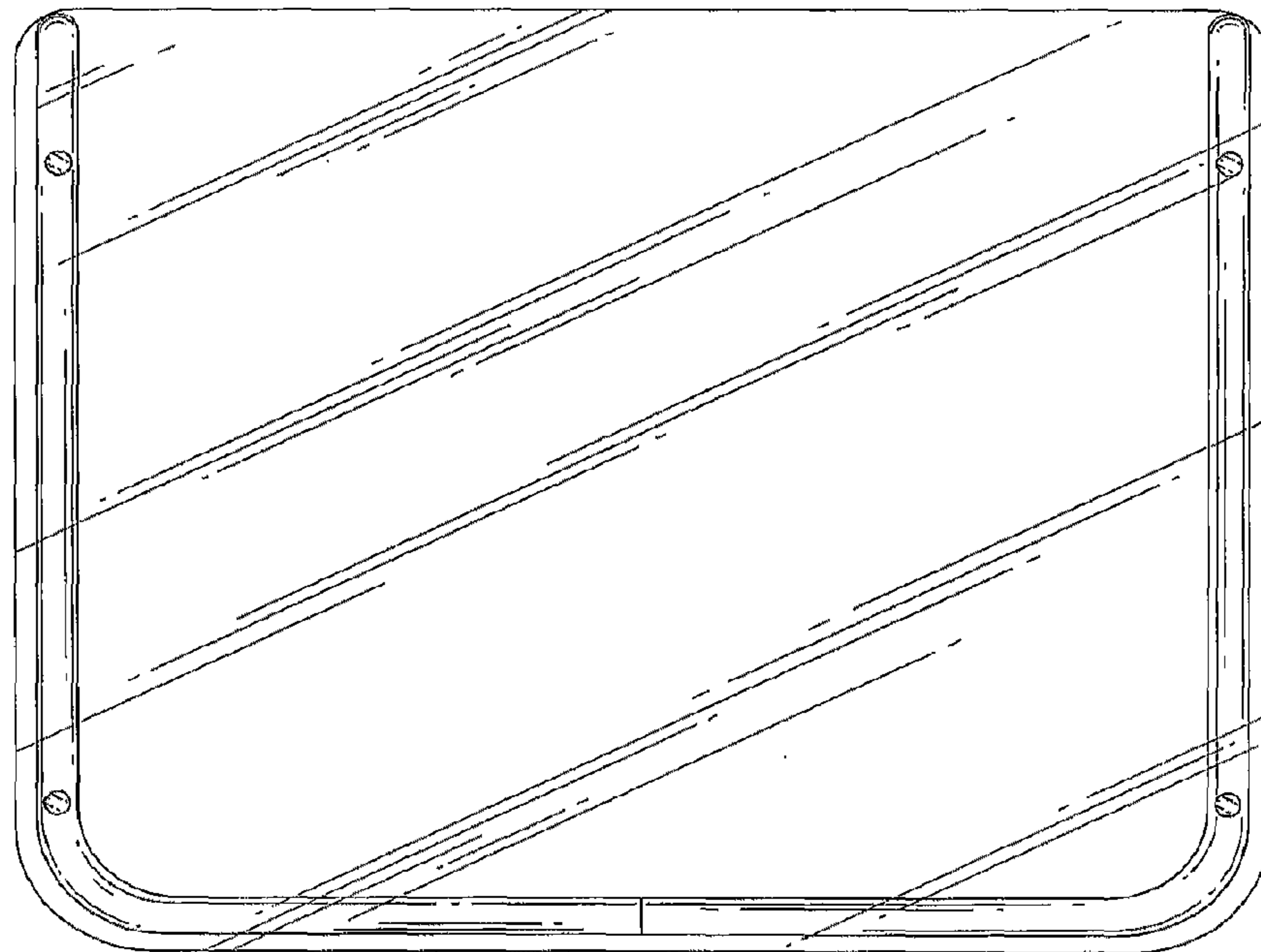


Fig. 5

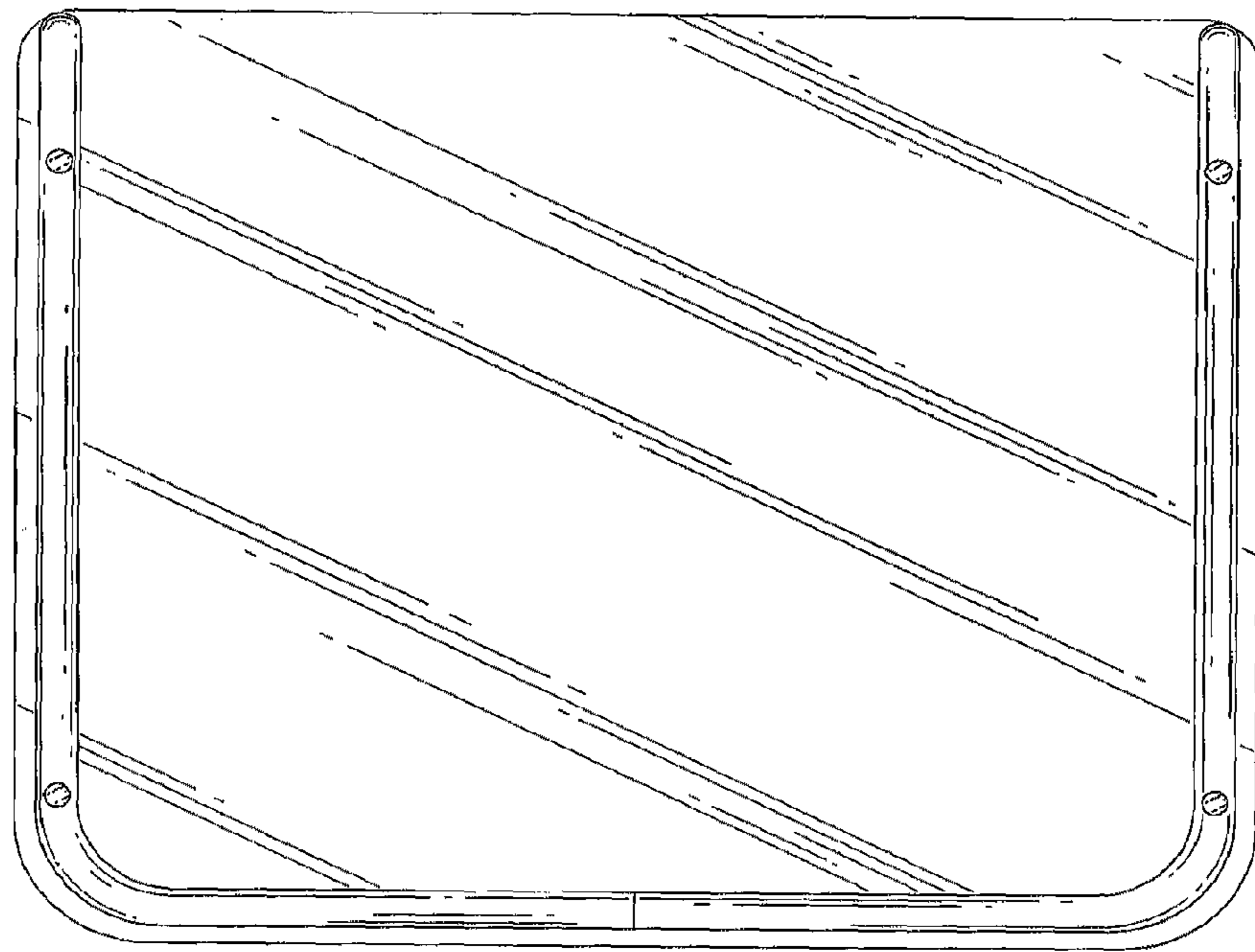


Fig. 6