



US00D655949S

(12) **United States Design Patent**
Villiers et al.

(10) **Patent No.:** **US D655,949 S**
(45) **Date of Patent:** **** Mar. 20, 2012**

(54) **CONSOLE TABLE**

(75) Inventors: **Harry Villiers**, Hadstock (GB); **Tim Villiers**, Saffron Walden (GB)

(73) Assignee: **Branch Interiors Limited**, Welham Green, Hertfordshire (GB)

(**) Term: **14 Years**

(21) Appl. No.: **29/380,203**

(22) Filed: **Dec. 1, 2010**

(30) **Foreign Application Priority Data**

Nov. 29, 2010 (EM) 001786880-0009

(51) **LOC (9) Cl.** **06-03**

(52) **U.S. Cl.** **D6/484**

(58) **Field of Classification Search** D6/480-489,
D6/495, 511, 429-431; 108/150, 153.1,
108/155, 156, 161; 248/188, 188.1, 188.8

See application file for complete search history.

(56) **References Cited**

U.S. PATENT DOCUMENTS

D157,184	S	*	2/1950	Nisle	D6/480
D166,338	S	*	4/1952	Petzold	D6/484
D262,081	S	*	12/1981	Isbell	D6/484
D264,289	S	*	5/1982	Klein	D6/477
D295,591	S	*	5/1988	Beall, Jr.	D6/430
D468,562	S	*	1/2003	Chang	D6/495

OTHER PUBLICATIONS

Carsons., table at top left.*

* cited by examiner

Primary Examiner — Janice Seeger

(74) *Attorney, Agent, or Firm* — Bracewell & Giuliani LLP

(57) **CLAIM**

The ornamental design for a console table, as shown.

DESCRIPTION

FIG. 1 is a perspective view of the console table of our new design.

FIG. 2 is a front view thereof;

FIG. 3 is a rear view thereof;

FIG. 4 is a left side view thereof;

FIG. 5 is a right side view thereof; and,

FIG. 6 is a top plan view thereof.

1 Claim, 3 Drawing Sheets

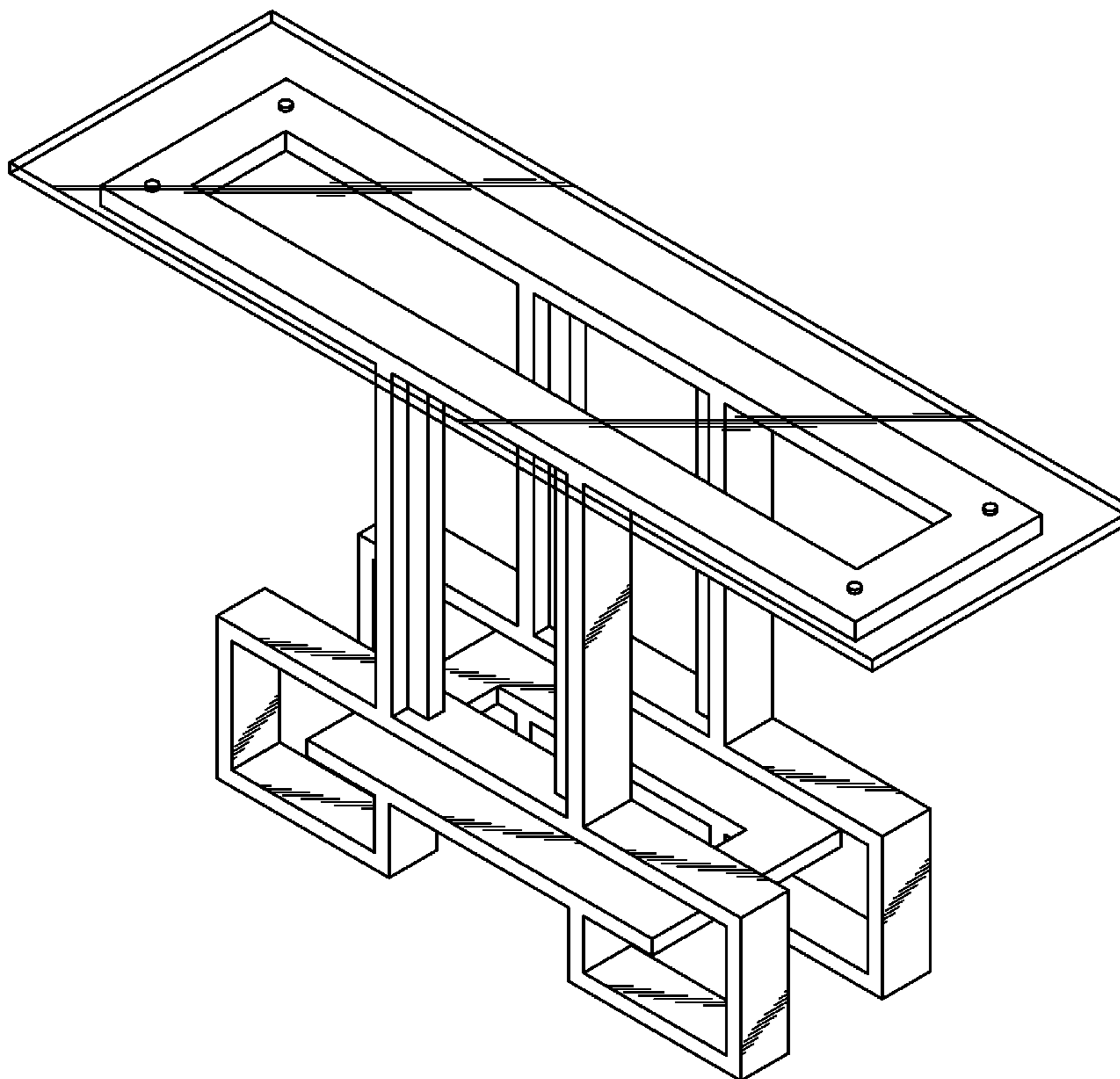


Fig. 1

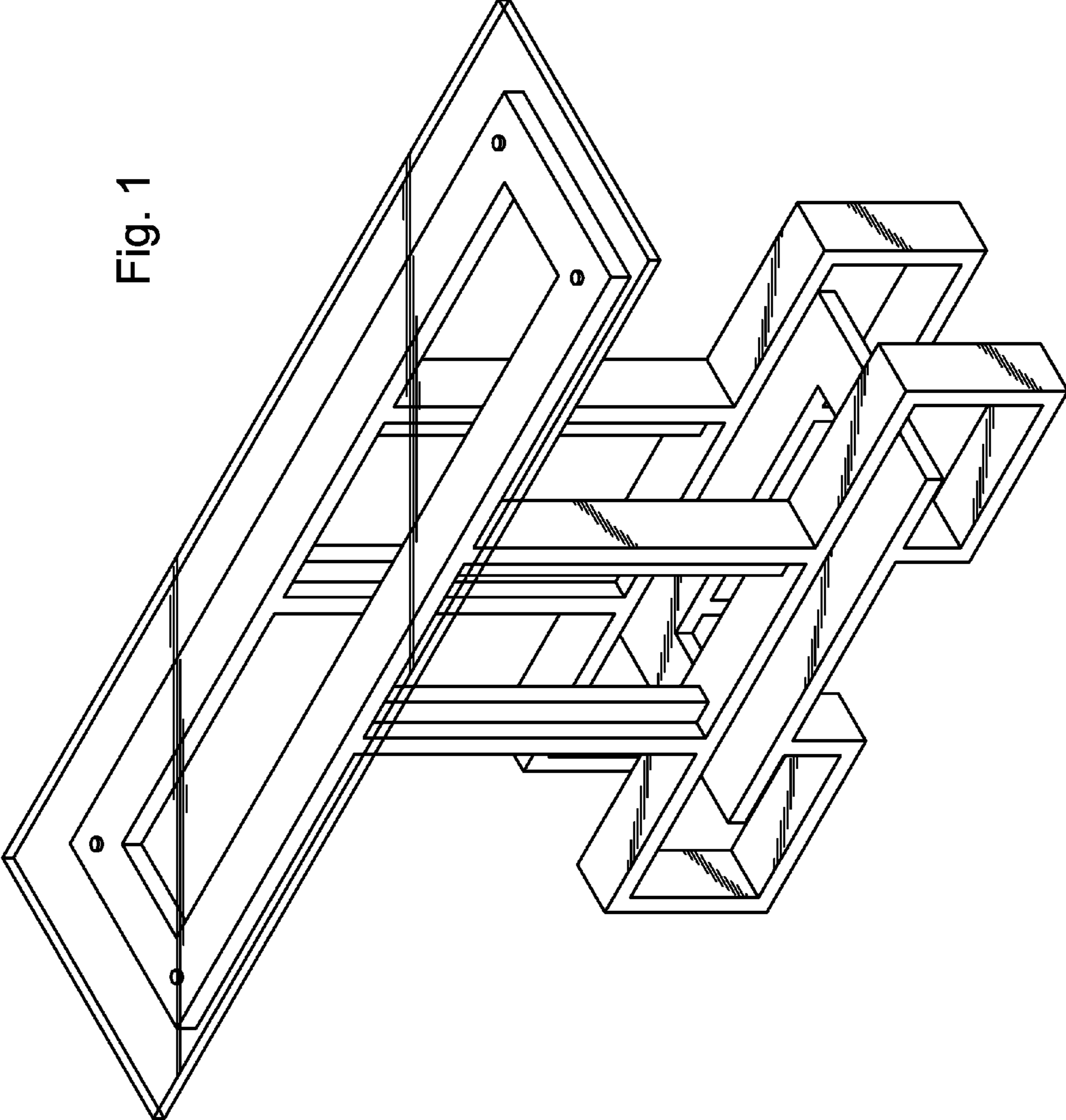


Fig. 2

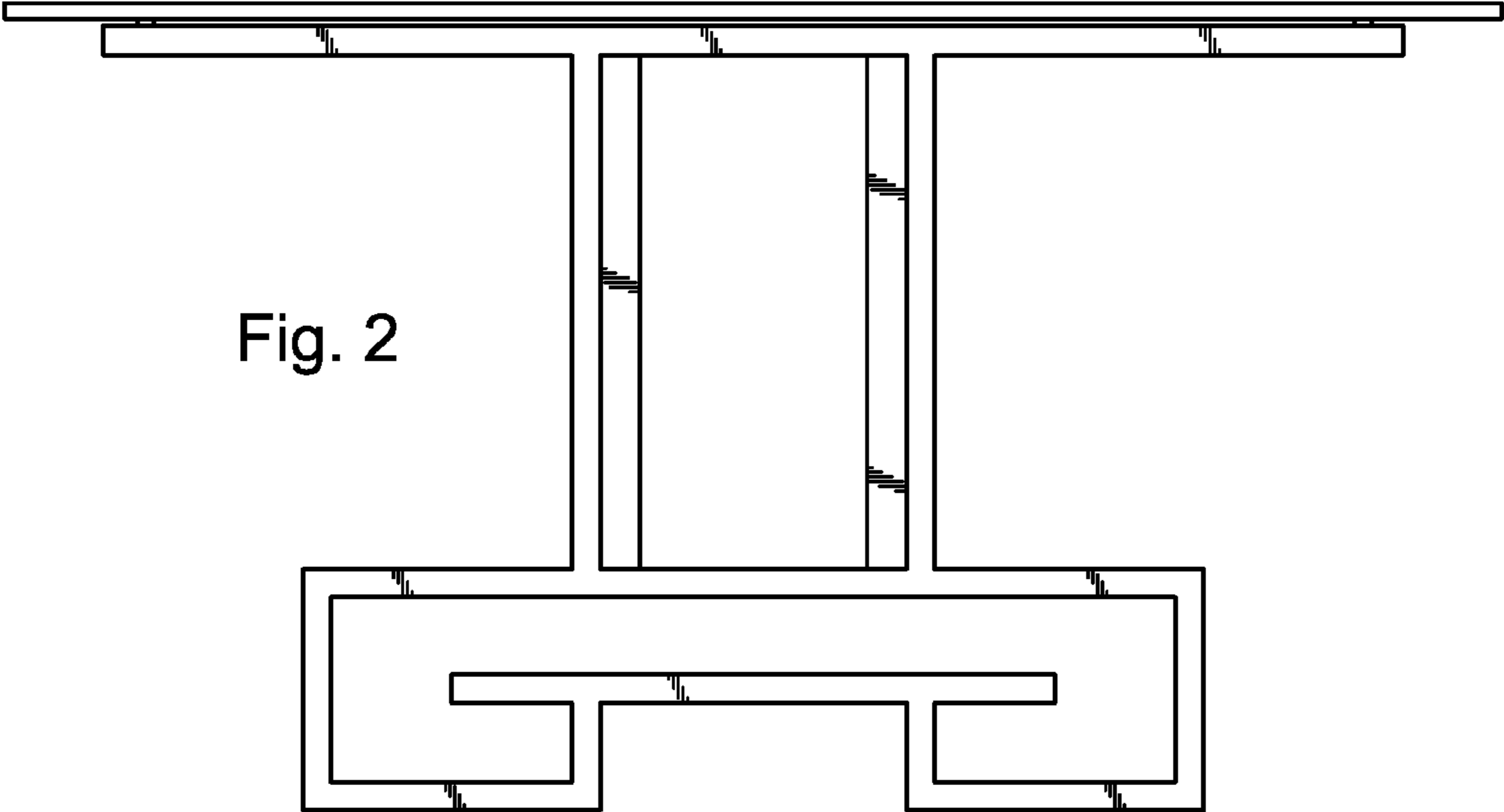


Fig. 3

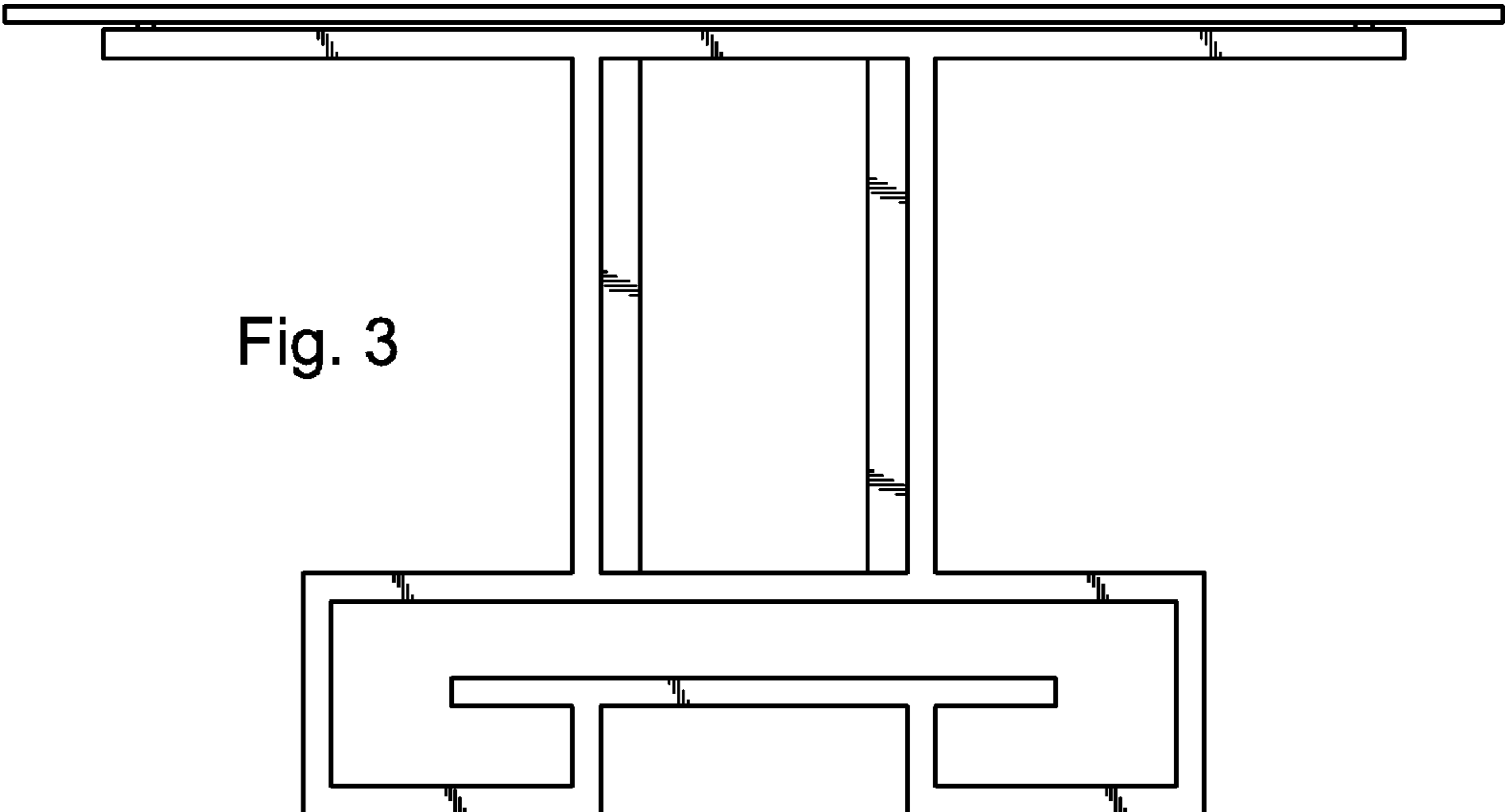


Fig. 4

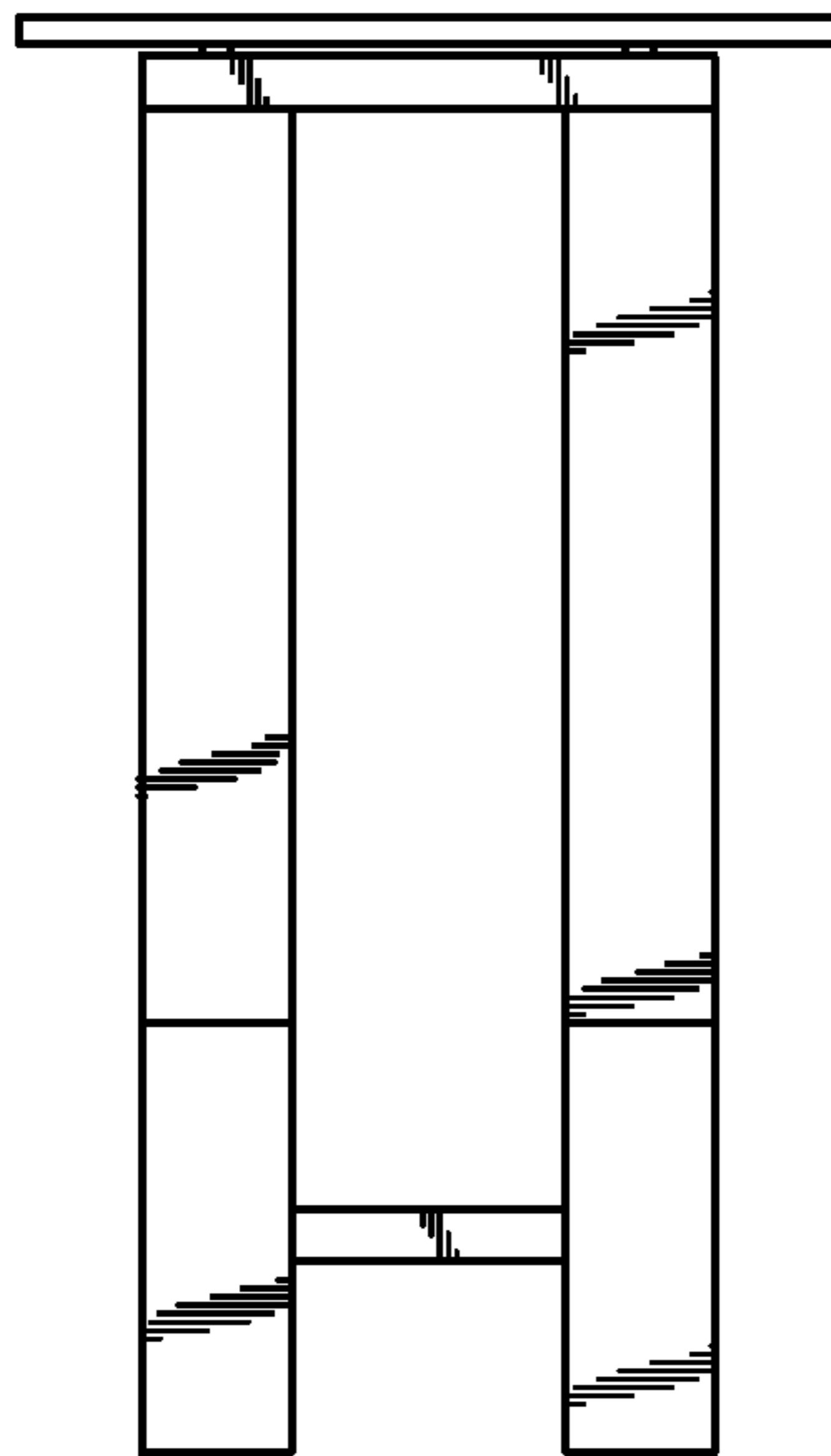


Fig. 5

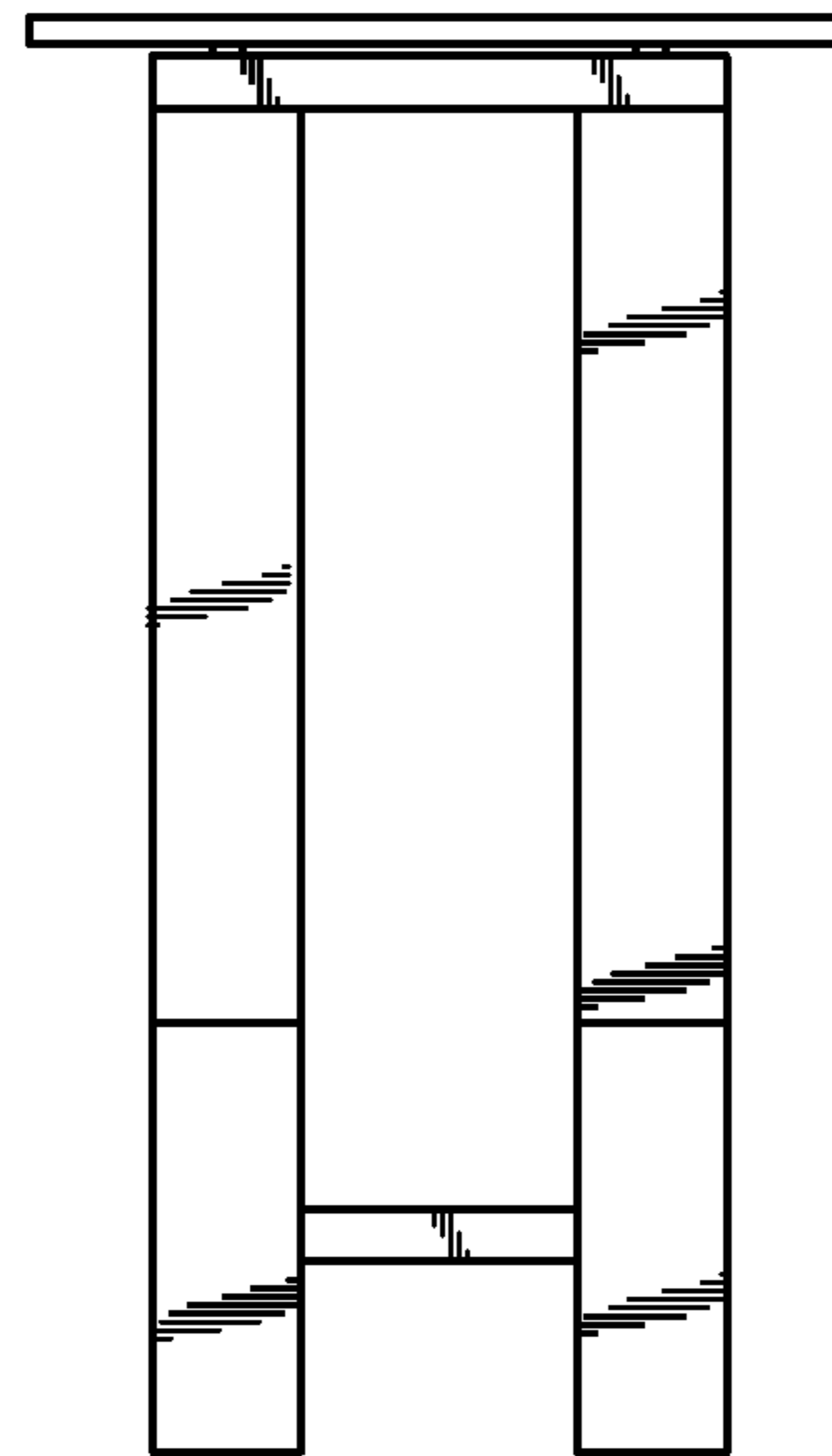


Fig. 6

