



US00D655947S

(12) **United States Design Patent**  
**Doane**

(10) **Patent No.:** **US D655,947 S**  
(45) **Date of Patent:** **\*\* Mar. 20, 2012**

(54) **ANTI-THEFT TRADING CARD SHOW  
DISPLAY CABINET**

(76) Inventor: **Scott J Doane**, Myrtle Beach, SC (US)

(\*\*) Term: **14 Years**

(21) Appl. No.: **29/368,296**

(22) Filed: **Aug. 20, 2010**

(51) **LOC (9) Cl.** ..... **06-04**

(52) **U.S. Cl.** ..... **D6/470**

(58) **Field of Classification Search** ..... D6/396,  
D6/397, 432, 436, 437, 438, 439, 445, 446,  
D6/448, 449, 470, 477-479, 630, 631; 312/114,  
312/129, 138.1, 140, 224, 237, 257.1, 258,  
312/265.5; 108/59, 93-96, 147.11, 147.17;  
211/13.1, 42, 85.3; D34/19

See application file for complete search history.

(56) **References Cited**

**U.S. PATENT DOCUMENTS**

D150,194 S *	7/1948	Barrett	.....	D6/436
D253,229 S *	10/1979	Spranger et al.	.....	D34/19
4,433,880 A *	2/1984	Maravelas et al.	.....	312/114
D409,456 S *	5/1999	Deslandes	.....	D6/470
D433,264 S *	11/2000	Lindeqvist et al.	.....	D6/631
D440,429 S *	4/2001	Wales et al.	.....	D6/446
D445,594 S *	7/2001	McClintock et al.	.....	D6/397
D493,046 S *	7/2004	McDiarmid	.....	D6/470
D498,614 S *	11/2004	Kalaouze	.....	D6/470
D539,056 S *	3/2007	Helmetag et al.	.....	D6/470
D554,907 S *	11/2007	Edison et al.	.....	D6/478

D588,837 S *	3/2009	Helle	.....	D6/449
D588,838 S *	3/2009	Helle	.....	D6/449
D623,873 S *	9/2010	de la Haye	.....	D6/432

\* cited by examiner

*Primary Examiner* — Mimoso De

(74) *Attorney, Agent, or Firm* — Sinorica, LLC

(57) **CLAIM**

The ornamental design of an anti-theft trading card show display cabinet, as shown and described.

**DESCRIPTION**

FIG. 1 is a perspective view of an anti-theft trading card show display cabinet opened;

FIG. 2 is a front elevational view thereof;

FIG. 3 is a rear elevational view thereof;

FIG. 4 is a left-side elevational view thereof;

FIG. 5 is a right-side elevational view thereof;

FIG. 6 is a bottom plan view thereof;

FIG. 7 is a top plan view thereof;

FIG. 8 is a perspective view of a closed anti-theft trading card show display cabinet;

FIG. 9 is a front elevational view thereof;

FIG. 10 is a rear elevational view thereof;

FIG. 11 is a left-side elevational view thereof;

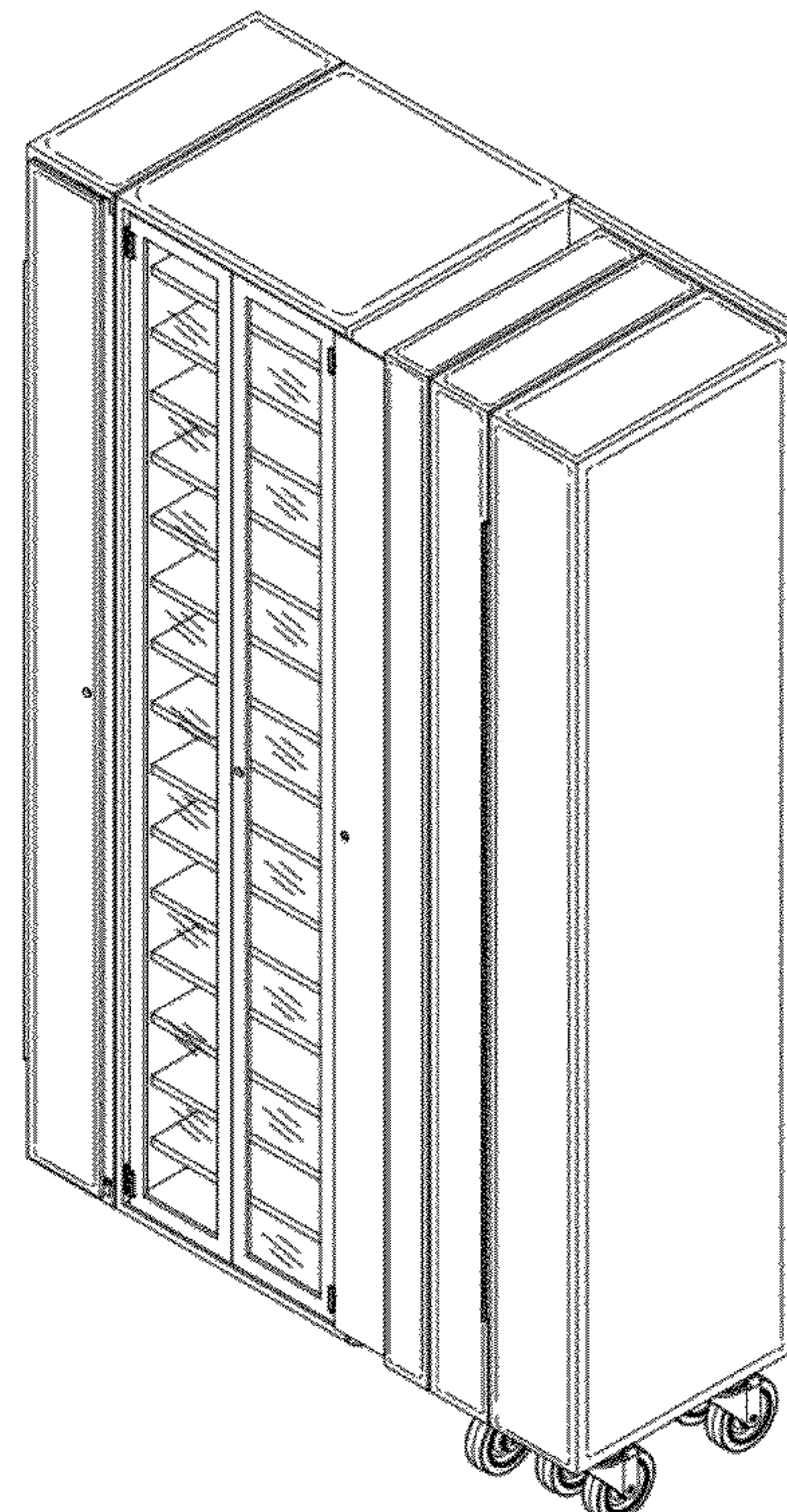
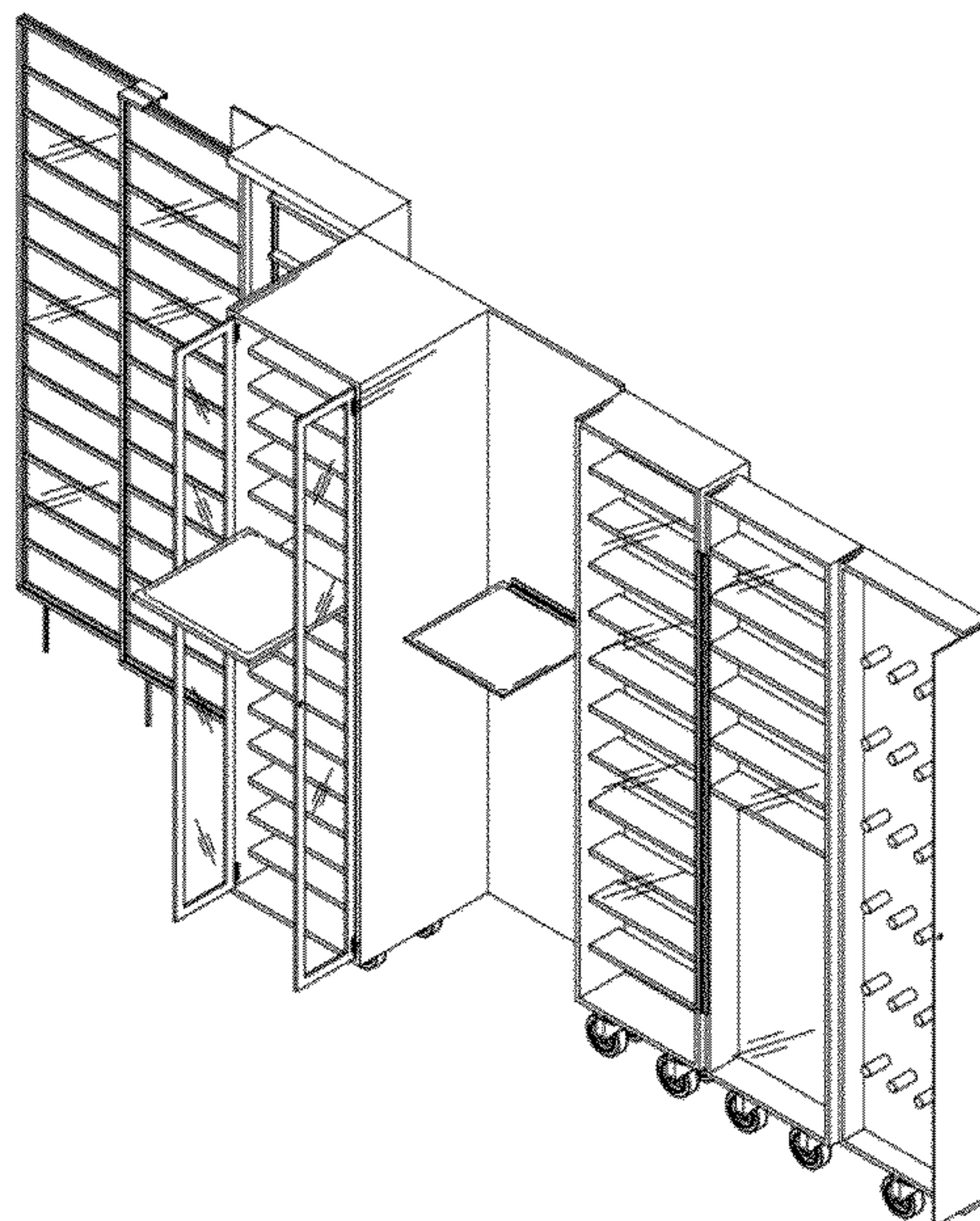
FIG. 12 is a right-side elevational view thereof;

FIG. 13 is a bottom plan view thereof; and,

FIG. 14 is a top plan view thereof.

The broken line showing of an anti-theft trading card show display cabinet is for the purpose of illustrating environmental structure and forms no part of the claimed design.

**1 Claim, 10 Drawing Sheets**





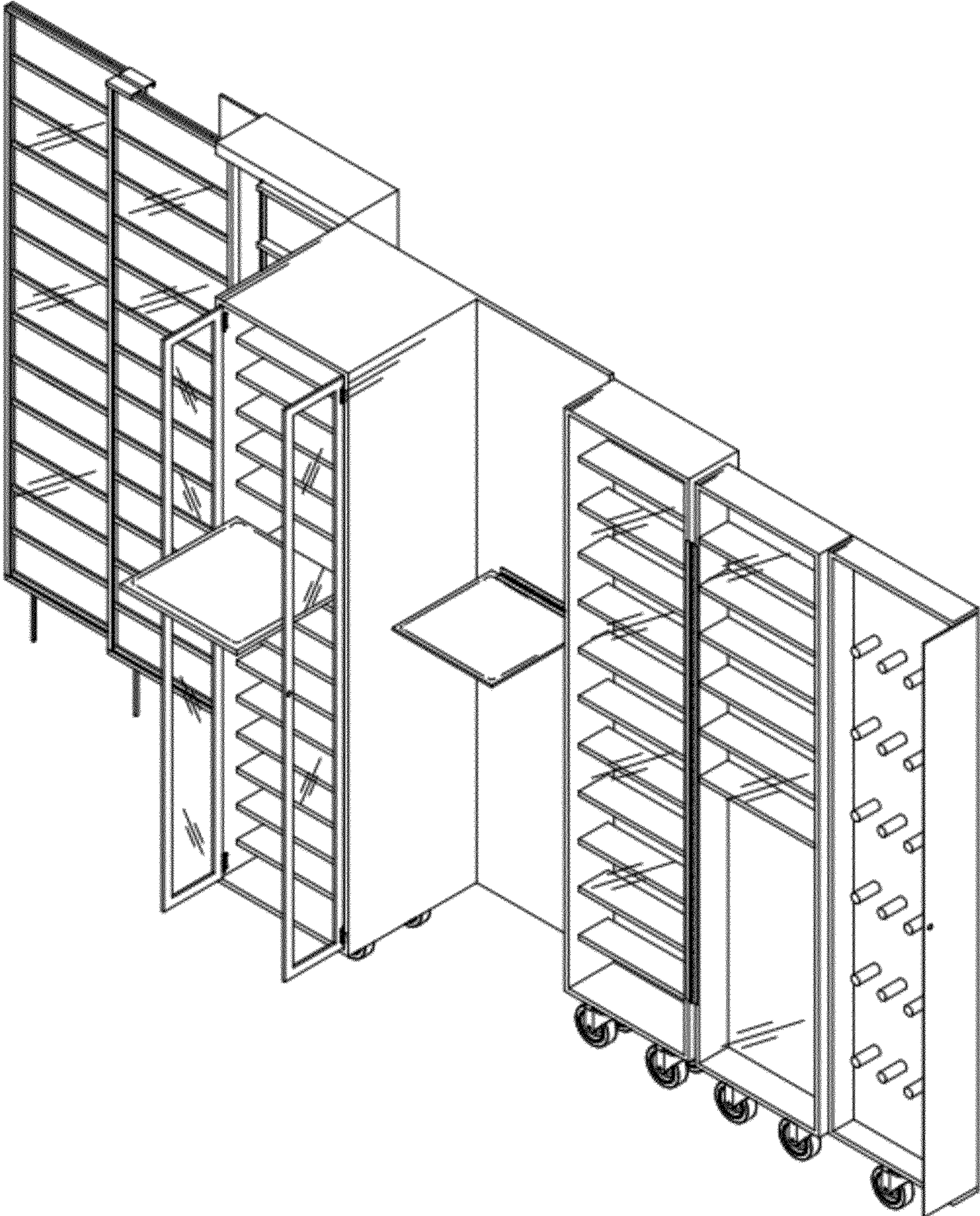


FIG. 1



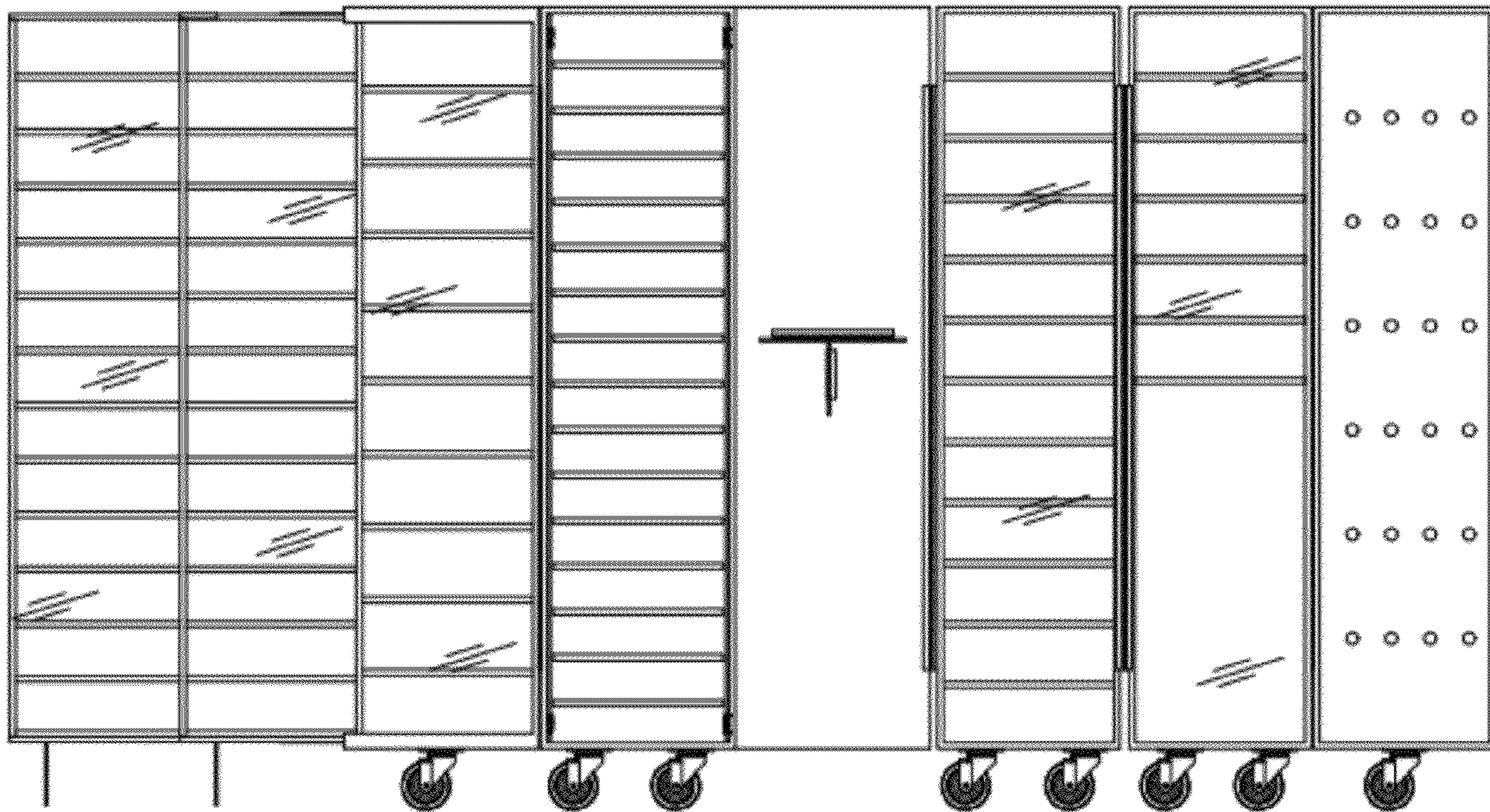


FIG. 2

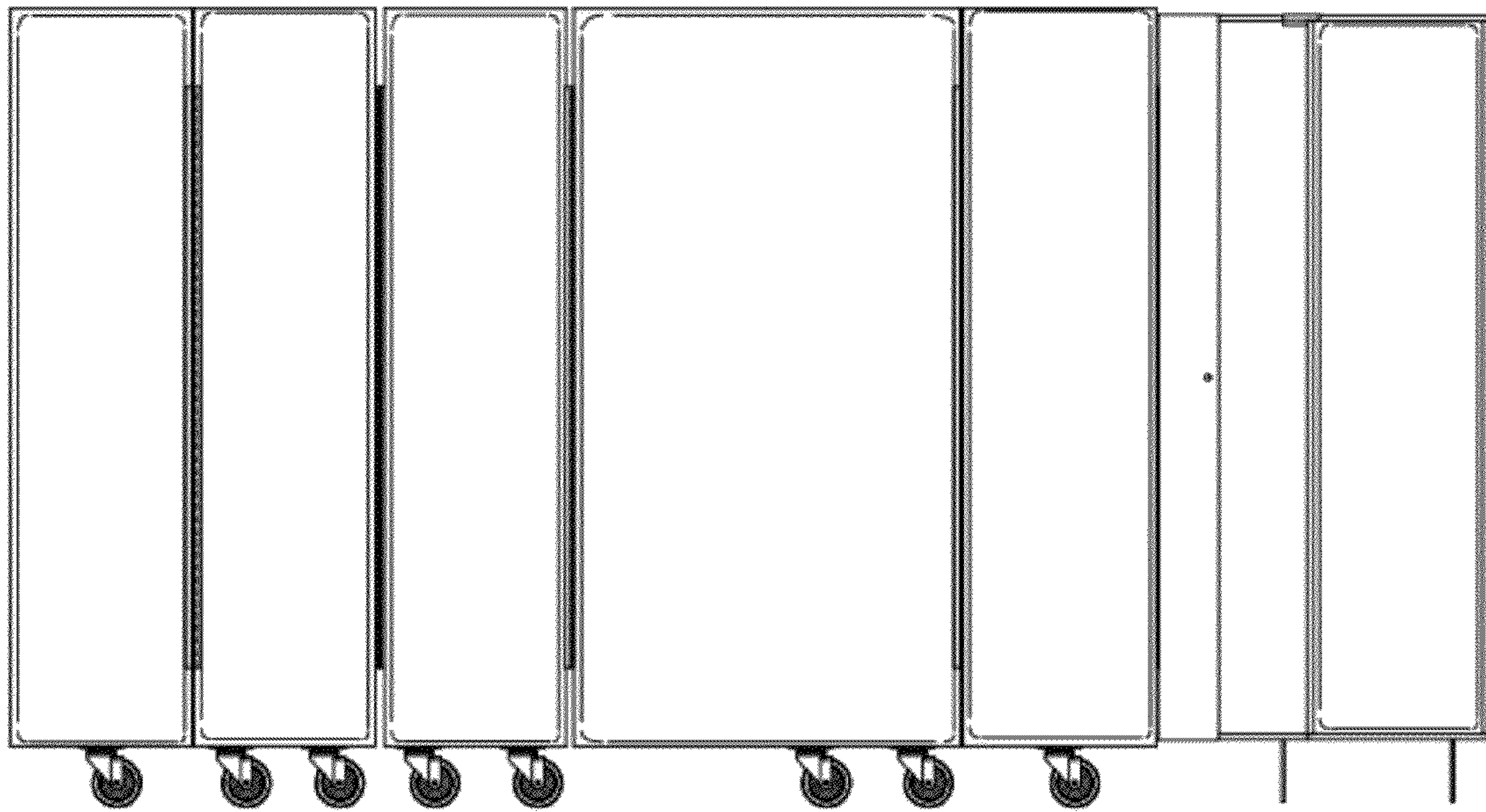


FIG. 3



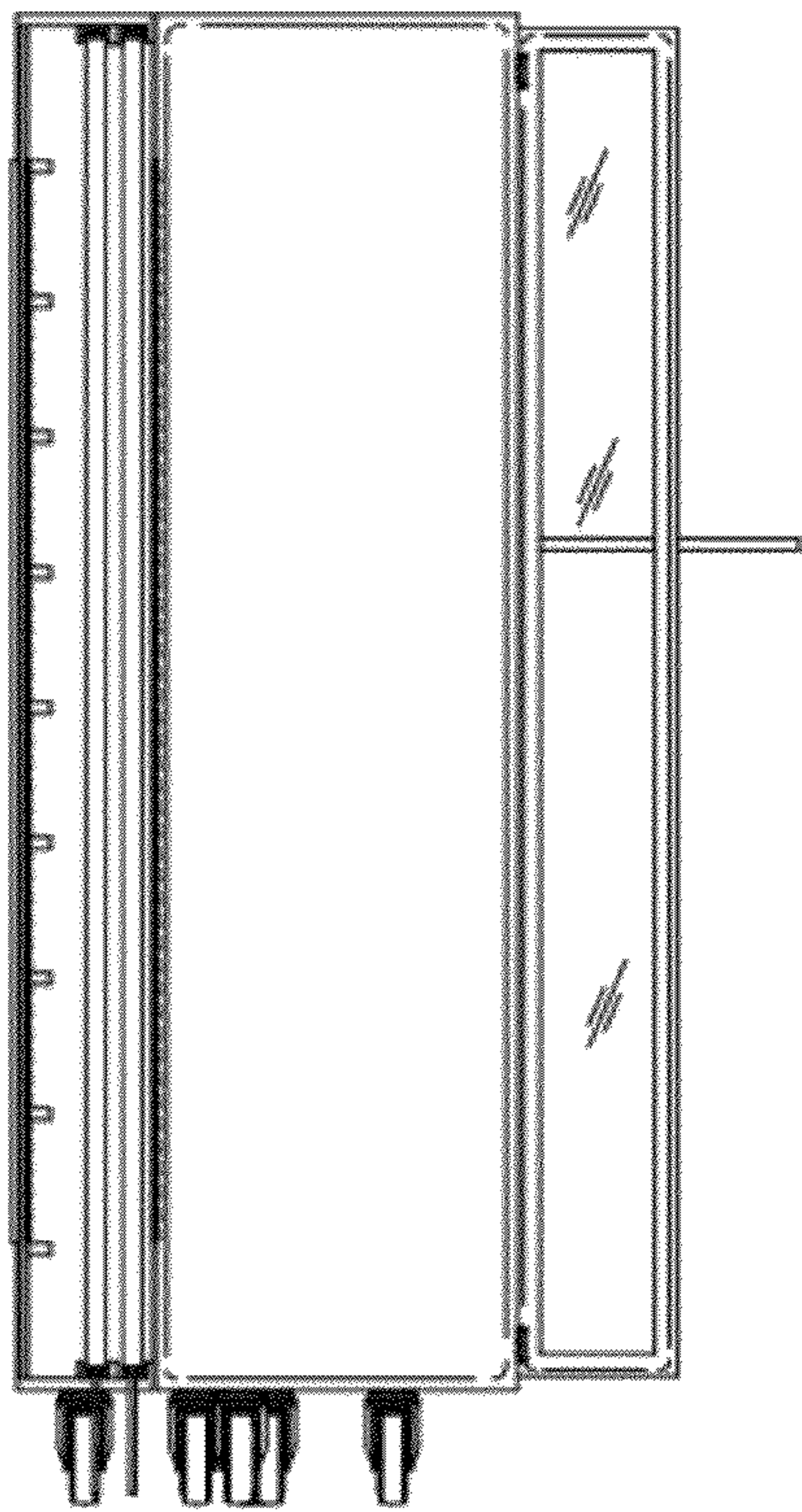


FIG. 4

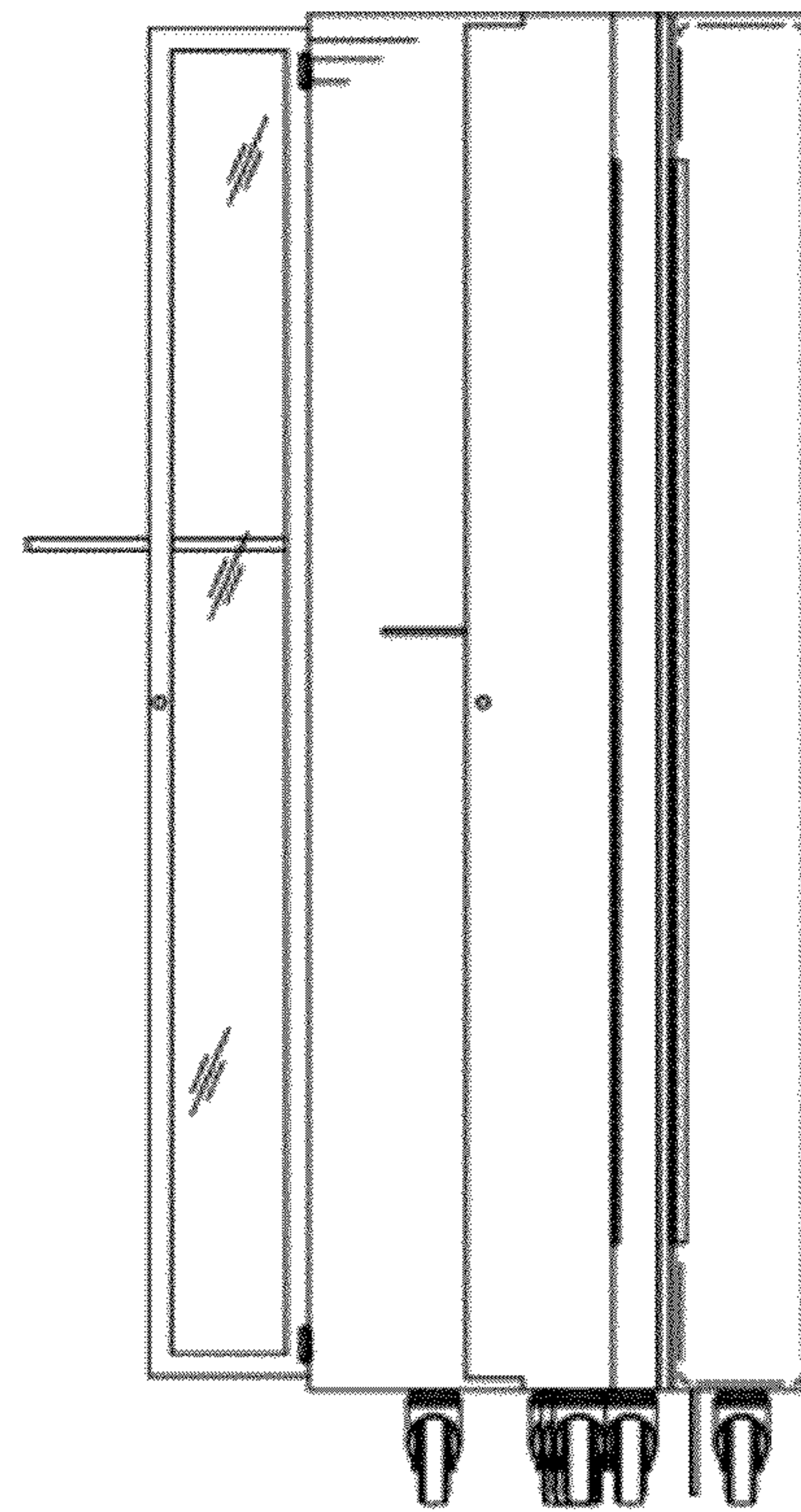


FIG. 5

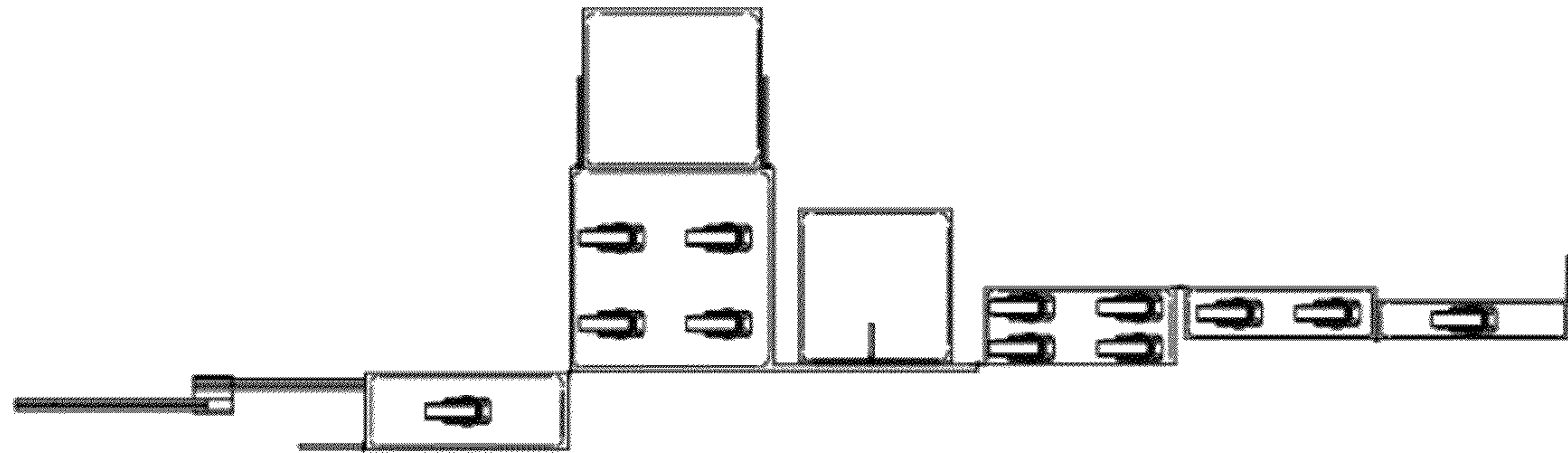


FIG. 6

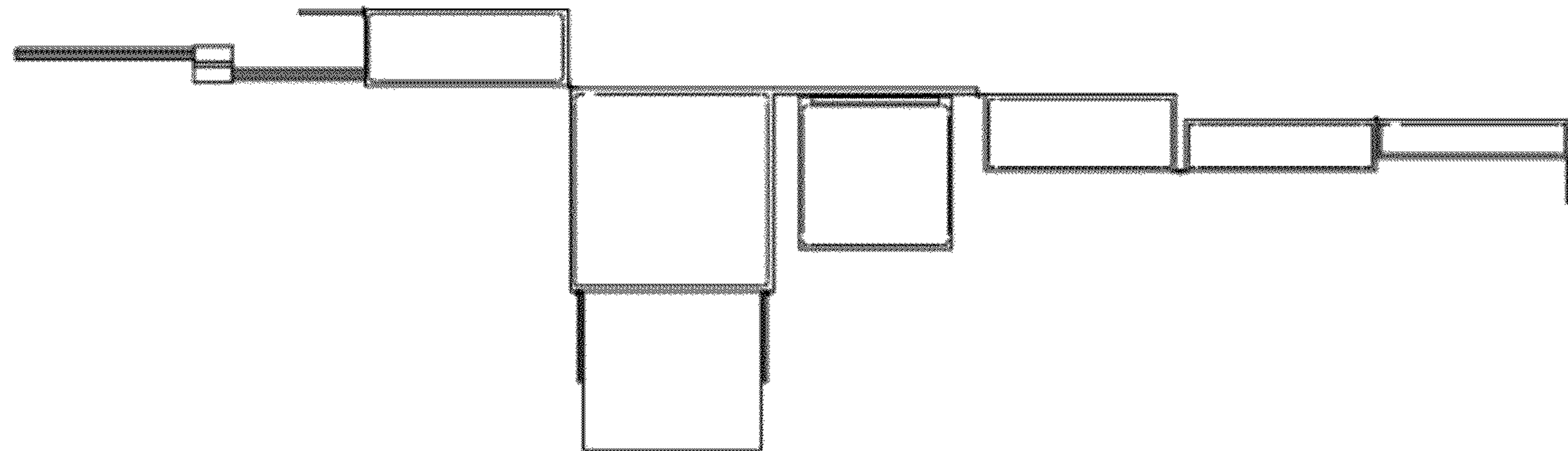


FIG. 7



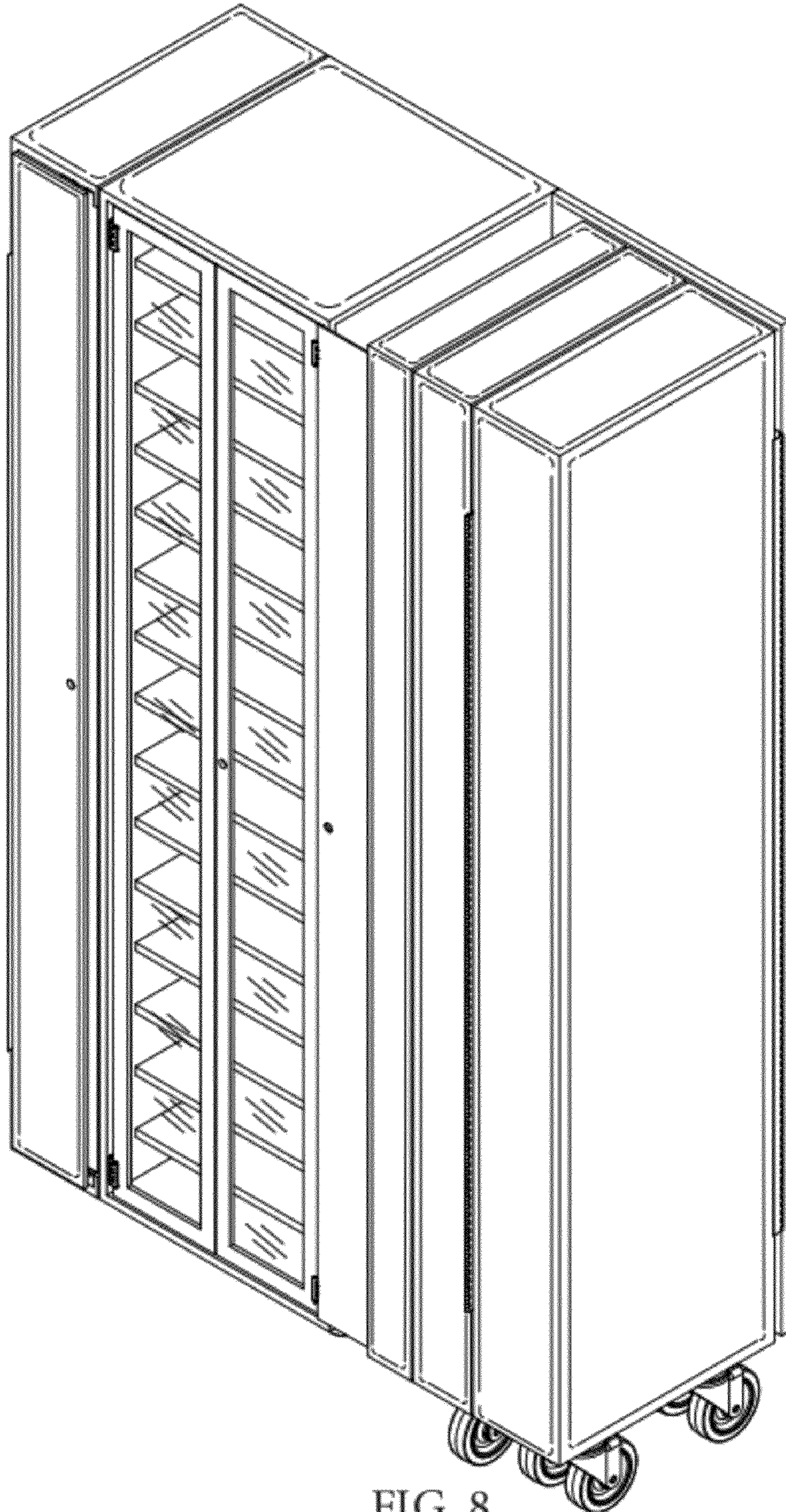


FIG. 8



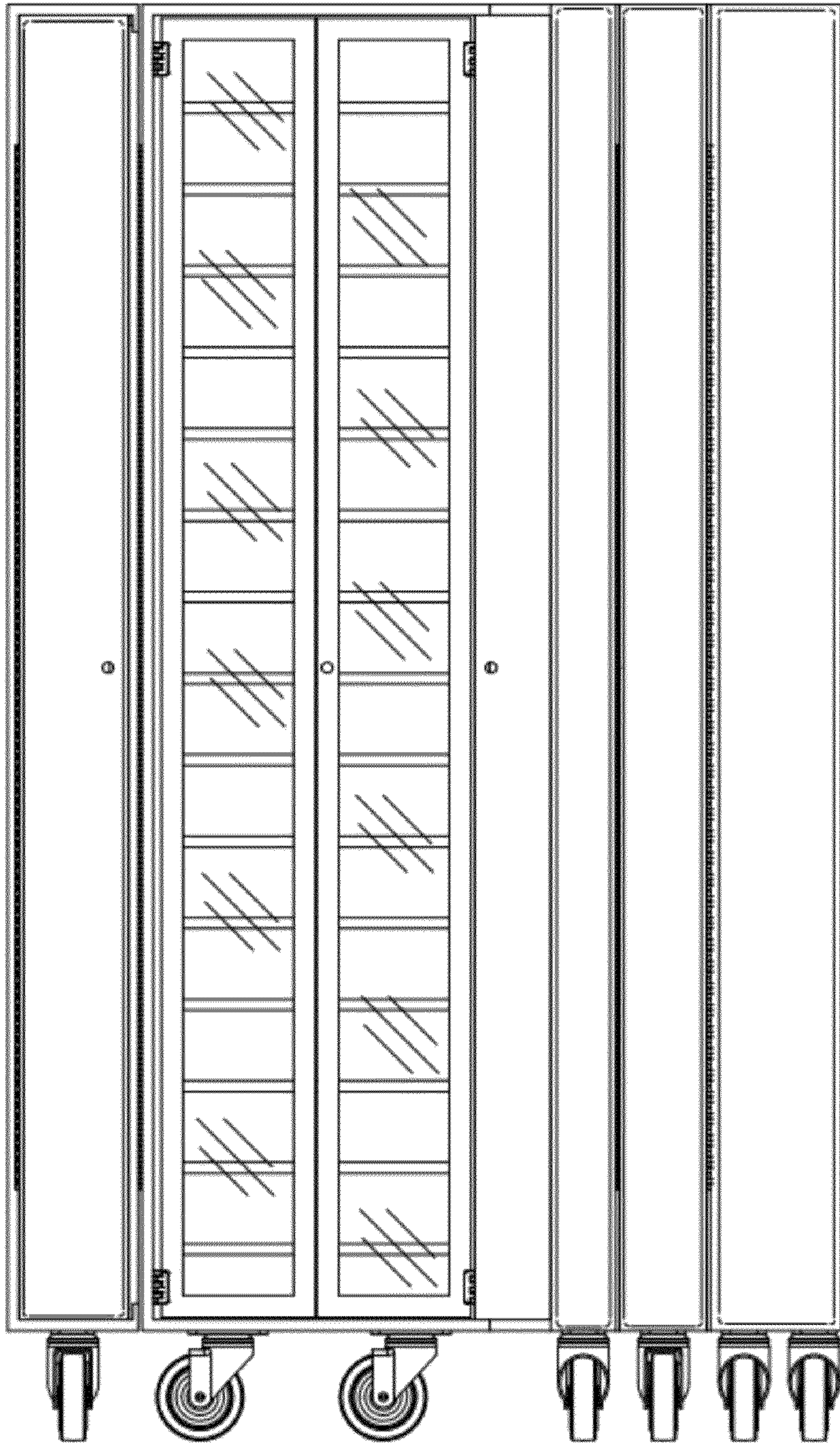


FIG. 9



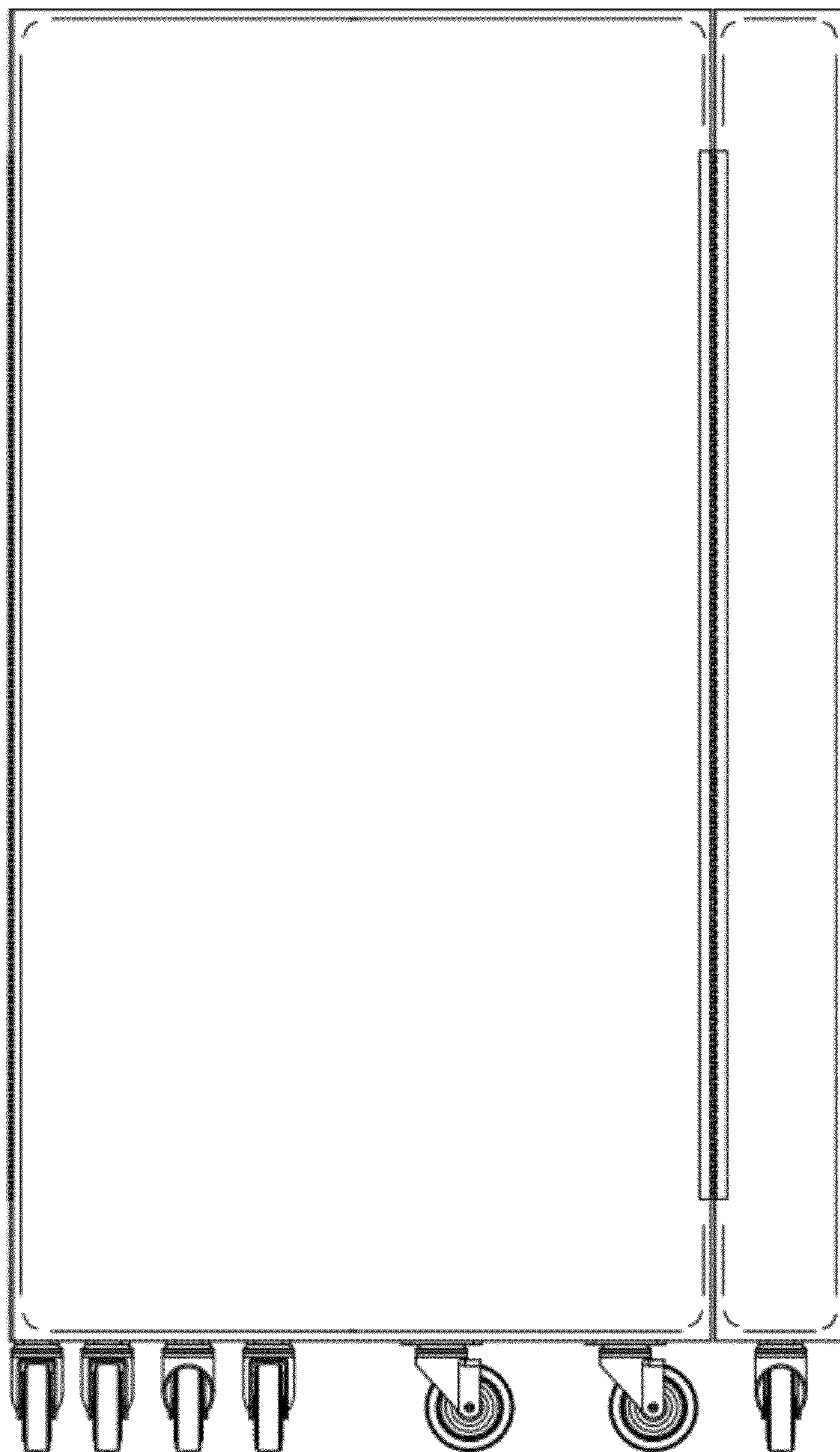


FIG. 10



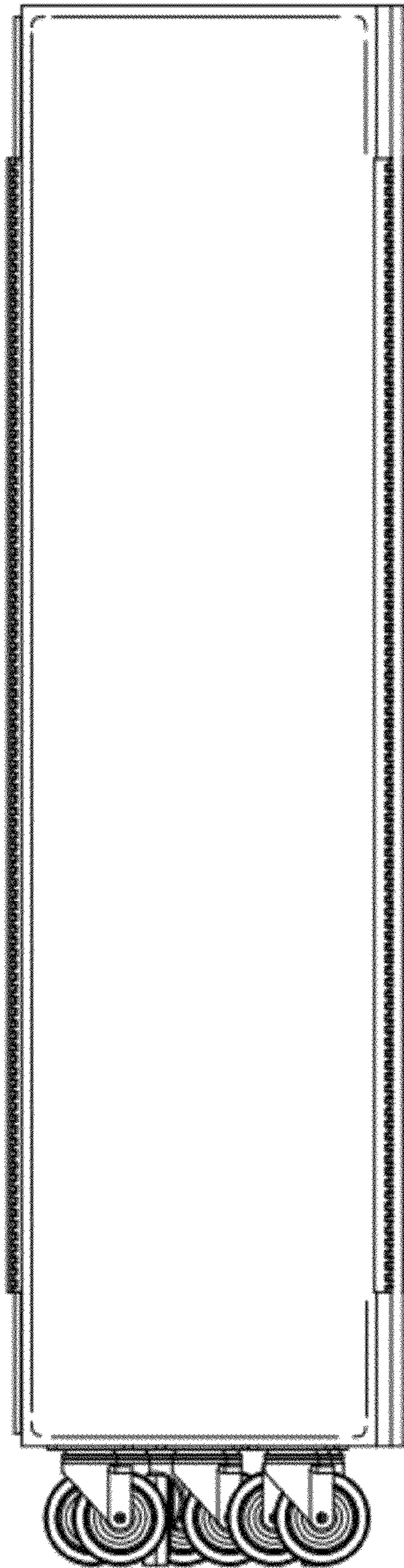


FIG. 11

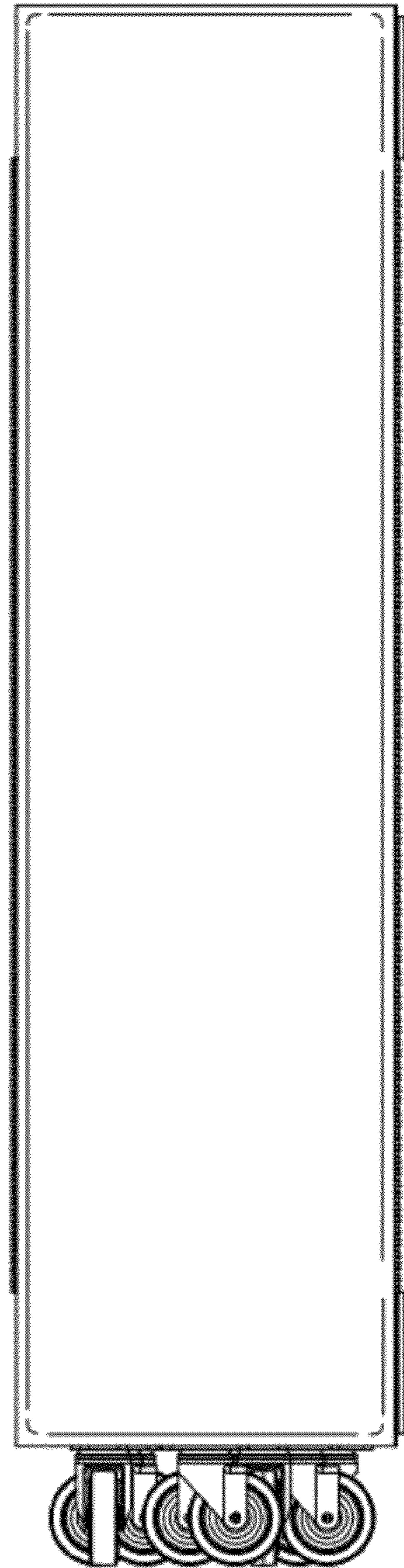


FIG. 12



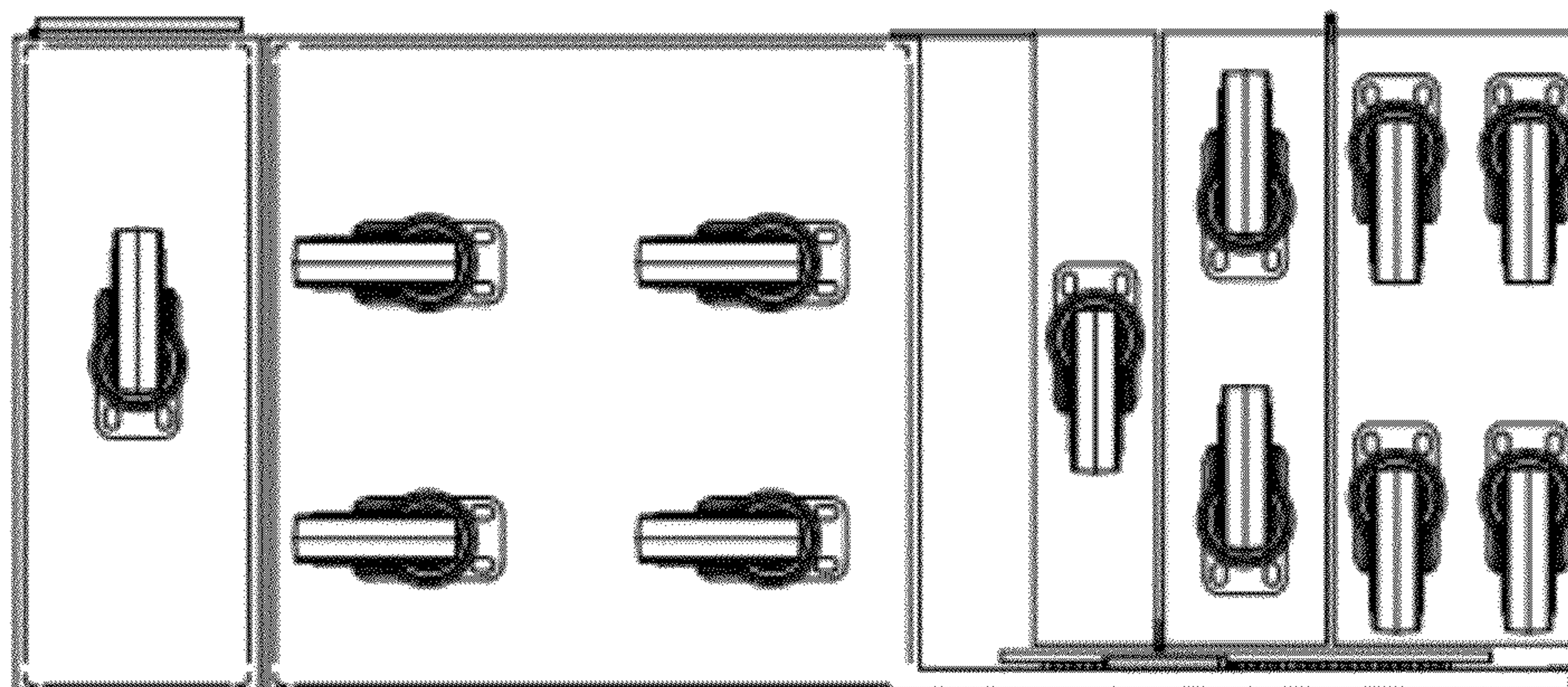


FIG. 13

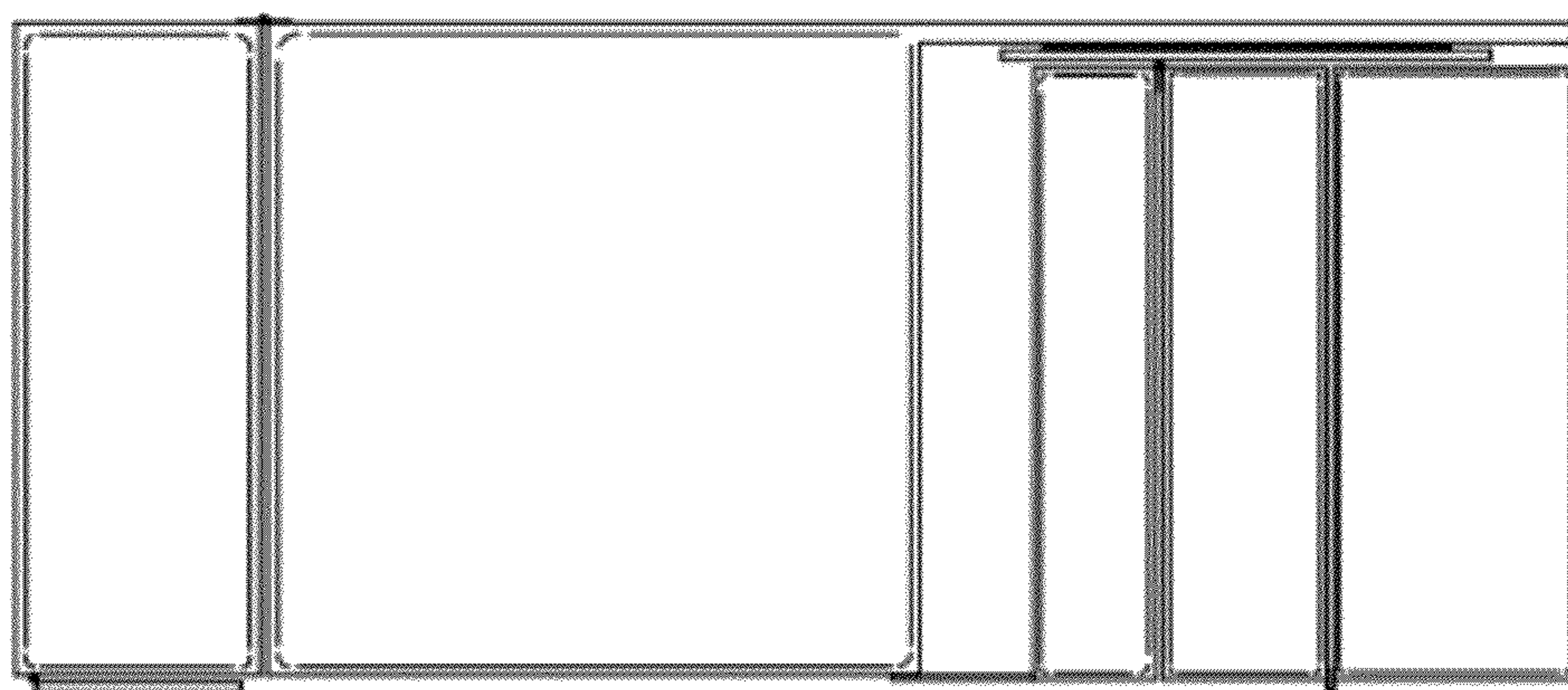


FIG. 14