



US00D655943S

(12) **United States Design Patent**
Schmitt

(10) **Patent No.:** **US D655,943 S**
(45) **Date of Patent:** **** Mar. 20, 2012**

- (54) **DRESSER WITH MIRROR**
- (75) Inventor: **Jack Schmitt**, San Juan Capistrano, CA (US)
- (73) Assignee: **Amini Innovation Corporation**, Pico Rivera, CA (US)
- (**) Term: **14 Years**
- (21) Appl. No.: **29/367,860**
- (22) Filed: **Aug. 13, 2010**
- (51) **LOC (9) Cl.** **06-04**
- (52) **U.S. Cl.** **D6/444**
- (58) **Field of Classification Search** D6/300,
D6/432, 434, 436, 337, 338, 339, 441, 442,
D6/444, 445-448, 470, 471, 472; 312/114,
312/117, 138.1, 204, 224, 227, 237, 257.1,
312/278-279
See application file for complete search history.

- D270,125 S 8/1983 Aulbert et al.
- D272,698 S 2/1984 Aulbert et al.
- D321,438 S 11/1991 Pauer et al.
- D341,502 S 11/1993 Ball
- D343,744 S 2/1994 Keller
- D346,915 S 5/1994 Roser, Jr.
- D350,656 S 9/1994 Ferguson
- D371,257 S 7/1996 Paus
- D373,033 S 8/1996 Rosebrock
- D374,569 S 10/1996 Paus
- D374,570 S 10/1996 Keller et al.
- D374,783 S 10/1996 Keller et al.
- D383,330 S 9/1997 Lowery
- D384,518 S 10/1997 Bergelin
- D387,568 S 12/1997 Walters, III et al.
- D387,580 S 12/1997 Walters et al.
- D387,925 S 12/1997 Keller et al.
- D400,733 S 11/1998 O'Hare
- D404,223 S 1/1999 Bargagli-Stoffi

(Continued)

OTHER PUBLICATIONS

Ethan Allen Circular, Legacy Collection Dresser with Mirror (reflected in mirror), p. 5, 1996.

(Continued)

(56) **References Cited**

U.S. PATENT DOCUMENTS

- 107,479 A 9/1870 Gilman
- 2,009,225 A 7/1935 Farrar
- D109,986 S 6/1938 Hickerson
- D143,189 S 12/1945 Colef
- D198,795 S 8/1964 Hekler
- D208,029 S 7/1967 Mulder
- D216,709 S * 3/1970 Chapin D6/441
- D223,205 S * 3/1972 Adkinson D6/434
- D227,838 S 7/1973 Adkinson
- D234,177 S 1/1975 Keller
- D241,210 S 8/1976 Elsen
- D241,211 S 8/1976 Eisen
- D242,678 S 12/1976 Adkinson
- D258,331 S 2/1981 Brown
- D258,333 S 2/1981 Brown
- D265,155 S 6/1982 Bravo
- D269,927 S 8/1983 Aulbert et al.

Primary Examiner — Mimoso De
(74) *Attorney, Agent, or Firm* — Cislo & Thomas, LLP

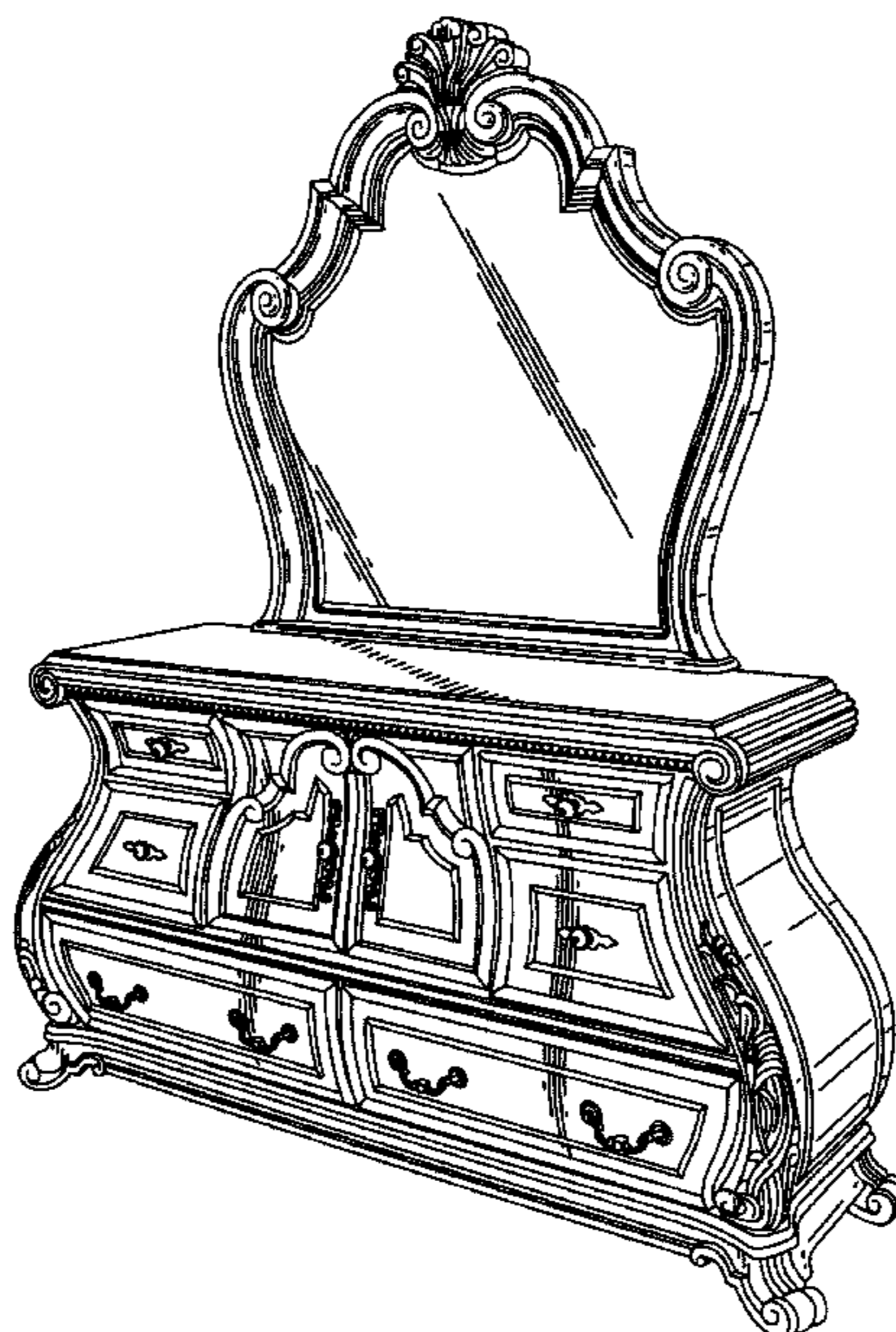
(57) **CLAIM**

I claim the ornamental design for a dresser with mirror, as shown and described.

DESCRIPTION

FIG. 1 is a perspective view of my dresser with mirror;
FIG. 2 is a front view thereof;
FIG. 3 is a left side view, the right side (not shown) is a mirror image thereof; and,
FIG. 4 is a top view of my dresser with mirror.

1 Claim, 4 Drawing Sheets



U.S. PATENT DOCUMENTS

D406,202 S 3/1999 Zaidman
 D409,844 S 5/1999 Cain
 D411,050 S 6/1999 Keller et al.
 D412,413 S 8/1999 Keller et al.
 D418,328 S 1/2000 O'Hare
 D419,796 S 2/2000 O'Hare
 D424,831 S 5/2000 O'Hare
 D425,329 S 5/2000 O'Hare
 D437,150 S 2/2001 Cain
 D437,503 S 2/2001 Ungaro
 D443,438 S 6/2001 O'Hare et al.
 D447,887 S 9/2001 O'Hare et al.
 D448,205 S 9/2001 O'Hare et al.
 D450,203 S 11/2001 Vaaler
 D451,700 S 12/2001 Vaaler
 D454,729 S 3/2002 Vaaler
 D455,275 S 4/2002 Vaaler
 D459,111 S 6/2002 Tobin, Jr.
 D467,095 S 12/2002 Vaaler
 D468,930 S 1/2003 Berry, Jr. et al.
 D469,626 S 2/2003 Vaaler
 D469,627 S 2/2003 Stanton
 D469,631 S 2/2003 Vaaler
 D469,982 S 2/2003 Warren et al.
 D469,984 S 2/2003 O'Hare
 D470,686 S 2/2003 O'Hare
 D472,733 S 4/2003 McDaniel et al.
 D473,400 S 4/2003 O'Hare
 D474,054 S 5/2003 Warren et al.
 D474,922 S 5/2003 Vaaler
 D475,868 S 6/2003 Vaaler
 D476,505 S 7/2003 Lenger
 D477,725 S 7/2003 McDaniel et al.
 D480,236 S 10/2003 Schmitt
 D480,896 S 10/2003 Paus
 D480,898 S 10/2003 Schmitt
 D481,555 S 11/2003 Schmitt
 D482,901 S 12/2003 Stanton
 D483,962 S 12/2003 Stanton
 D484,319 S 12/2003 Domack
 D485,079 S 1/2004 Warren et al.
 D487,201 S 3/2004 Schmitt
 D487,202 S 3/2004 Schmitt
 D487,548 S 3/2004 Schmitt
 D488,638 S 4/2004 Stanton
 D488,936 S 4/2004 Schmitt
 D490,626 S 6/2004 Risdon et al.
 D508,795 S 8/2005 Mirchand
 D511,906 S 11/2005 Mohundro
 D513,673 S 1/2006 Domack et al.
 D513,886 S 1/2006 Mohundro
 D514,823 S 2/2006 Domack et al.
 D516,343 S 3/2006 Domack et al.
 D518,311 S 4/2006 Domack et al.
 D519,286 S 4/2006 Domack et al.
 D524,060 S 7/2006 Schmitt
 D524,554 S 7/2006 Schmitt
 D524,556 S 7/2006 Schmitt
 D525,048 S 7/2006 Mohundro
 D525,438 S 7/2006 Schmitt
 D526,130 S 8/2006 Mohundro
 D526,142 S 8/2006 Schmitt
 D526,510 S 8/2006 Schmitt
 D526,793 S 8/2006 Schmitt

D527,203 S 8/2006 Schmitt
 D527,206 S 8/2006 Domack et al.
 D527,547 S 9/2006 Domack et al.
 D528,325 S 9/2006 Schmitt
 D529,310 S 10/2006 Schmitt
 D530,116 S 10/2006 Schmitt
 D530,538 S 10/2006 Schmitt
 D530,539 S 10/2006 Schmitt
 D531,427 S 11/2006 Schmitt
 D532,214 S 11/2006 Schmitt
 D532,625 S 11/2006 Schmitt
 D532,997 S 12/2006 Schmitt
 D547,568 S 7/2007 Mohundro
 D551,879 S 10/2007 Janke et al.
 D555,934 S 11/2007 Thompson
 D556,472 S 12/2007 Janke et al.
 D557,037 S 12/2007 O'Hare et al.
 D562,587 S 2/2008 Schmitt
 D564,783 S 3/2008 Schmitt
 D564,784 S 3/2008 Schmitt
 D564,785 S 3/2008 Schmitt
 D568,633 S 5/2008 Domack et al.
 D579,214 S 10/2008 Hassett, Jr.
 D583,570 S 12/2008 Mohundro
 D586,581 S 2/2009 Schmitt
 D587,932 S 3/2009 Domack et al.
 D588,836 S 3/2009 Everson et al.
 D593,774 S 6/2009 Schmitt
 D603,622 S * 11/2009 Schmitt D6/444
 D605,873 S * 12/2009 Schmitt D6/441
 D637,014 S * 5/2011 Schmitt D6/444

OTHER PUBLICATIONS

Thomasville Catalog, Replicas 1662 Triple Dresser and Mirror, p. 2, 1983.
 America's Oak Furniture, Schiffer, 1988, Low Chest with Mirror, p. 90.
 Golden Oak Furniture, Warren, 1992, Dresser with Mirror, p. 140.
 Furniture Today, Genoa Collection Dresser with Mirror, p. 14, Oct. 11, 1999.
 Thomasville, Palais Jardin Mirror Dresser and Door Chest, p. 12, 2002.
 Furniture Today, Source Mktg. Group Mirror Dresser and Sumter Cabinet, p. 192, Oct. 14, 2002.
 Furniture Today, Union City Imports China Hutch, p. 158, Oct. 19, 1998.
 Furniture Today, AICO China Hutch, p. 15, Oct. 16, 2000.
 Furniture Today, Broyhill China Hutch, p. 11, Apr. 16, 2001.
 Furniture Today, Marge Carson Wall Unit, p. 126, Oct. 11, 1999.
 Furniture Today, Pulaski Armoire, p. 33, Apr. 15, 2002.
 Amini Innovation Corp. Monte Carlo Collection, #53000 Series, 2001, 2 pages.
 Amini Innovation Corp. La Francaise Collection, #50000 Series, Sep. 11, 2002, 5 pages.
 Amini Innovation Corp. Royal Oak Collection #31000 Series, Sep. 11, 2002, 1 page.
 Amini Innovation Corp. Torino Collection, #56000 Series, Apr. 18, 2002, 1 page.
 Amini Innovation Corp. Paradisio Collection #52000 Series, 2003, 1 page.
 Amini Innovation Corp. Trevi Collection, Sep. 20, 2004, 2 pages.

* cited by examiner

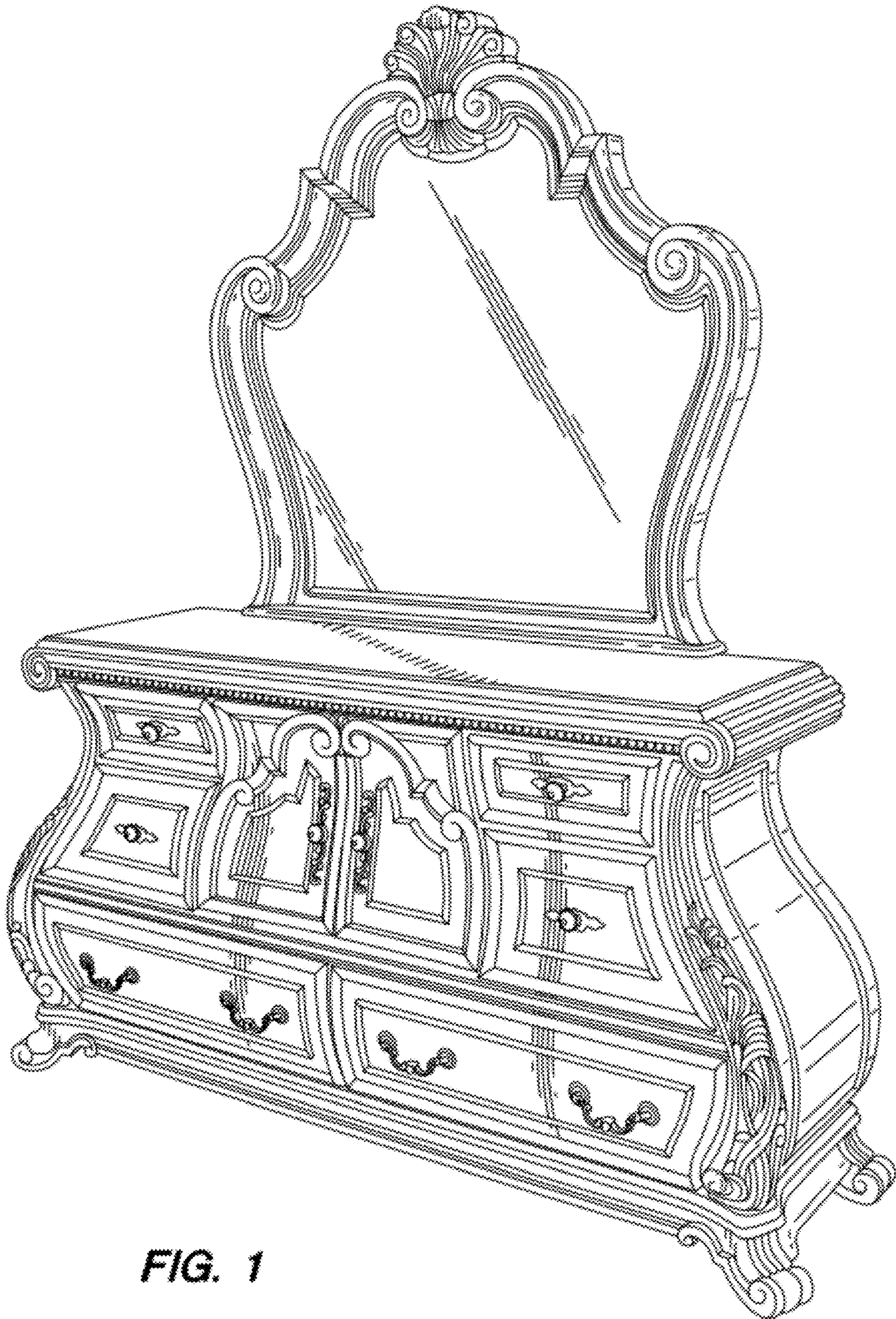


FIG. 1

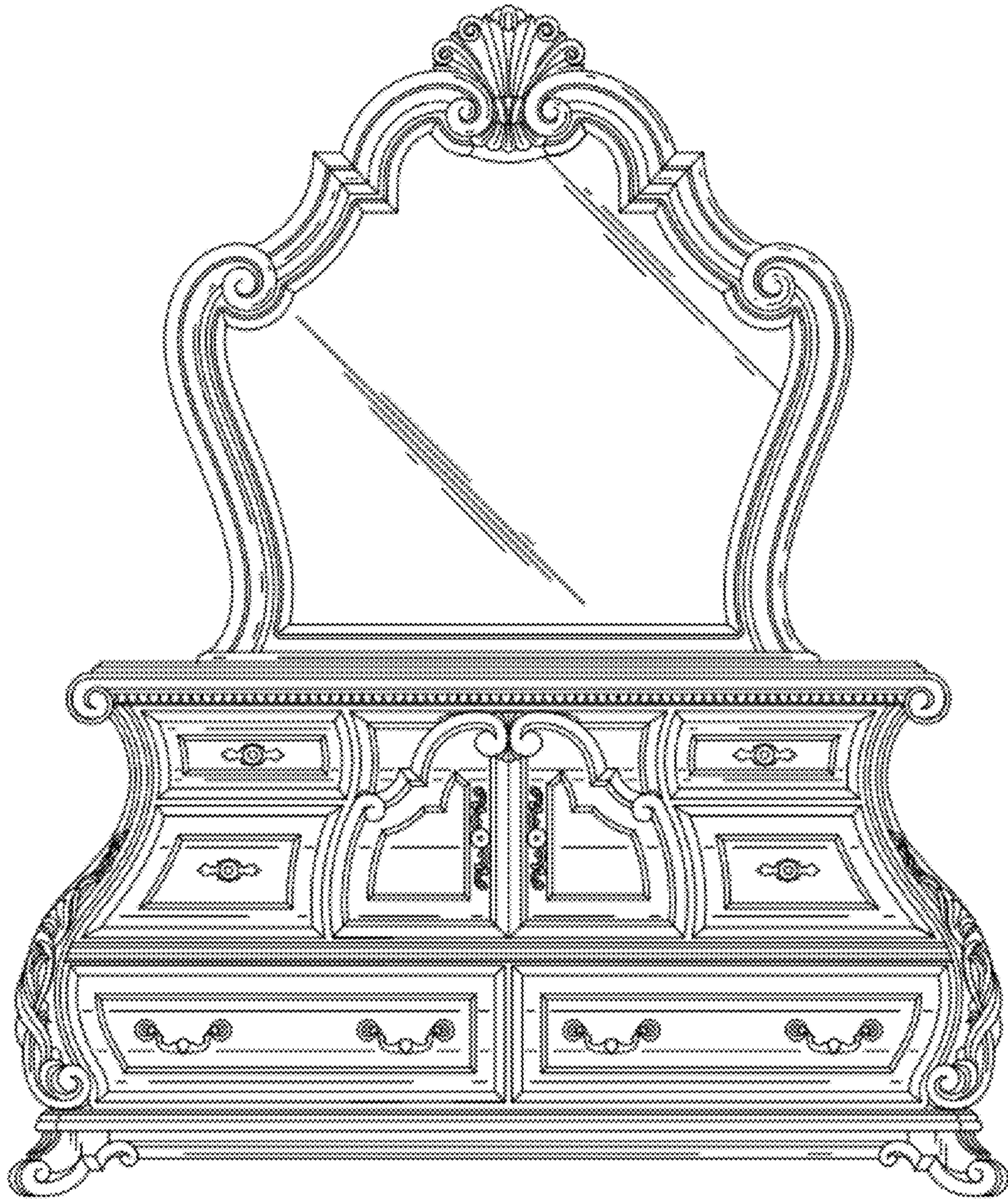


FIG. 2

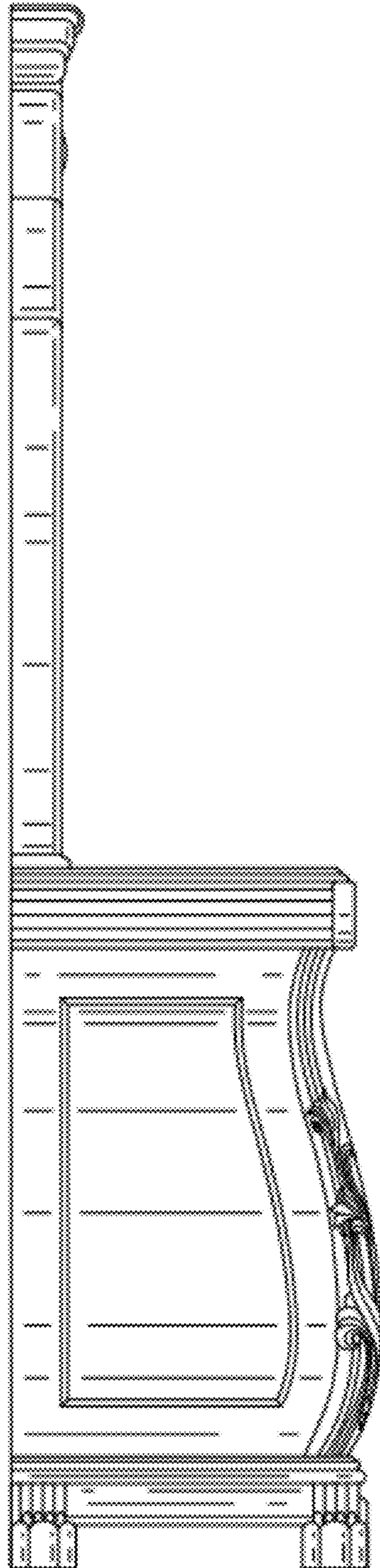


FIG. 3

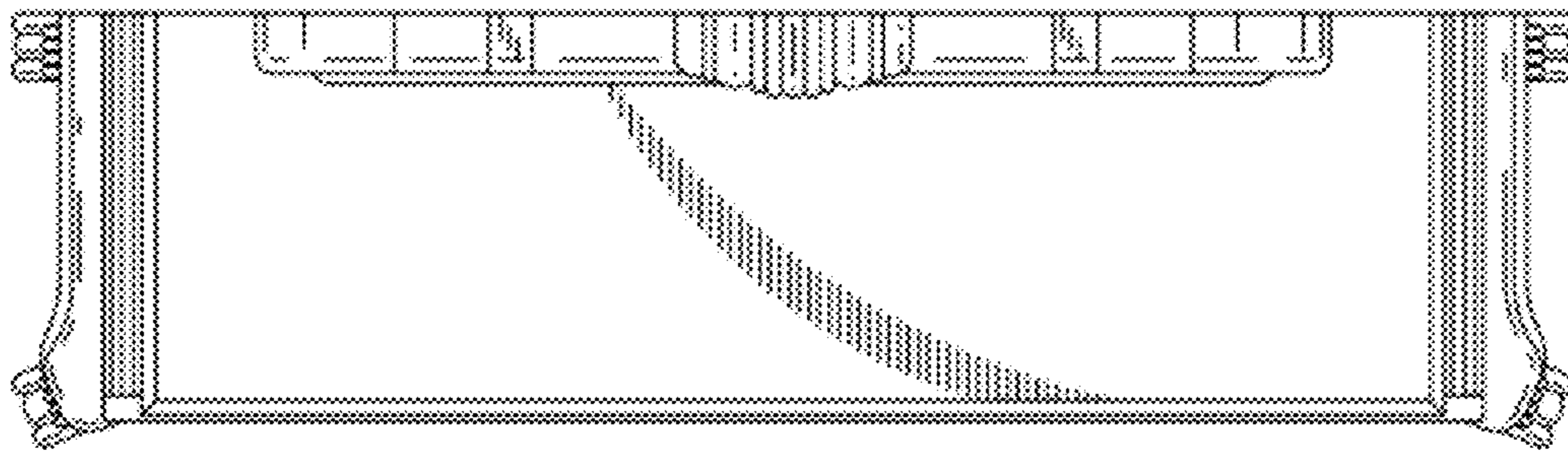


FIG. 4