



US00D655941S

(12) **United States Design Patent**  
**Horn et al.**

(10) **Patent No.:** **US D655,941 S**  
(45) **Date of Patent:** **\*\* Mar. 20, 2012**

(54) **MODULAR MERCHANDISING DISPLAY WALL**

D358,046 S \* 5/1995 Ferguson ..... D6/437  
D362,970 S \* 10/1995 Greene ..... D6/438  
D407,579 S \* 4/1999 Guerra et al. .... D6/437  
D416,144 S \* 11/1999 Walters et al. .... D6/437

(75) Inventors: **Brett Horn**, Durban (ZA); **Erika Gomez**, Atlanta, GA (US)

\* cited by examiner

(73) Assignee: **The Coca-Cola Company**, Atlanta, GA (US)

*Primary Examiner* — Mimoso De

(74) *Attorney, Agent, or Firm* — Michael J. Kline

(\*\*) Term: **14 Years**

(57) **CLAIM**

(21) Appl. No.: **29/367,349**

We claim the ornamental design for a modular merchandising display wall, as shown and described.

(22) Filed: **Aug. 6, 2010**

**DESCRIPTION**

(51) **LOC (9) Cl.** ..... **06-04**

(52) **U.S. Cl.** ..... **D6/437**

(58) **Field of Classification Search** ..... D6/396,  
D6/397, 432, 436, 437, 438, 439, 440, 441,  
D6/445, 446, 447, 448; 312/107, 114, 138.1,  
312/204, 224, 237, 257.1, 330.1  
See application file for complete search history.

FIG. 1 is a front, left side, perspective view of a modular merchandising display wall showing our new design; FIG. 2 is a left side elevational view thereof; FIG. 3 is a front elevational view thereof; FIG. 4 is a right side elevational view thereof; FIG. 5 is a back elevational view thereof; FIG. 6 is a top plan view thereof; and, FIG. 7 is a bottom plan view thereof.

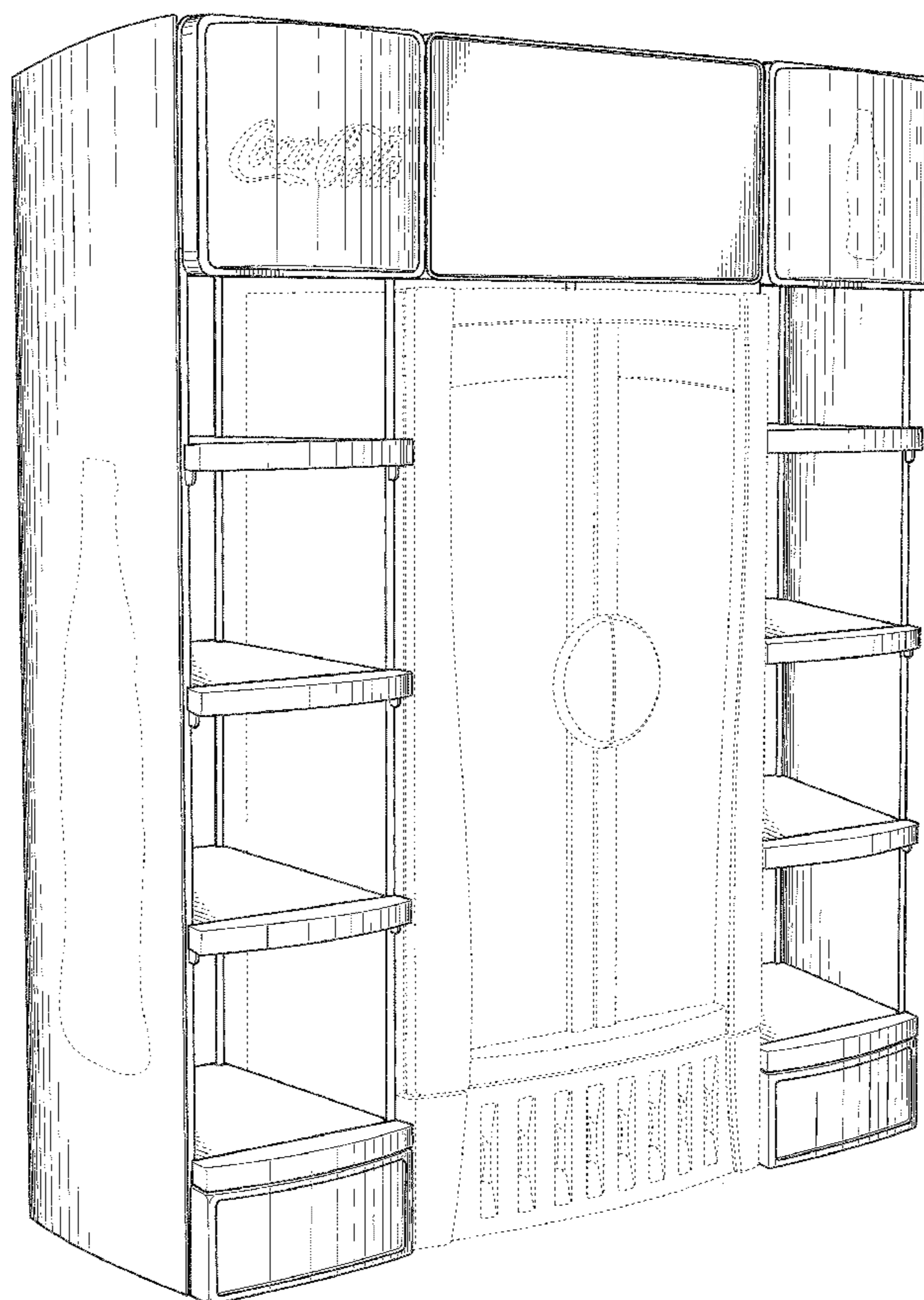
The broken lines in the drawings are for illustrative purposes only and form no part of the claimed design.

(56) **References Cited**

U.S. PATENT DOCUMENTS

D150,053 S \* 6/1948 Brunmark ..... D6/436  
D300,887 S \* 5/1989 Evans ..... D6/436

**1 Claim, 7 Drawing Sheets**



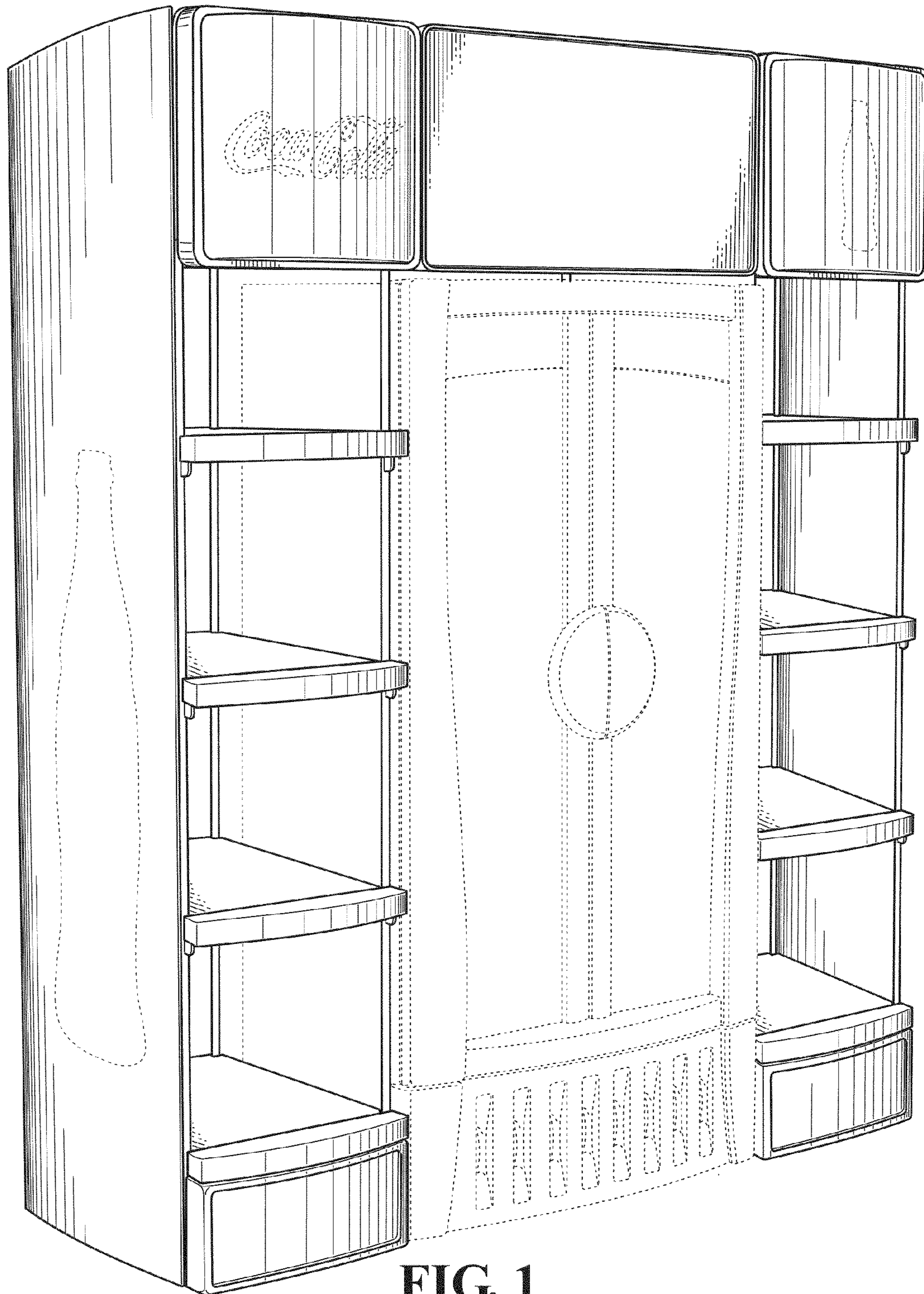


FIG. 1

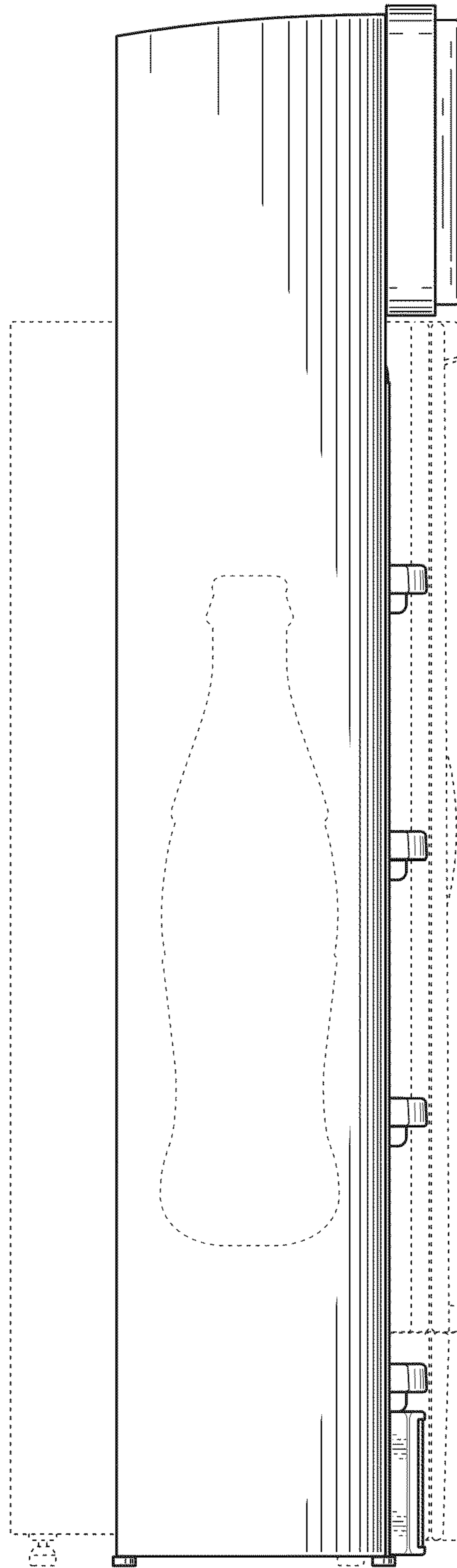


FIG. 2

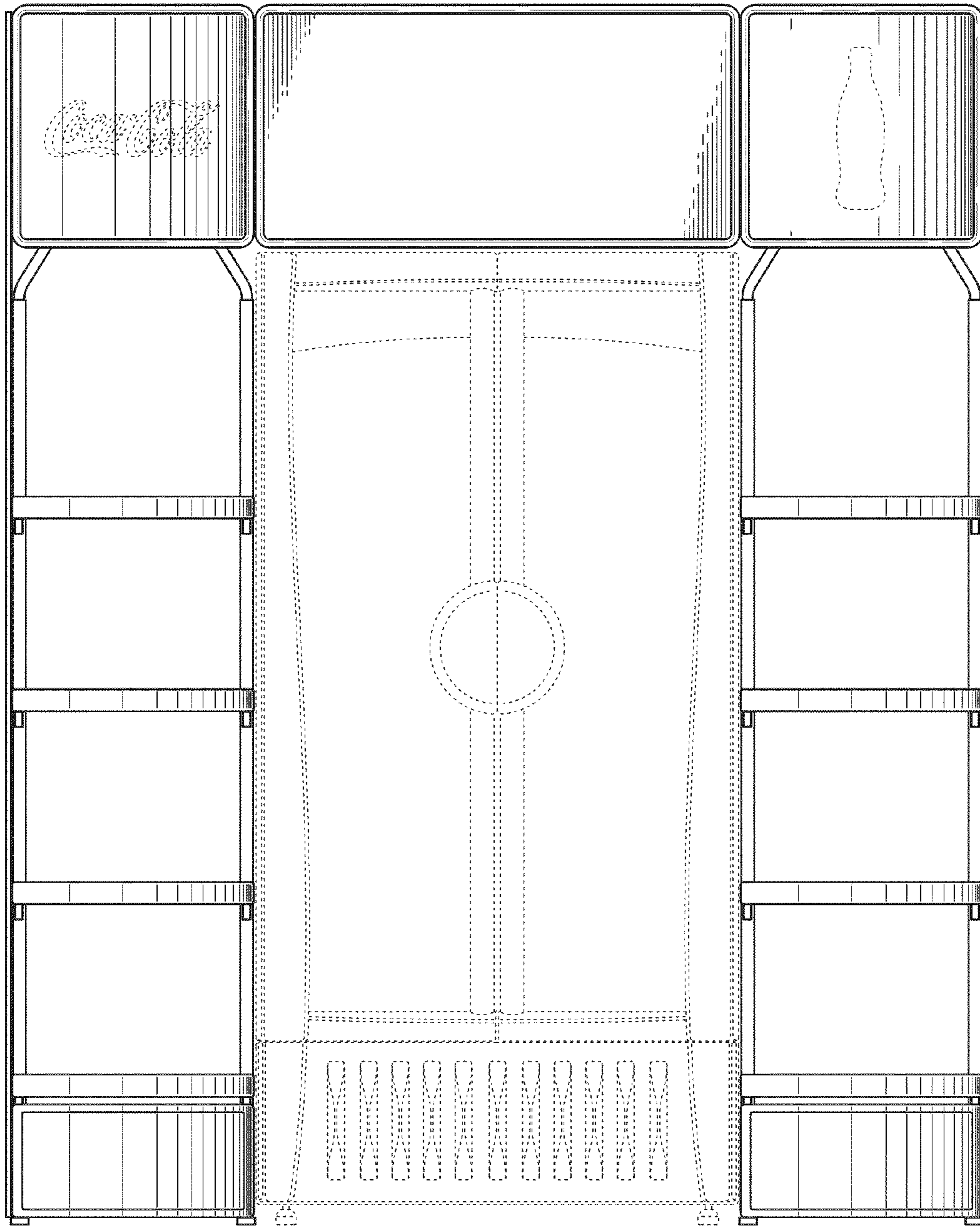


FIG. 3

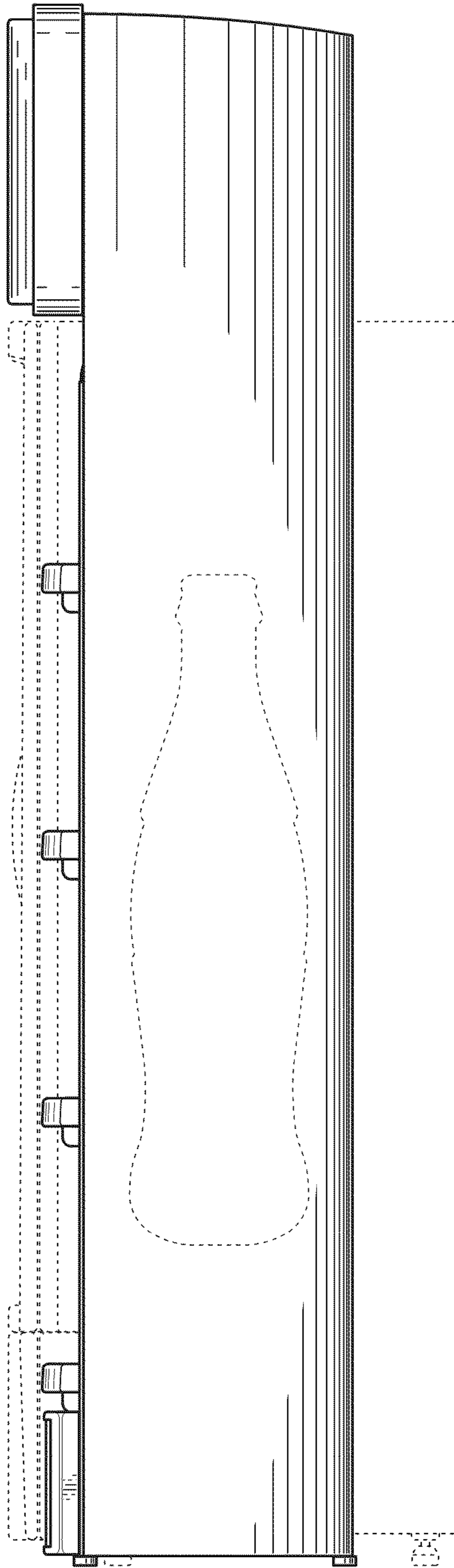


FIG. 4

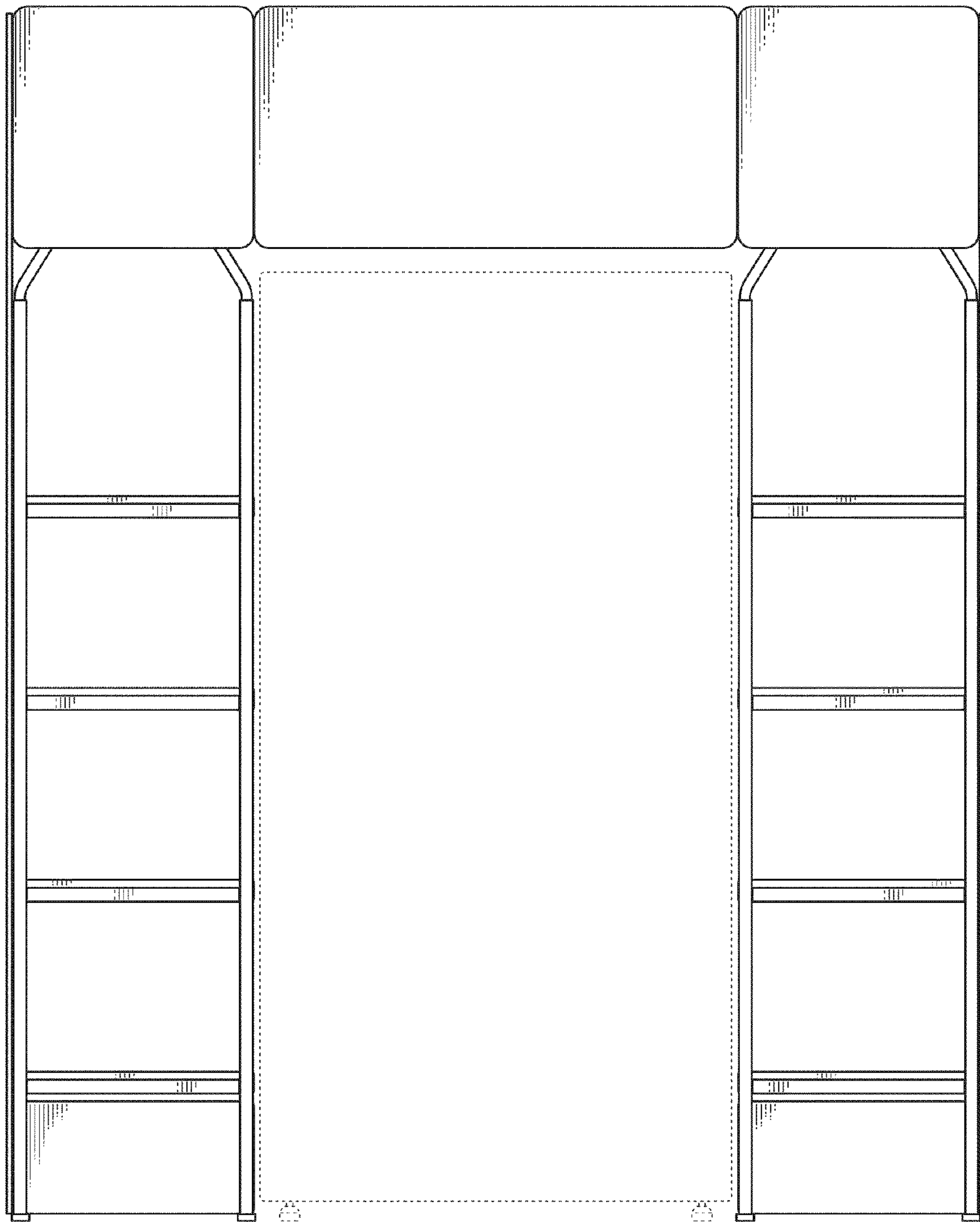


FIG. 5

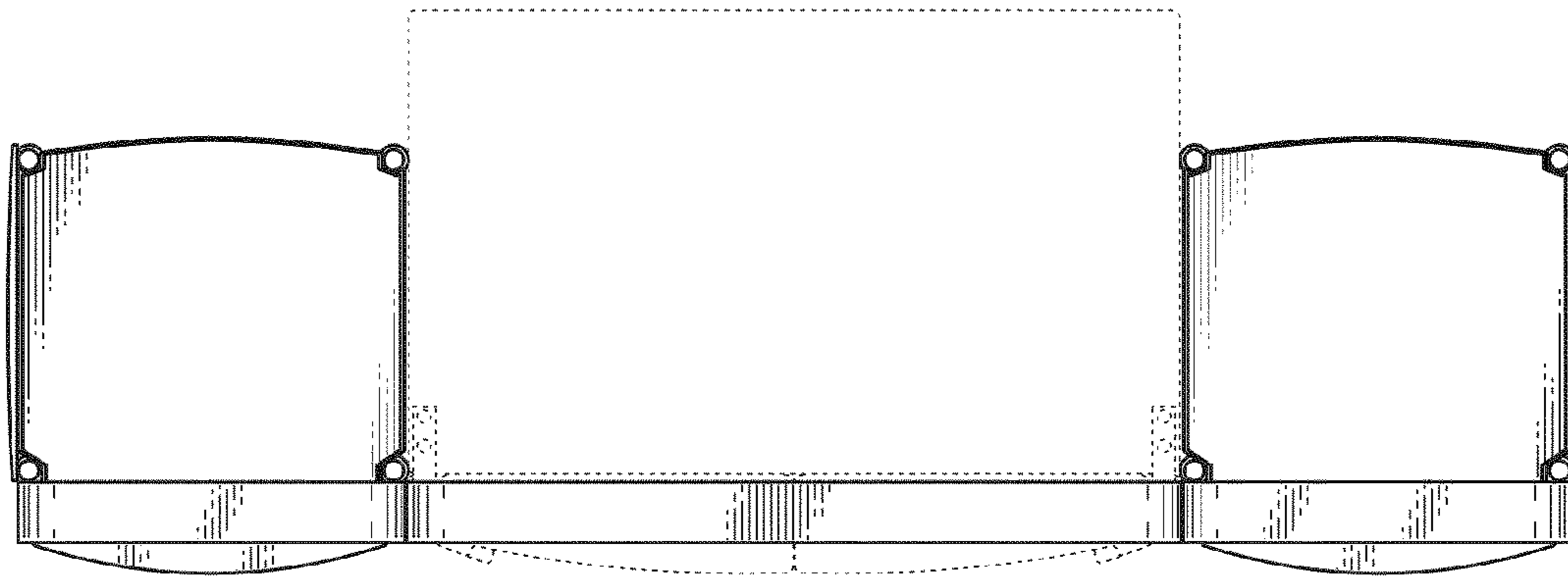


FIG. 6



FIG. 7