



US00D655939S

(12) **United States Design Patent**  
**Tracy**

(10) **Patent No.:** **US D655,939 S**

(45) **Date of Patent:** **\*\* Mar. 20, 2012**

(54) **CUTTING BOARD WITH CONDIMENT CADDY**

(76) Inventor: **Keith Tracy**, Walpole, MA (US)

(\*\*) Term: **14 Years**

(21) Appl. No.: **29/367,329**

(22) Filed: **Aug. 6, 2010**

(51) **LOC (9) Cl.** ..... **06-02**

(52) **U.S. Cl.** ..... **D6/397**

(58) **Field of Classification Search** ..... D6/396,  
D6/397, 476, 496, 406.3, 432, 466, 480;  
211/71.01, 74, 13.1, 133.1; D10/46.2; 312/290,  
312/351; D7/590, 632, 708; 366/130, 602;  
206/427, 562; 269/289 R, 302.1

See application file for complete search history.

(56) **References Cited**

**U.S. PATENT DOCUMENTS**

D254,529 S	3/1980	Arnoff	
D283,777 S	5/1986	Morin	
D339,722 S	9/1993	Ancona et al.	
D341,298 S *	11/1993	Ancona et al.	D7/698
5,341,793 A	8/1994	Brown	
D372,176 S *	7/1996	Meisner	D7/698
D381,564 S	7/1997	Kolada	
D390,072 S	2/1998	Miller	

6,478,292 B1	11/2002	Sellers	
6,536,753 B1	3/2003	Keener	
D477,188 S *	7/2003	Faria	D7/590
D573,419 S *	7/2008	Kaposi	D7/698
7,422,201 B2 *	9/2008	Pearl et al.	269/289 R
D587,031 S *	2/2009	Pourounidis et al.	D6/397
2007/0001359 A1 *	1/2007	Pearl et al.	269/289 R

\* cited by examiner

*Primary Examiner* — Raphael Barkai

*Assistant Examiner* — Randall Gholson

(74) *Attorney, Agent, or Firm* — Montgomery Patent & Design, LLC; Robert C. Montgomery; Joseph T. Yaksich

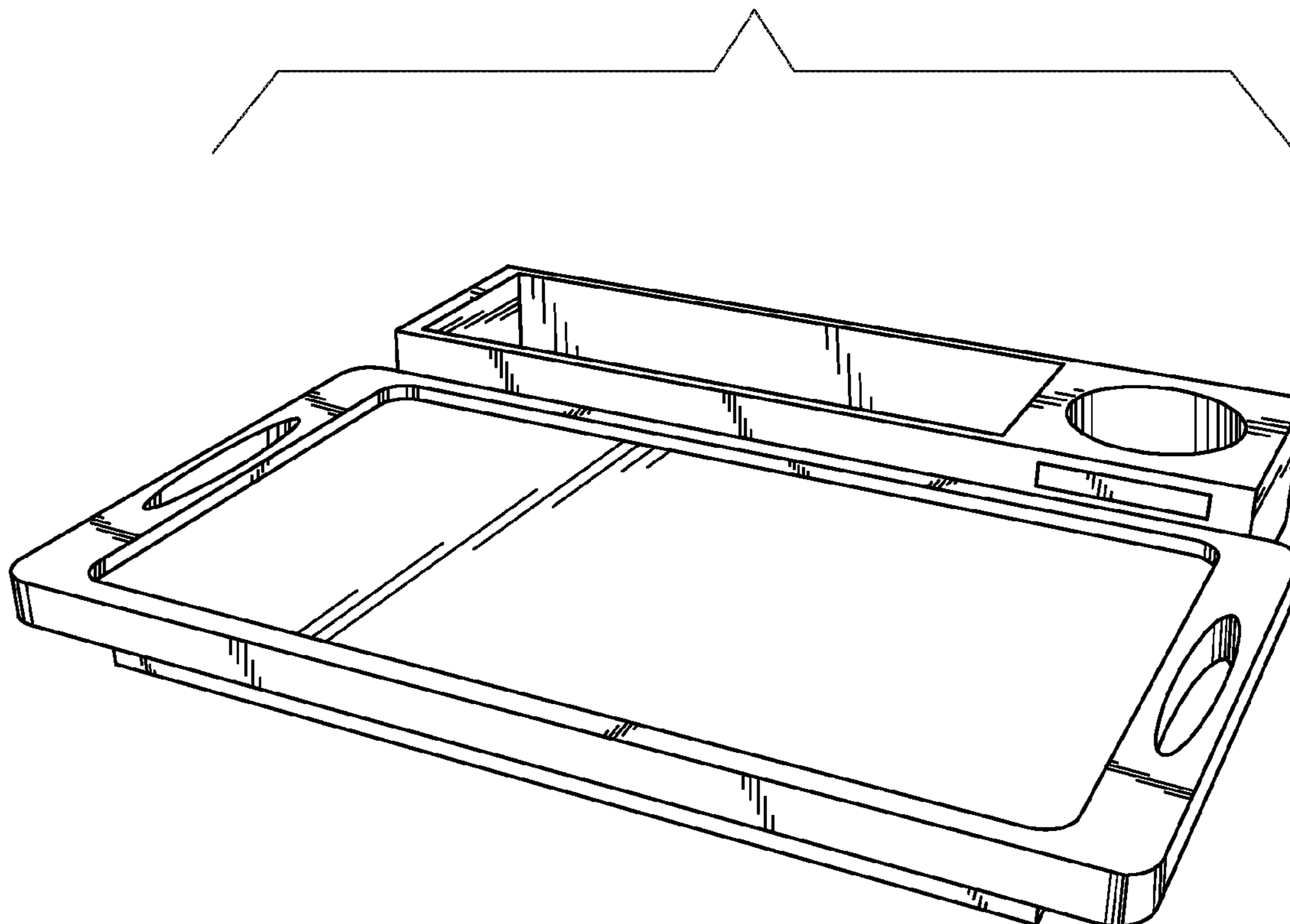
(57) **CLAIM**

The ornamental design for a cutting board with condiment caddy, as shown and described.

**DESCRIPTION**

FIG. 1 is a front perspective view of a cutting board with condiment caddy, showing my new design;  
FIG. 2 is a front view thereof;  
FIG. 3 is a rear view thereof;  
FIG. 4 is a left side view thereof;  
FIG. 5 is a right side view thereof;  
FIG. 6 is a top view thereof; and,  
FIG. 7 is a bottom view thereof.

**1 Claim, 5 Drawing Sheets**



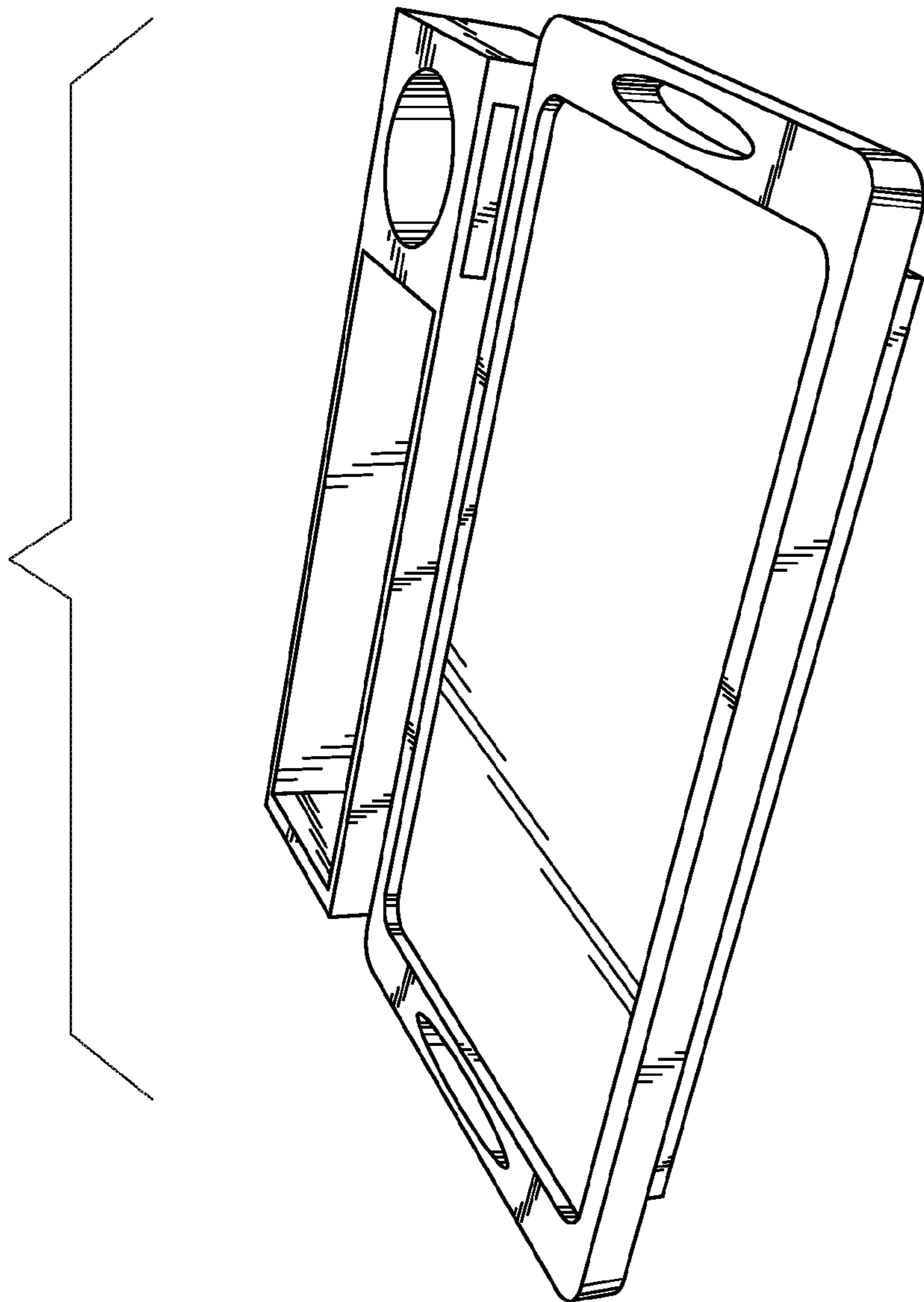


Fig. 1

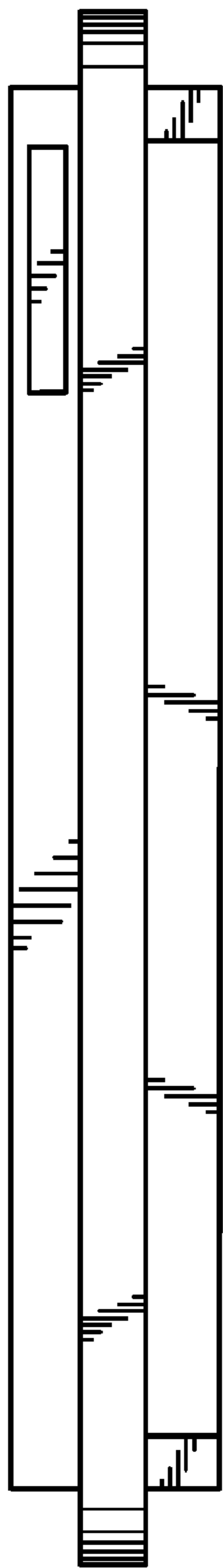


Fig. 2

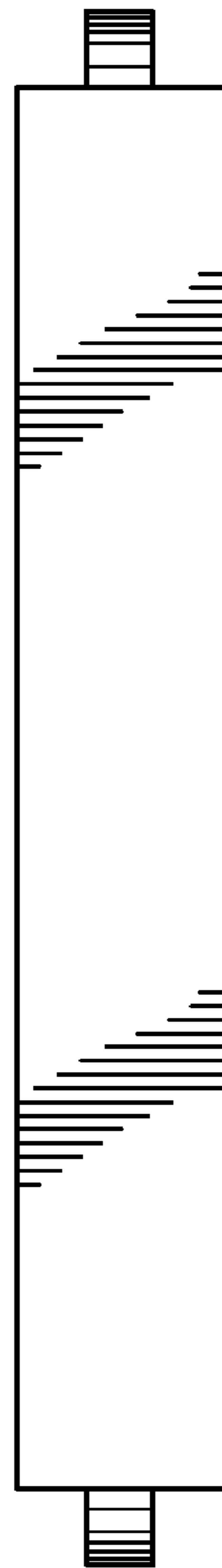


Fig. 3

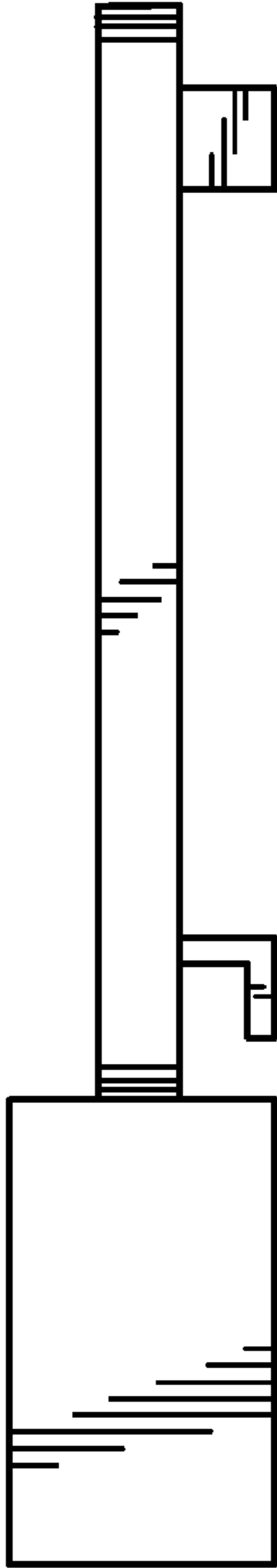


Fig. 4

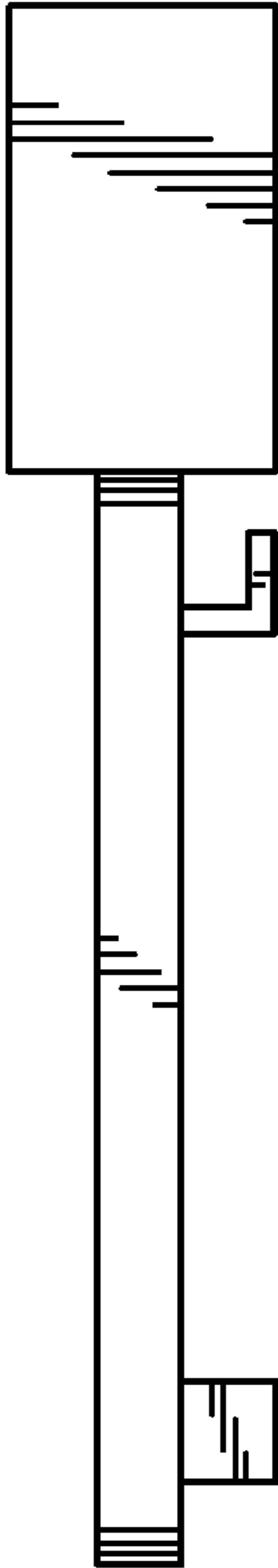


Fig. 5

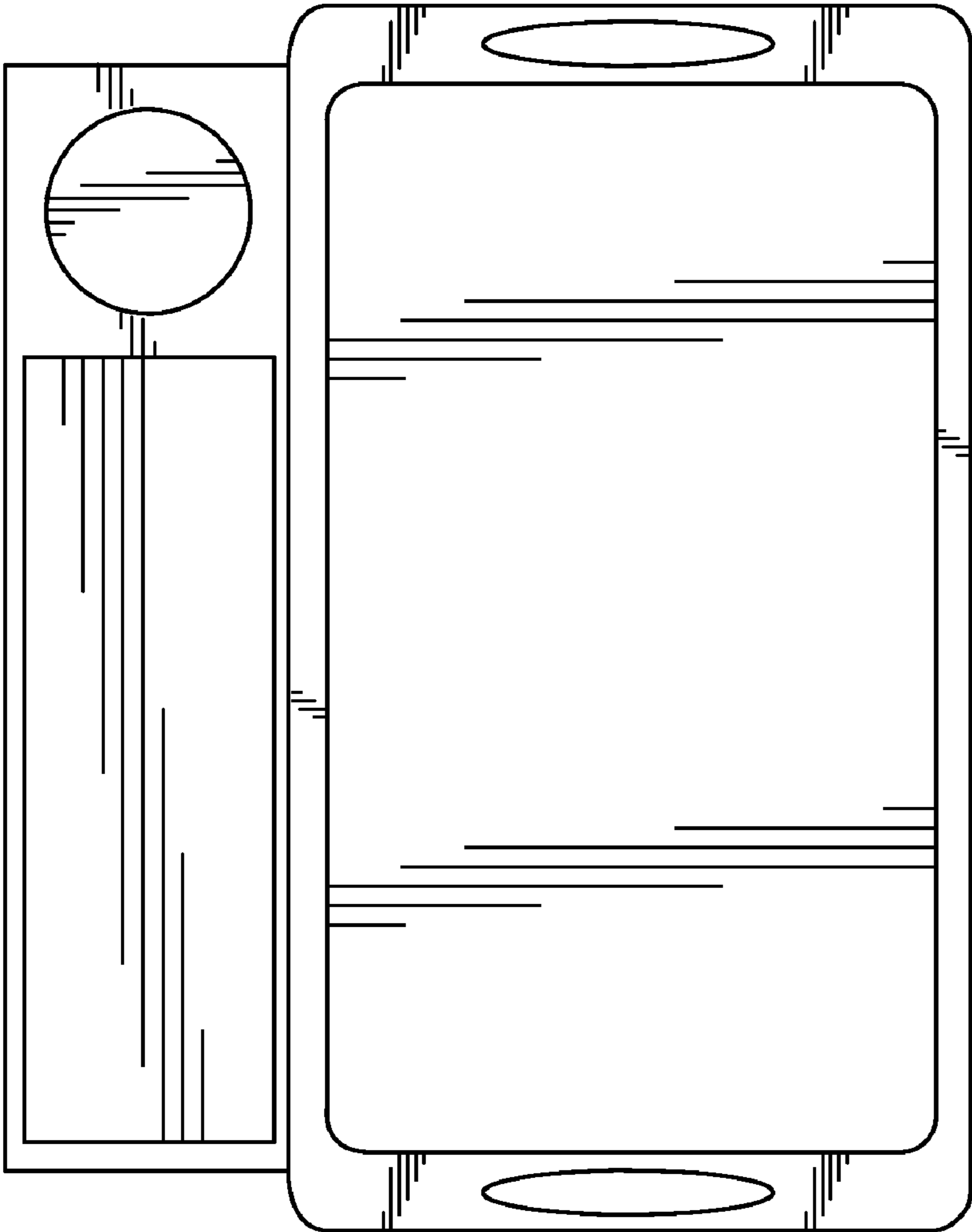


Fig. 6

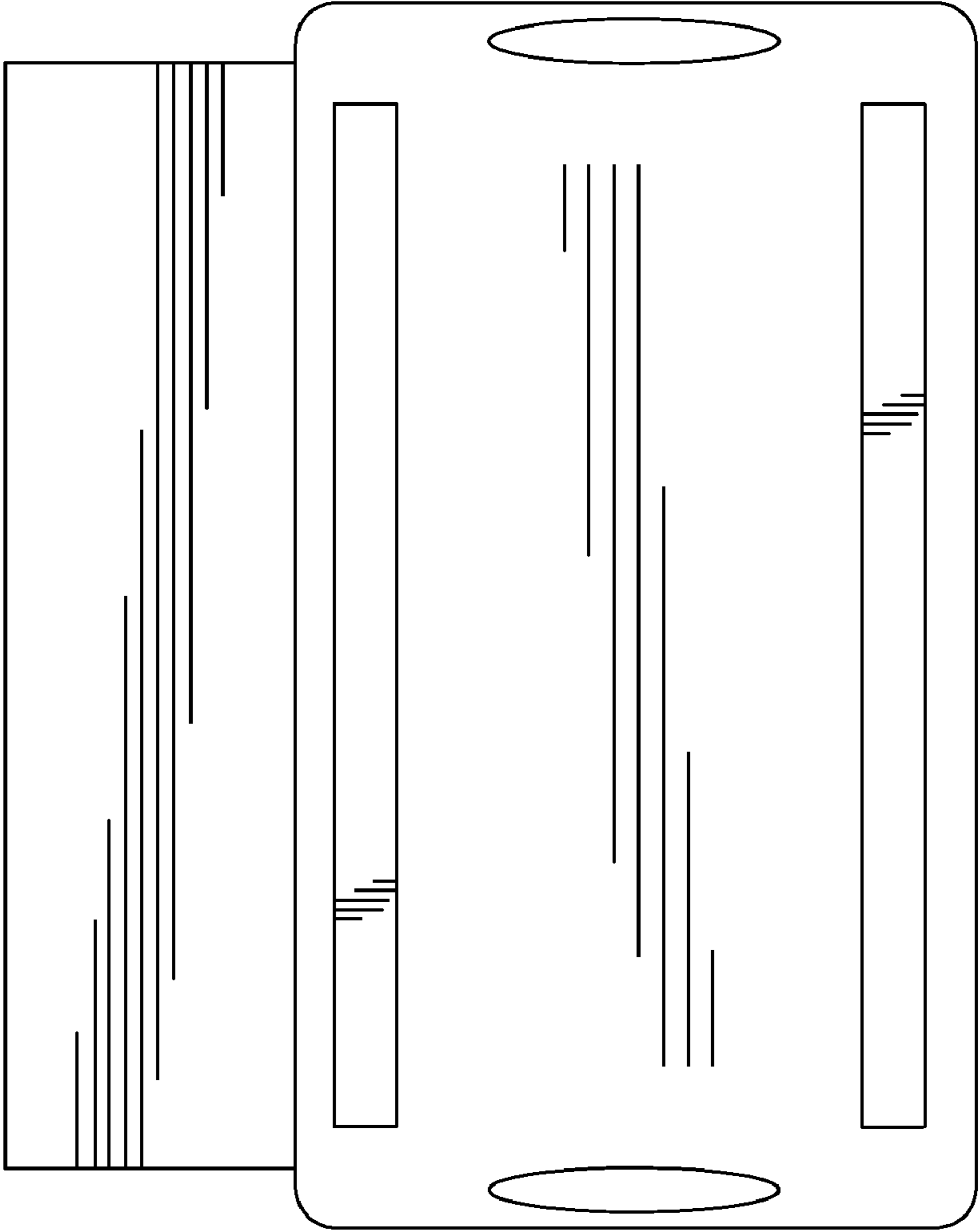


Fig. 7