



US00D655938S

(12) **United States Design Patent**
Kozel

(10) **Patent No.:** **US D655,938 S**
(45) **Date of Patent:** **** Mar. 20, 2012**

- (54) **ADJUSTABLE BASE FOR A BED**
- (75) Inventor: **Anne Kozel**, Atlanta, GA (US)
- (73) Assignee: **Dreamwell, Ltd.**, Las Vegas, NV (US)
- (**) Term: **14 Years**
- (21) Appl. No.: **29/351,517**
- (22) Filed: **Dec. 7, 2009**
- (51) **LOC (9) Cl.** **06-02**
- (52) **U.S. Cl.** **D6/393**
- (58) **Field of Classification Search** D6/382,
D6/383, 388, 393-395, 505-508, 503; 5/53.1,
5/907, 279.1, 280, 281
See application file for complete search history.

- D431,388 S * 10/2000 Zorzetto D6/393
- D509,677 S * 9/2005 Junbeau et al. D6/393
- D557,926 S * 12/2007 Boerner et al. D6/393

* cited by examiner

Primary Examiner — Janice Seeger

(74) *Attorney, Agent, or Firm* — Cantor Colburn LLP

(57) **CLAIM**

The ornamental design for an adjustable base for a bed, as shown and described.

DESCRIPTION

FIG. 1 is a perspective view of an adjustable base for a bed showing my new design.

FIG. 2 is a zoomed in view of a headboard of an adjustable base for a bed.

FIG. 3 is a zoomed in view of a storage drawer of an adjustable base for a bed.

FIG. 4 is a zoomed in view of a foot and corner of an adjustable base for a bed.

FIG. 5 is a front view of an adjustable base for a bed.

FIG. 6 is a side view of an adjustable base for a bed; and,

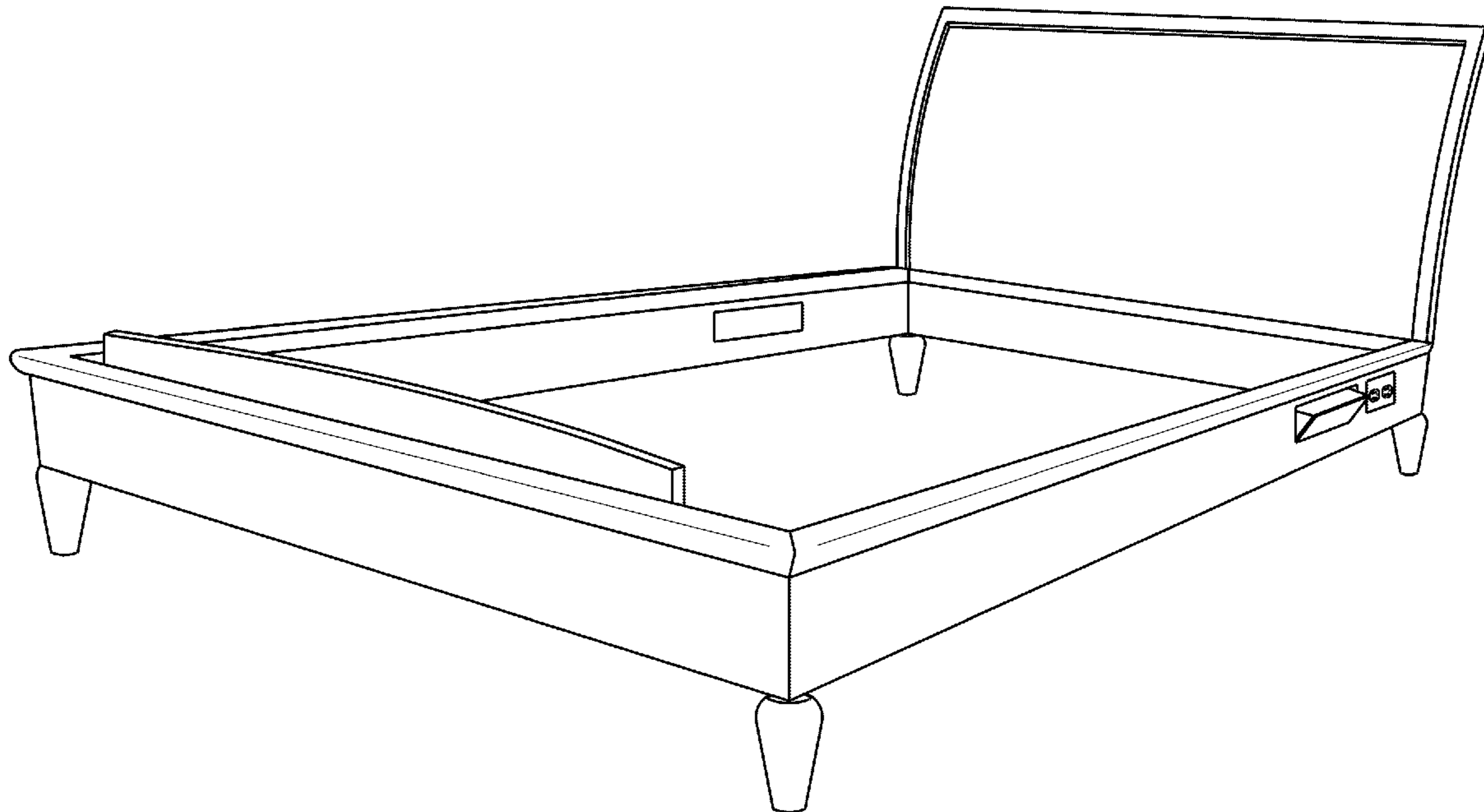
FIG. 7 is a top view of an adjustable base for a bed.

(56) **References Cited**

U.S. PATENT DOCUMENTS

- D165,074 S * 11/1951 Herrmann D6/394
- D387,215 S * 12/1997 Proano et al. D6/395
- D413,455 S * 9/1999 Lacroix et al. D6/393
- D417,973 S * 12/1999 Lacroix et al. D6/393

1 Claim, 3 Drawing Sheets



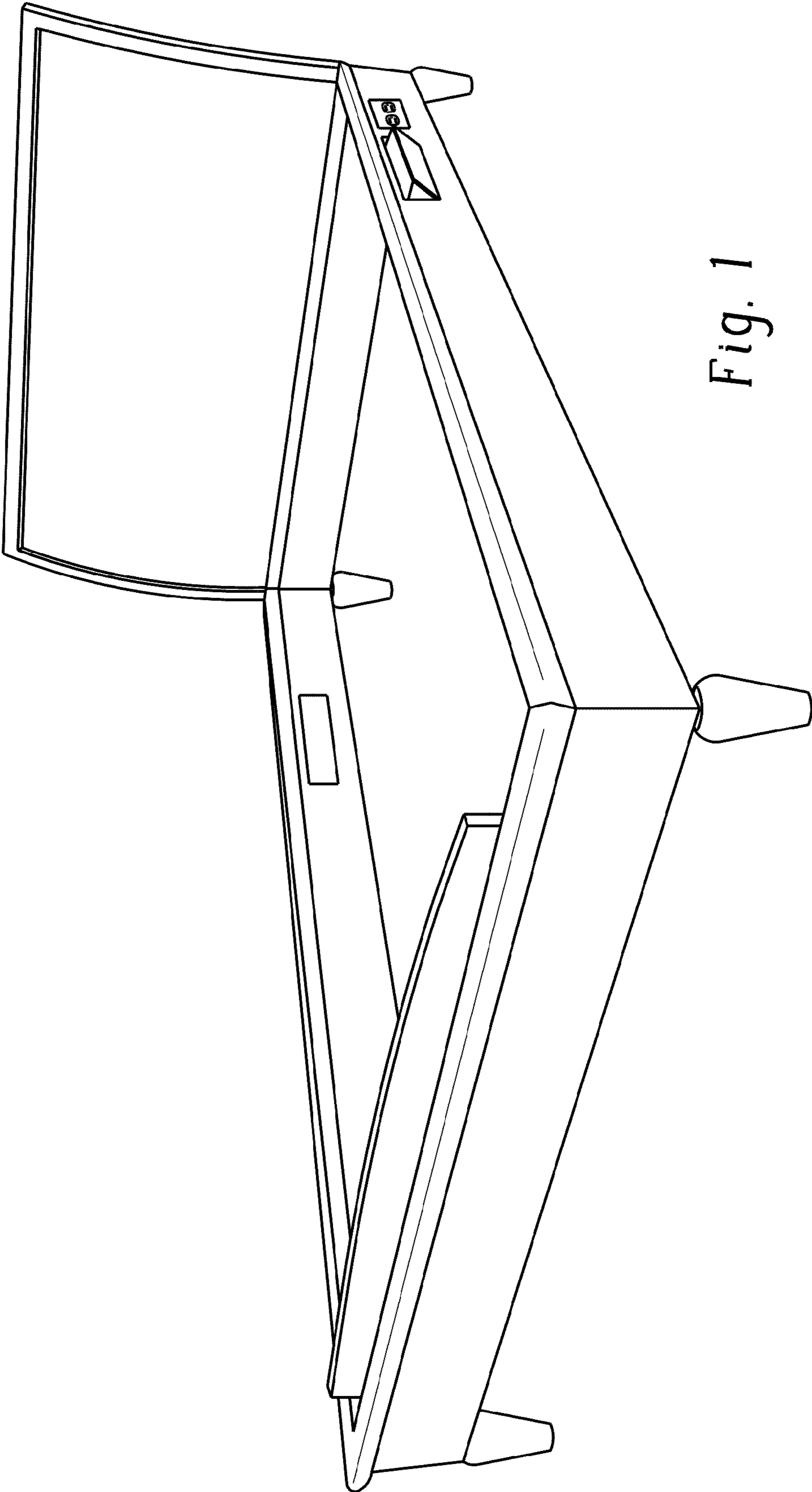


Fig. 1

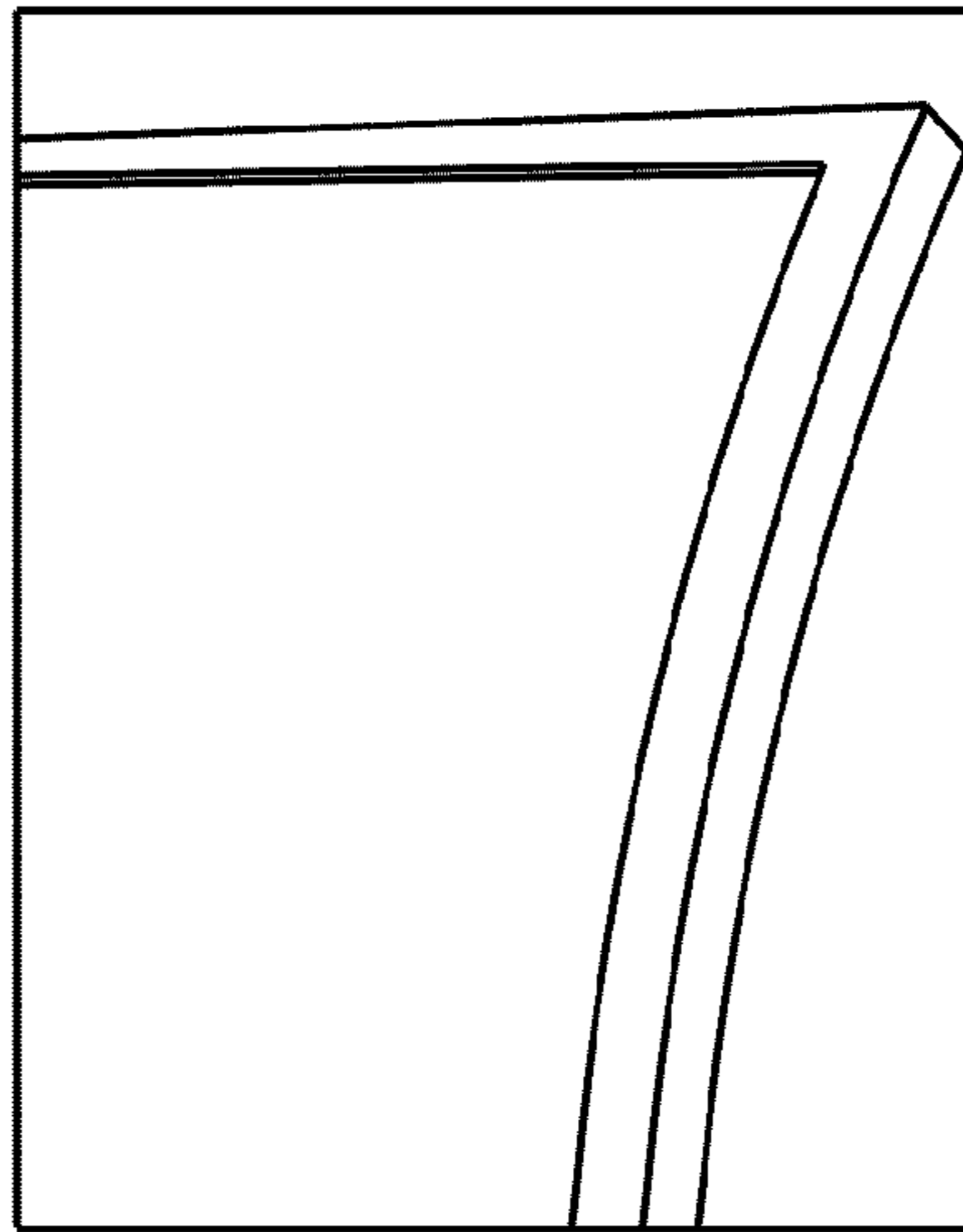


Fig. 2

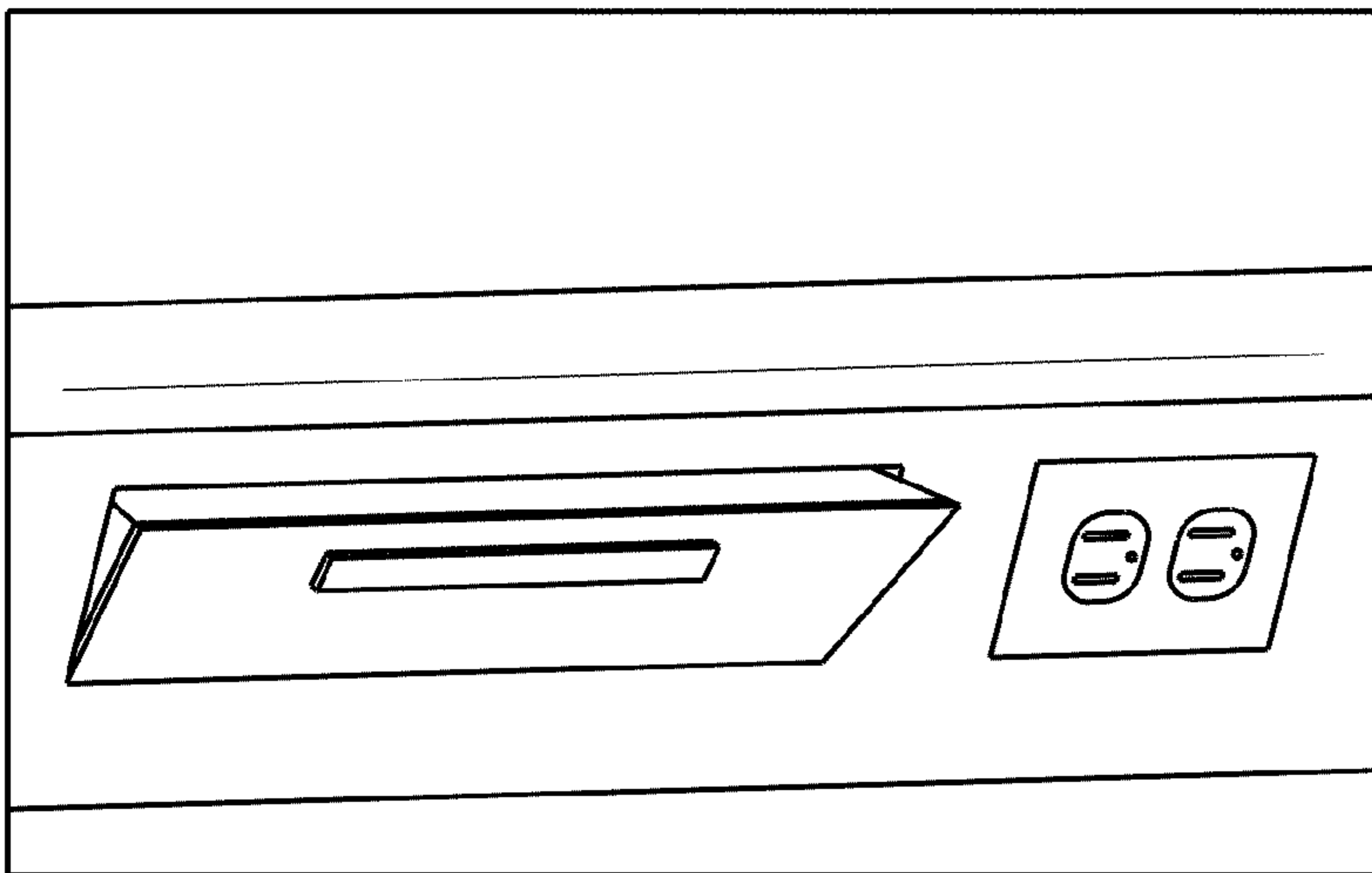


Fig. 3

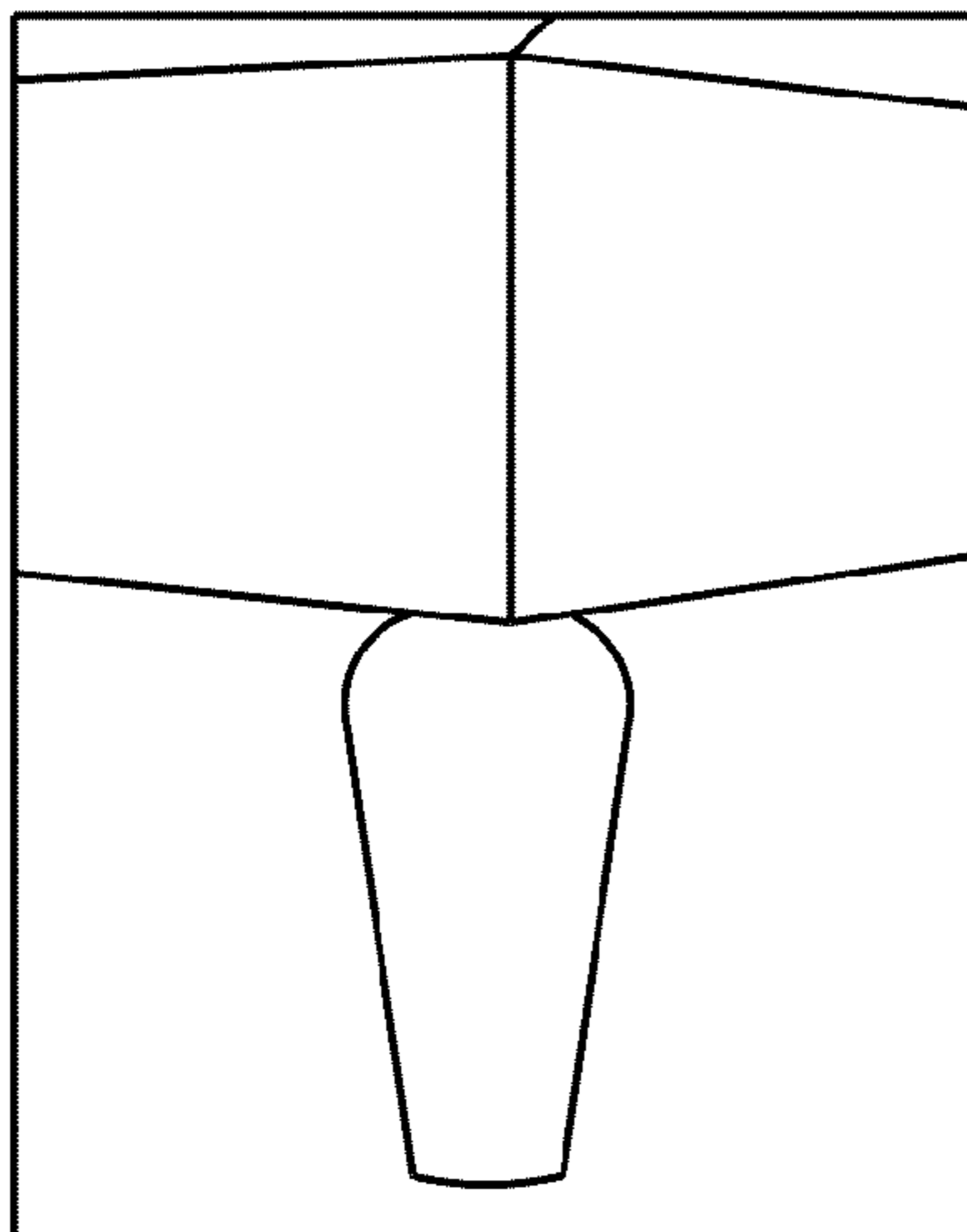


Fig. 4

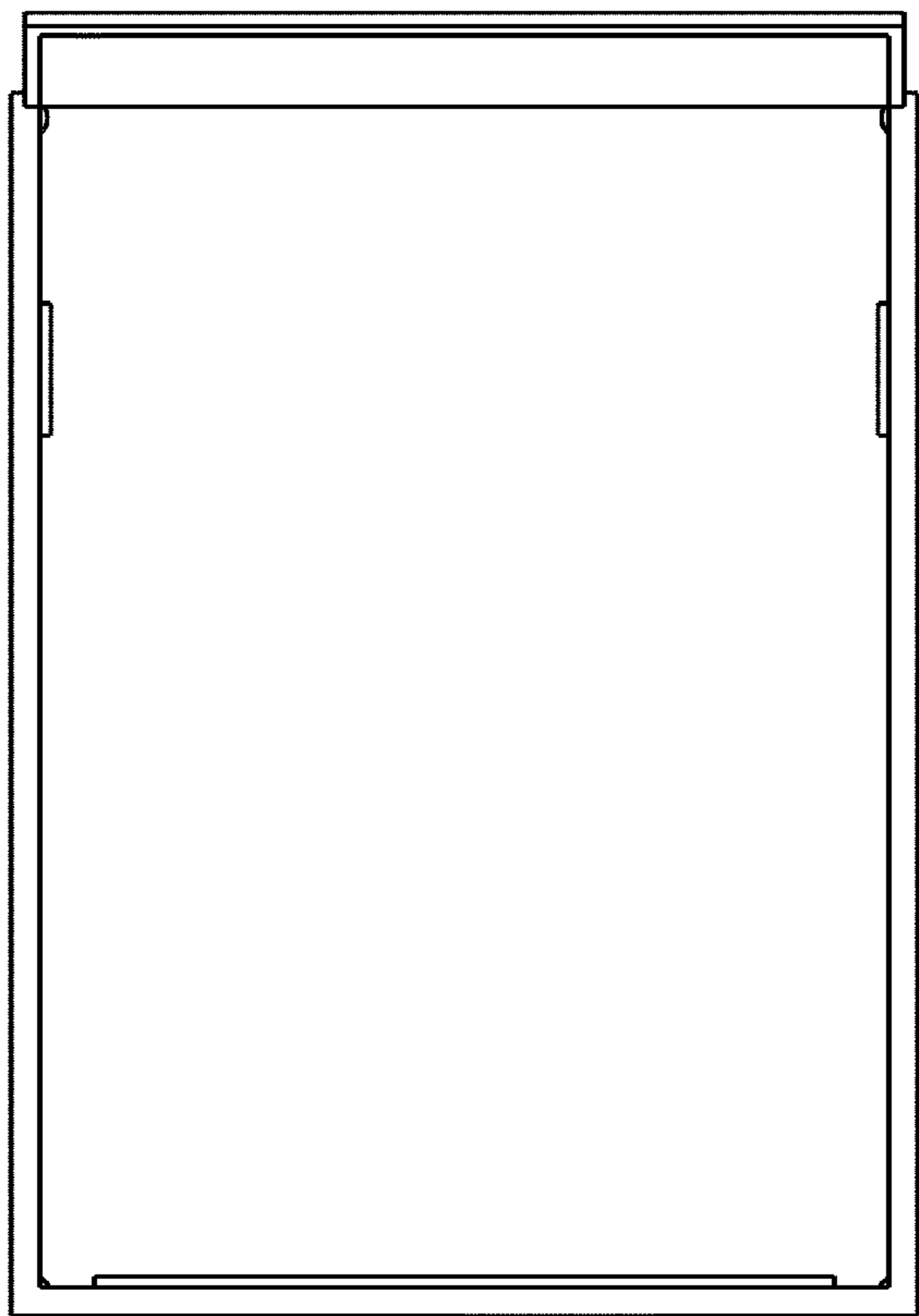


Fig. 7

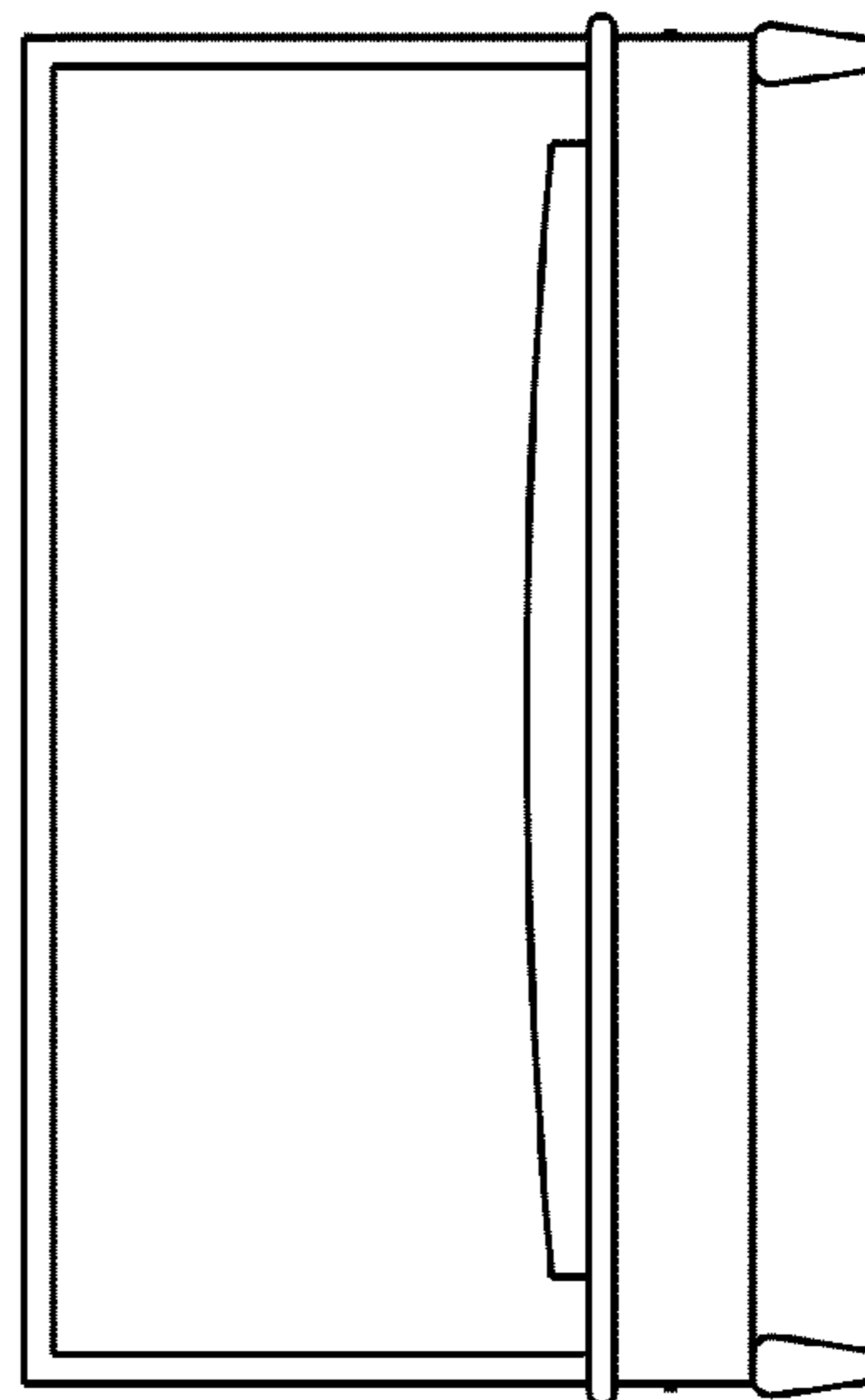


Fig. 5

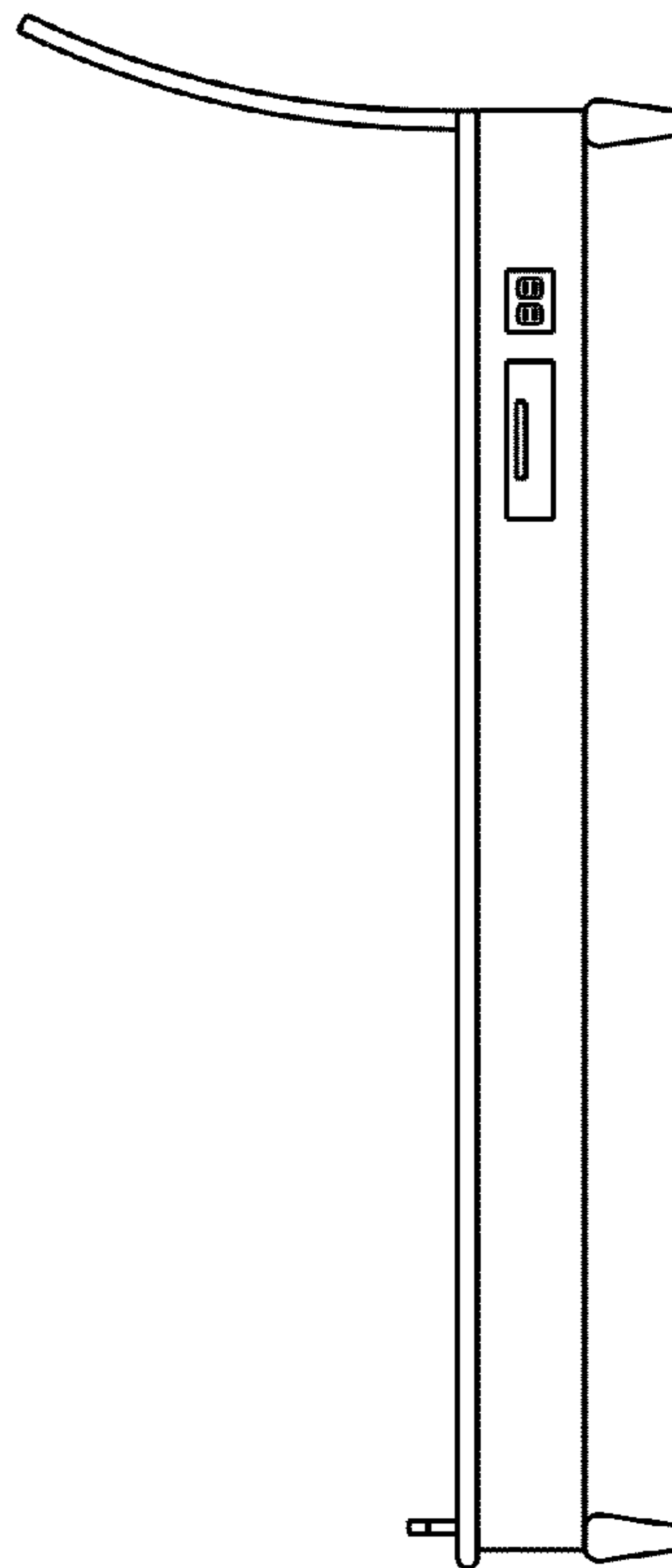


Fig. 6