



US00D655935S

(12) **United States Design Patent**  
**Sempé**

(10) **Patent No.:** **US D655,935 S**  
(45) **Date of Patent:** **\*\* Mar. 20, 2012**

(54) **SOFA**  
(75) **Inventor:** **Inga Sempé, Paris (FR)**  
(73) **Assignee:** **Roset S.A. (FR)**  
(\*\*) **Term:** **14 Years**  
(21) **Appl. No.:** **29/364,362**  
(22) **Filed:** **Jun. 22, 2010**

(30) **Foreign Application Priority Data**

Dec. 22, 2009 (WO) ..... DM/072 888

(51) **LOC (9) Cl.** ..... **06-01**  
(52) **U.S. Cl.** ..... **D6/381**  
(58) **Field of Classification Search** ..... D6/334-338,  
D6/349, 355, 361, 368-370, 375-376, 379-381,  
D6/492, 500-502; 297/16.1, 42, 94, 135,  
297/175, 232, 233, 350, 351, 445.1, 448.1,  
297/448.2, 451.9; 5/12.1, 12.2  
See application file for complete search history.

(56) **References Cited**

**U.S. PATENT DOCUMENTS**

D310,143 S \* 8/1990 Hopfer ..... D6/381  
D373,256 S \* 9/1996 Lewis ..... D6/381  
D376,274 S \* 12/1996 Lewis ..... D6/381  
D448,196 S \* 9/2001 Gomez ..... D6/381  
D498,075 S \* 11/2004 Mourgue ..... D6/381  
D521,765 S \* 5/2006 Natuzzi ..... D6/381  
D566,417 S \* 4/2008 Mourgue ..... D6/381  
D588,827 S \* 3/2009 Mourgue ..... D6/381  
D590,166 S \* 4/2009 Natuzzi ..... D6/381

D600,468 S \* 9/2009 Natuzzi ..... D6/381  
D617,112 S \* 6/2010 Tsai ..... D6/381  
D618,471 S \* 6/2010 Natuzzi ..... D6/381  
D635,791 S \* 4/2011 Kanthasamy ..... D6/381  
D635,794 S \* 4/2011 Kanthasamy ..... D6/381  
D640,479 S \* 6/2011 Sempe ..... D6/375

\* cited by examiner

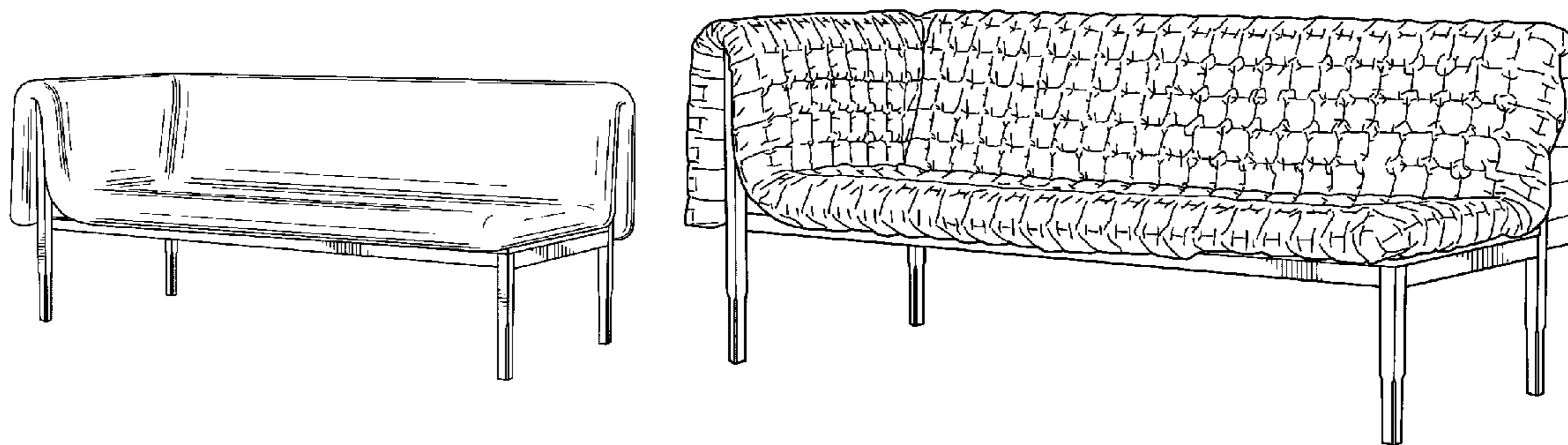
*Primary Examiner* — Brian N Vinson  
(74) *Attorney, Agent, or Firm* — Cantor Colburn LLP

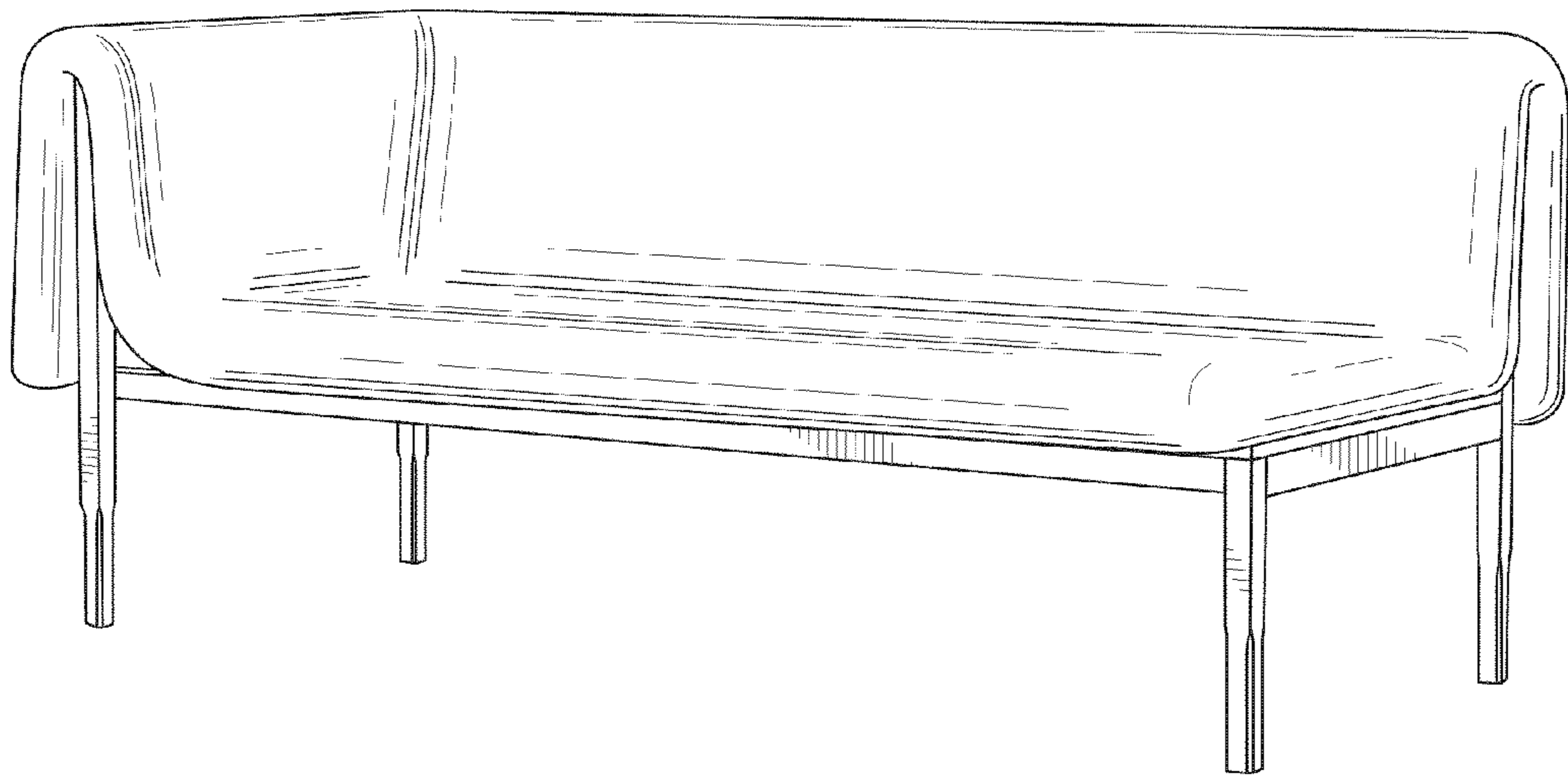
(57) **CLAIM**  
I claim the ornamental design for a sofa, as shown and described.

**DESCRIPTION**

FIG. 1 is a front perspective view of a sofa, showing my new design;  
FIG. 2 is a front elevation view thereof;  
FIG. 3 is a rear elevation view thereof;  
FIG. 4 is a side elevation view thereof taken from the right of FIG. 2;  
FIG. 5 is a side elevation view thereof taken from the left of FIG. 2;  
FIG. 6 is a top plan view thereof;  
FIG. 7 is a front perspective view of another embodiment thereof;  
FIG. 8 is a front elevation view thereof;  
FIG. 9 is a rear elevation view thereof;  
FIG. 10 is a side elevation view thereof taken from the right of FIG. 8;  
FIG. 11 is a side elevation view thereof taken from the left of FIG. 8; and,  
FIG. 12 is a top plan view thereof.

**1 Claim, 11 Drawing Sheets**





*FIG. 1*

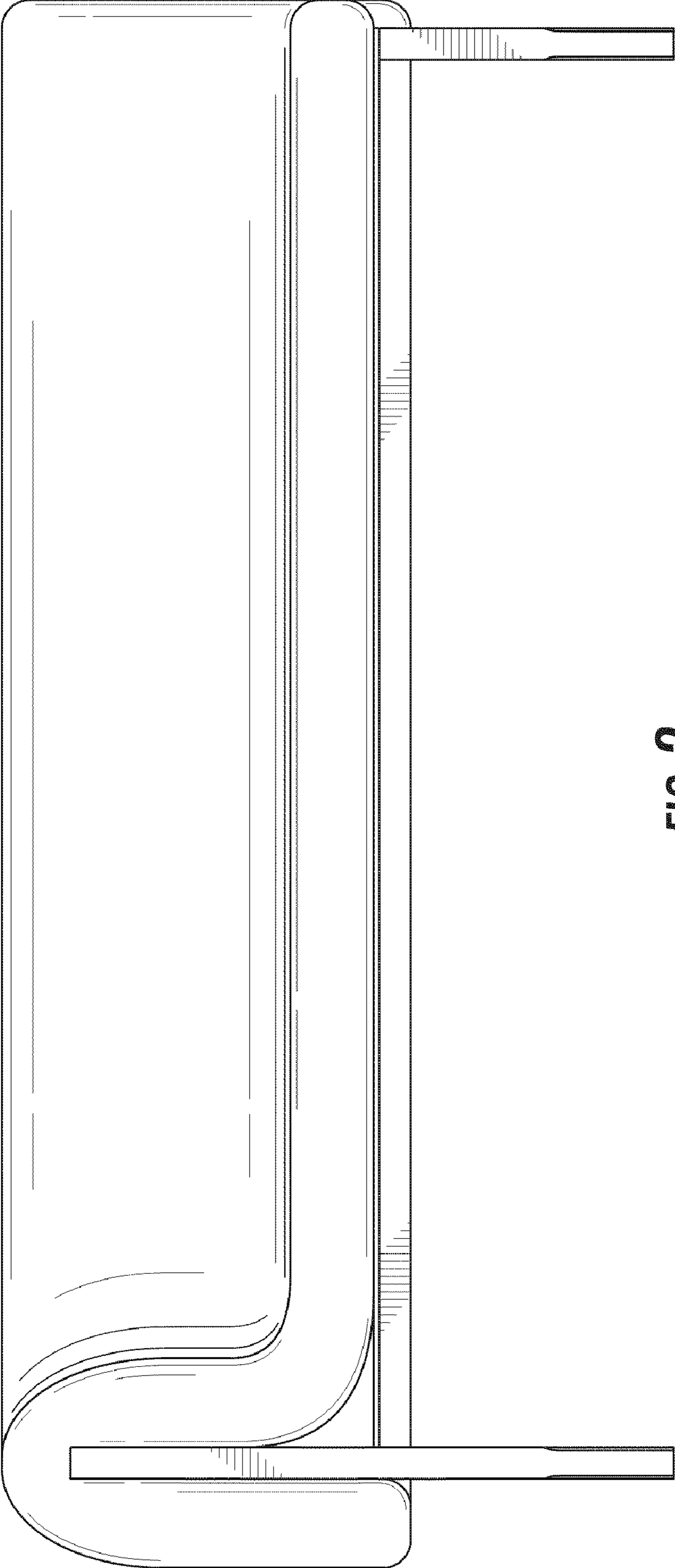


FIG. 2

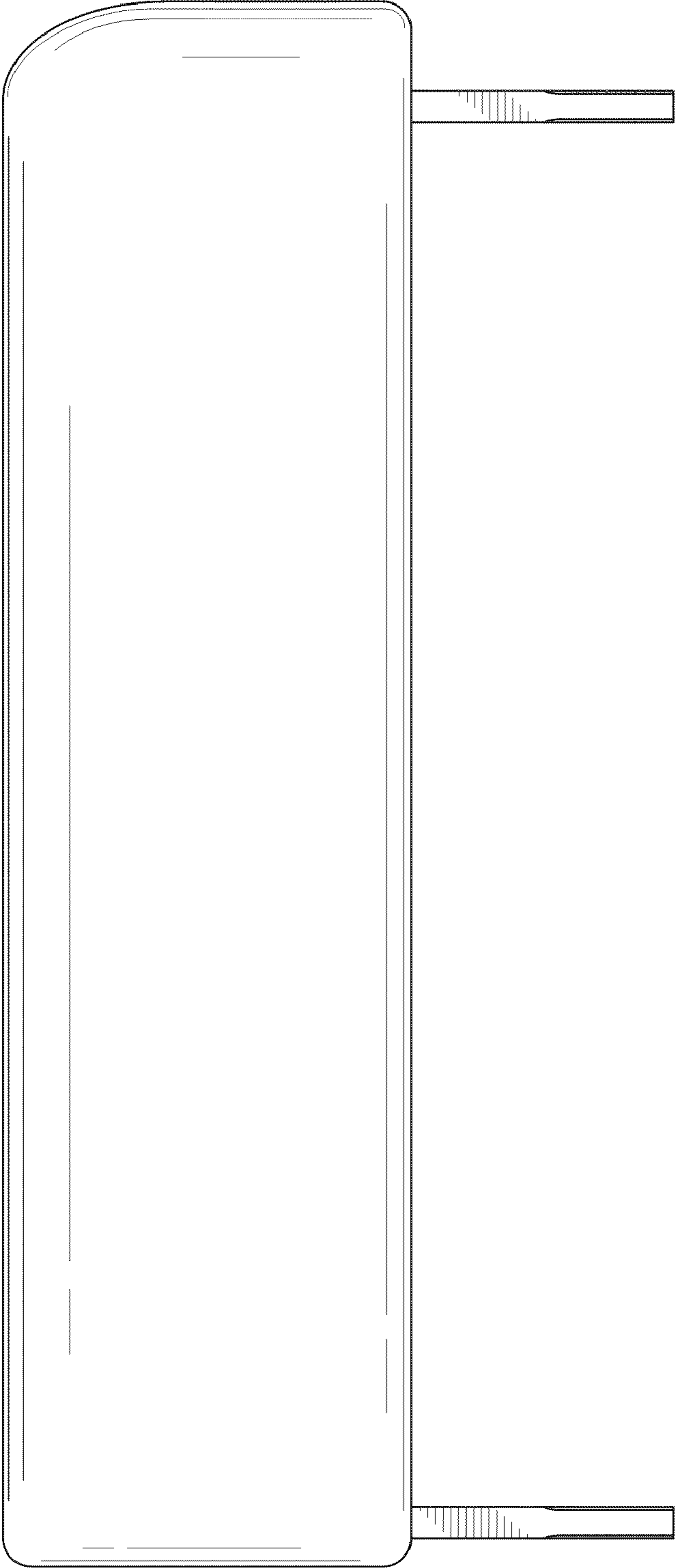
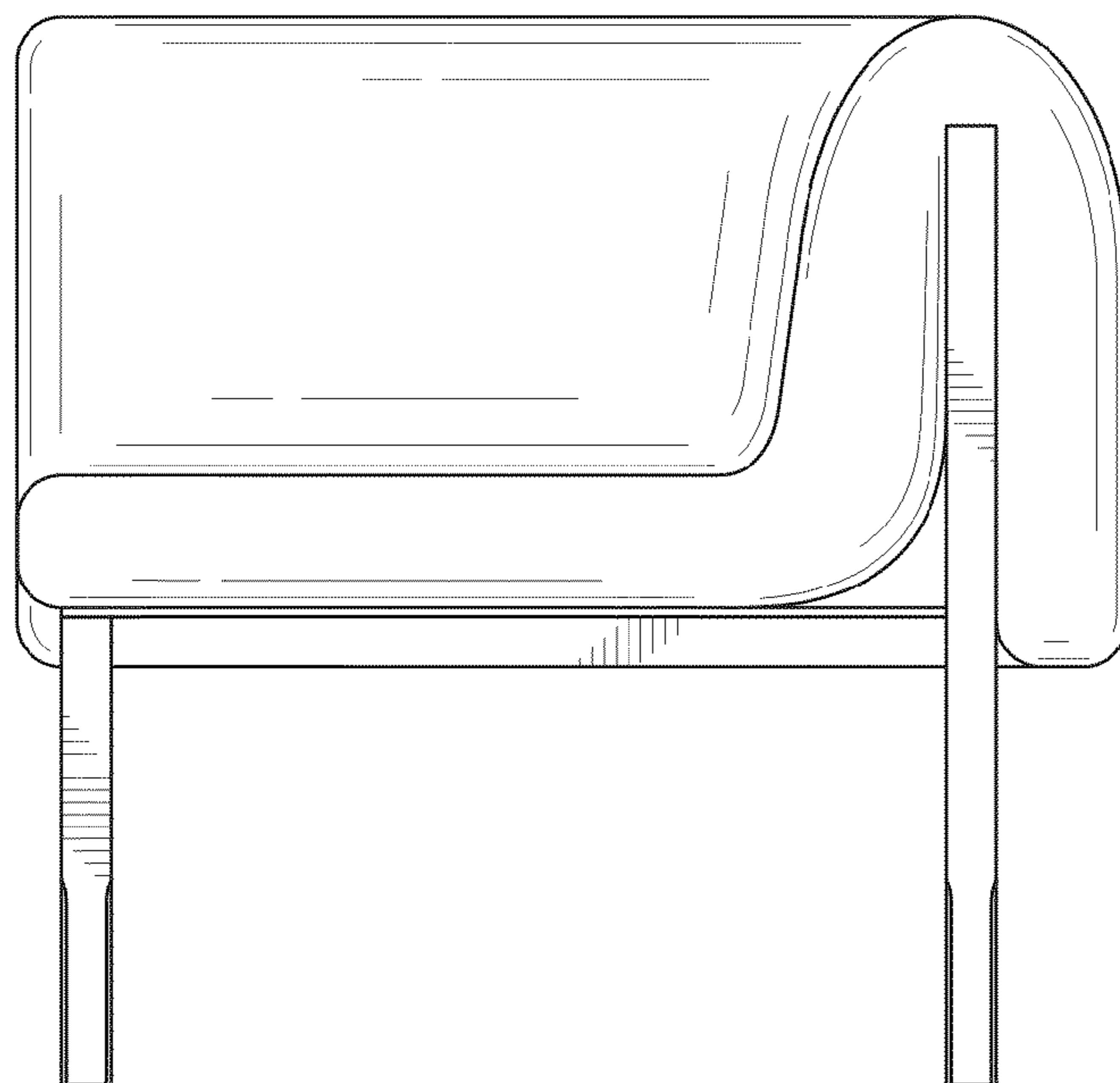
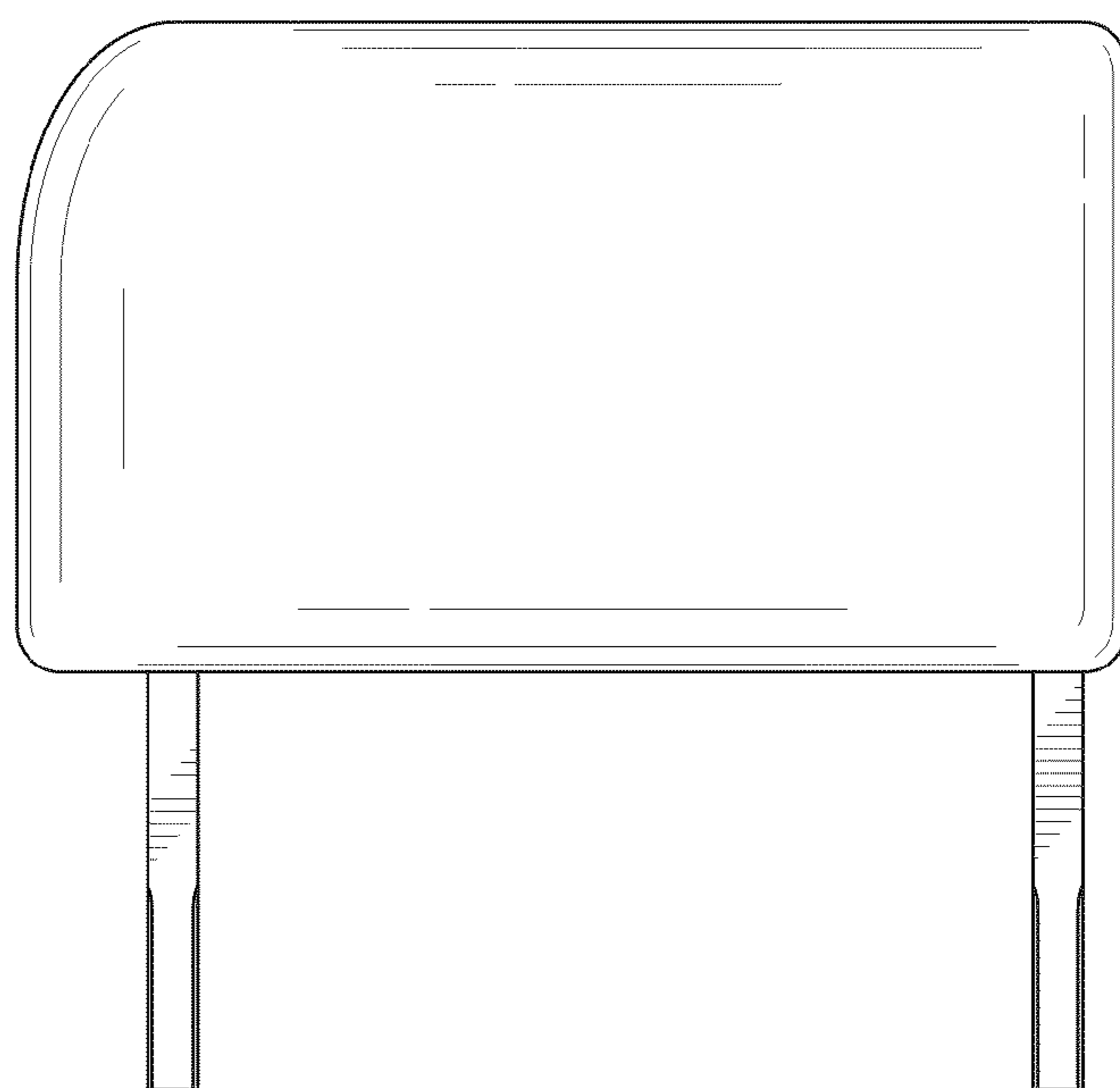


FIG. 3



*FIG. 4*



*FIG. 5*

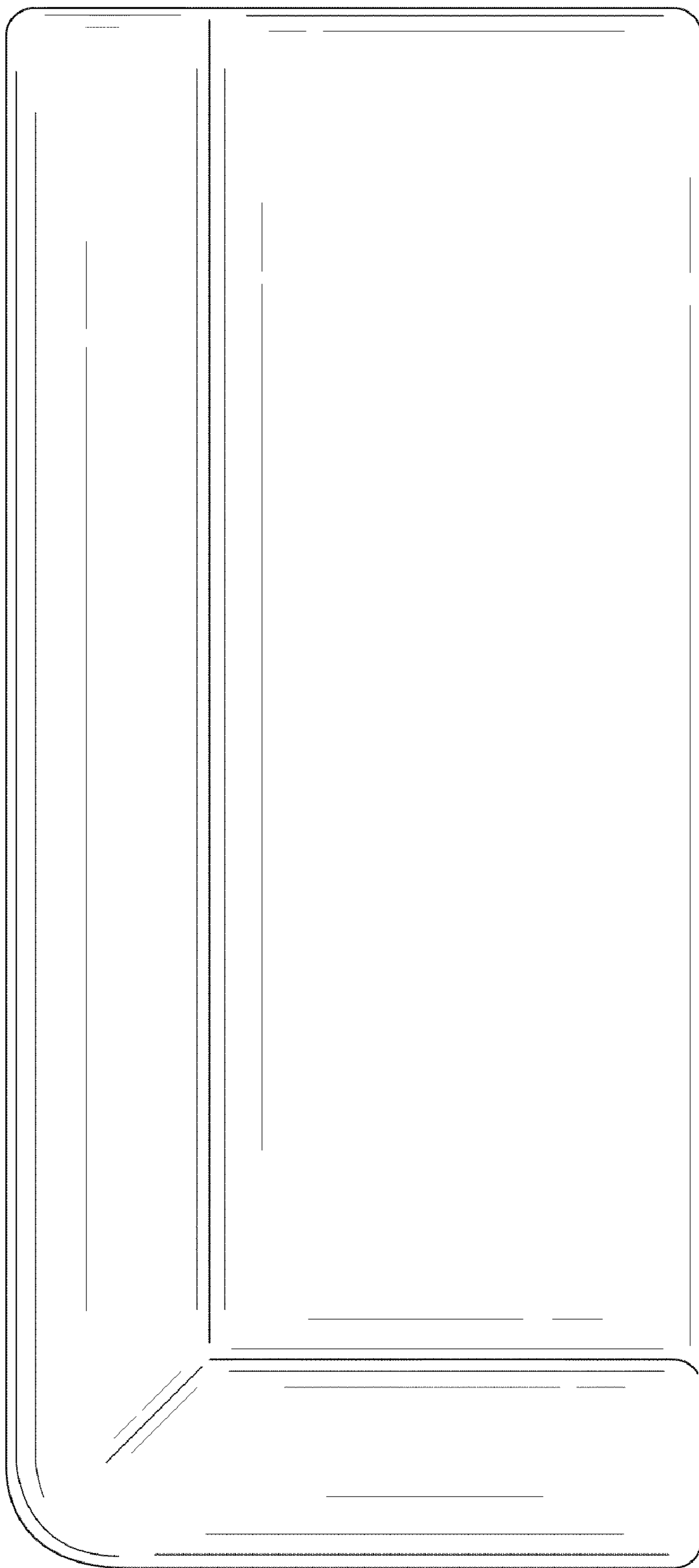


FIG. 6



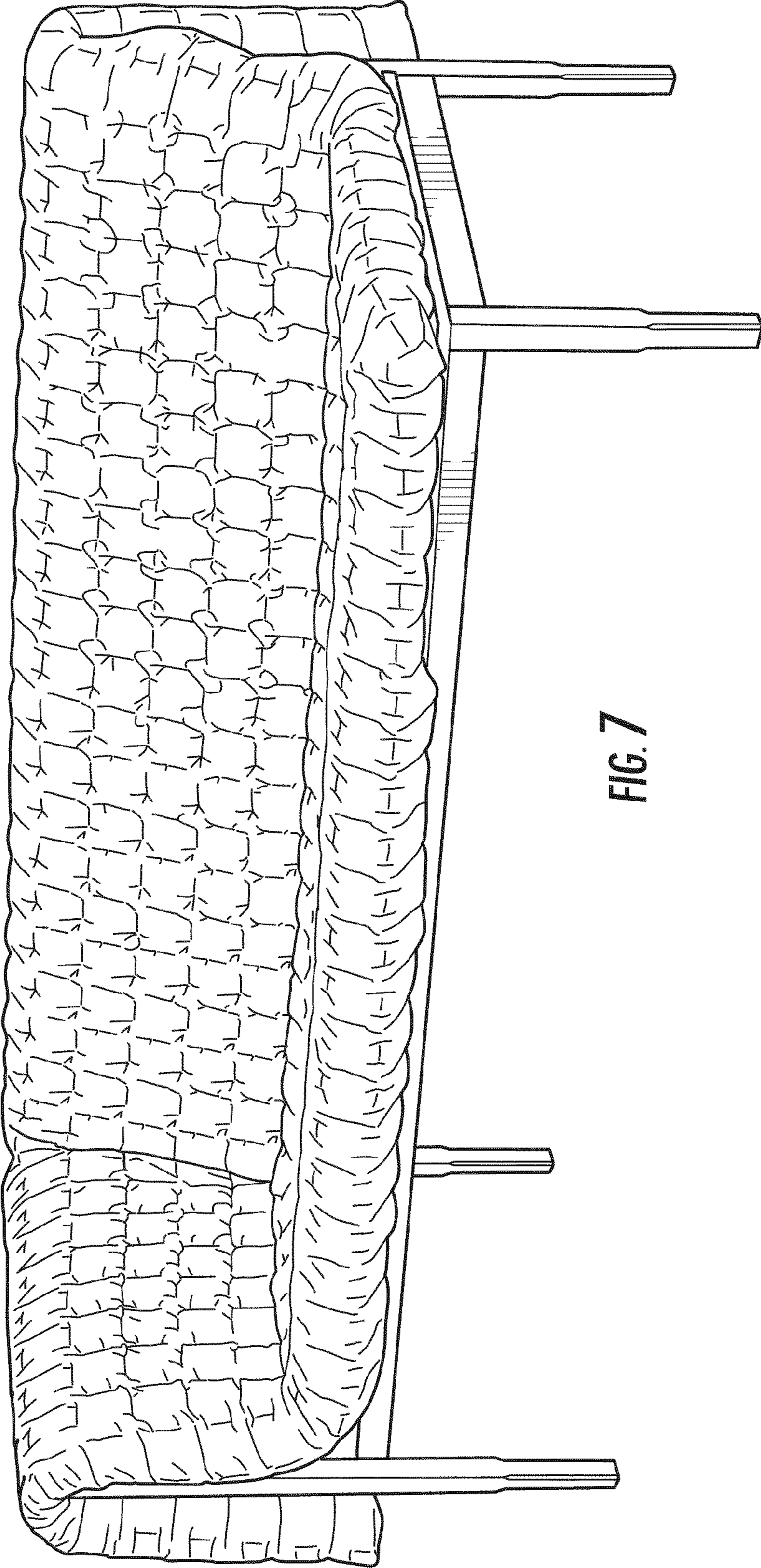


FIG. 7

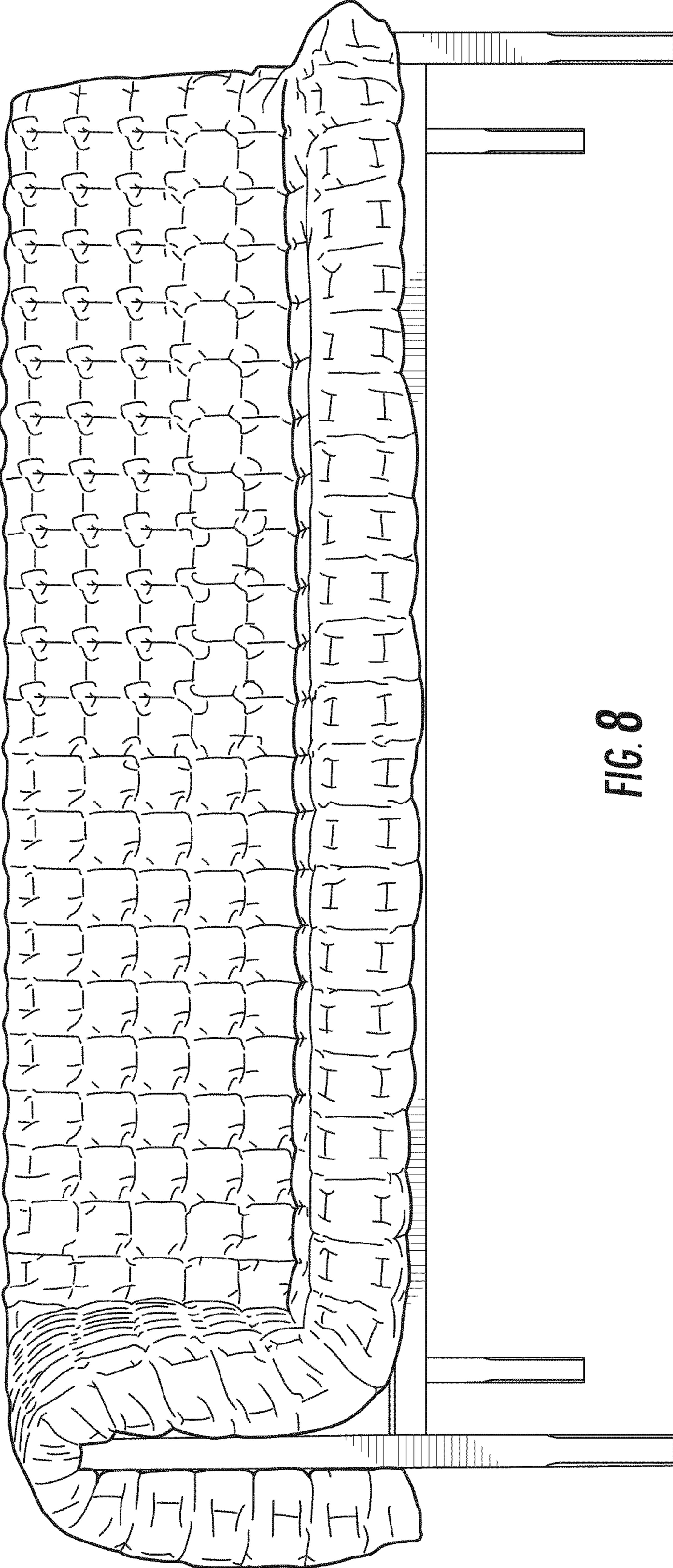


FIG. 8



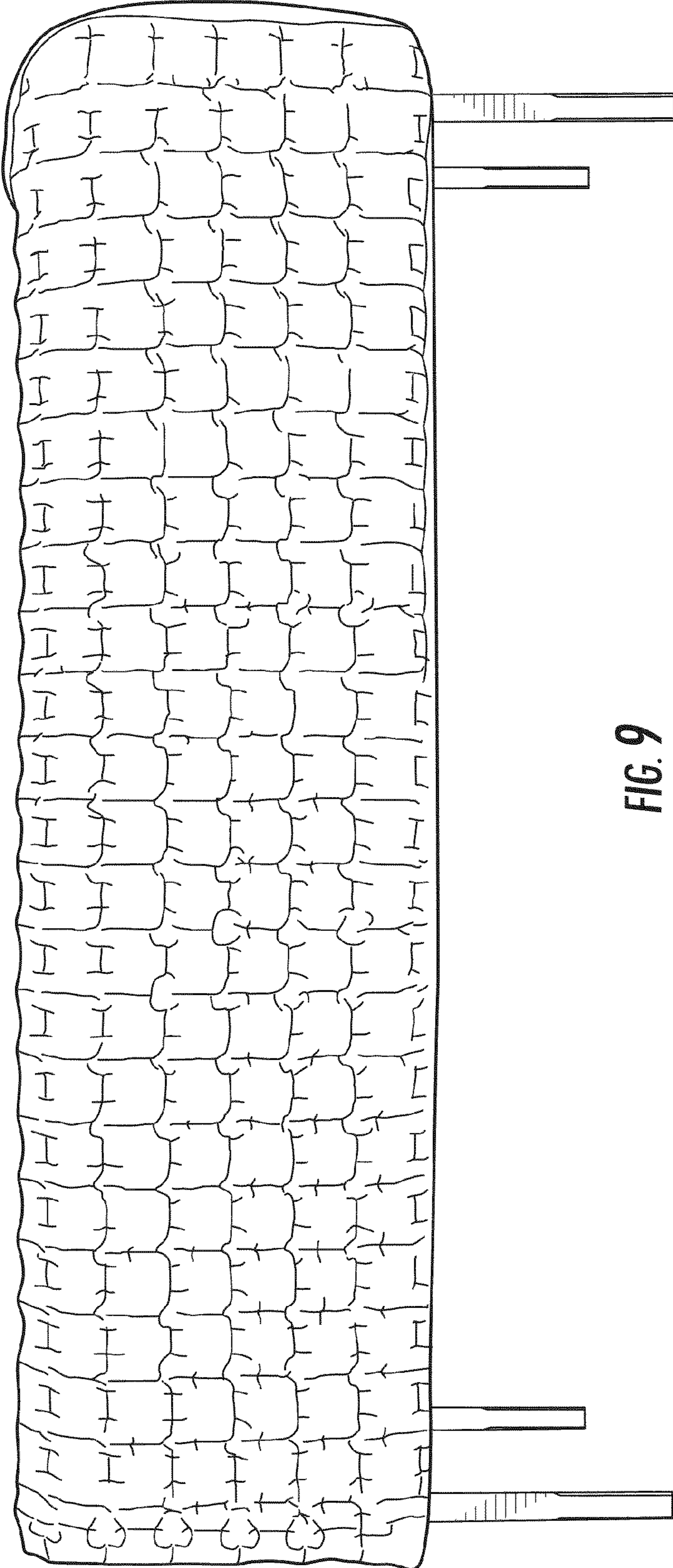
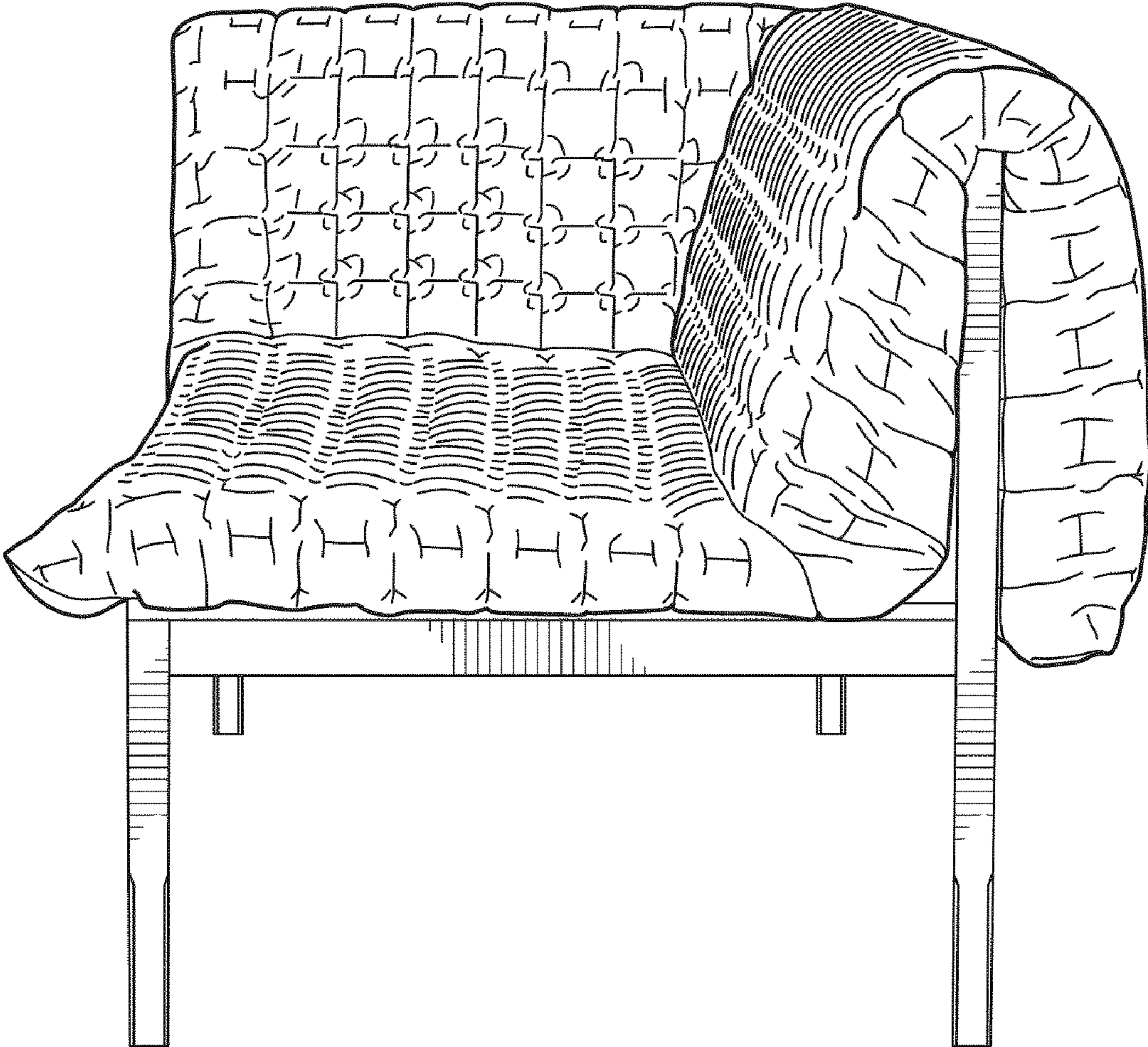
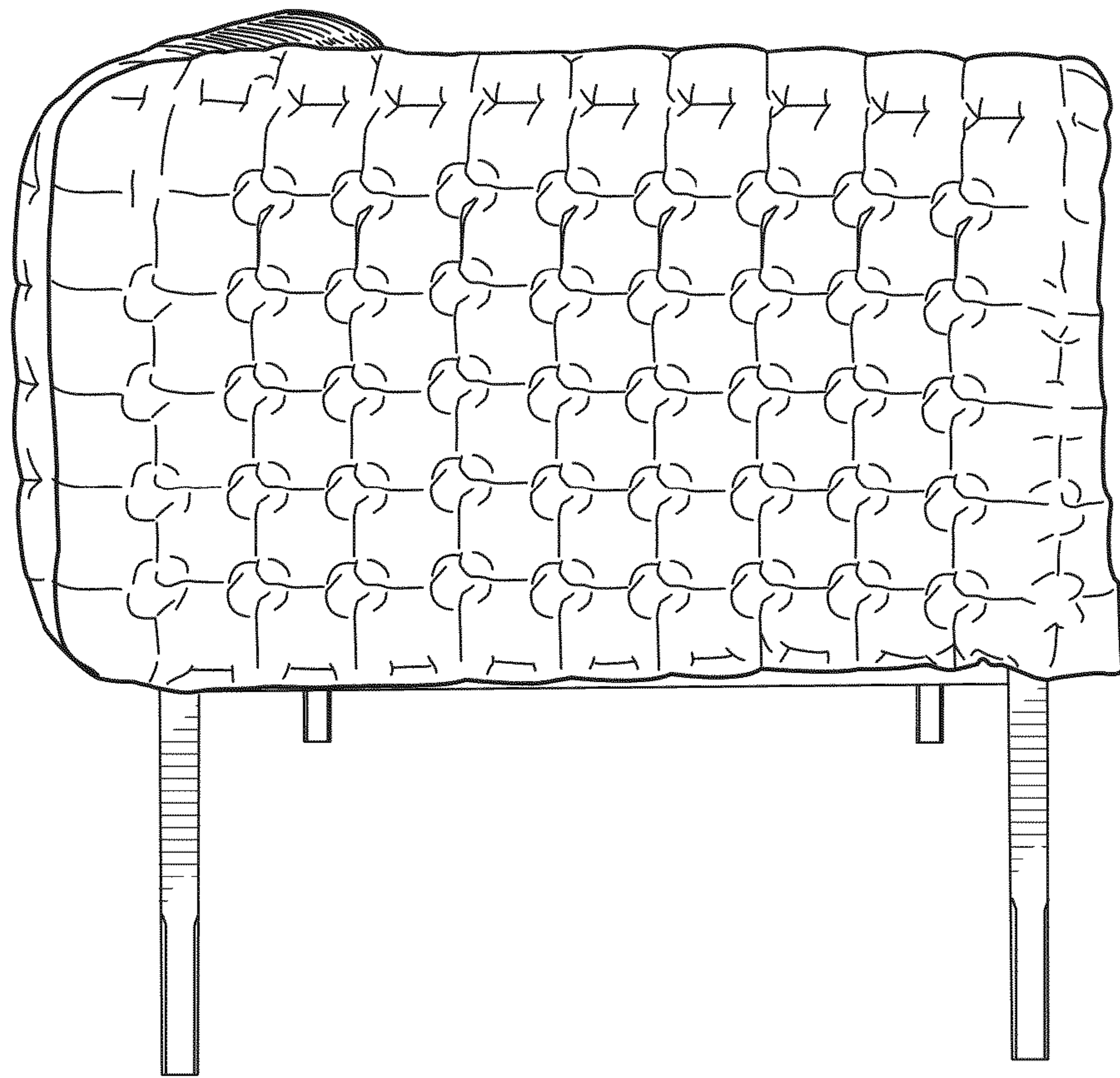


FIG. 9



**FIG. 10**



**FIG. 11**



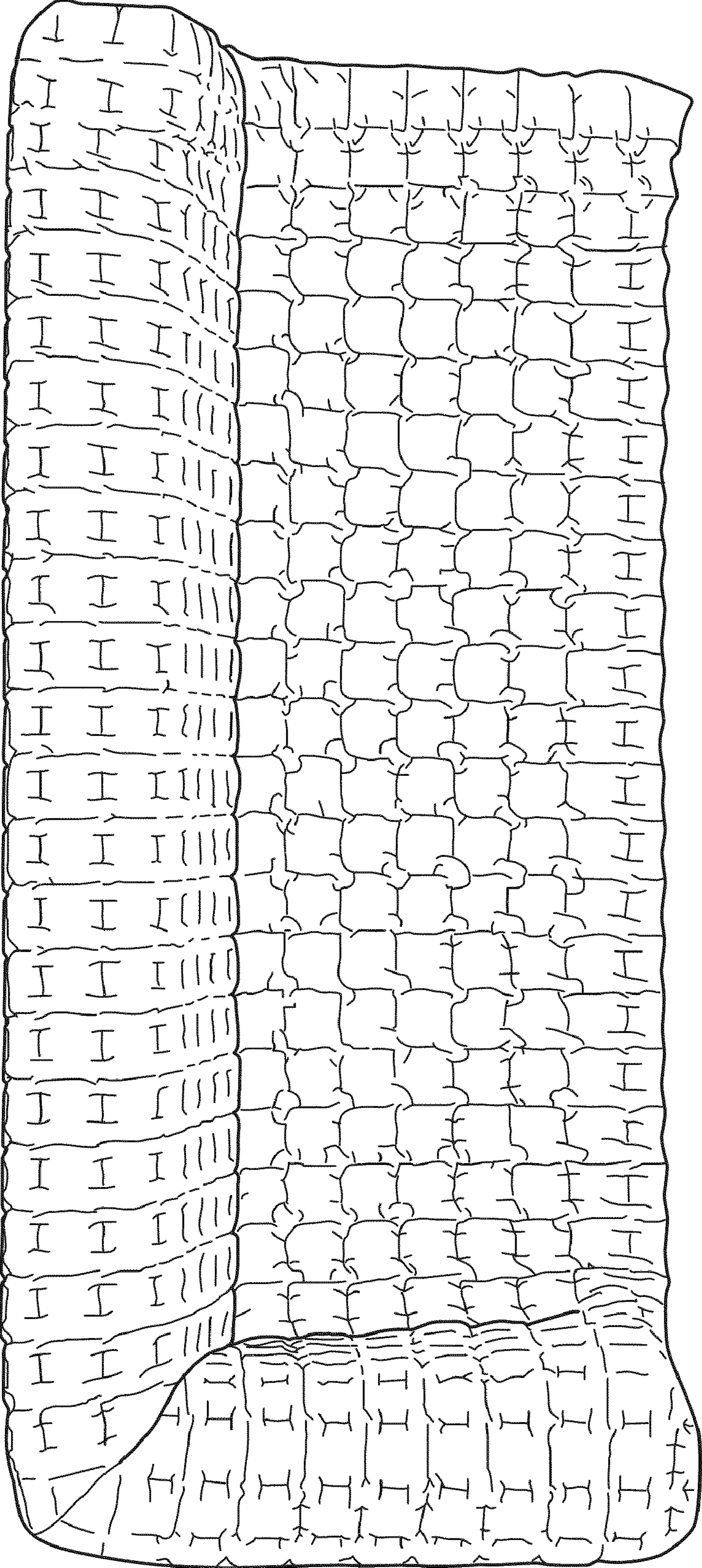


FIG. 12