



US00D655932S

(12) **United States Design Patent**  
**Ashby et al.**

(10) **Patent No.:** **US D655,932 S**  
(45) **Date of Patent:** **\*\* Mar. 20, 2012**

(54) **CHAIR**

(75) Inventors: **Kent Ashby**, Logan, UT (US); **Wendell B Peery**, Kaysville, UT (US); **Frank M. Clegg**, Fruit Heights, UT (US)

(73) Assignee: **Lifetime Products, Inc.**, Clearfield, UT (US)

(\*\*) Term: **14 Years**

(21) Appl. No.: **29/394,086**

(22) Filed: **Jun. 13, 2011**

(51) **LOC (9) Cl.** ..... **06-01**

(52) **U.S. Cl.** ..... **D6/368**

(58) **Field of Classification Search** ..... D6/334-336,  
D6/368, 371-373, 374, 376, 379, 380, 500-502;  
297/16.1, 40, 41, 55, 56, 58, 183.7, 452.1,  
297/452.21, 452.29, 452.36  
See application file for complete search history.

(56) **References Cited**

**U.S. PATENT DOCUMENTS**

D107,545 S *	12/1937	O'Connor	.....	D6/368
2,294,340 A *	8/1942	Mains	.....	297/58
2,458,095 A *	1/1949	O'Connor	.....	297/58
D214,267 S *	5/1969	Moore et al.	.....	D6/368
D435,977 S *	1/2001	Ambasz	.....	D6/368
D436,457 S *	1/2001	Ambasz	.....	D6/368
D443,429 S	6/2001	Mower et al.		
D452,619 S *	1/2002	Piretti	.....	D6/368
D465,665 S *	11/2002	Ritchie et al.	.....	D6/368
D466,712 S	12/2002	Haney et al.		
D472,064 S	3/2003	Haney et al.		

D472,723 S 4/2003 Haney et al.  
D472,745 S 4/2003 Haney et al.  
D473,059 S 4/2003 Haney et al.

(Continued)

**OTHER PUBLICATIONS**

U.S. Appl. No. 12/327,678, filed Dec. 3, 2008, Waite et al.

*Primary Examiner* — Mimoso De

(74) *Attorney, Agent, or Firm* — Maschoff Gilmore & Israelsen

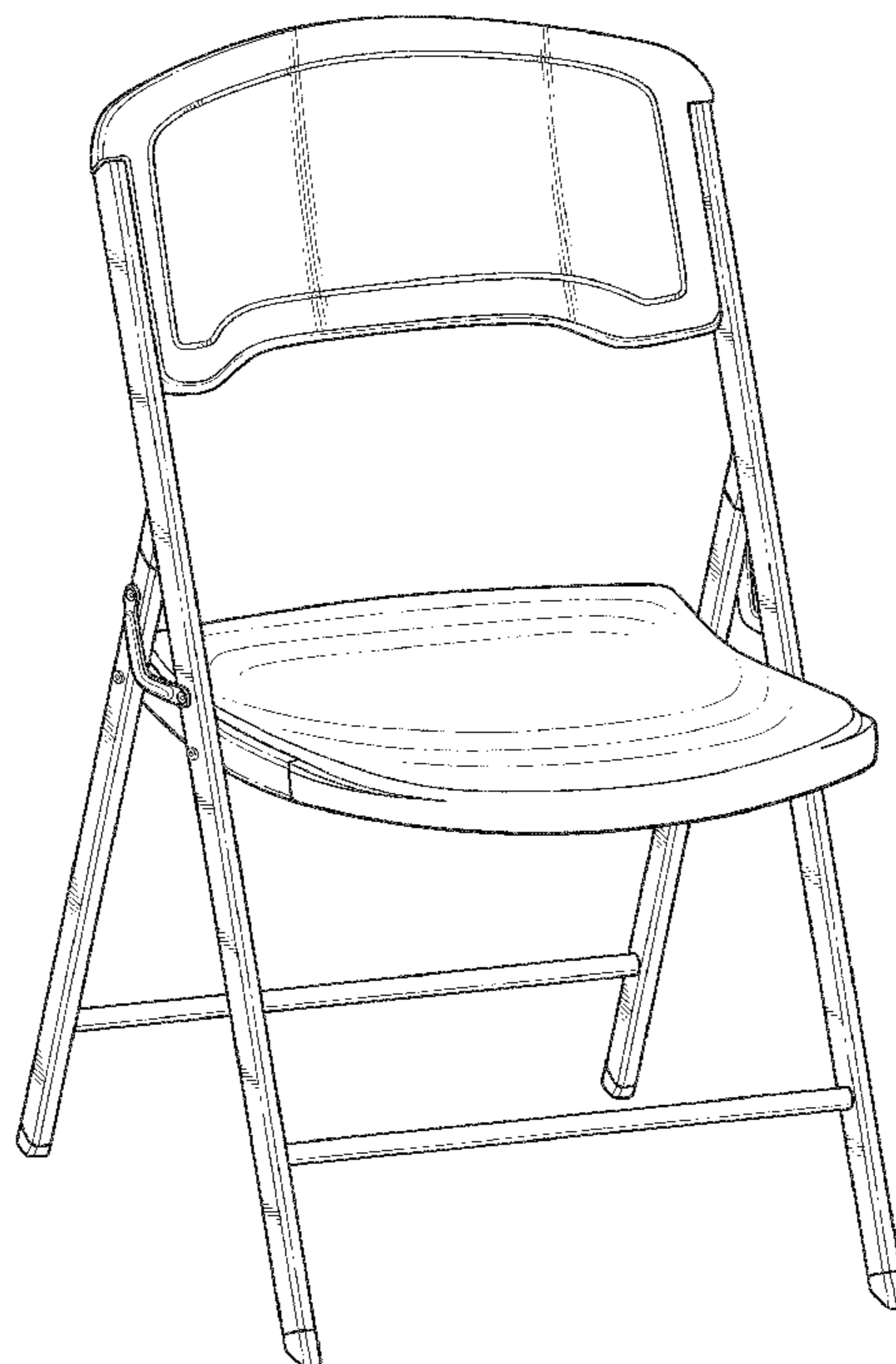
(57) **CLAIM**

The ornamental design for a chair, as shown and described.

**DESCRIPTION**

FIG. 1 is a front perspective view of a chair;  
FIG. 2 is a front view of the chair shown in FIG. 1;  
FIG. 3 is a back view of the chair shown in FIG. 1;  
FIG. 4 is a left side view of the chair shown in FIG. 1, with the right side view being a mirror image thereof;  
FIG. 5 is a top view of the chair shown in FIG. 1;  
FIG. 6 is a bottom view of the chair shown in FIG. 1;  
FIG. 7 is a front perspective view of another embodiment of the chair;  
FIG. 8 is a front view of the chair shown in FIG. 7;  
FIG. 9 is back view of the chair shown in FIG. 7;  
FIG. 10 is a left side view of the chair shown in FIG. 7, with the right side view being a mirror image thereof;  
FIG. 11 is a top view of the chair shown in FIG. 7; and,  
FIG. 12 is a bottom view of the chair shown in FIG. 7.  
The broken lines shown in the figures are for illustrative purposes only and form no part of the claimed design.

**1 Claim, 10 Drawing Sheets**



# US D655,932 S

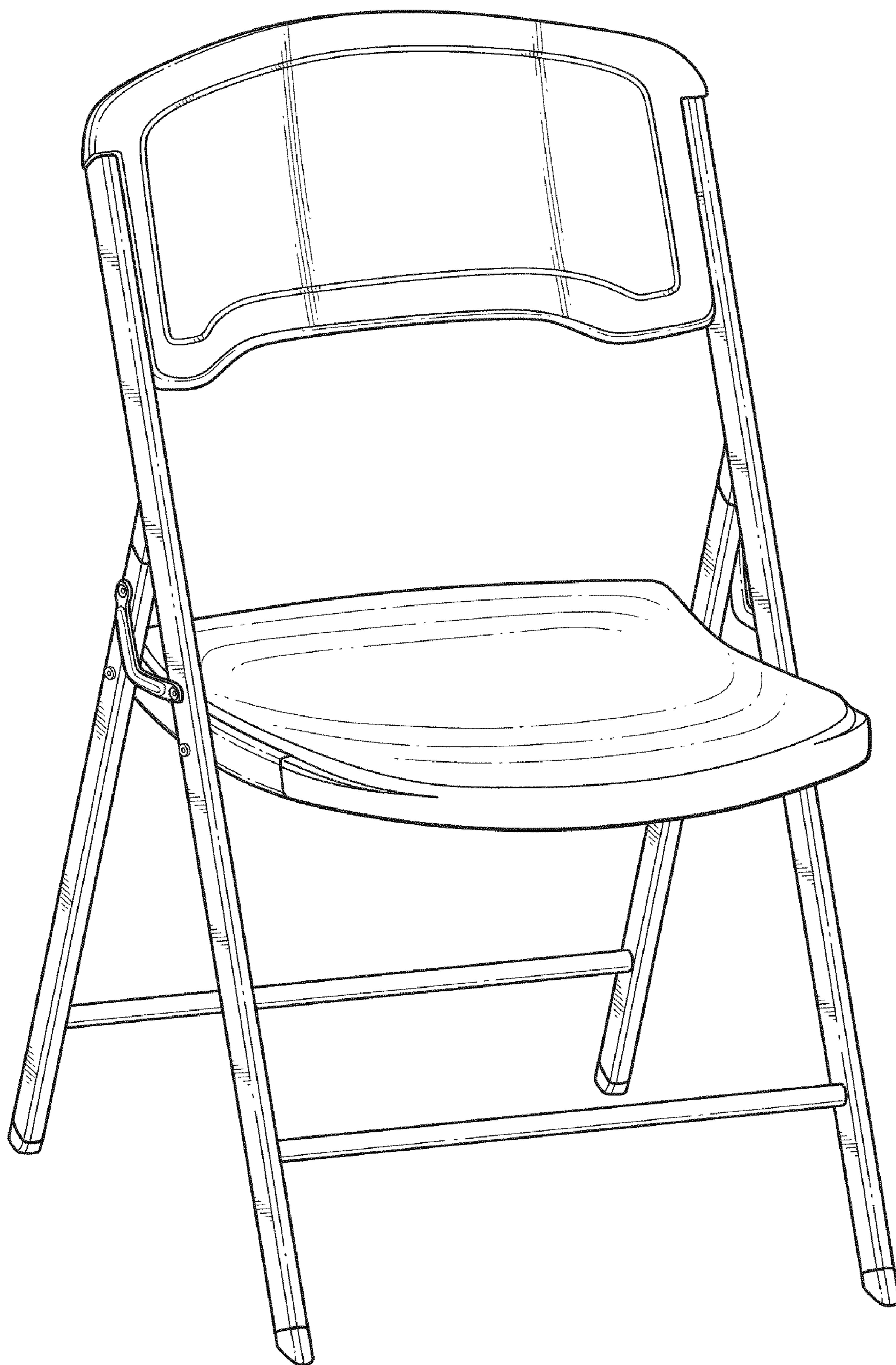
Page 2

---

## U.S. PATENT DOCUMENTS

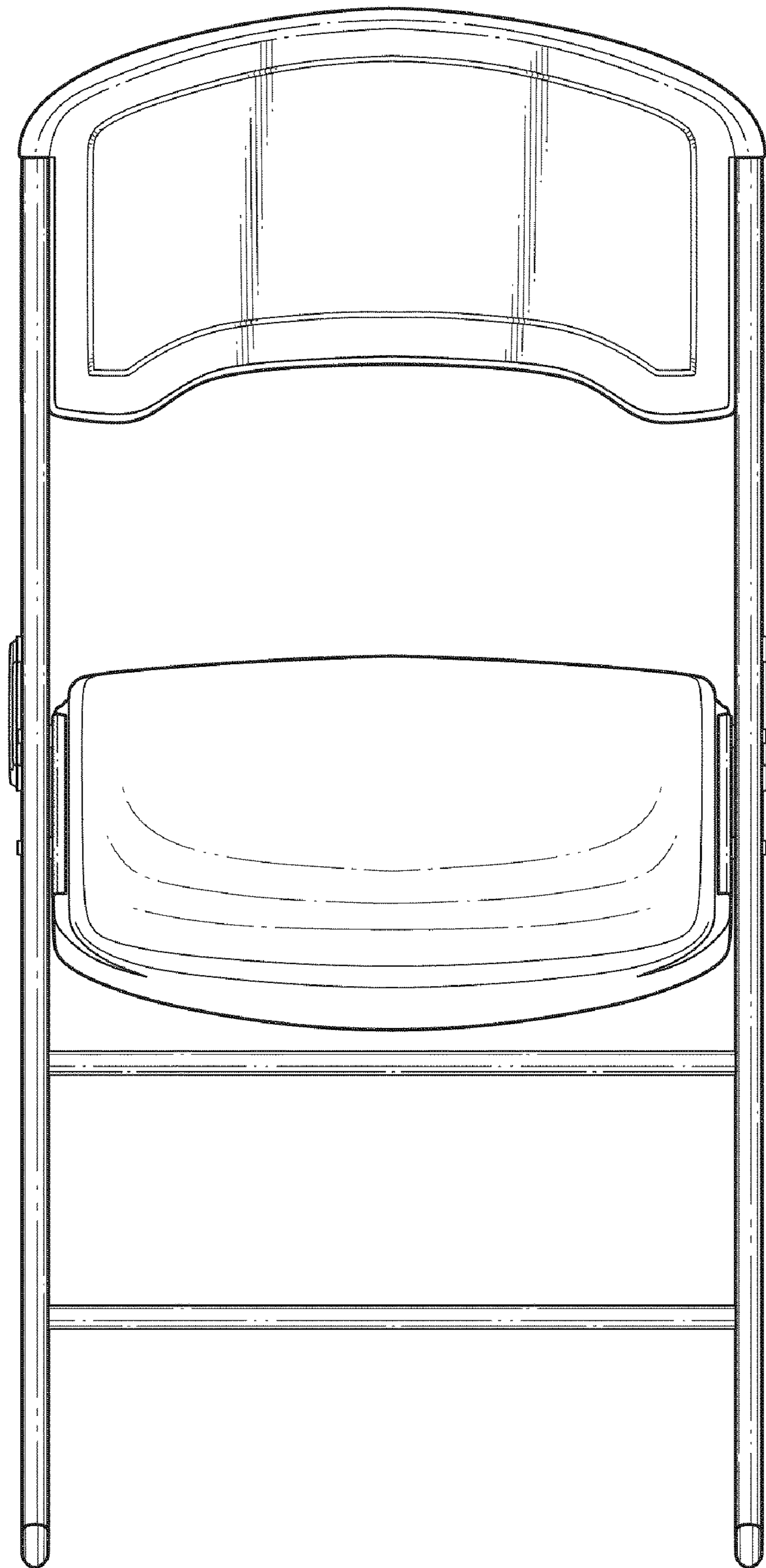
6,543,842 B2	4/2003	Haney	
D476,162 S *	6/2003	Finazzi .....	D6/368
D477,470 S	7/2003	Haney et al.	
D477,926 S	8/2003	Haney et al.	
D477,939 S	8/2003	Haney et al.	
D481,550 S	11/2003	Astle	
D482,540 S	11/2003	Ashby	
D482,543 S	11/2003	Haney et al.	
D489,192 S	5/2004	Jin et al.	
6,871,906 B2	3/2005	Haney	
D506,325 S *	6/2005	Farber et al. ....	D6/368
D507,425 S	7/2005	Ashby et al.	
D508,339 S	8/2005	Astle	
7,014,261 B2	3/2006	Haney	
7,017,986 B2	3/2006	Degen et al.	
D519,292 S	4/2006	Ashby	
D523,254 S	6/2006	Nye et al.	
D544,225 S *	6/2007	Cantarutti .....	D6/368
7,452,035 B2	11/2008	Astle et al.	
2009/0146467 A1	6/2009	Waite et al.	

\* cited by examiner

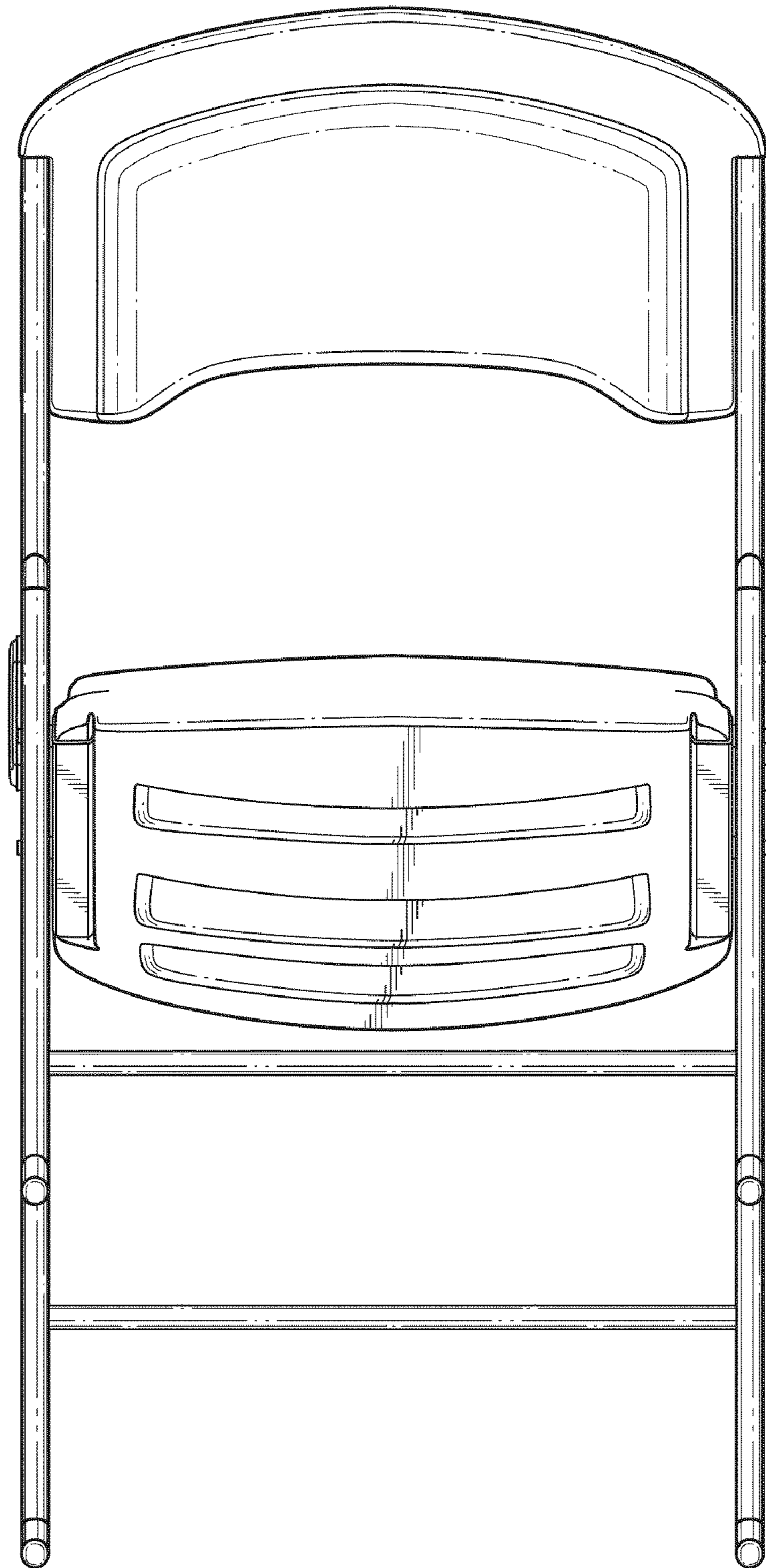


**FIG. 1**

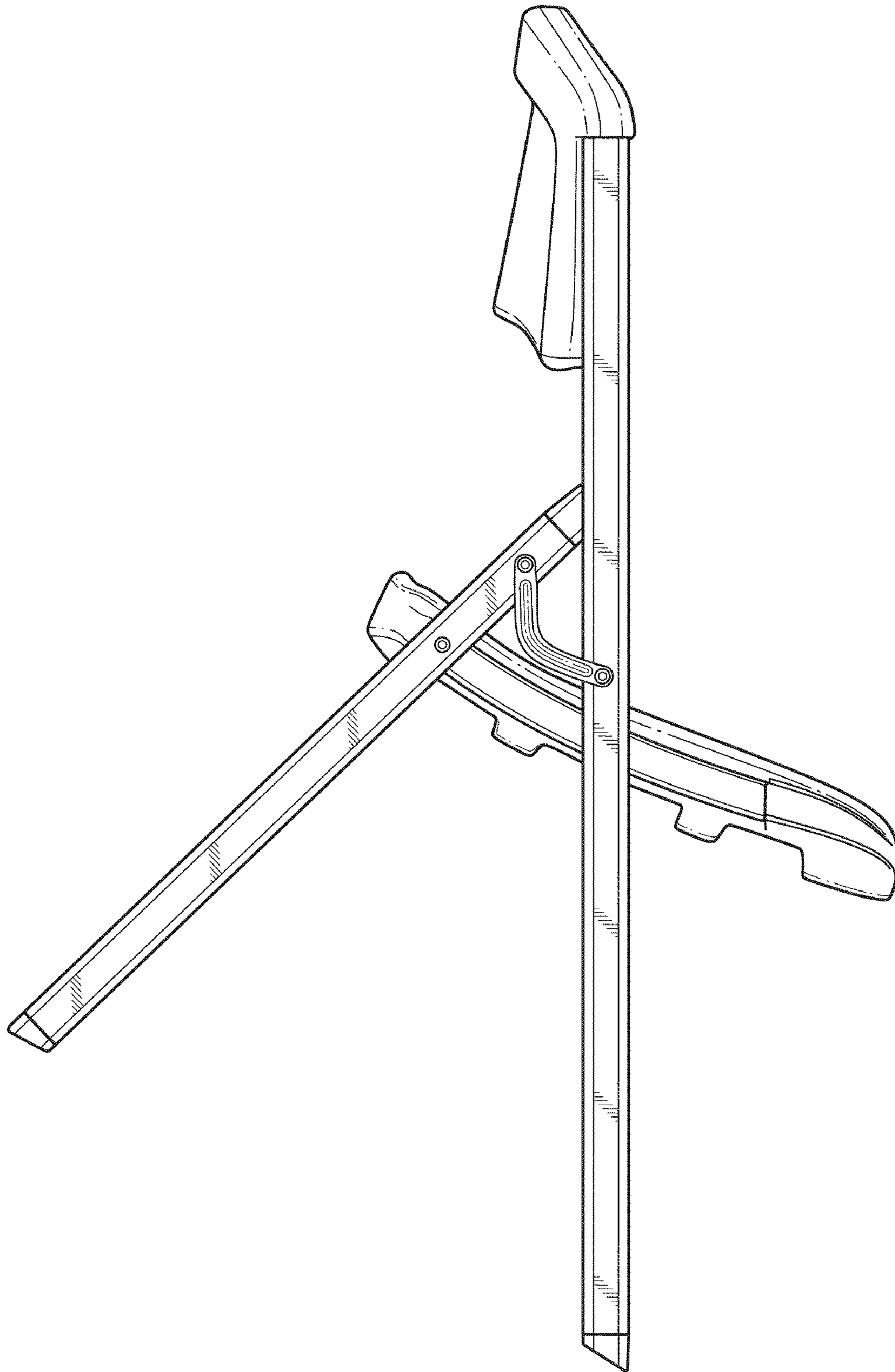




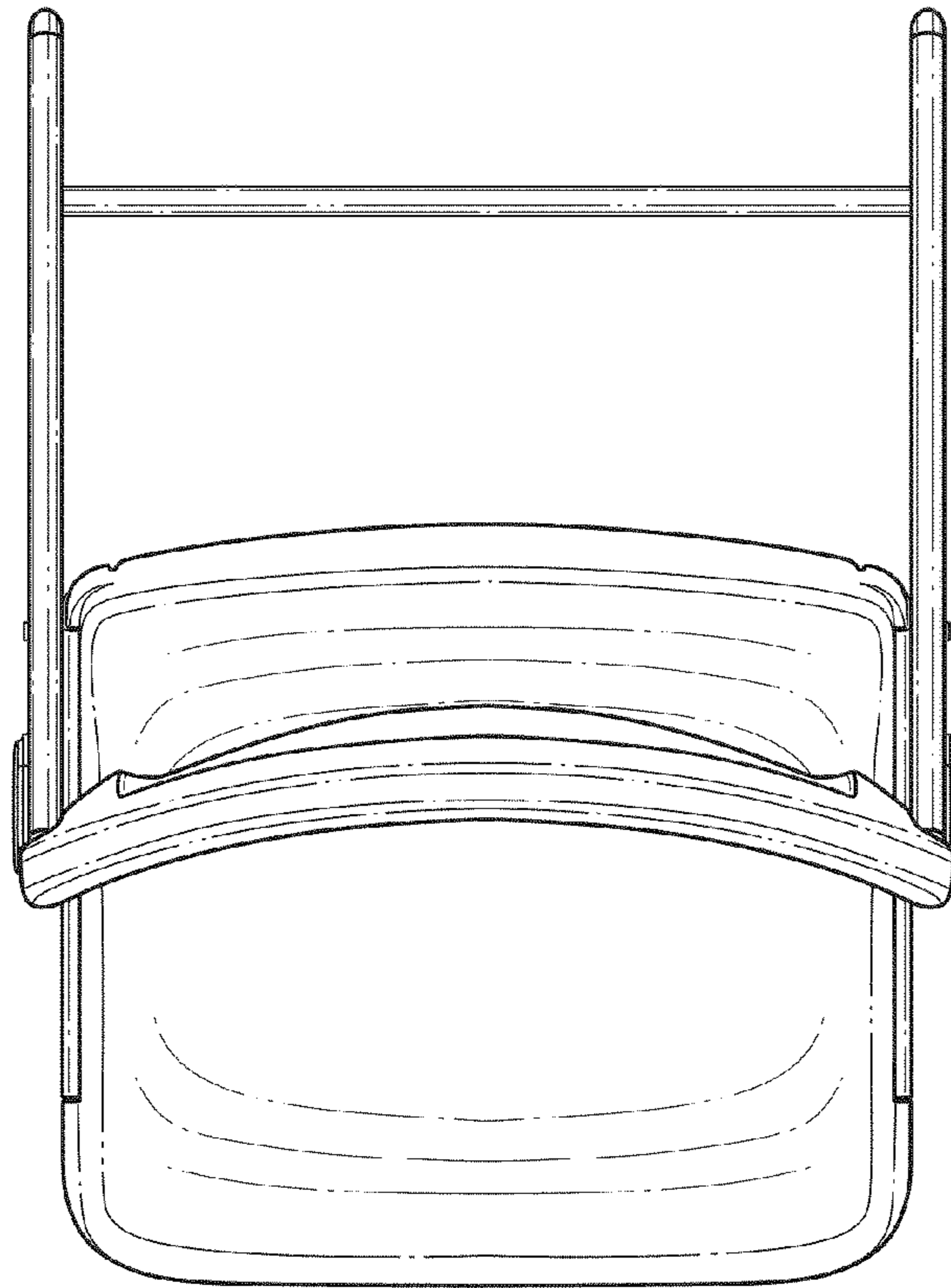
**FIG. 2**



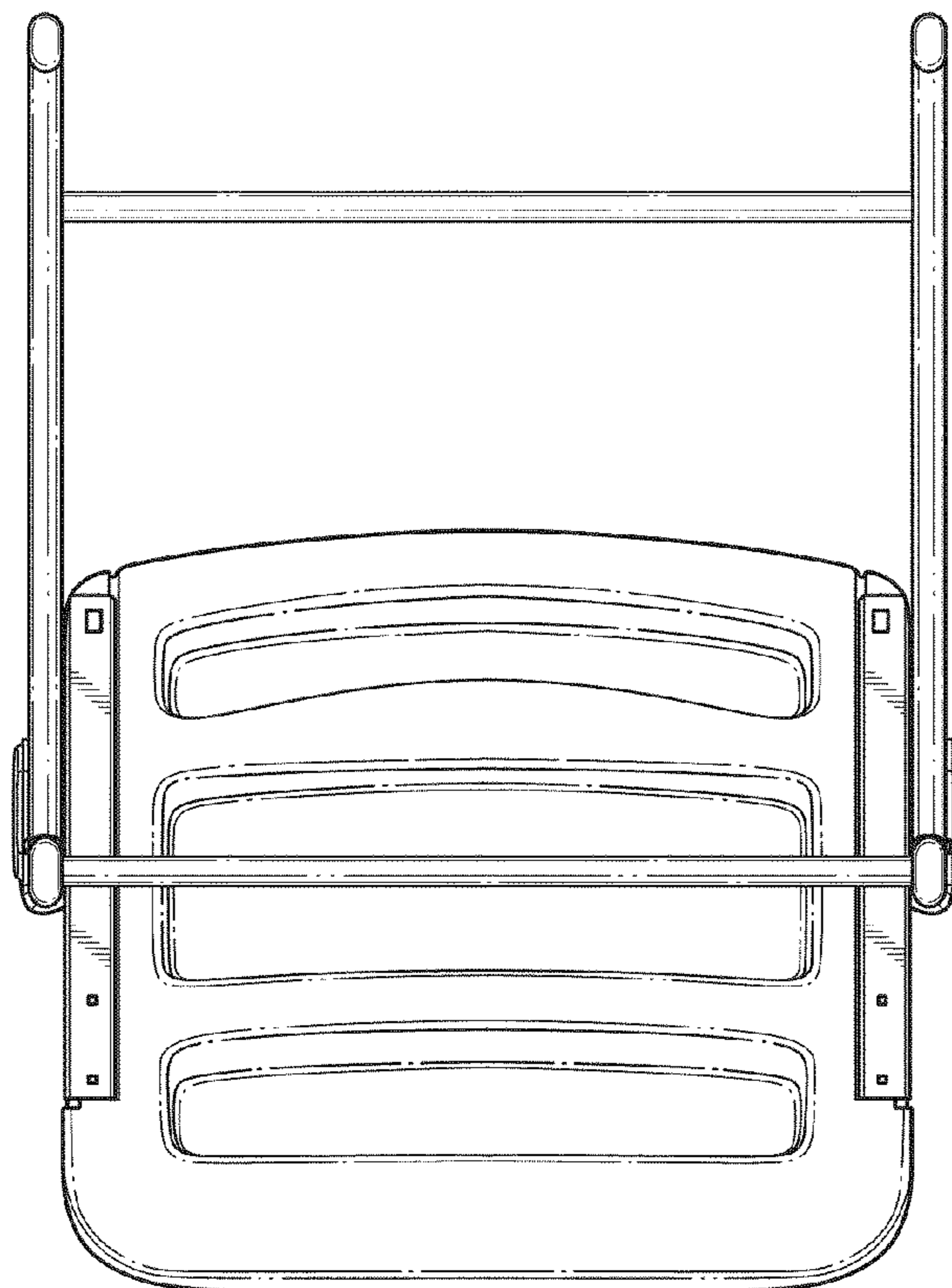
**FIG. 3**



**FIG. 4**

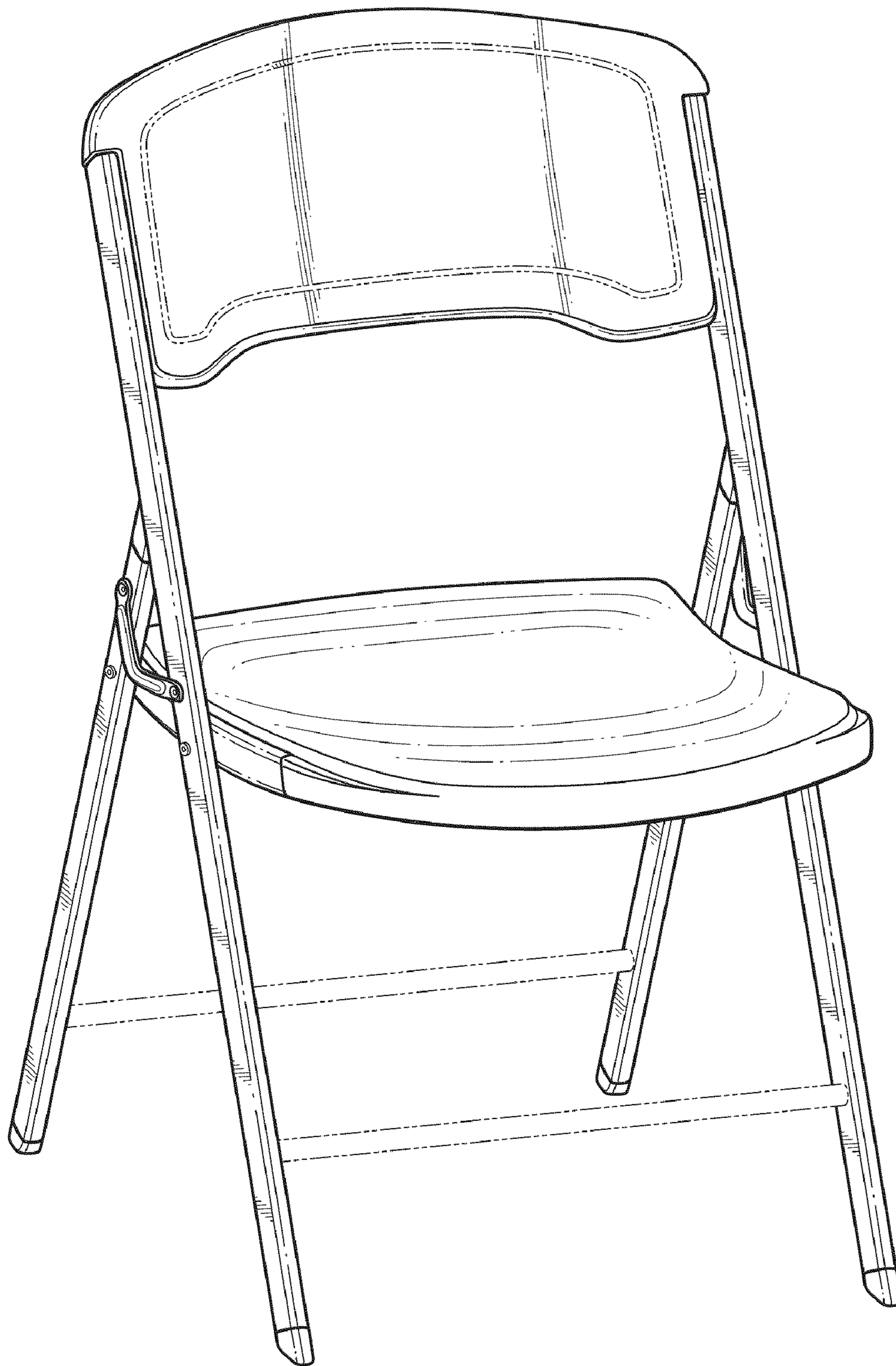


**FIG. 5**



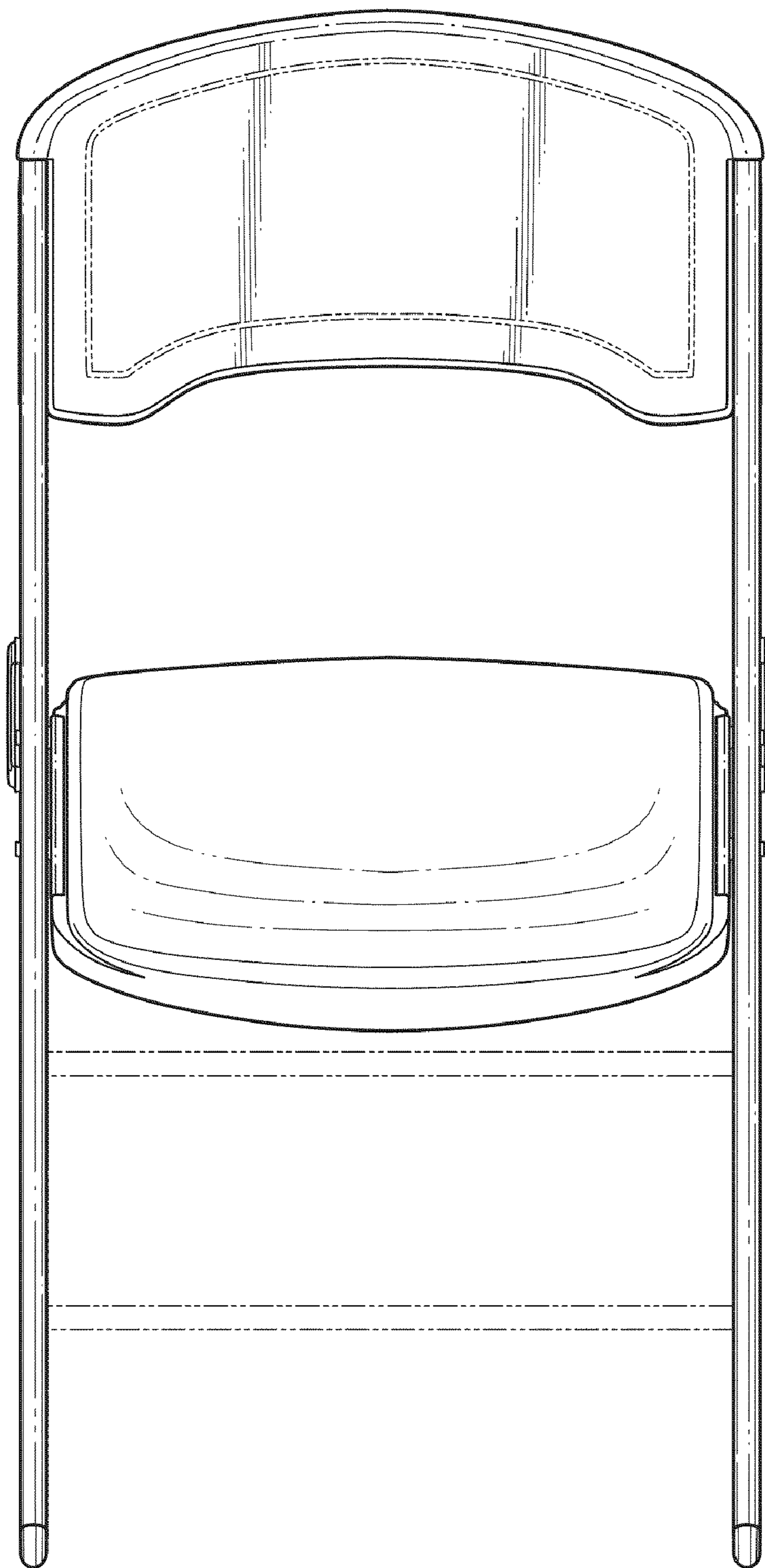
**FIG. 6**



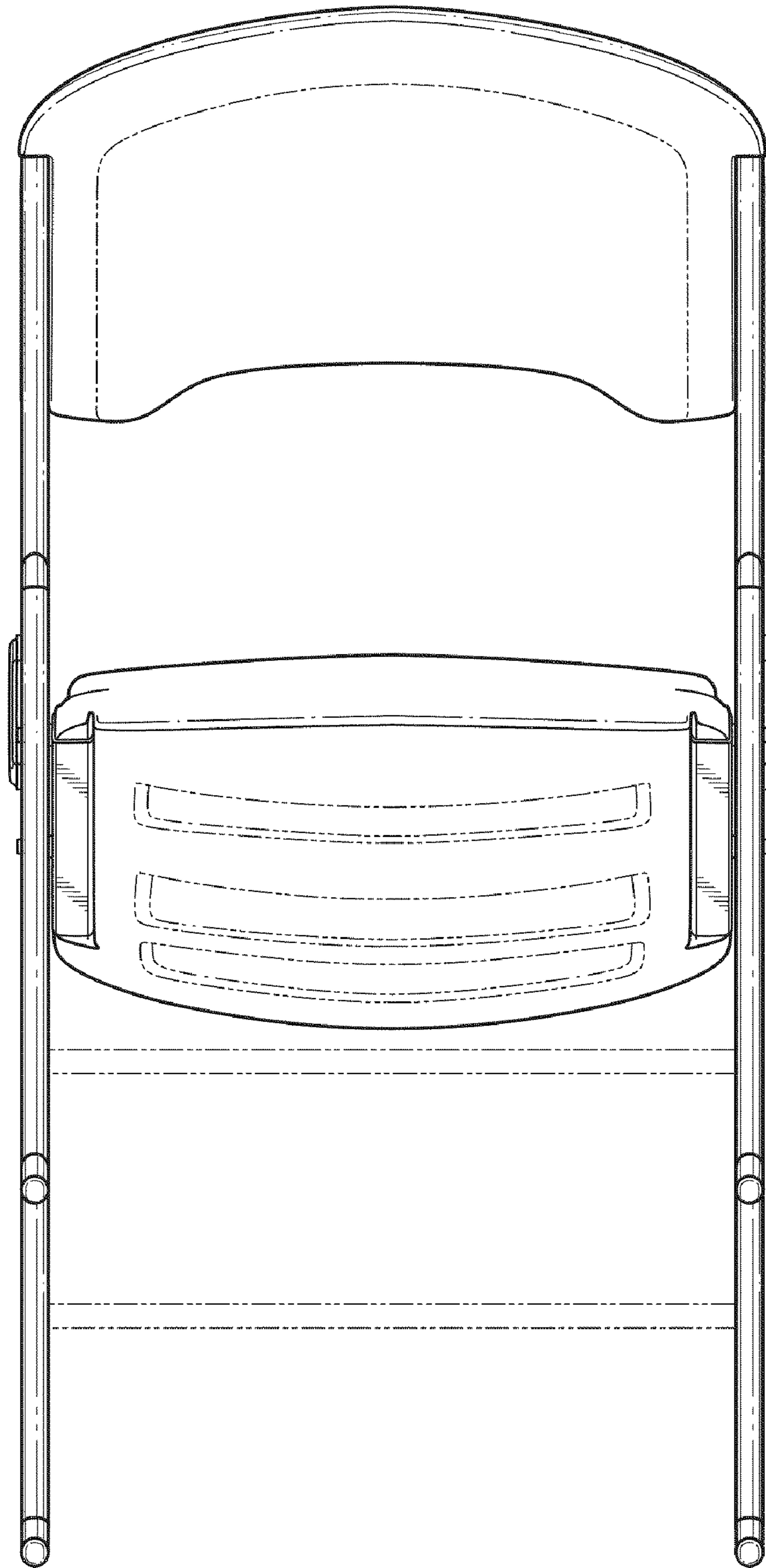


**FIG. 7**

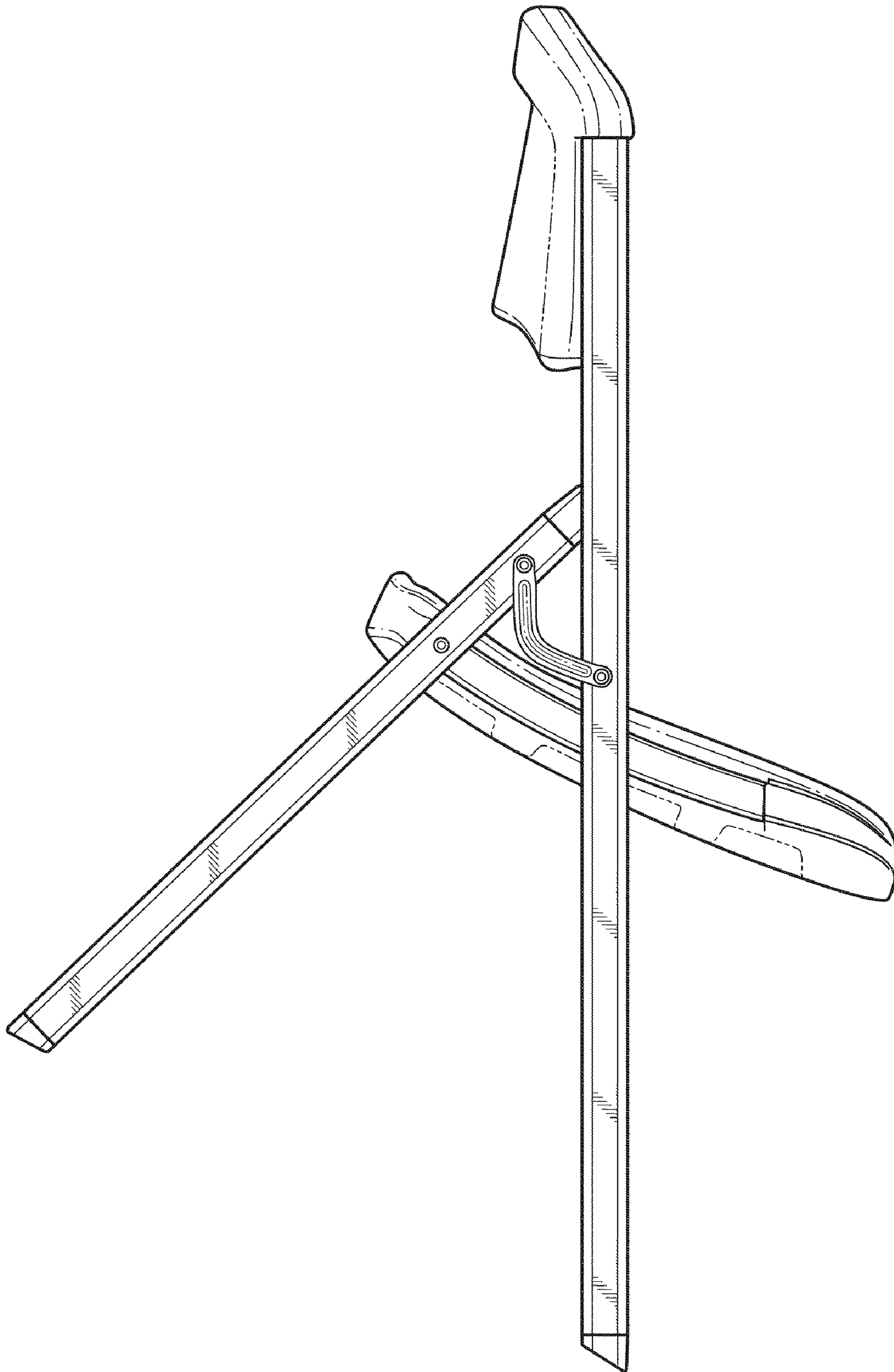




**FIG. 8**

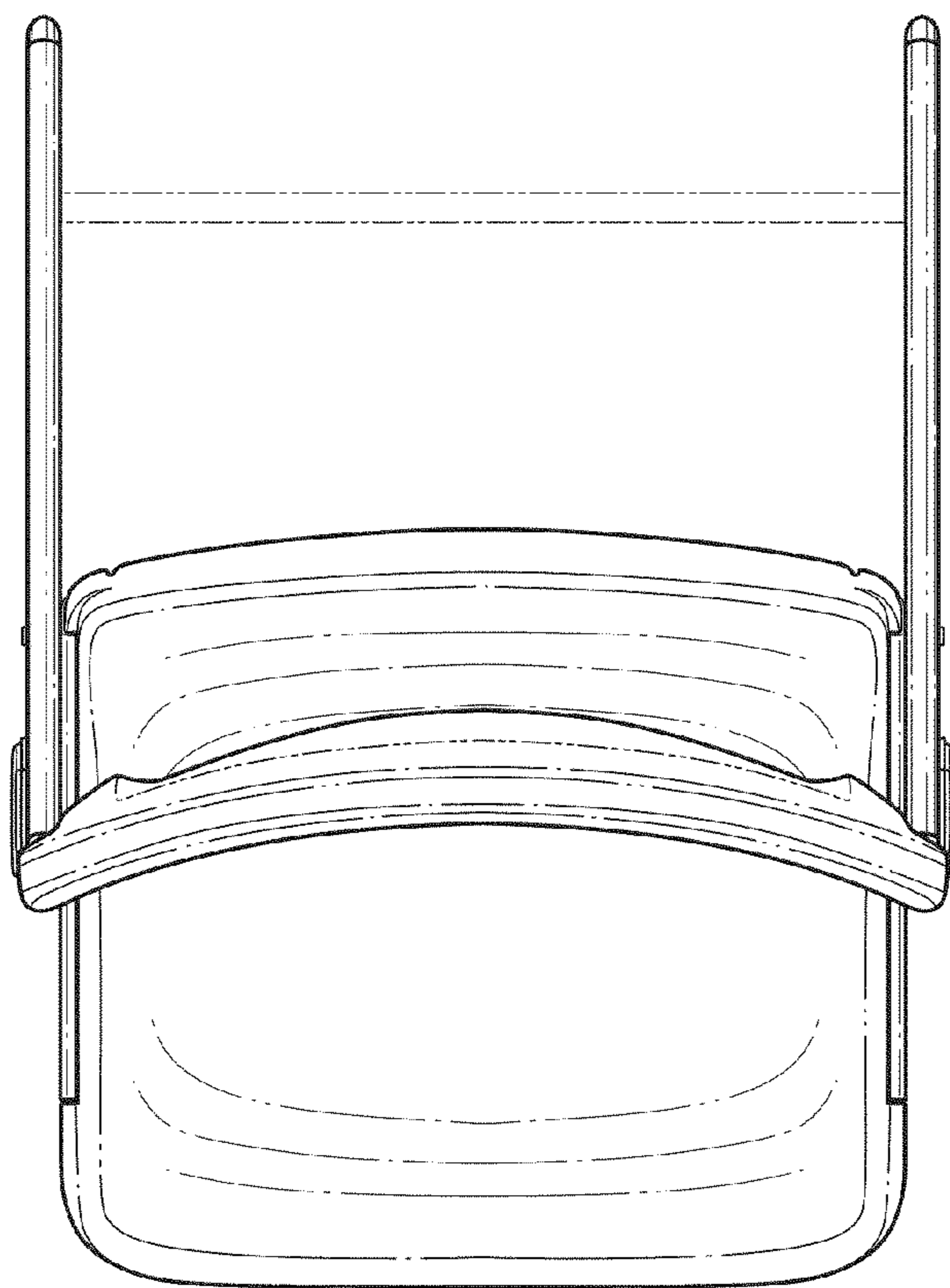


**FIG. 9**

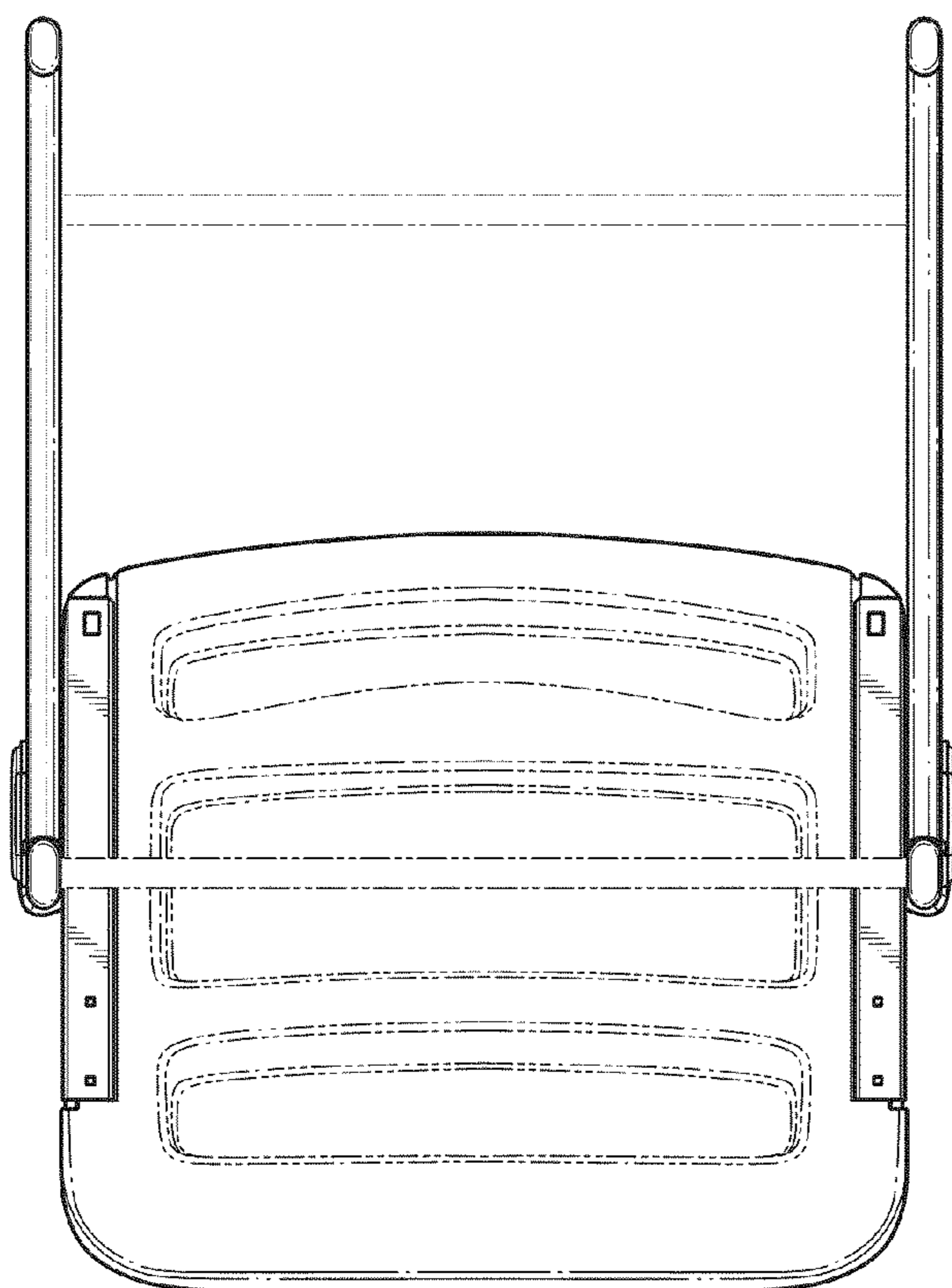


**FIG. 10**





**FIG. 11**



**FIG. 12**

UNITED STATES PATENT AND TRADEMARK OFFICE  
**CERTIFICATE OF CORRECTION**

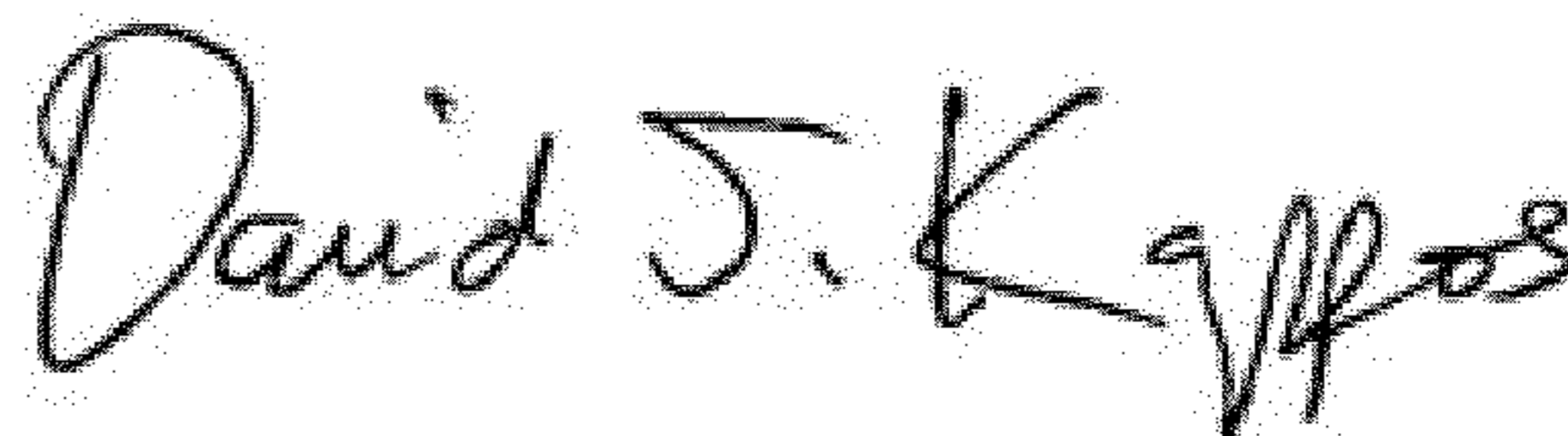
PATENT NO. : D655,932 S  
APPLICATION NO. : 29/394086  
DATED : March 20, 2012  
INVENTOR(S) : Ashby et al.

Page 1 of 1

It is certified that error appears in the above-identified patent and that said Letters Patent is hereby corrected as shown below:

On Page 2, item (56), under “U.S. PATENT DOCUMENTS”, in Column 1, Line 9, below  
“D489,192 S”, insert -- D498,071 S 11/2004 Ashby et al. --.

Signed and Sealed this  
Twenty-sixth Day of June, 2012

A handwritten signature in black ink that reads "David J. Kappos". The signature is written in a cursive, slightly slanted style.

David J. Kappos  
*Director of the United States Patent and Trademark Office*