



US00D655931S

(12) **United States Design Patent**
Chuang et al.

(10) **Patent No.:** **US D655,931 S**
(45) **Date of Patent:** **** Mar. 20, 2012**

(54) **MASSAGE CHAIR**

(75) Inventors: **Ken Sain Keat Chuang**, Tampines (SG);
Alain Kim Loon Chan, Ipoh (MY)

(73) Assignee: **Human Touch, LLC**, Long Beach, CA
(US)

(**) Term: **14 Years**

(21) Appl. No.: **29/403,834**

(22) Filed: **Oct. 11, 2011**

(51) **LOC (9) Cl.** **06-01**

(52) **U.S. Cl.** **D6/367**

(58) **Field of Classification Search** D6/334-336,
D6/360, 361, 367, 371, 373, 379, 500-502;
297/148, 149, 150, 353, 219.1, 354.1, 423.2,
297/440.1, 448.1; 601/49, 57, 58, 59, 90,
601/91, 97-99, 101, 115, 116, 148, 149
See application file for complete search history.

(56) **References Cited**

U.S. PATENT DOCUMENTS

D500,212 S	*	12/2004	Potter	D6/367
D500,608 S	*	1/2005	Potter et al.	D6/367
D500,609 S	*	1/2005	Potter	D6/367
D511,900 S	*	11/2005	Inada et al.	D6/367

D536,892 S	*	2/2007	Lifeng	D6/367
D537,642 S	*	3/2007	Potter	D6/367
D537,646 S	*	3/2007	Potter et al.	D6/367
D539,051 S	*	3/2007	Dehli et al.	D6/367
D557,029 S	*	12/2007	Potter	D6/367
D627,175 S	*	11/2010	Chan	D6/367

* cited by examiner

Primary Examiner — Mimoso De

(74) *Attorney, Agent, or Firm* — Christie, Parker & Hale,
LLP

(57) **CLAIM**

The ornamental design for massage chair, as shown and described.

DESCRIPTION

FIG. 1 is a front perspective view of a massage chair;
FIG. 2 is a front view of the massage chair of FIG. 1;
FIG. 3 is a left side view of the massage chair of FIG. 1;
FIG. 4 is a rear view of the massage chair of FIG. 1;
FIG. 5 is a top view of the massage chair of FIG. 1; and,
FIG. 6 is a front perspective view of an alternate embodiment
of the massage chair of FIG. 1.

The broken lines shown in the drawing are for illustrative
purposes only and form no part of the claimed design.

1 Claim, 6 Drawing Sheets

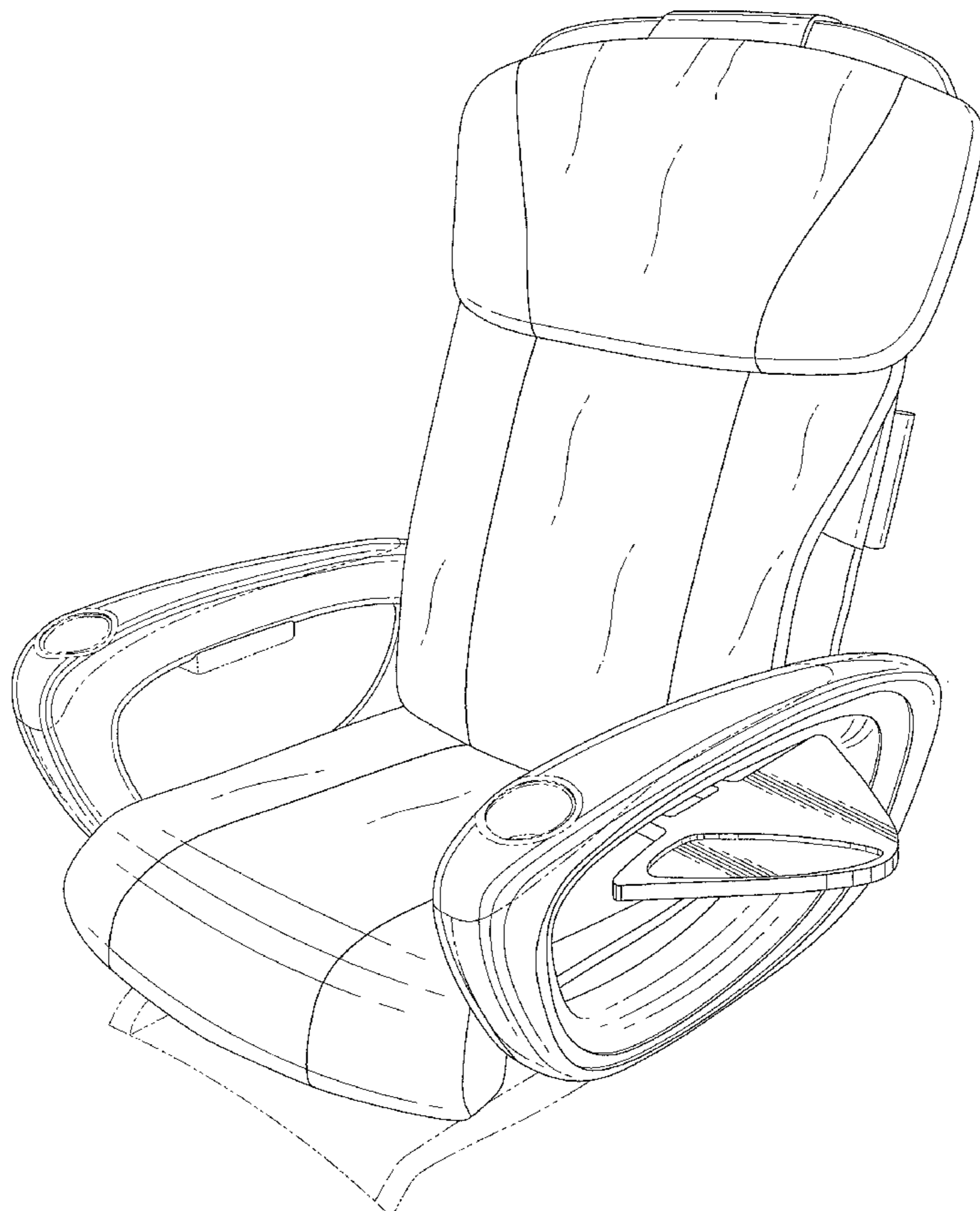


FIG. 1

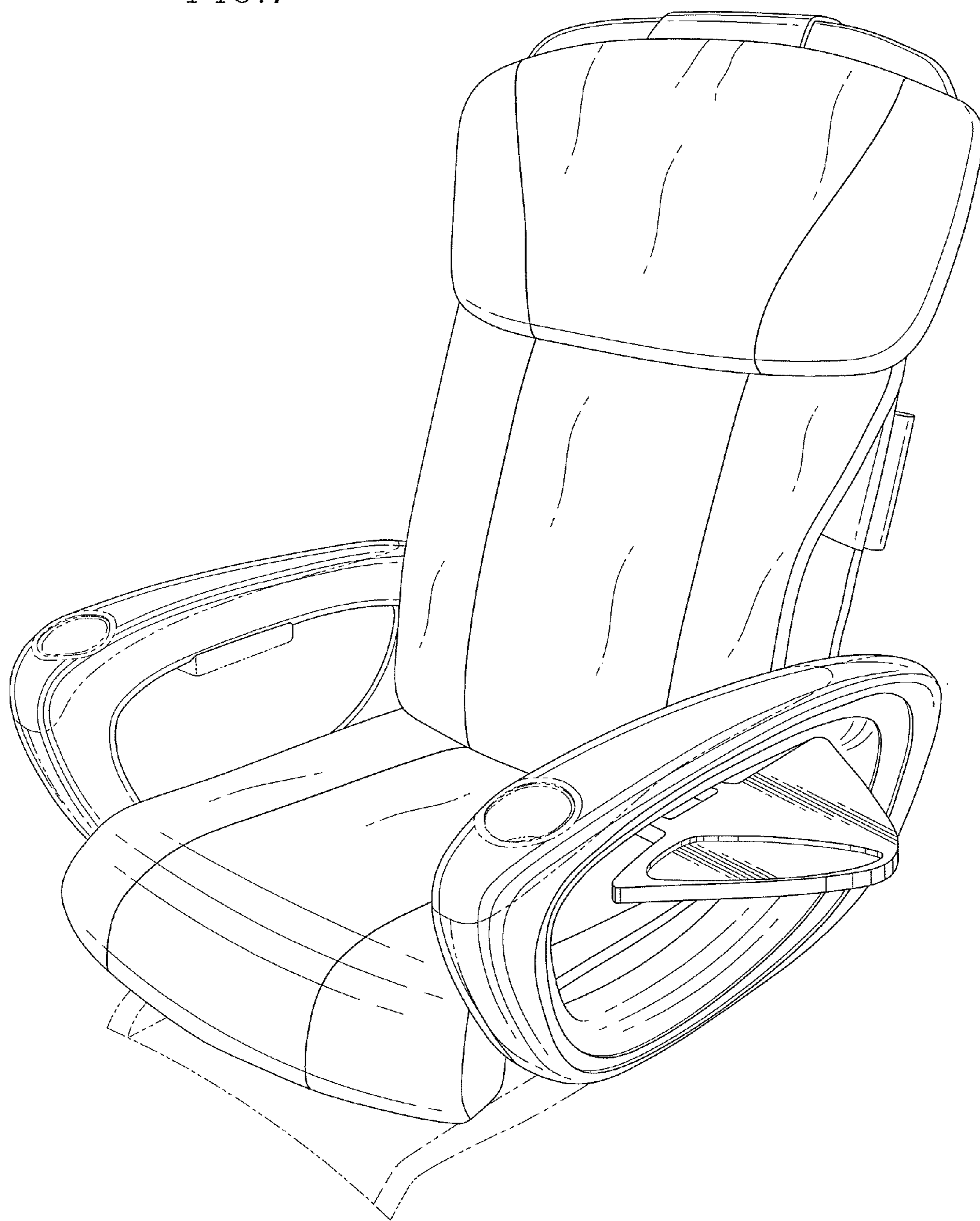


FIG. 2

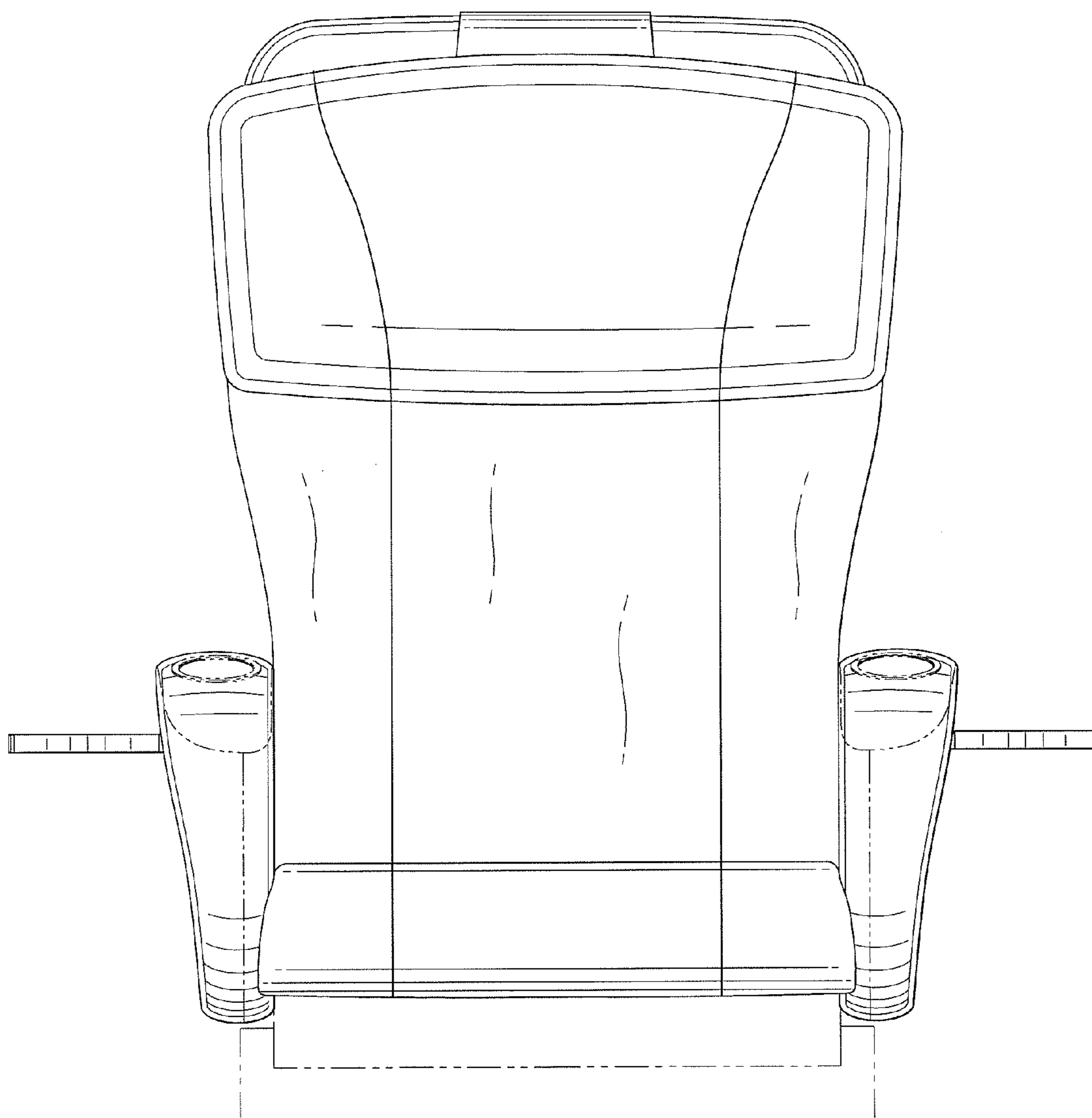


FIG. 3

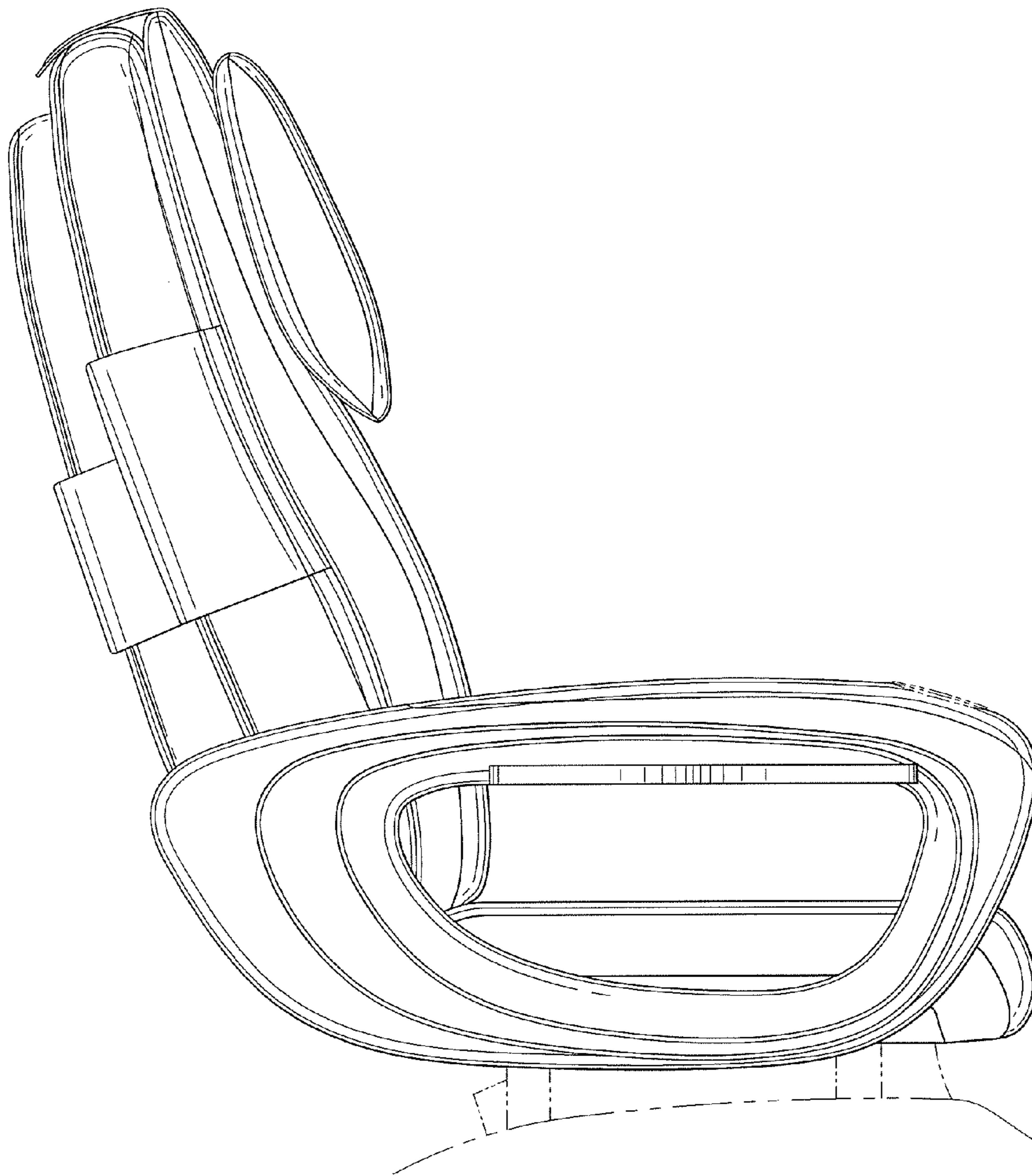


FIG. 4

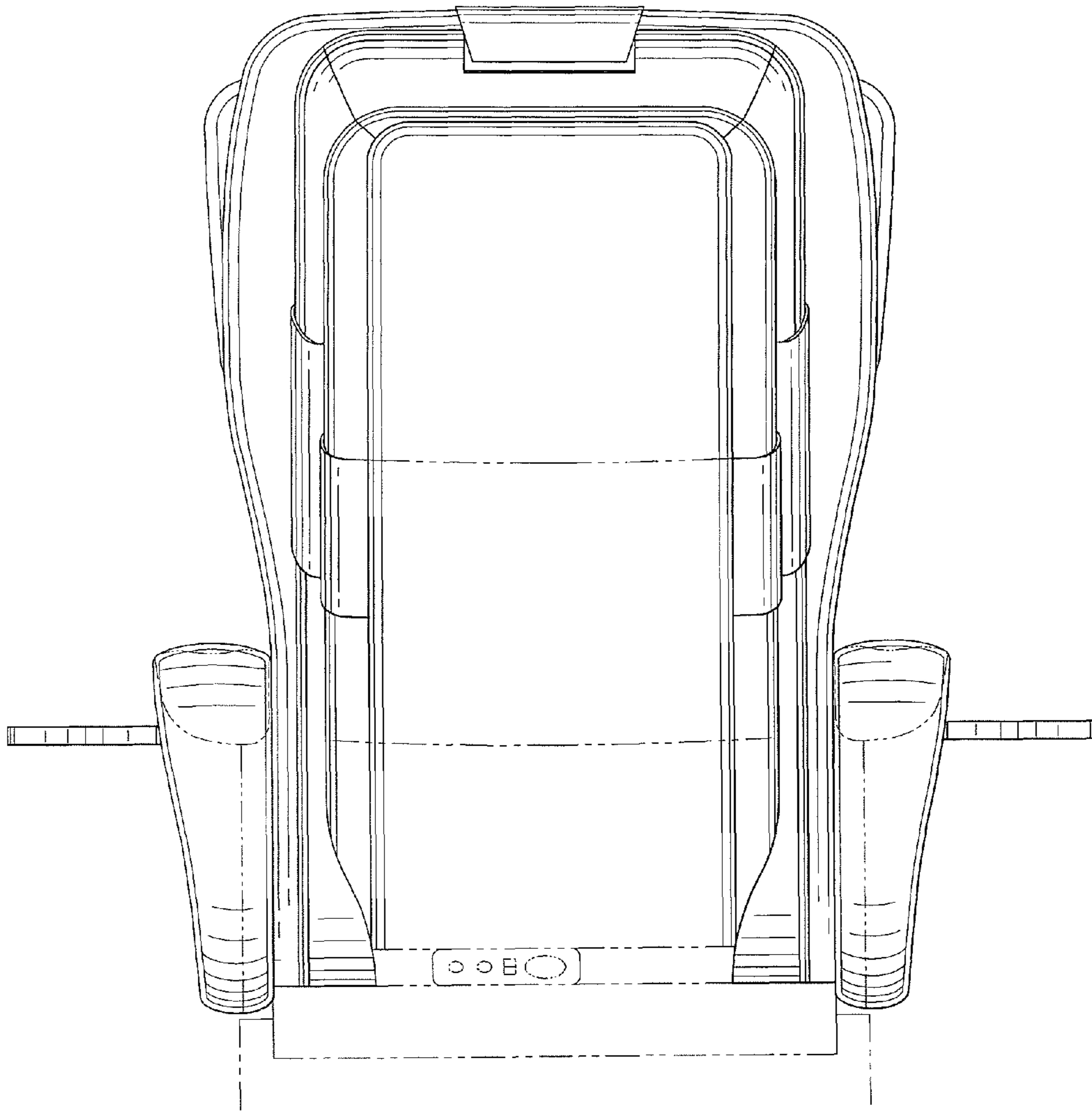


FIG. 5

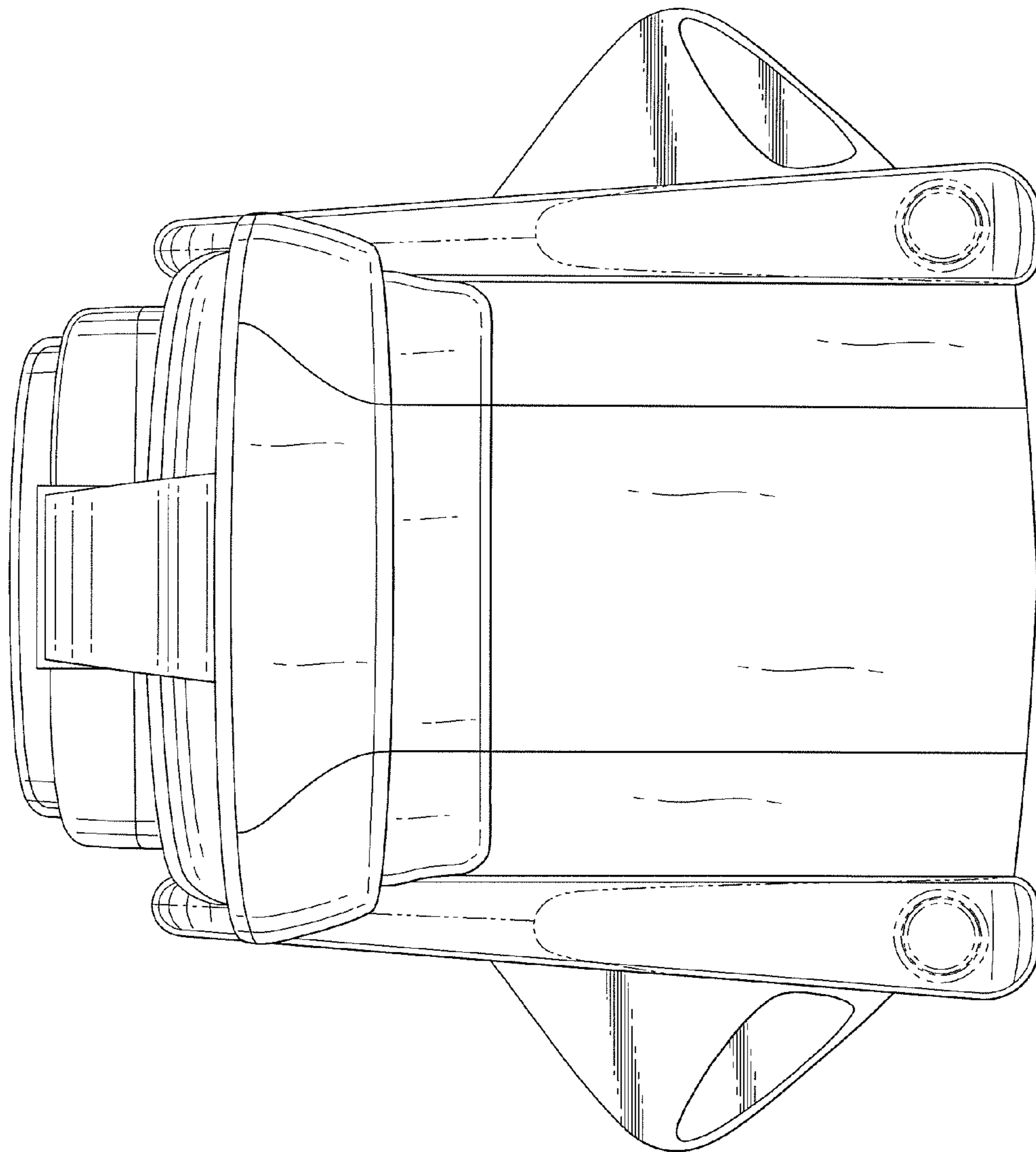


FIG. 6

