



US00D655930S

(12) **United States Design Patent**
Lee

(10) **Patent No.:** **US D655,930 S**
(45) **Date of Patent:** **** Mar. 20, 2012**

(54) **CHAIR FOR 4D MOVIE SHOWING FACILITIES**

(75) Inventor: **Jae Won Lee**, Seoul (KR)

(73) Assignee: **CJ CGV Co., Ltd.**, Seoul (KR)

(**) Term: **14 Years**

(21) Appl. No.: **29/378,028**

(22) Filed: **Oct. 28, 2010**

(30) **Foreign Application Priority Data**

Jun. 23, 2010 (KR) 3020100027663

(51) **LOC (9) Cl.** **06-01**

(52) **U.S. Cl.** **D6/367**

(58) **Field of Classification Search** D6/334-336,
D6/342, 356, 360-369, 372-381, 498, 500-502,
D6/601; 244/118.6; 297/217.3, 232, 248,
297/284.4-284.5, 291, 297, 411.2, 411.27-411.29,
297/451.1, 452.13, 452.18, 452.21, 452.29,
297/452.3, 452.56, 452.64

See application file for complete search history.

(56) **References Cited**

U.S. PATENT DOCUMENTS

D239,148 S * 3/1976 Mendell et al. D6/342
D250,071 S * 10/1978 Dickerson D6/356

D336,379 S * 6/1993 Veneruso D6/356
5,984,415 A * 11/1999 Schumacher et al. 297/411.2
D428,276 S * 7/2000 Mitjans D6/381
6,644,738 B2 * 11/2003 Williamson 297/232
6,776,455 B2 * 8/2004 Longtin et al. 297/217.3
D505,796 S * 6/2005 Johnson D6/356
7,066,551 B2 * 6/2006 Johnson 297/452.18
7,354,019 B2 * 4/2008 Bauer 244/118.6
2004/0021349 A1 * 2/2004 Longtin et al. 297/217.3
2004/0046430 A1 * 3/2004 Plant et al. 297/248
2004/0195875 A1 * 10/2004 Skelly 297/217.3

* cited by examiner

Primary Examiner — Ricky Pham

(74) *Attorney, Agent, or Firm* — Seed IP Law Group PLLC

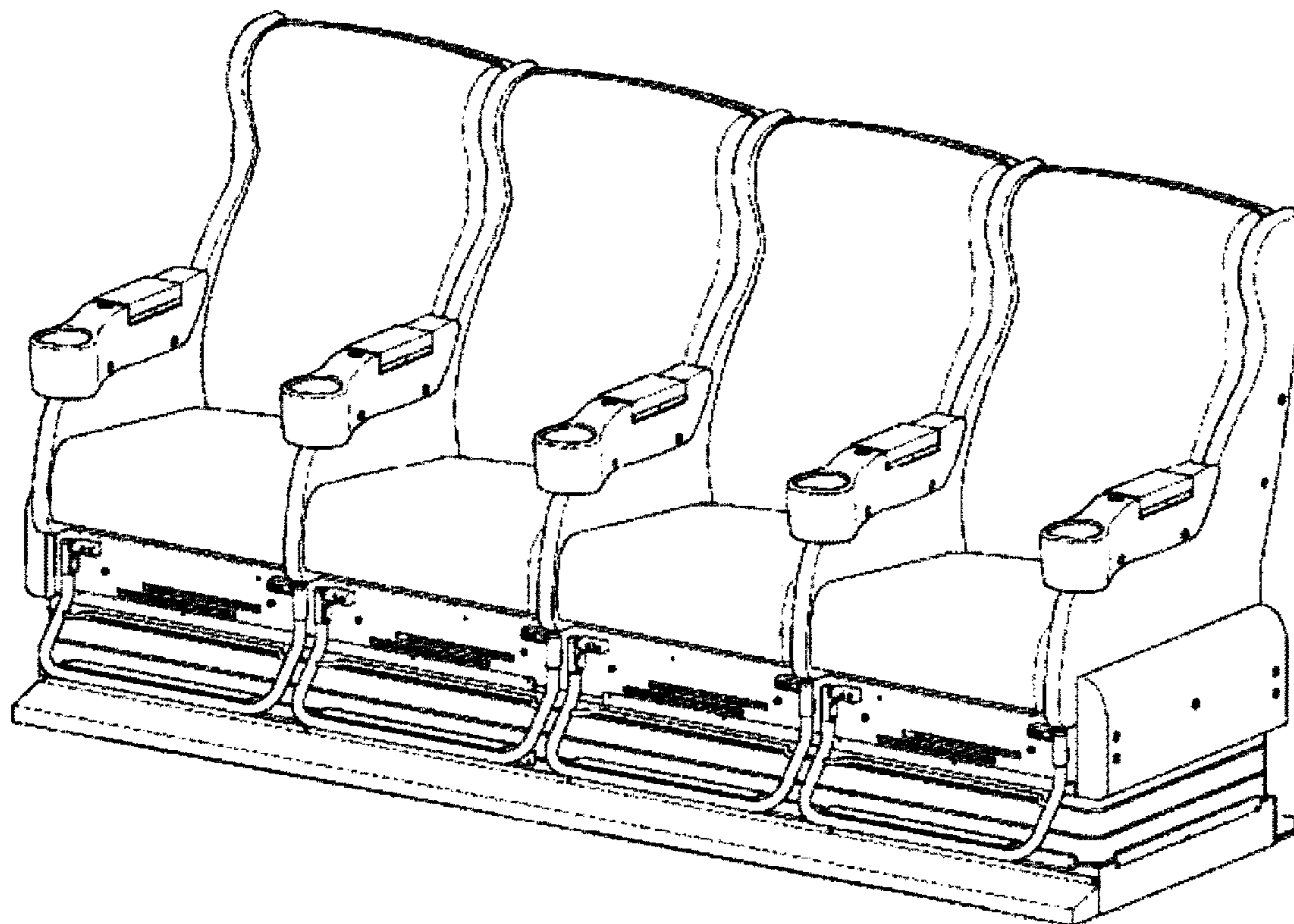
(57) **CLAIM**

The ornamental design for a chair for 4D movie showing facilities, as shown and described.

DESCRIPTION

FIG. 1.1 is a front perspective view of a chair for 4D movie showing facilities showing my new design.
FIG. 1.2 is a front elevational view thereof.
FIG. 1.3 is a back elevational view thereof.
FIG. 1.4 is a left side elevational view thereof.
FIG. 1.5 is a top plan view thereof; and,
FIG. 1.6 is a bottom plan view thereof.

1 Claim, 4 Drawing Sheets



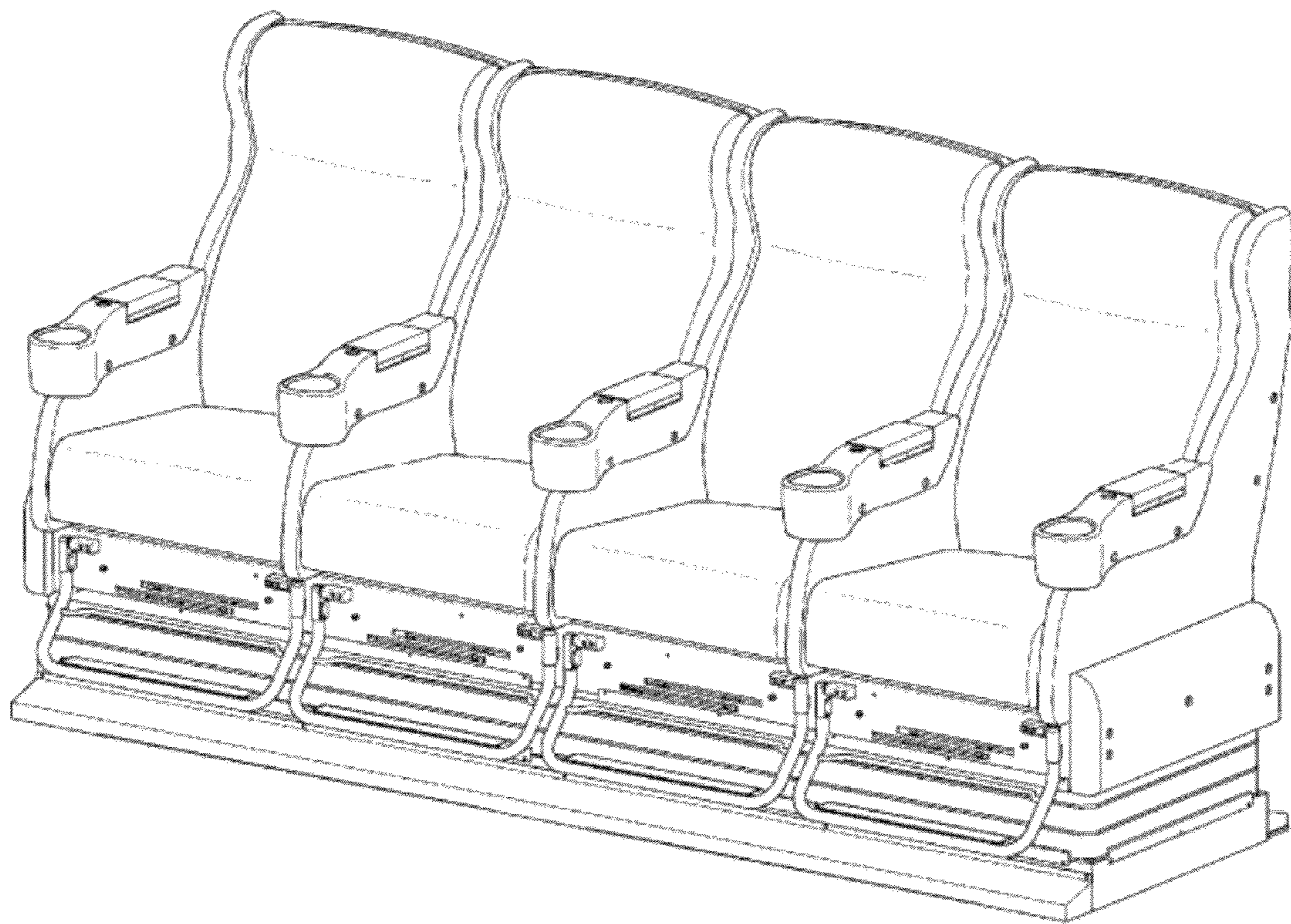


Figure 1.1

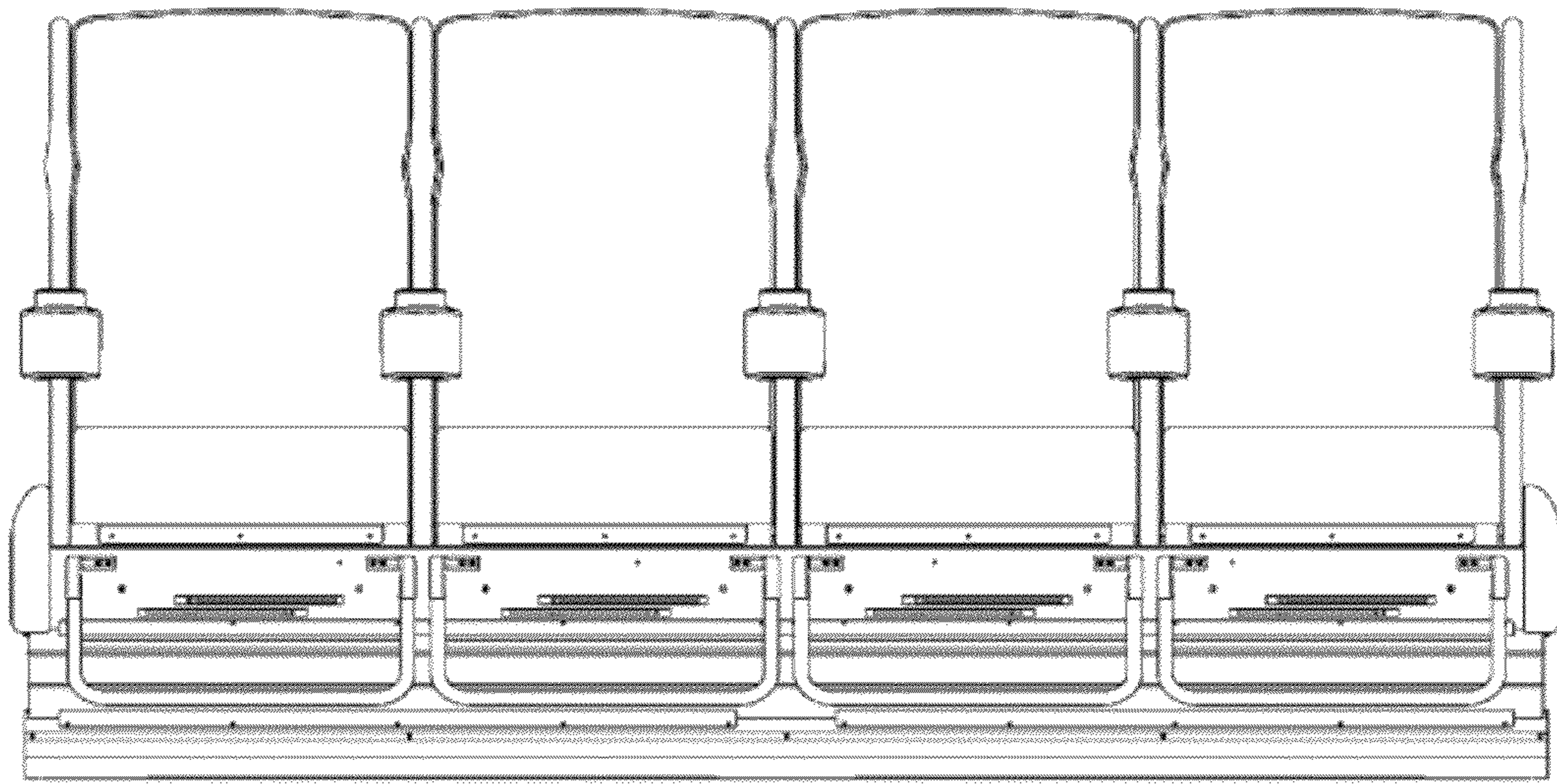


Figure 1.2

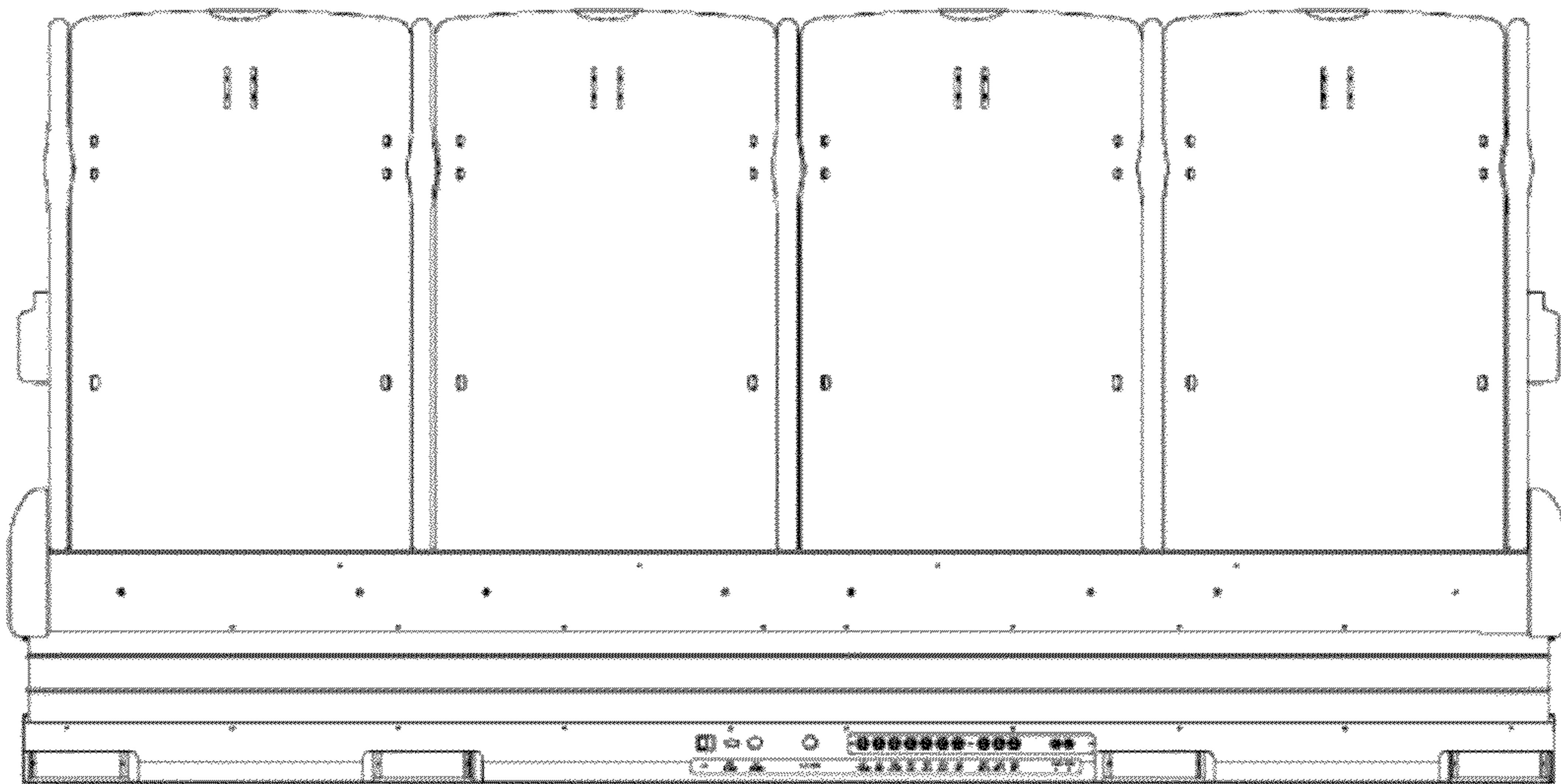


Figure 1.3

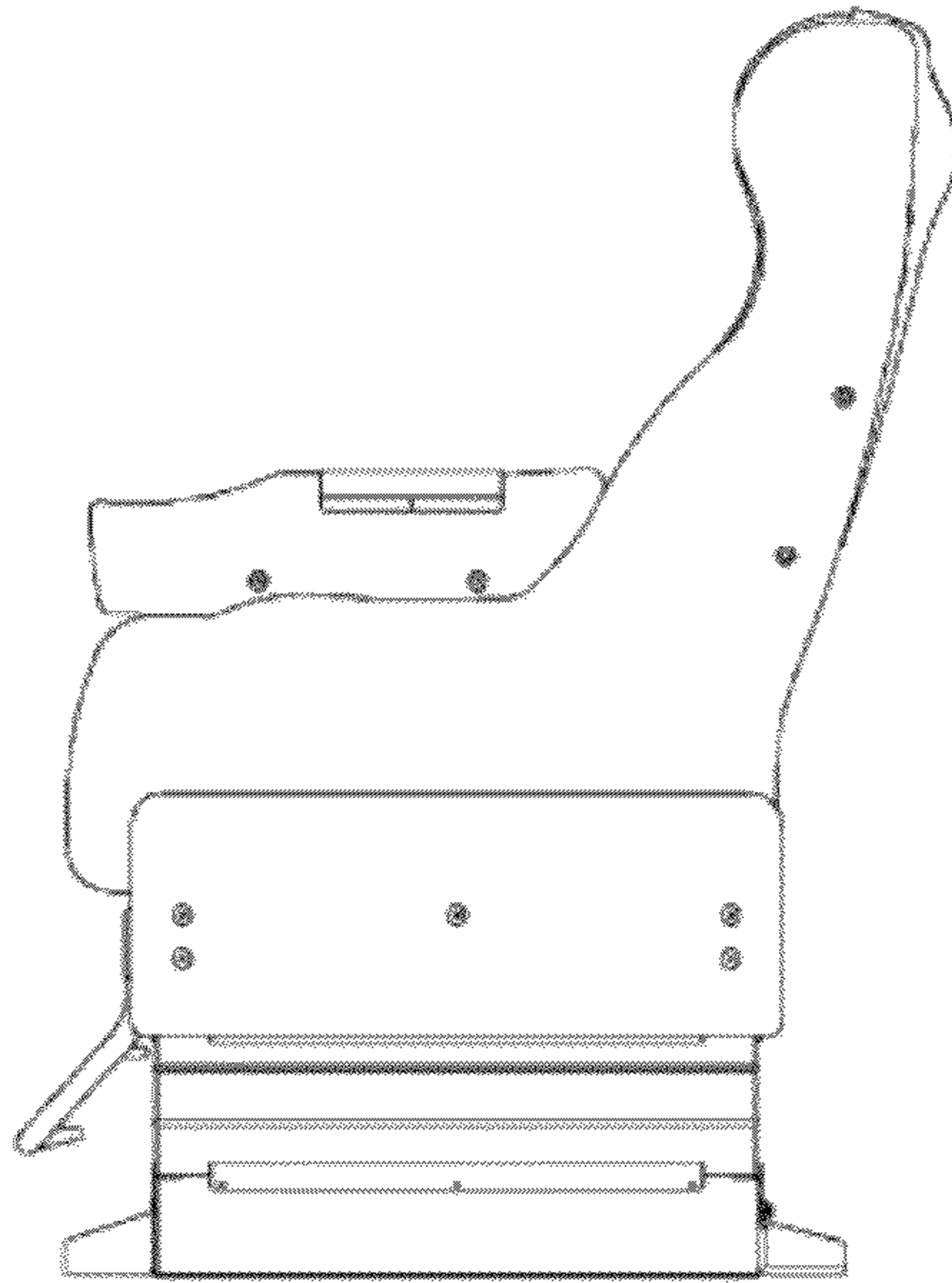


Figure 1.4

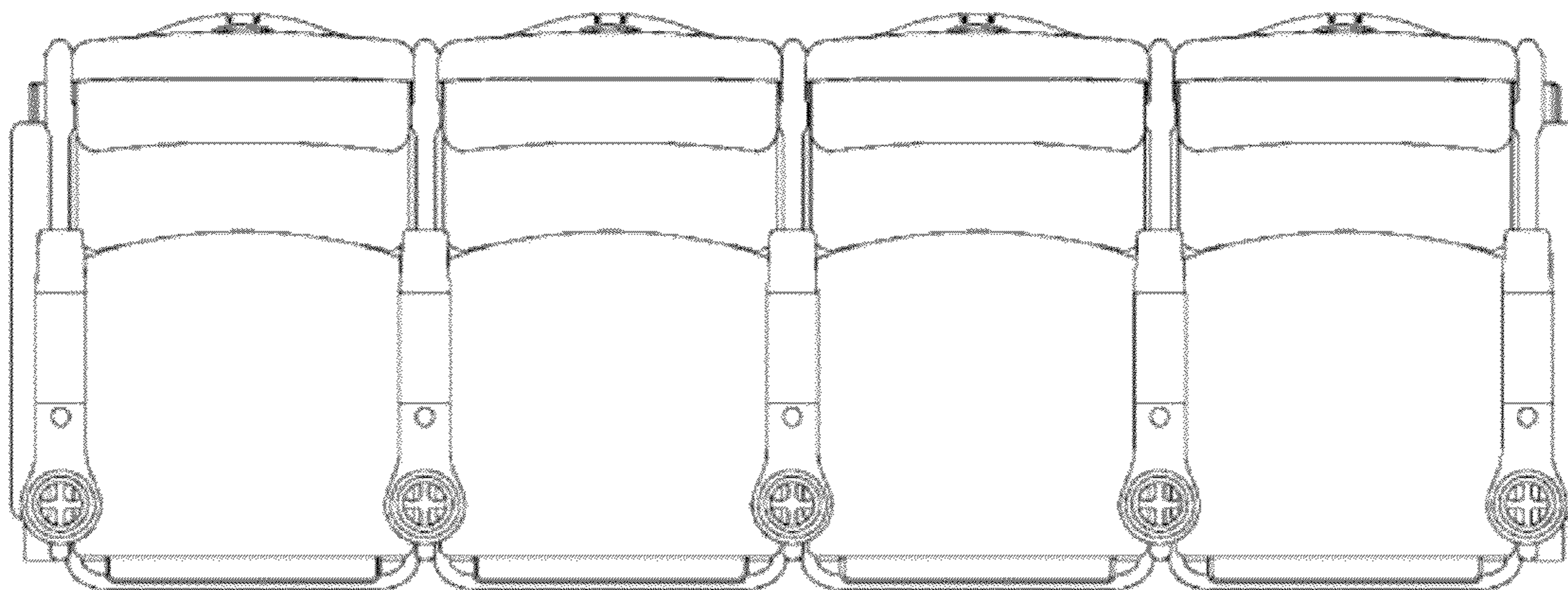


Figure 1.5

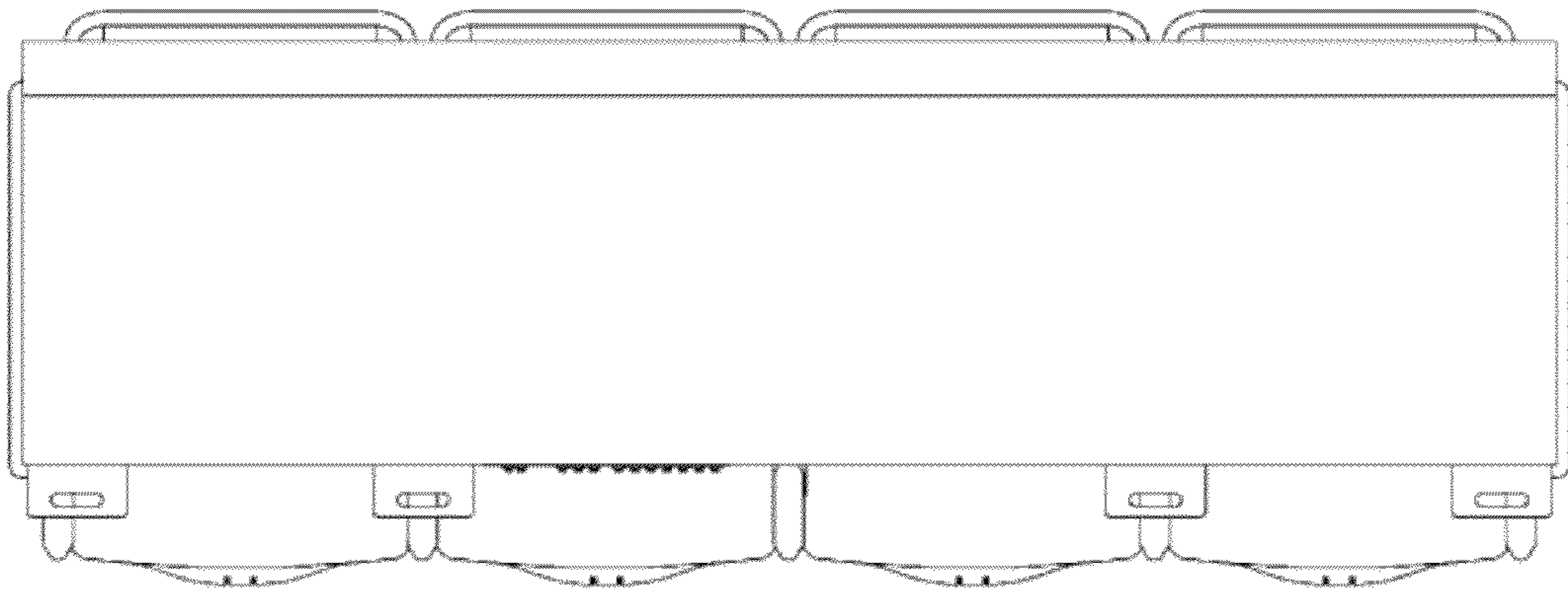


Figure 1.6

UNITED STATES PATENT AND TRADEMARK OFFICE
CERTIFICATE OF CORRECTION

PATENT NO. : D655,930 S
APPLICATION NO. : 29/378028
DATED : March 20, 2012
INVENTOR(S) : Jae Won Lee

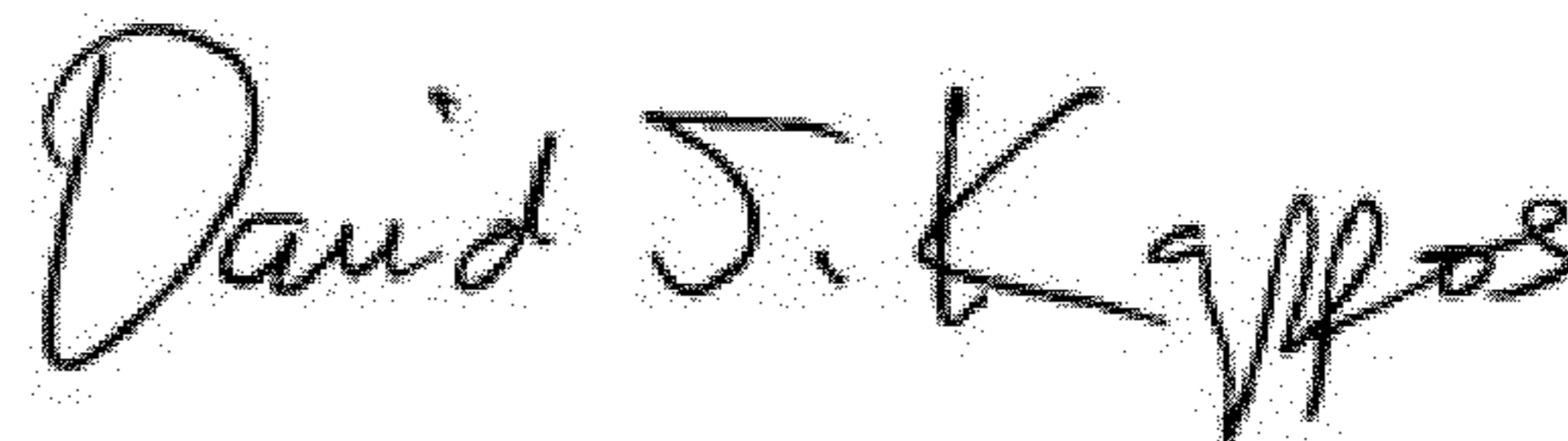
Page 1 of 1

It is certified that error appears in the above-identified patent and that said Letters Patent is hereby corrected as shown below:

Title Page Item (73)

CJ 4DPLEX Co., Ltd., Seoul, Republic of Korea should be listed as Assignee.

Signed and Sealed this
Twenty-ninth Day of May, 2012

A handwritten signature in black ink that reads "David J. Kappos". The signature is written in a cursive, slightly slanted style.

David J. Kappos
Director of the United States Patent and Trademark Office