



US00D655929S

(12) **United States Design Patent**
Frenkler et al.

(10) **Patent No.:** **US D655,929 S**
(45) **Date of Patent:** **** Mar. 20, 2012**

(54) **MEDICAL/DENTAL CHAIR**

(75) Inventors: **Fritz Frenkler**, Munich (DE); **Anette Ponholzer**, Munich (DE); **Hiroshi Kaneko**, Munich (DE)

(73) Assignee: **Kabushiki Kaisha Morita Seisakusho**, Kyoto-shi, Kyoto (JP)

(**) Term: **14 Years**

(21) Appl. No.: **29/371,427**

(22) Filed: **Feb. 23, 2011**

(30) **Foreign Application Priority Data**

Aug. 23, 2010 (JP) 2010-020298

(51) **LOC (9) Cl.** **06-01**

(52) **U.S. Cl.** **D6/367**

(58) **Field of Classification Search** D6/334-336,
D6/360, 361, 365, 367, 368, 379, 500-502;
297/316, 330, 391, 396, 344.15, 344.16,
297/344.17, 423.1; 601/49, 86, 98, 99; D24/178,
D24/183

See application file for complete search history.

(56) **References Cited**

U.S. PATENT DOCUMENTS

3,172,699 A * 3/1965 Naughton 297/330
3,729,227 A * 4/1973 Ohta 297/391

D268,149 S * 3/1983 Case D6/361
5,267,778 A * 12/1993 Krebs et al. 297/330
D347,946 S * 6/1994 Nordstrom et al. D6/367
D384,154 S * 9/1997 Malmén et al. D24/178
D420,225 S * 2/2000 Lamb et al. D6/367
D462,189 S * 9/2002 Brockway et al. D6/367
D525,443 S * 7/2006 Takahashi D6/367
D595,412 S * 6/2009 Malmén et al. D24/178
D595,972 S * 7/2009 Broering et al. D6/367
8,025,336 B2 * 9/2011 Hanus 297/344.16

* cited by examiner

Primary Examiner — Mimosá De

(74) *Attorney, Agent, or Firm* — Jacobson Holman PLLC

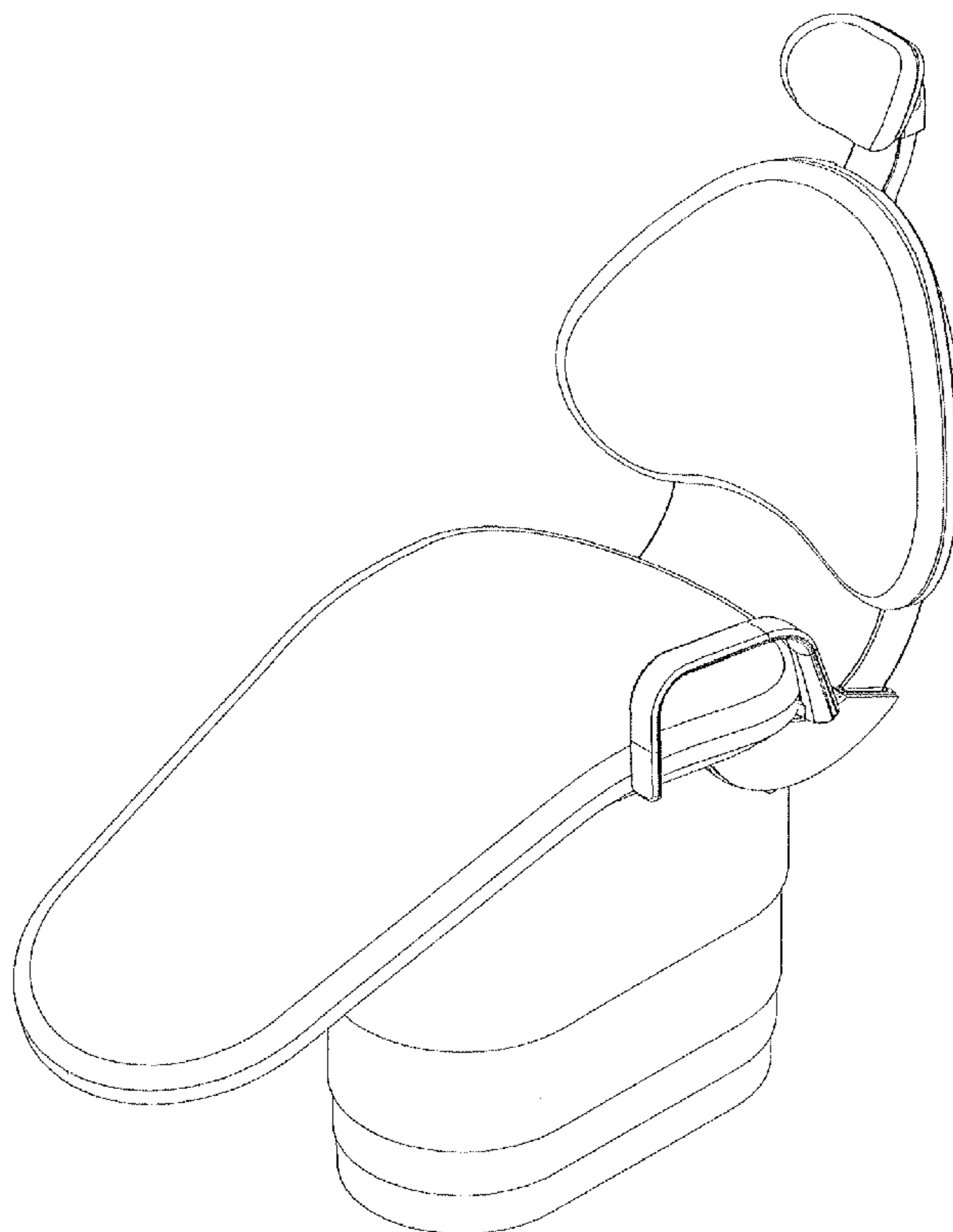
(57) **CLAIM**

The ornamental design for a medical/dental chair, as shown and described.

DESCRIPTION

FIG. 1 is a perspective view showing our new design for a medical/dental chair,
FIG. 2 is a left side view thereof,
FIG. 3 is a right side view thereof,
FIG. 4 is a front view thereof,
FIG. 5 is a rear view thereof,
FIG. 6 is a top view thereof,
FIG. 7 is a bottom view thereof; and,
FIG. 8 is another perspective view with alternate positioning of component parts.

1 Claim, 5 Drawing Sheets



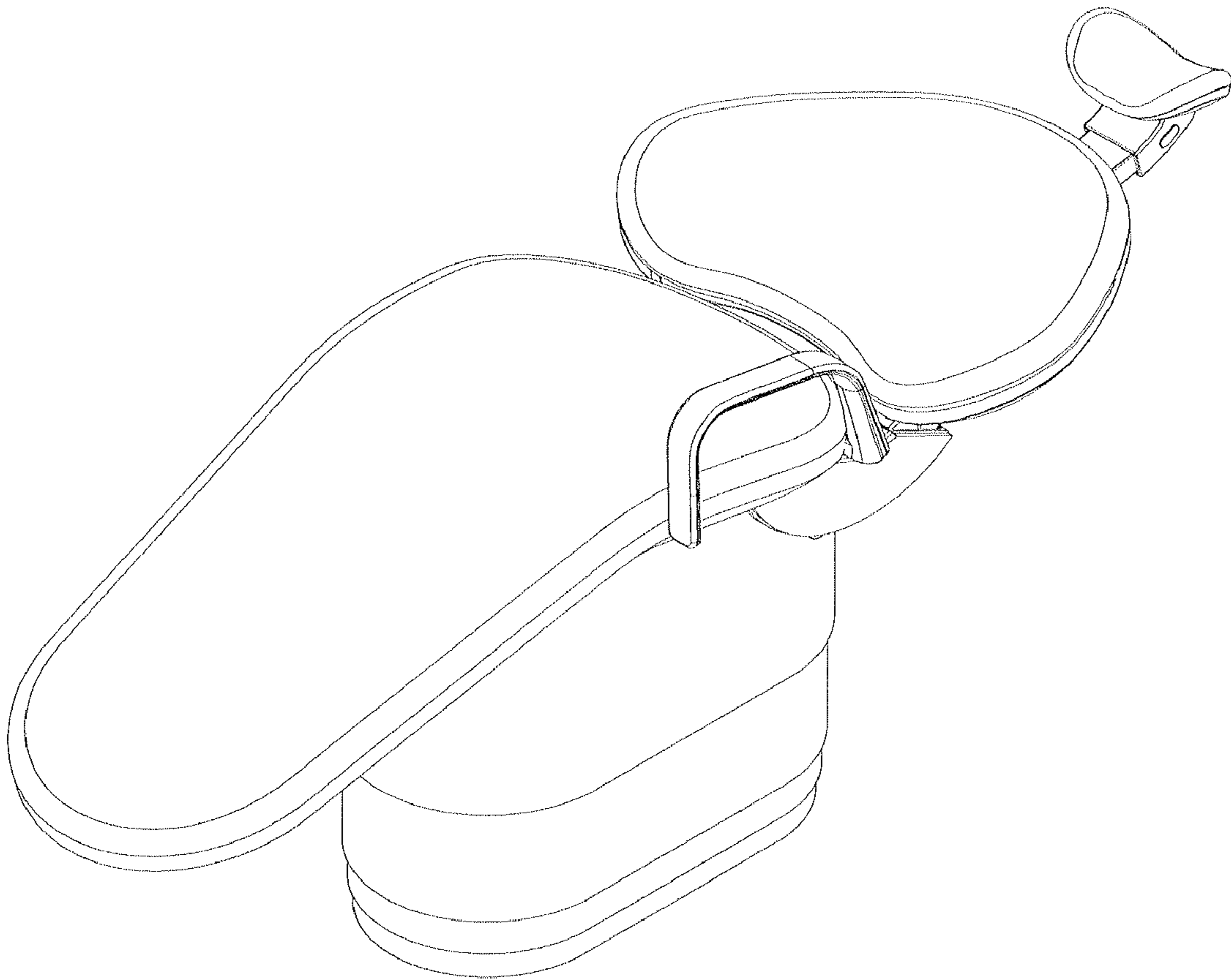


FIG. 1

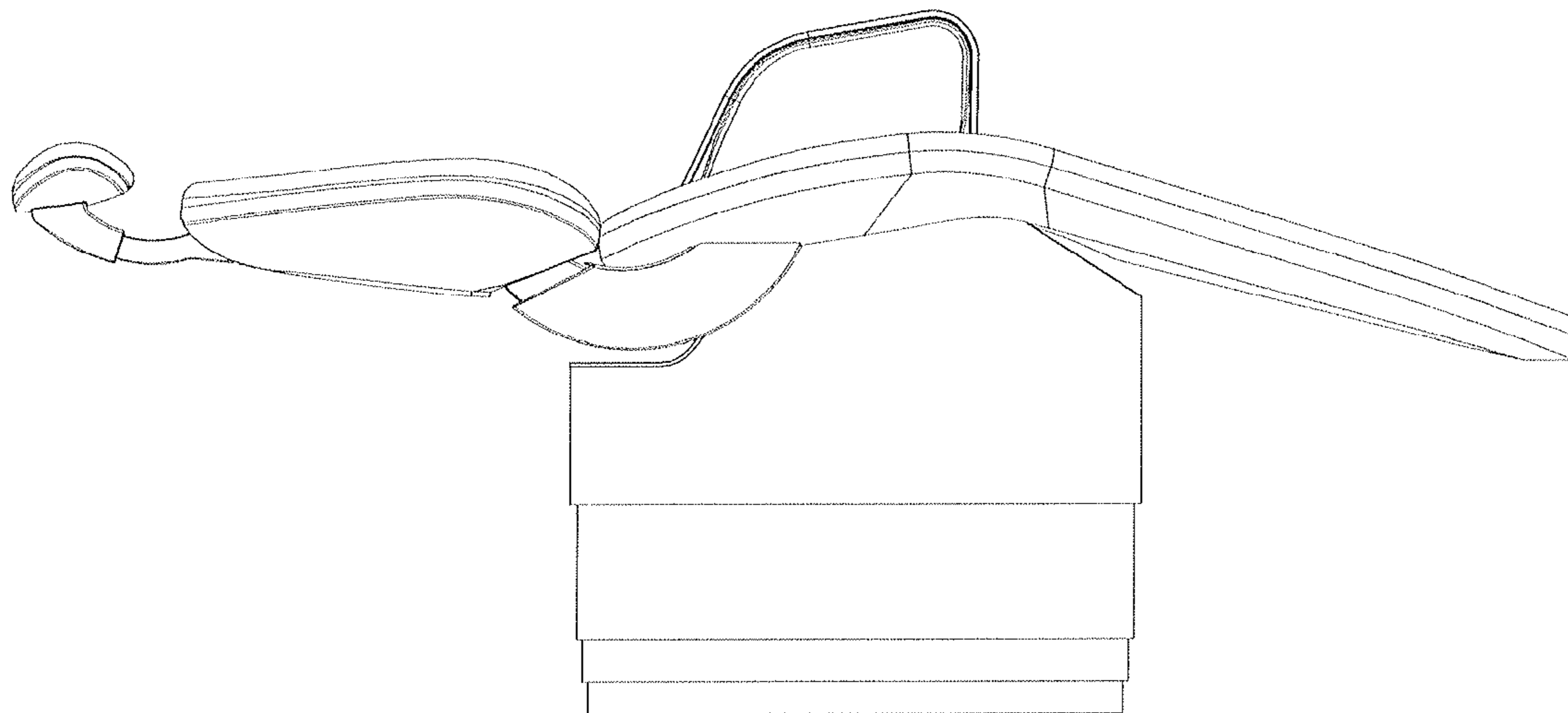


FIG. 2

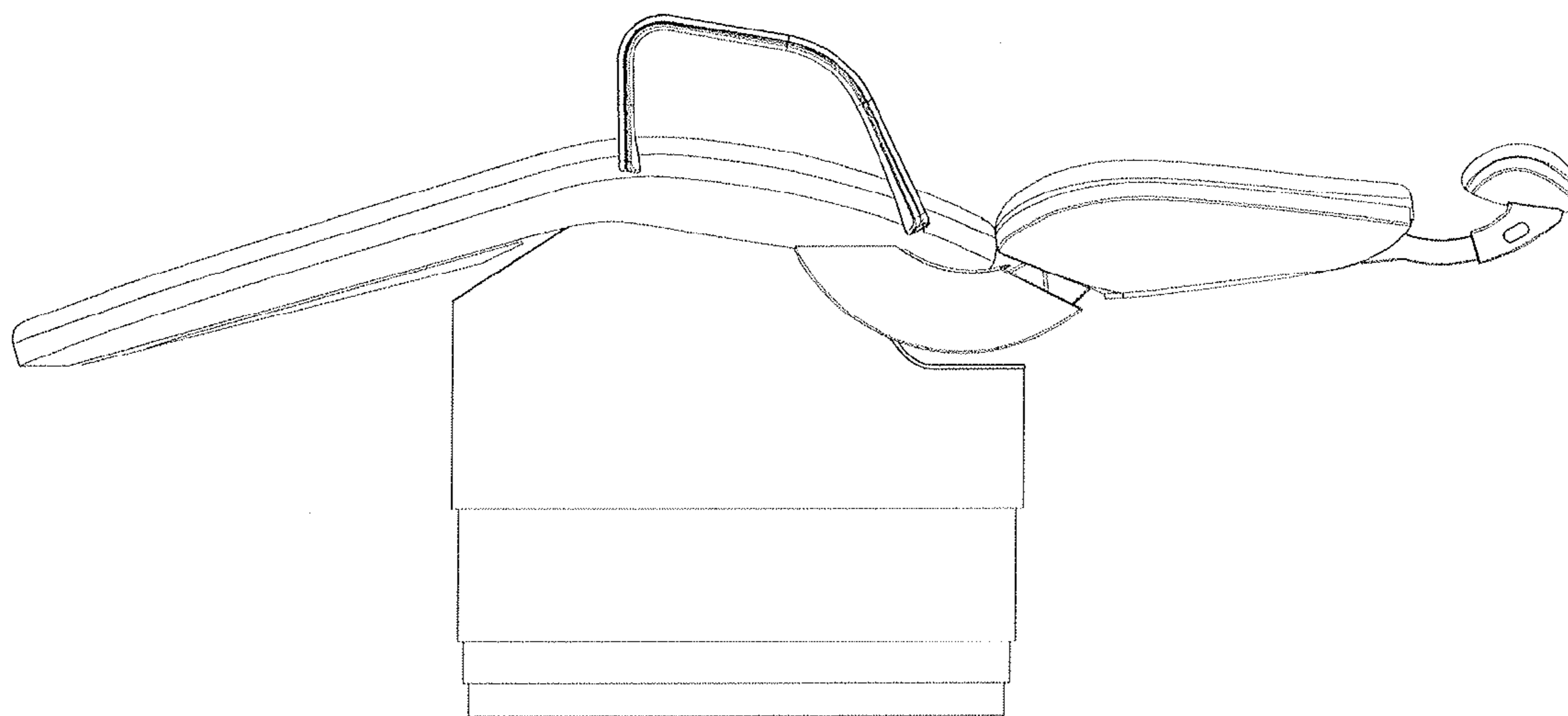


FIG. 3

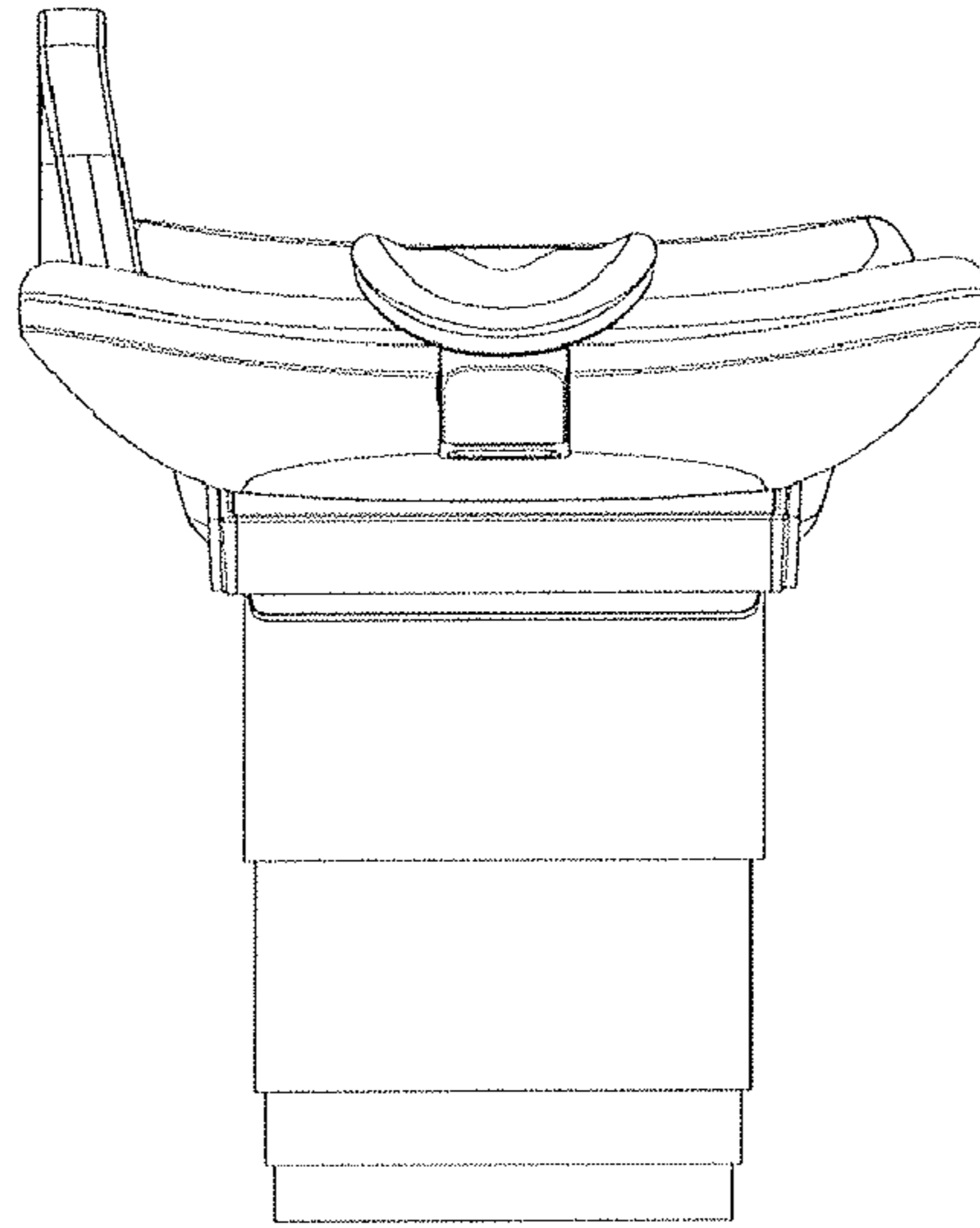


FIG. 4

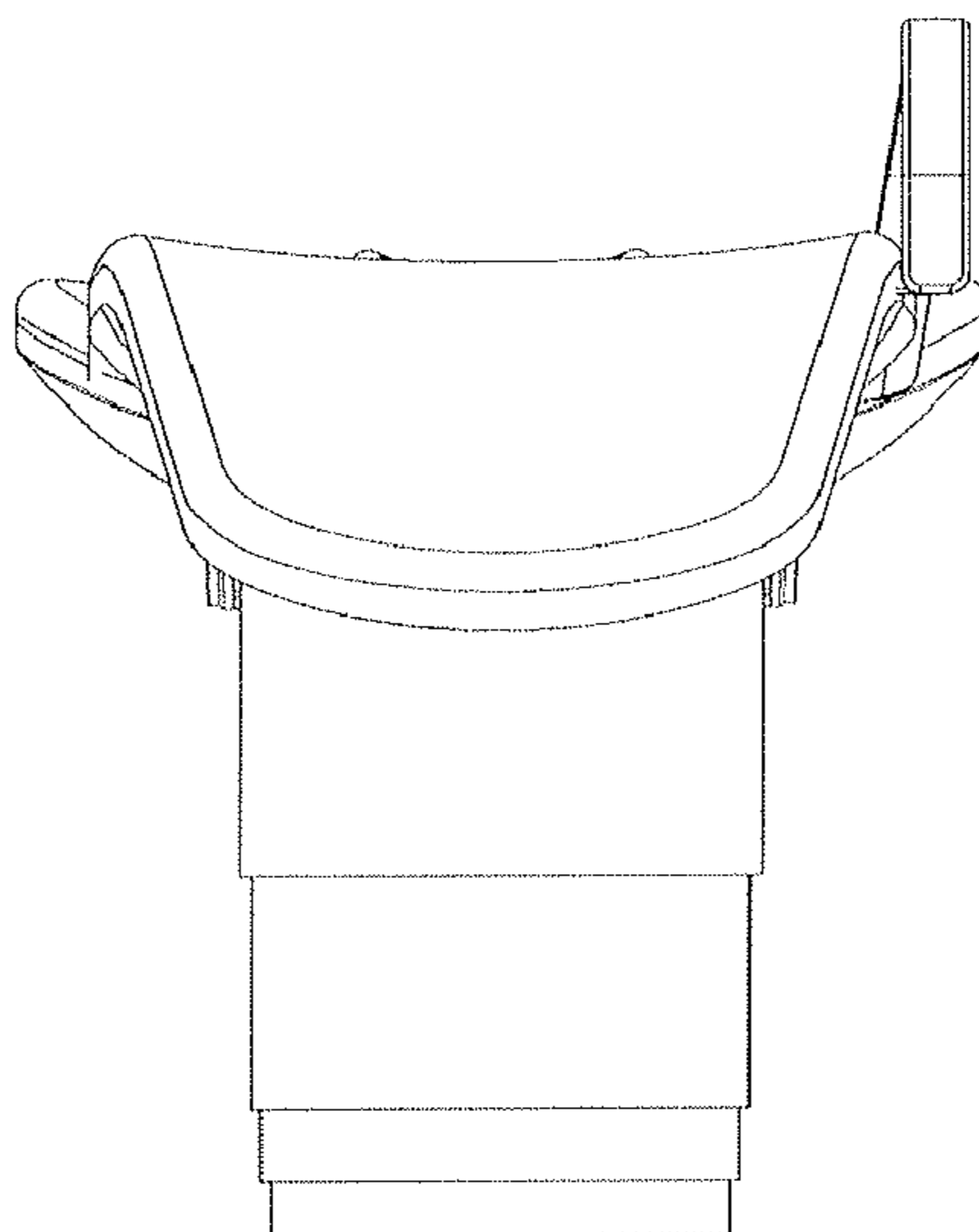


FIG. 5

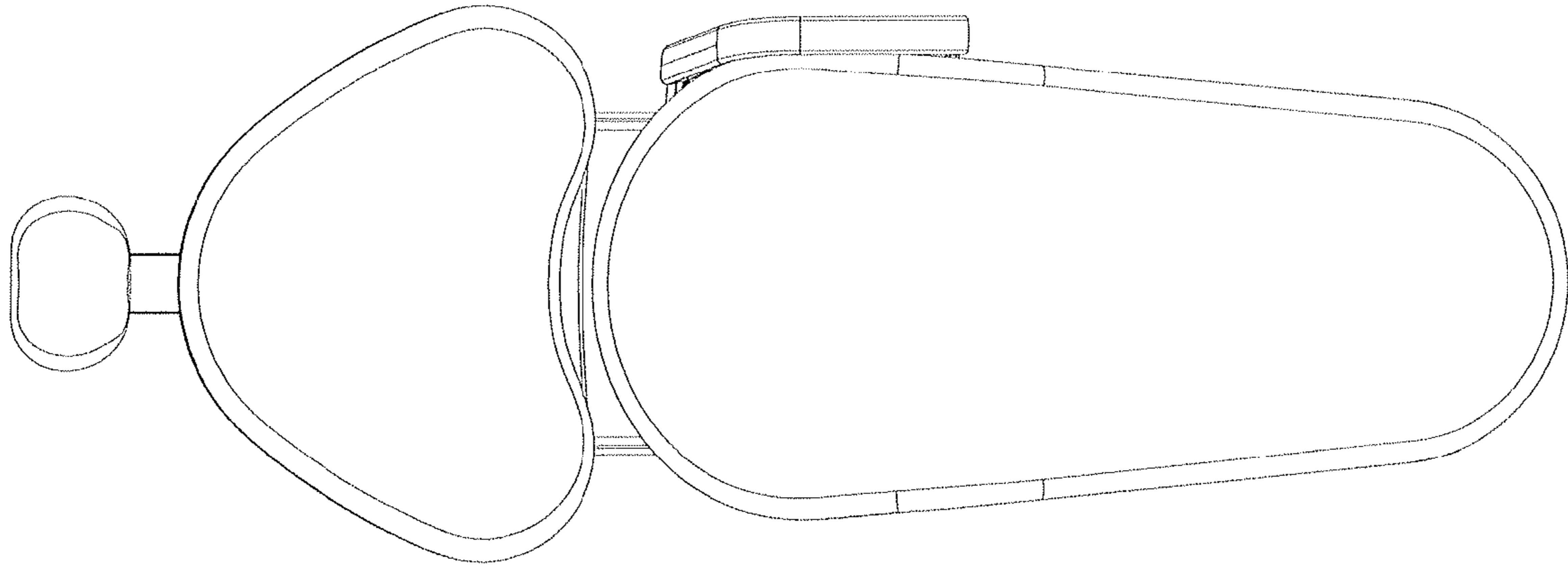


FIG. 6

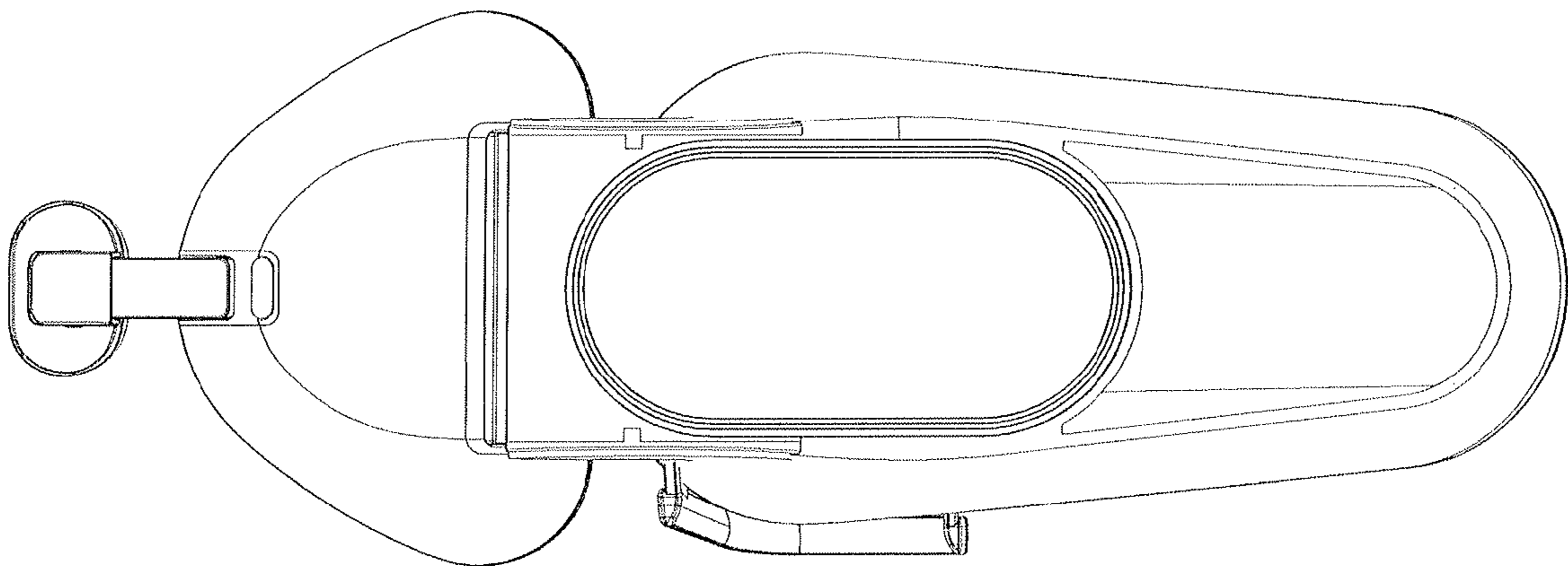


FIG. 7

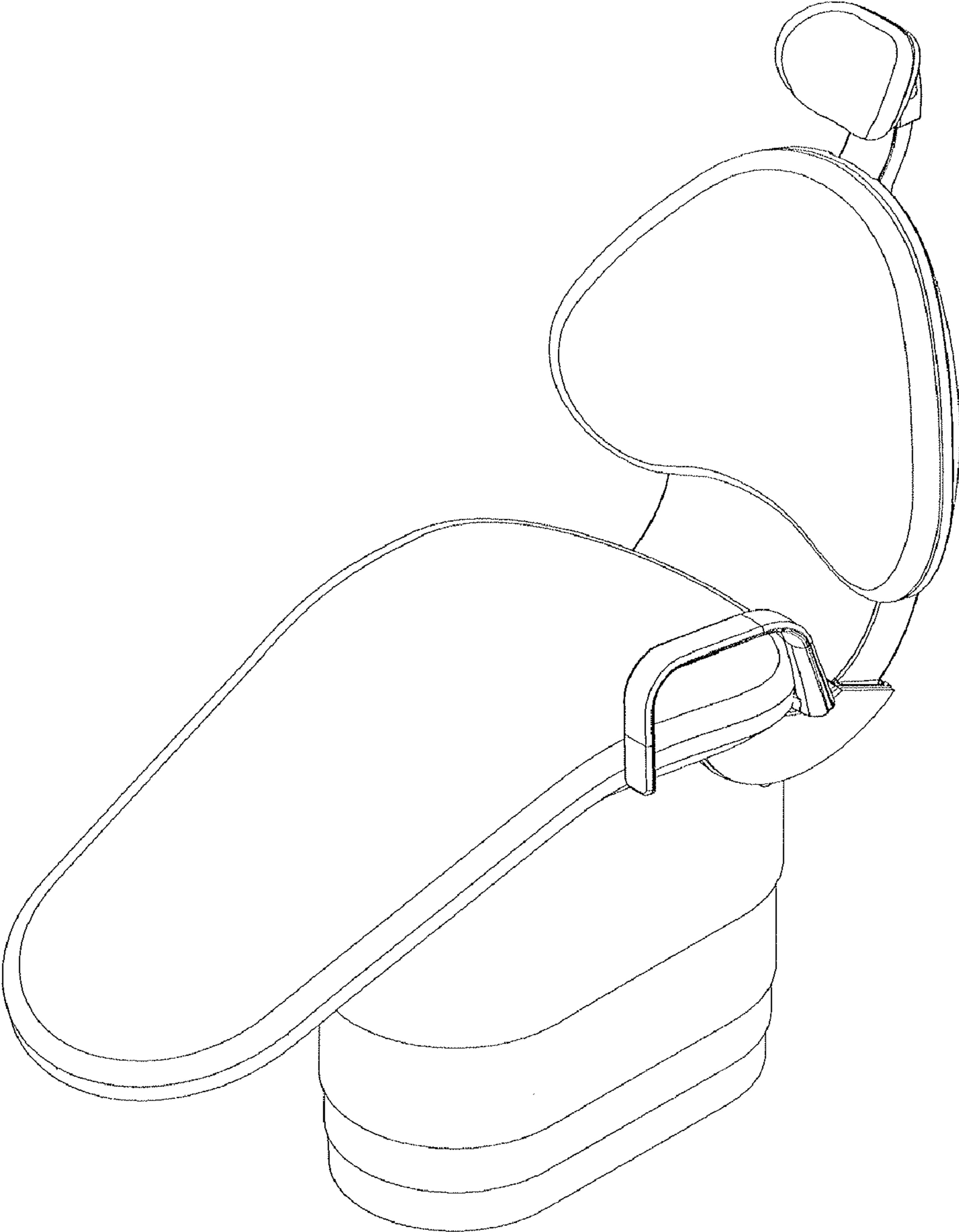


FIG. 8