



US00D655928S

(12) **United States Design Patent**  
**Ciocchini**

(10) **Patent No.:** **US D655,928 S**

(45) **Date of Patent:** **\*\* Mar. 20, 2012**

(54) **BENCH**

(75) Inventor: **Ignacio Juan Ciocchini**, Long Island City, NY (US)

(73) Assignee: **Chealsea Improvement Company, Inc.**, New York, NY (US)

(\*\*) Term: **14 Years**

(21) Appl. No.: **29/393,414**

(22) Filed: **Jun. 3, 2011**

**Related U.S. Application Data**

(63) Continuation-in-part of application No. 29/383,668, filed on Jan. 20, 2011.

(51) **LOC (9) Cl.** ..... **06-01**

(52) **U.S. Cl.** ..... **D6/355**

(58) **Field of Classification Search** ..... D6/334-336, D6/349, 353, 355, 369, 370, 374, 375, 376, D6/379, 380, 381, 499, 500-502; 297/232, 297/423.1, 423.39, 440.12, 445.1, 446.1, 297/447.4, 452.46, 461, 462

See application file for complete search history.

(56) **References Cited**

**U.S. PATENT DOCUMENTS**

D345,469 S \* 3/1994 Wirth ..... D6/355  
D365,937 S \* 1/1996 Skalka ..... D6/349

D471,368 S \* 3/2003 Arnold et al. .... D6/349  
D512,229 S \* 12/2005 Reza-Hadden ..... D6/355  
D532,983 S \* 12/2006 McCurry ..... D6/349  
D536,184 S \* 2/2007 Skalka ..... D6/349  
D582,169 S \* 12/2008 Skalka ..... D6/355  
D583,160 S \* 12/2008 Balsley ..... D6/355  
D586,144 S \* 2/2009 Skalka ..... D6/349

\* cited by examiner

*Primary Examiner* — Brian N Vinson

(74) *Attorney, Agent, or Firm* — Stroock & Stroock & Lavan LLP

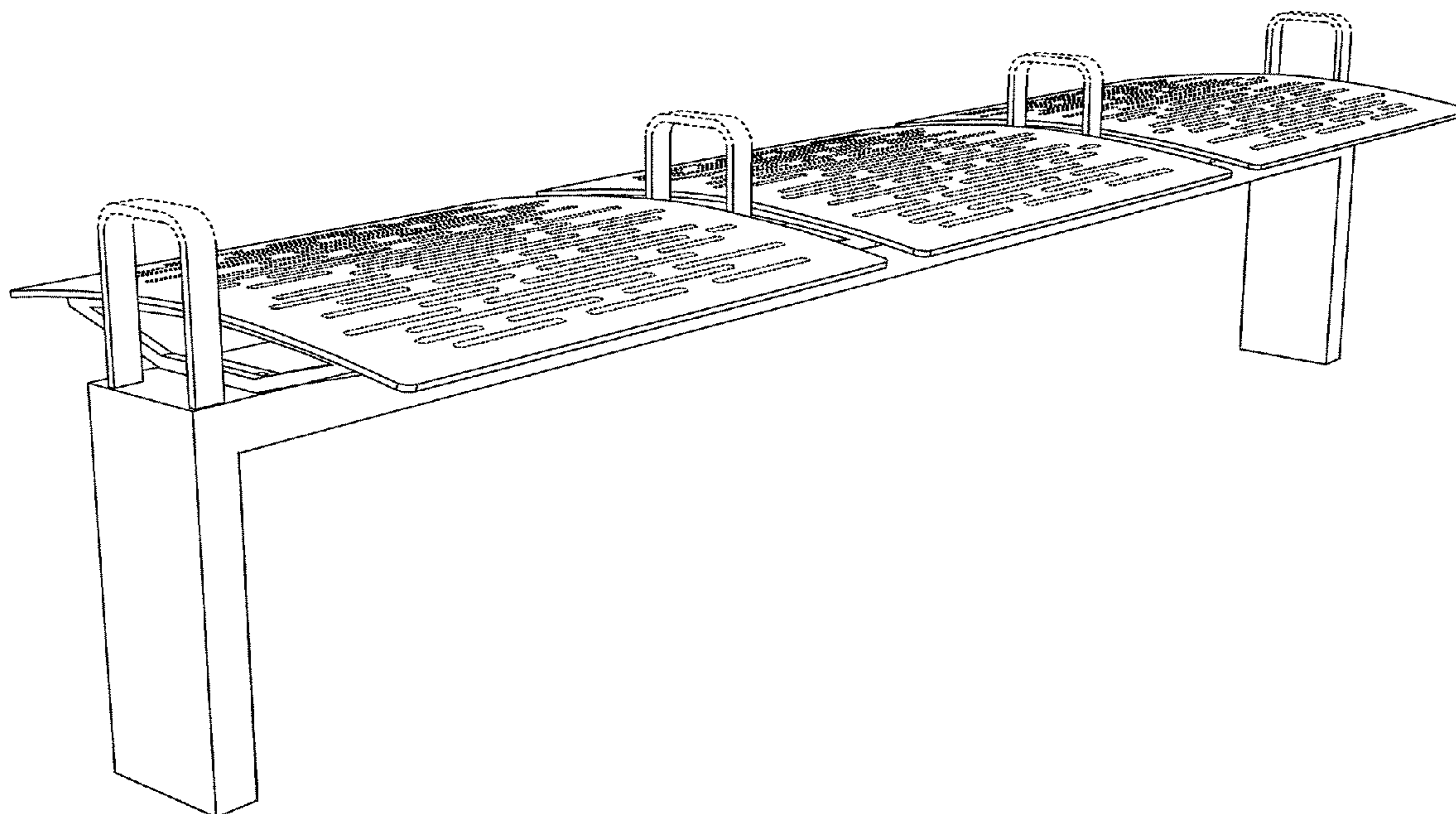
(57) **CLAIM**

The ornamental design for a bench, as shown and described.

**DESCRIPTION**

FIG. 1 is a top view of a bench showing my new design; FIG. 2 is a front elevational view thereof; FIG. 3 is a bottom plan view thereof; FIG. 4 is a rear elevational view thereof; FIG. 5 is a side elevational view thereof; FIG. 6 is a perspective view thereof; FIG. 7 is an additional top plan view thereof; FIG. 8 is an additional front elevational view thereof; FIG. 9 is an additional bottom plan view thereof; FIG. 10 is an additional rear elevational view thereof; and, FIG. 11 is an additional perspective view thereof. The broken-line disclosure in the views is understood to represent portions of the article in which the claimed design is embodied, but which form no part of the claimed design.

**1 Claim, 7 Drawing Sheets**



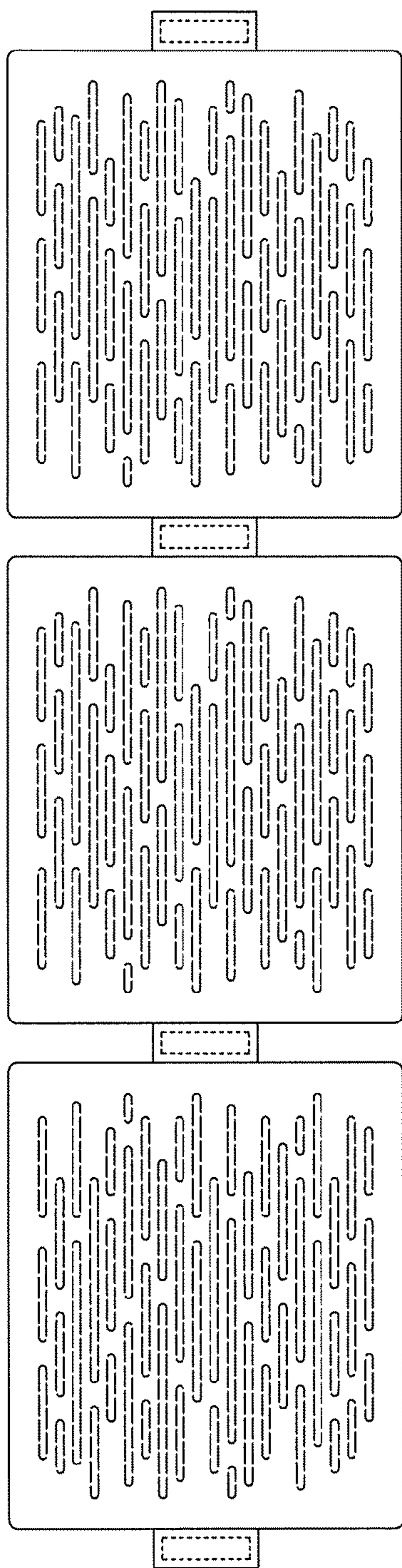


Fig. 1

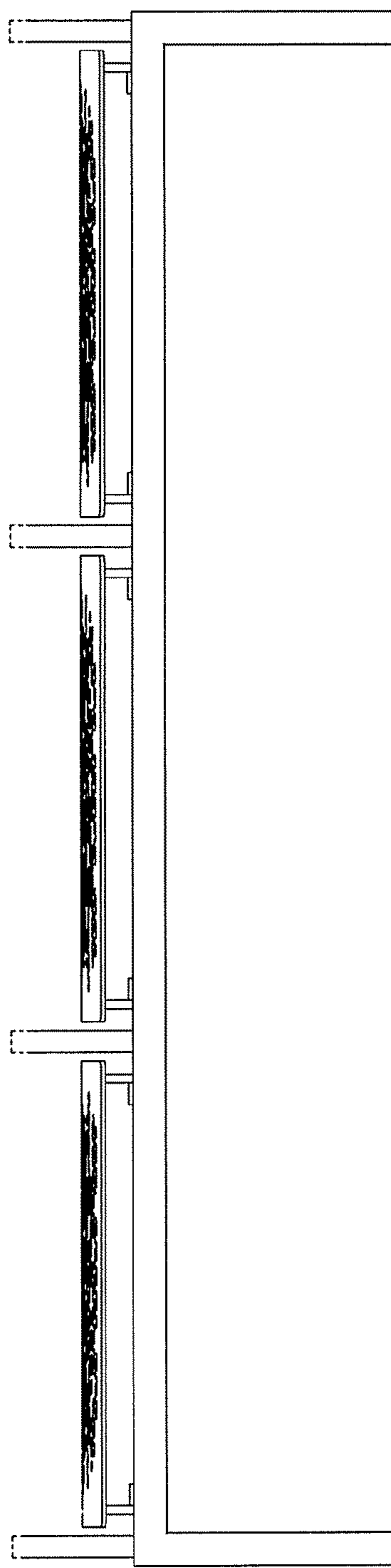


Fig. 2



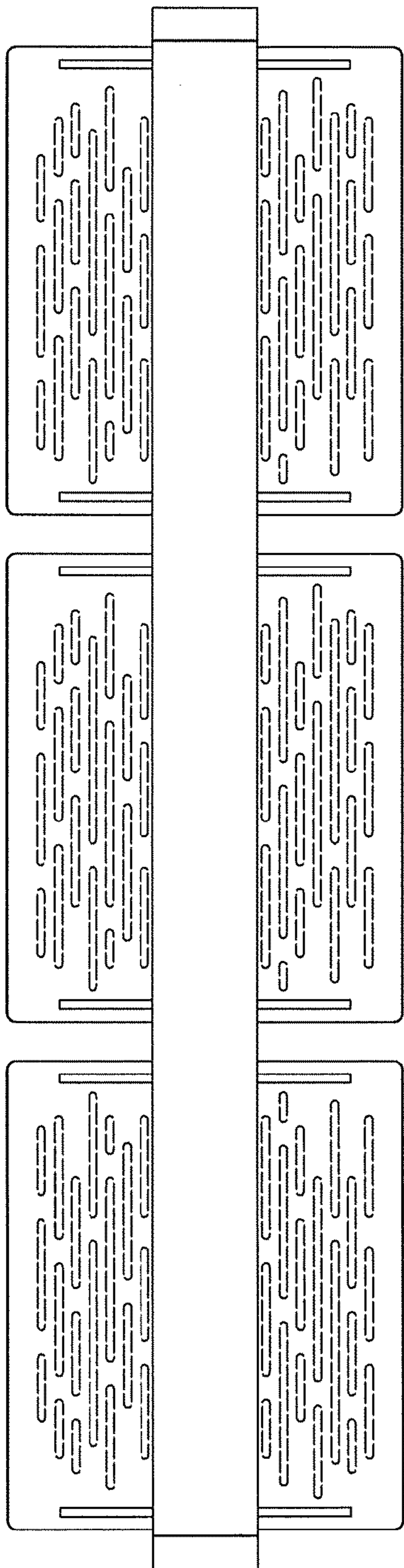


Fig. 3

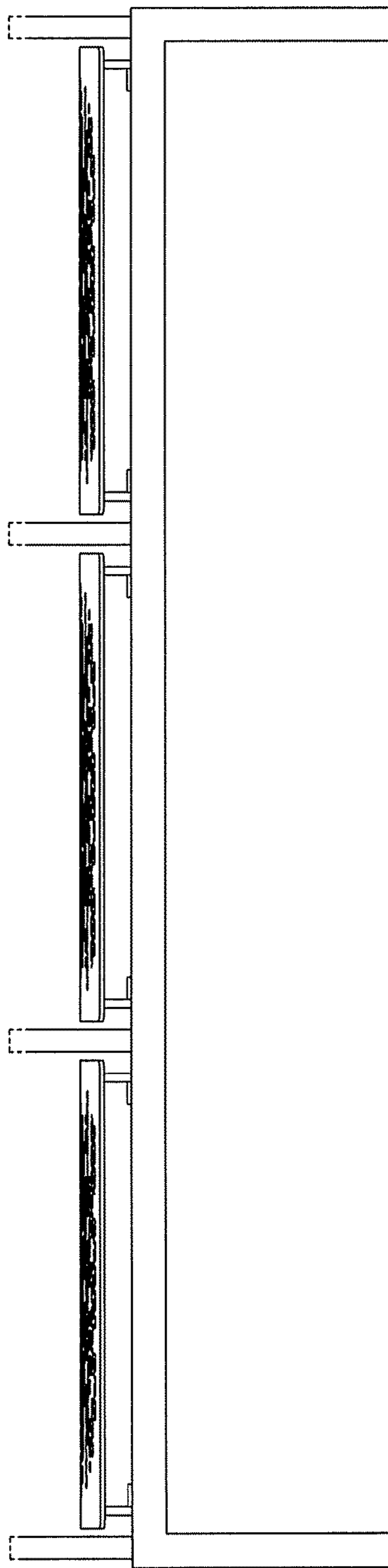


Fig. 4

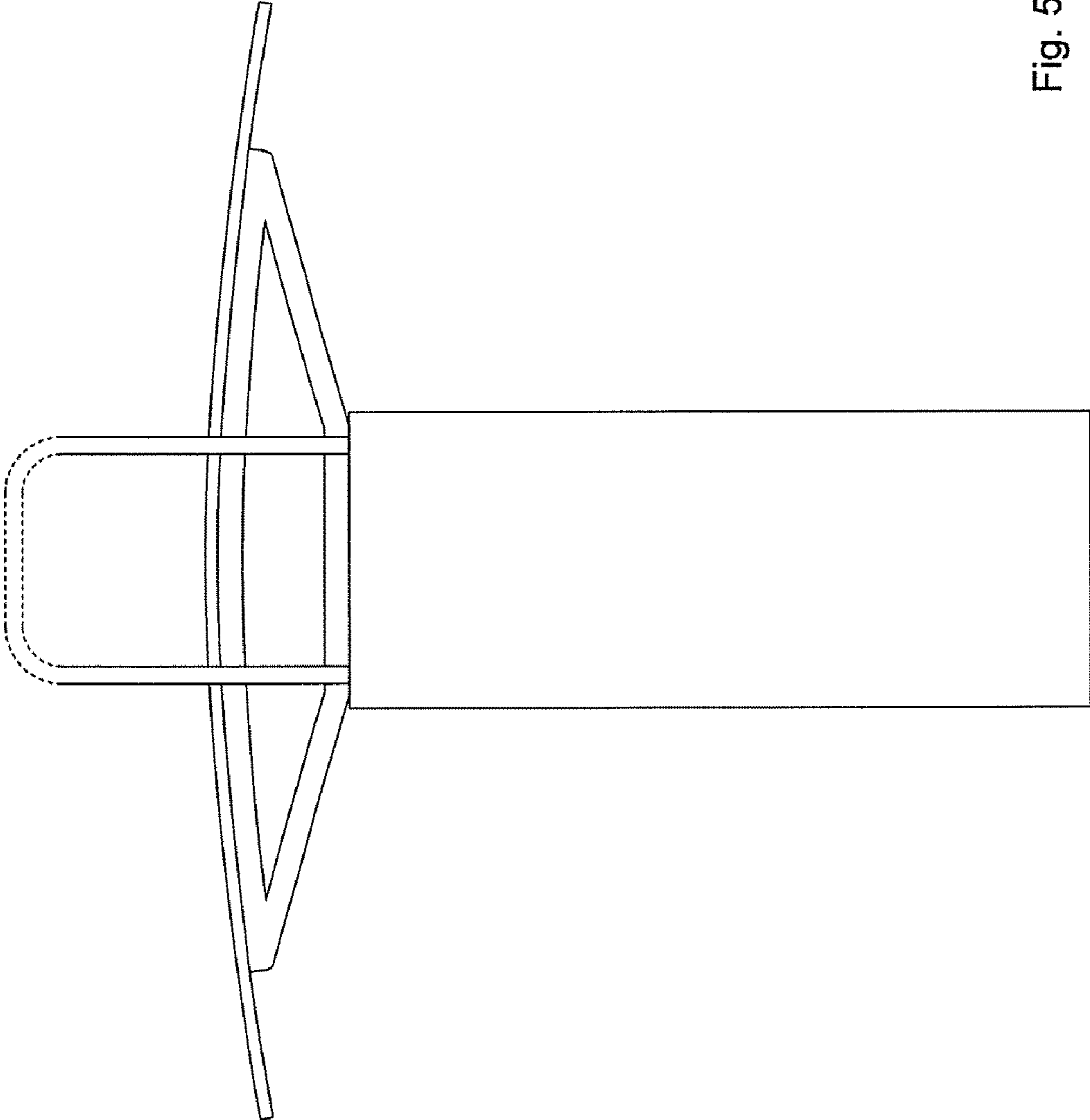


Fig. 5

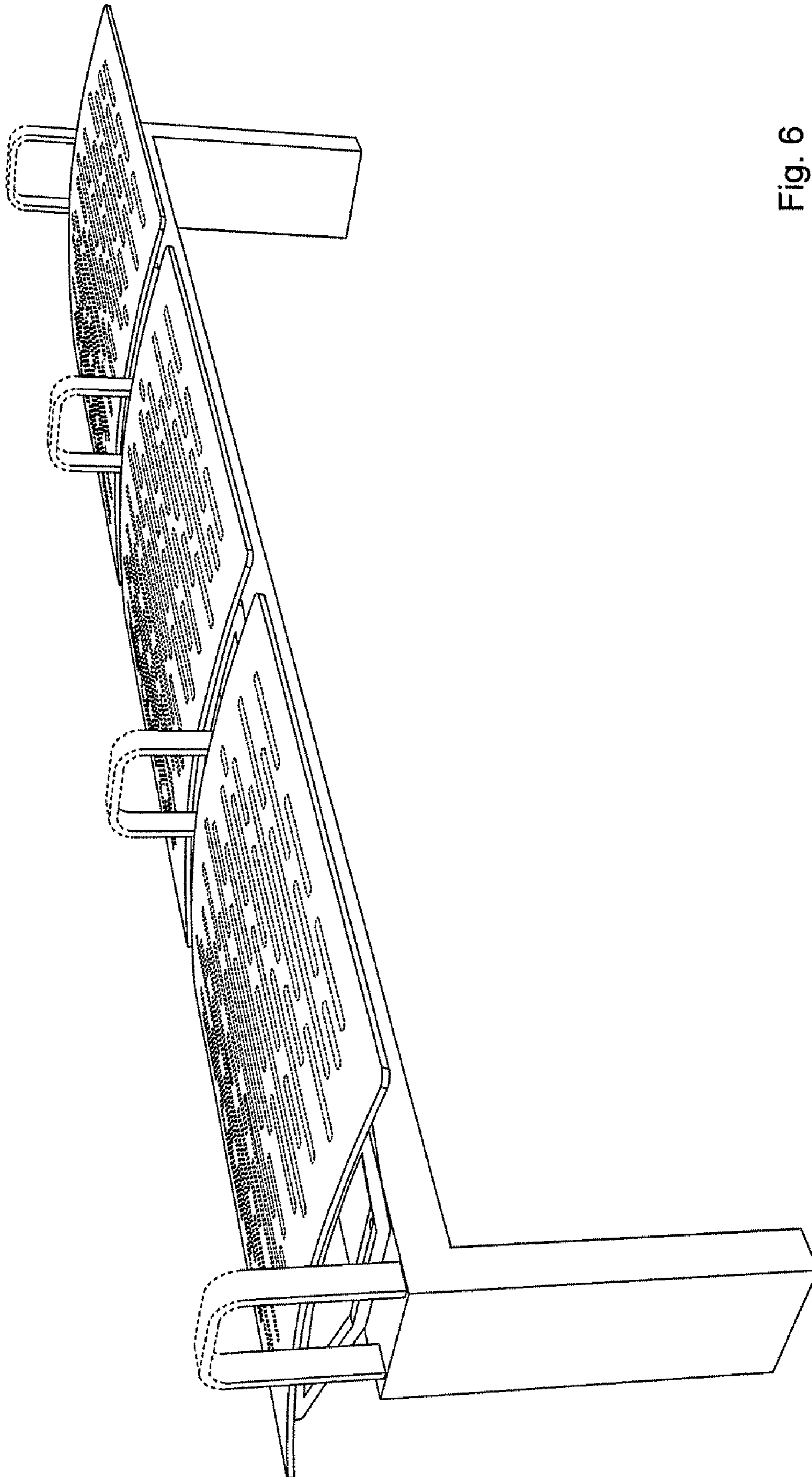


Fig. 6

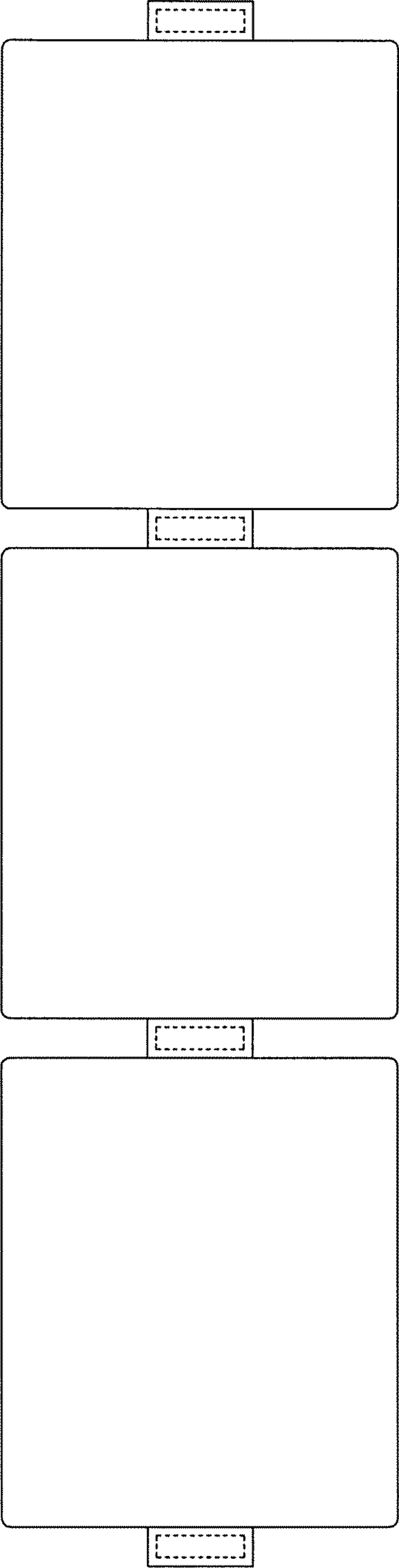


Fig. 7

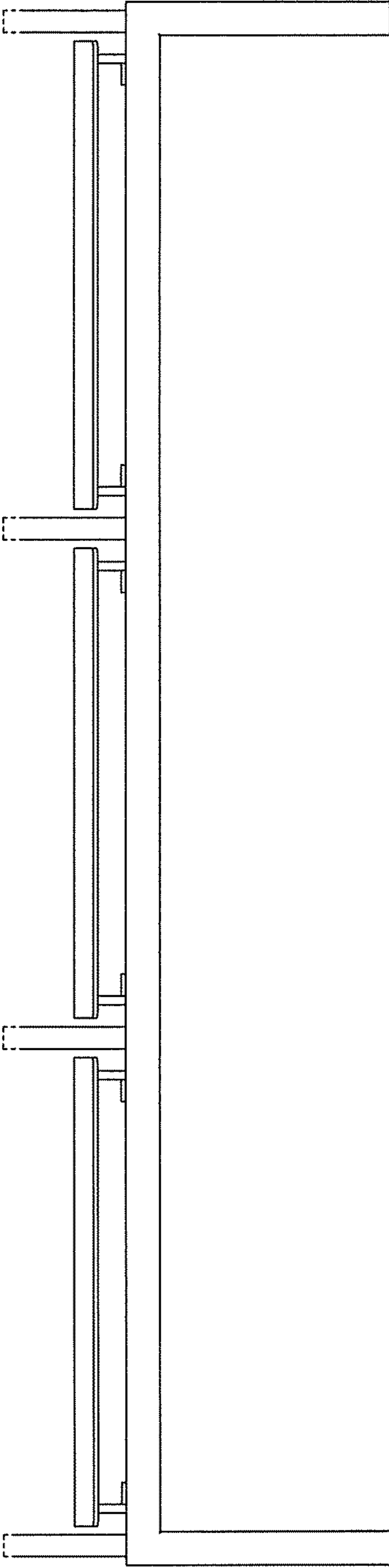


Fig. 8

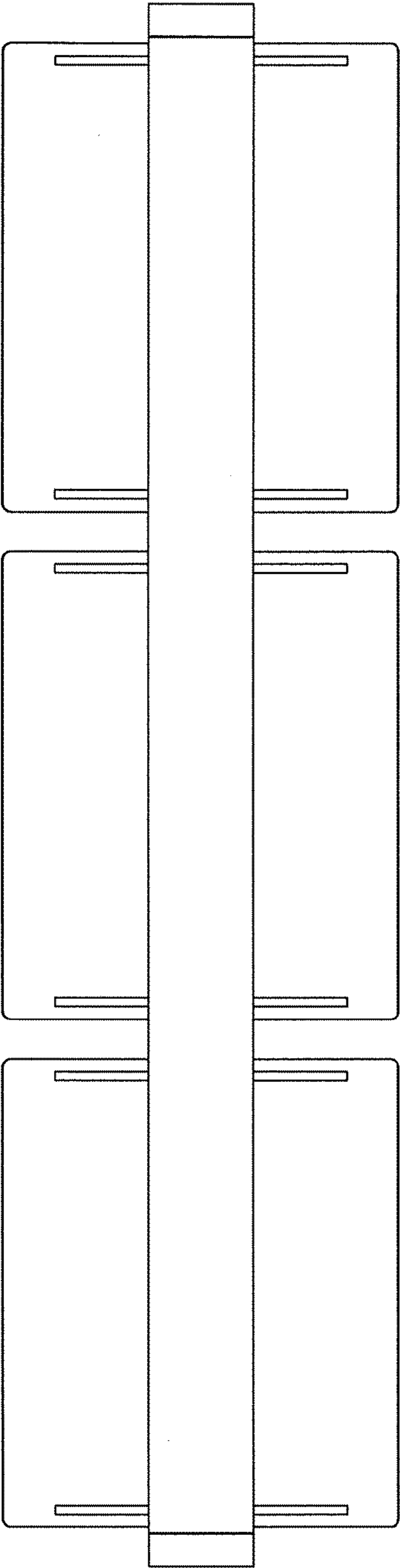


Fig. 9

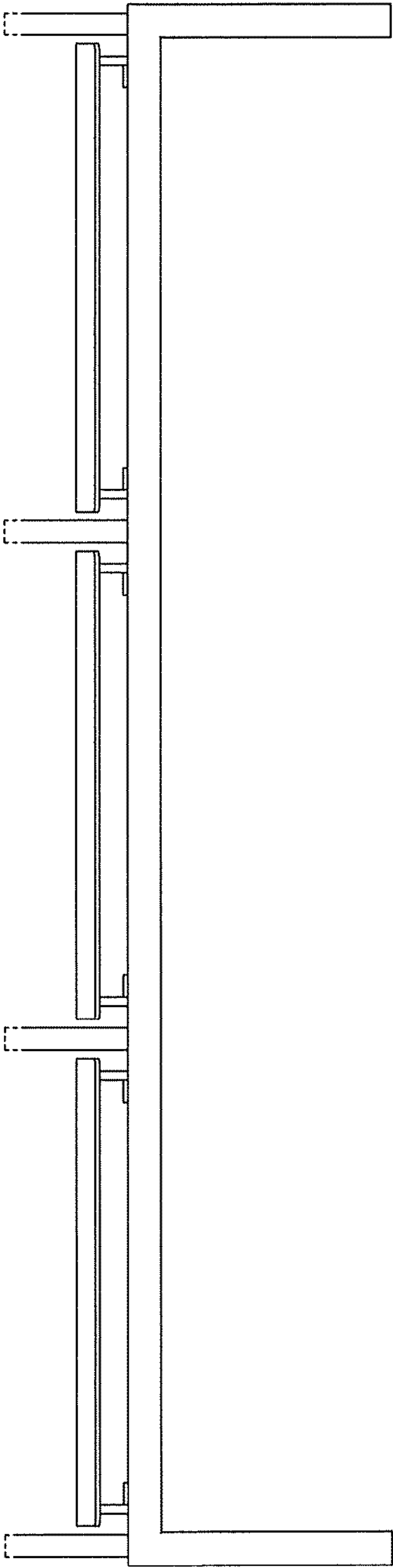


Fig. 10

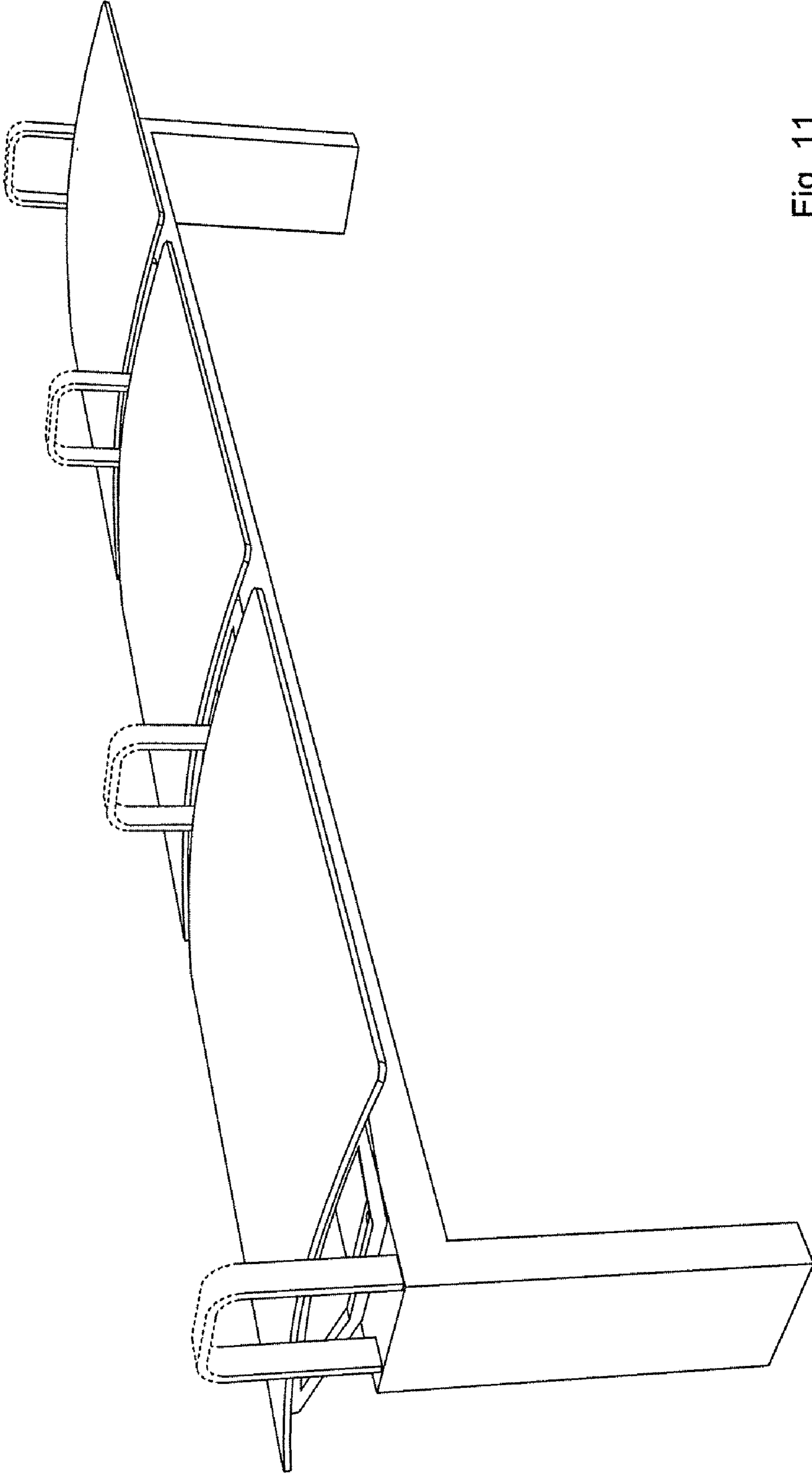


Fig. 11