



US00D655925S

(12) **United States Design Patent**
Hartenstine et al.

(10) **Patent No.:** **US D655,925 S**
(45) **Date of Patent:** **** Mar. 20, 2012**

(54) **CHILD SAFETY SEAT**

(75) Inventors: **Curtis M. Hartenstine**, Birdsboro, PA
(US); **Sharon A. Gillett**, Salem, OR
(US); **Robert E. Haut**, West Chester, PA
(US); **Michael H. Gillett**, Salem, OR
(US)

(73) Assignee: **Wonderland Nurserygoods Co., Ltd.**,
Taipei (TW)

(**) Term: **14 Years**

(21) Appl. No.: **29/335,341**

(22) Filed: **Apr. 14, 2009**

(51) **LOC (9) Cl.** **06-01**

(52) **U.S. Cl.** **D6/333**

(58) **Field of Classification Search** D6/333,
D6/339; 297/184.13, 184.17, 219.12, 250.1,
297/256.16, 463.1; D21/428; D12/129;
5/655

See application file for complete search history.

(56) **References Cited**

U.S. PATENT DOCUMENTS

D383,912 S * 9/1997 Meeker et al. D6/333
D487,640 S * 3/2004 Chen D6/333
D513,888 S * 1/2006 Jane Santamaria D6/333
D523,646 S * 6/2006 Fretschnner et al. D6/333

D534,362 S * 1/2007 Batchelor D6/333
D537,640 S * 3/2007 Spence et al. D6/333
D604,054 S * 11/2009 Biaud D6/333
D611,258 S * 3/2010 Karremans D6/333
D620,719 S * 8/2010 Li et al. D6/333
D629,218 S * 12/2010 Li D6/333
D629,220 S * 12/2010 Xu et al. D6/333
2008/0030054 A1 * 2/2008 Williams et al. 297/250.1
2008/0067843 A1 * 3/2008 Baloga et al. 297/220
2008/0116729 A1 * 5/2008 Mostert 297/250.1
2009/0091166 A1 * 4/2009 Jha 297/250.1

* cited by examiner

Primary Examiner — Sandra Snapp

(74) *Attorney, Agent, or Firm* — Pillsbury Winthrop Shaw
Pittman, LLP

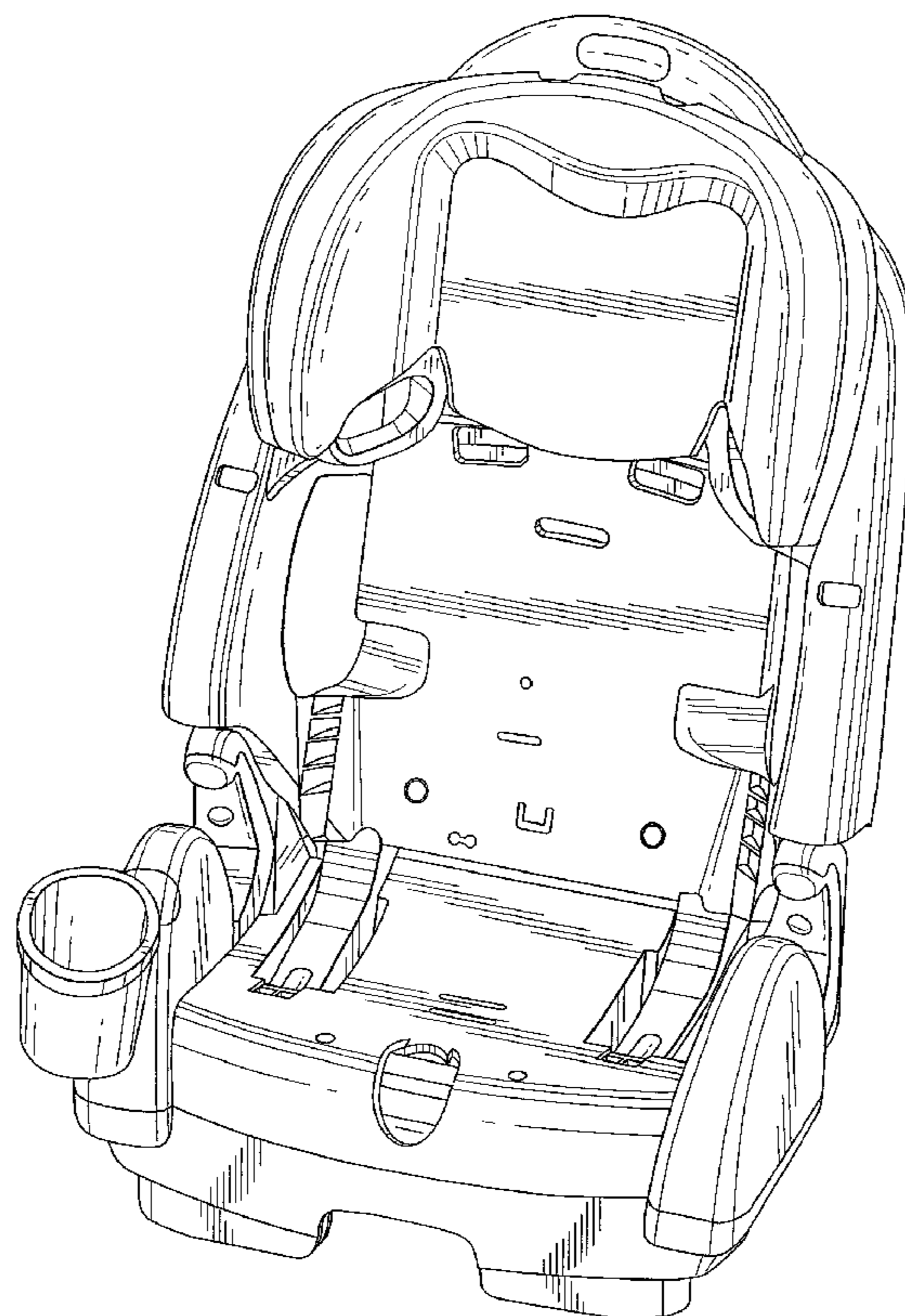
(57) **CLAIM**

The ornamental design for child safety seat, as shown and
described.

DESCRIPTION

FIG. 1 is a perspective view of child safety seat showing my
new design;
FIG. 2 is a front elevational view thereof;
FIG. 3 is a rear elevational view thereof;
FIG. 4 is a left side elevational view thereof;
FIG. 5 is a right side elevational view thereof;
FIG. 6 is a top plan view thereof; and,
FIG. 7 is a bottom plan view thereof.

1 Claim, 7 Drawing Sheets



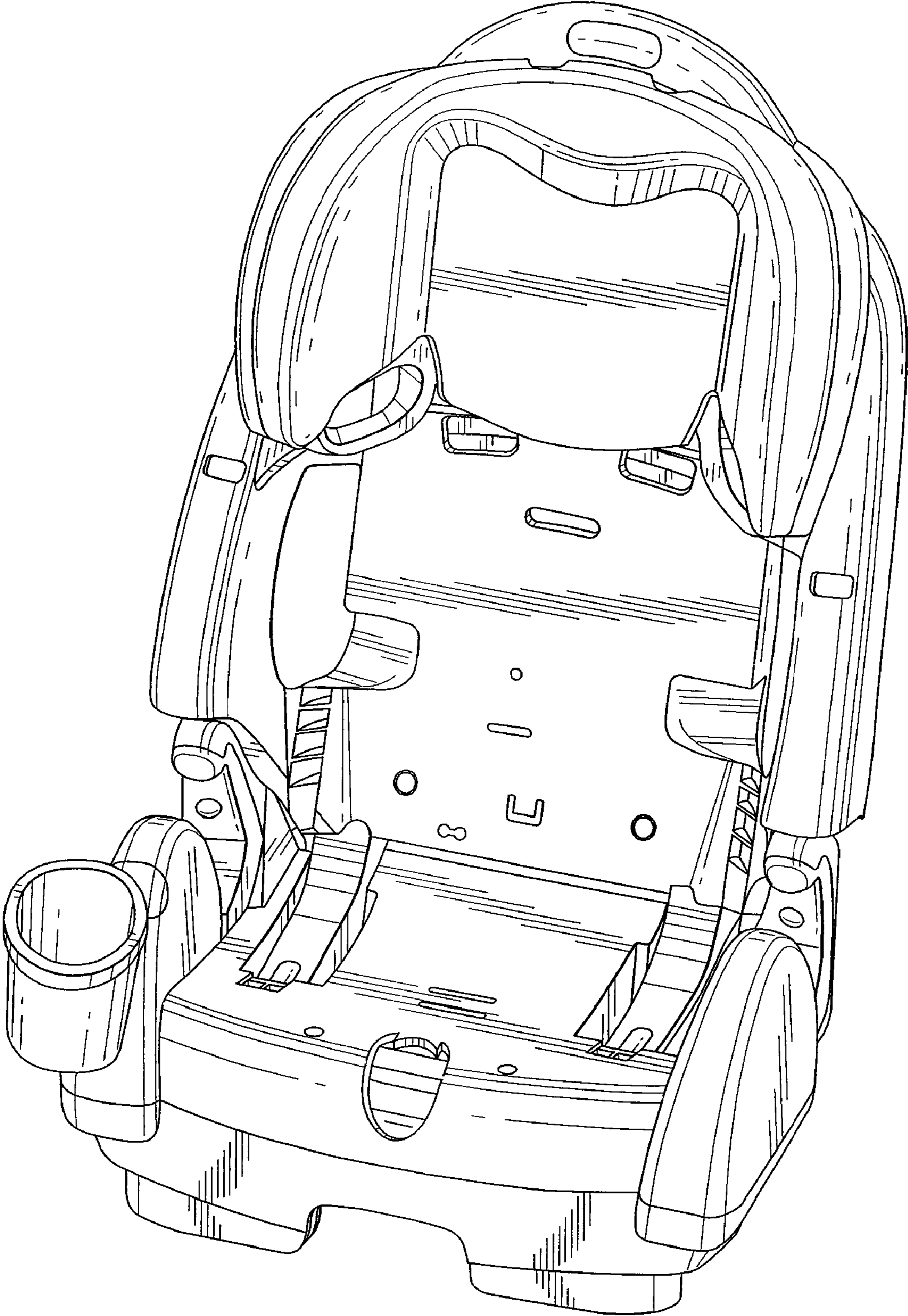


FIG. 1

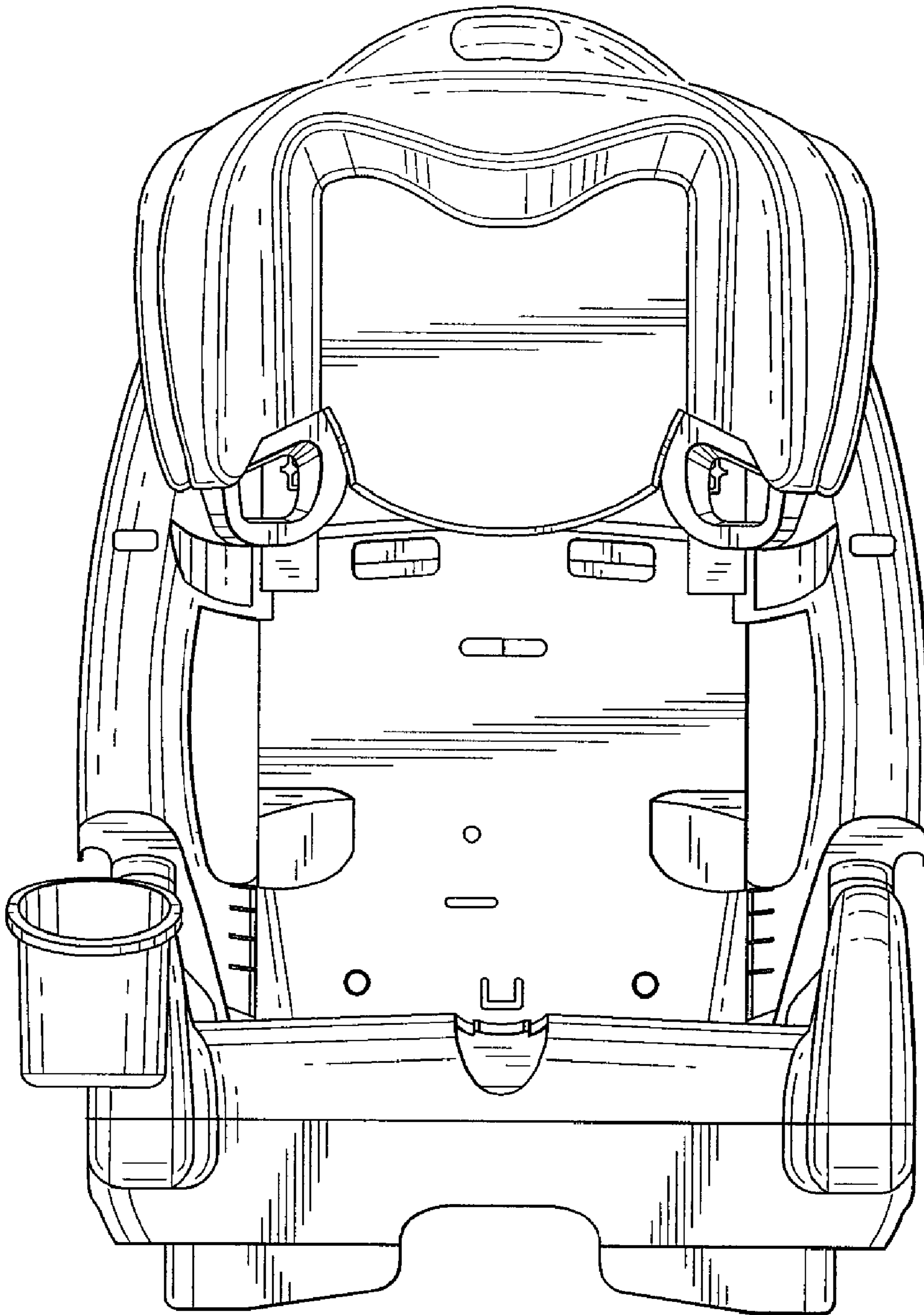


FIG. 2

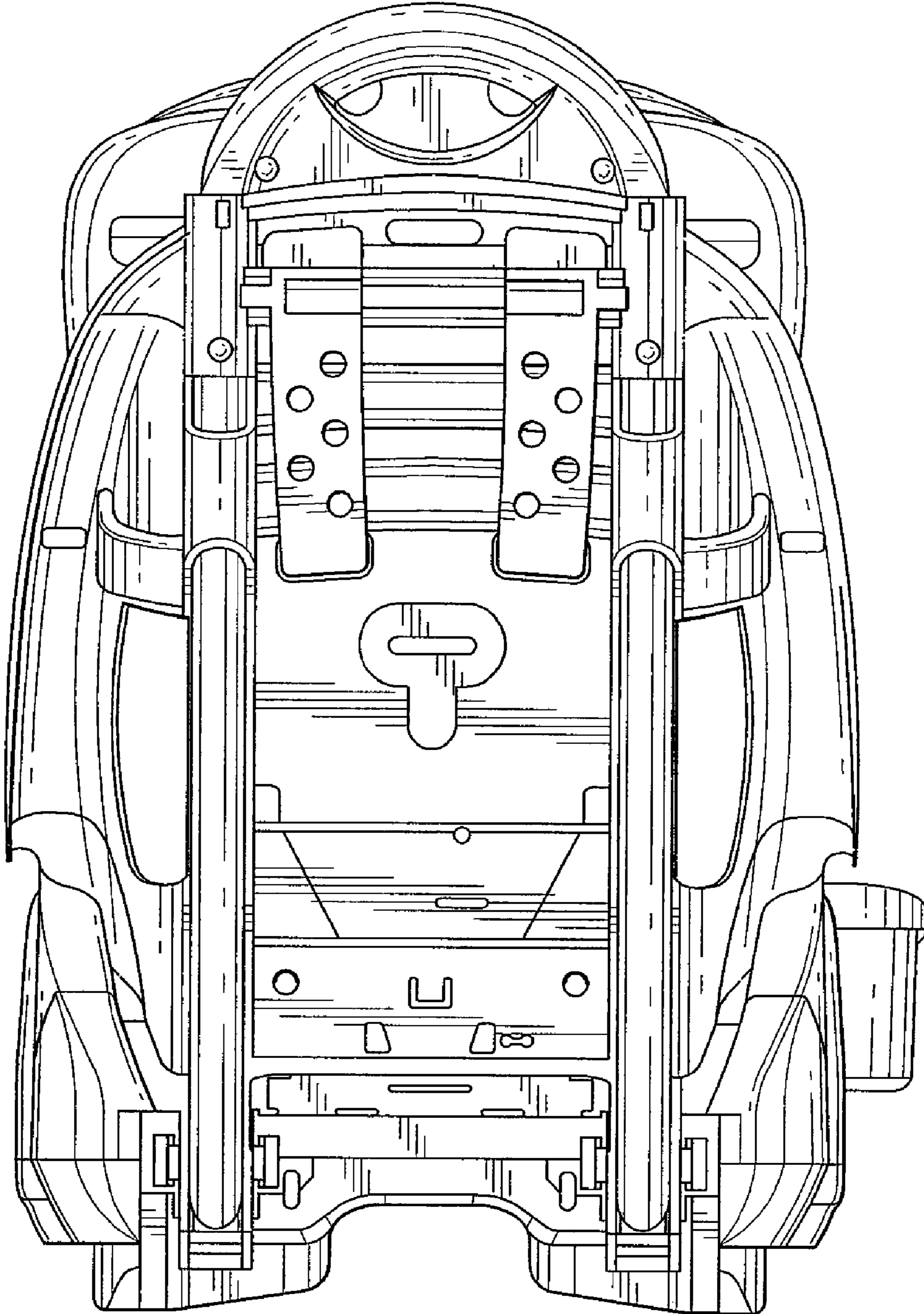


FIG. 3

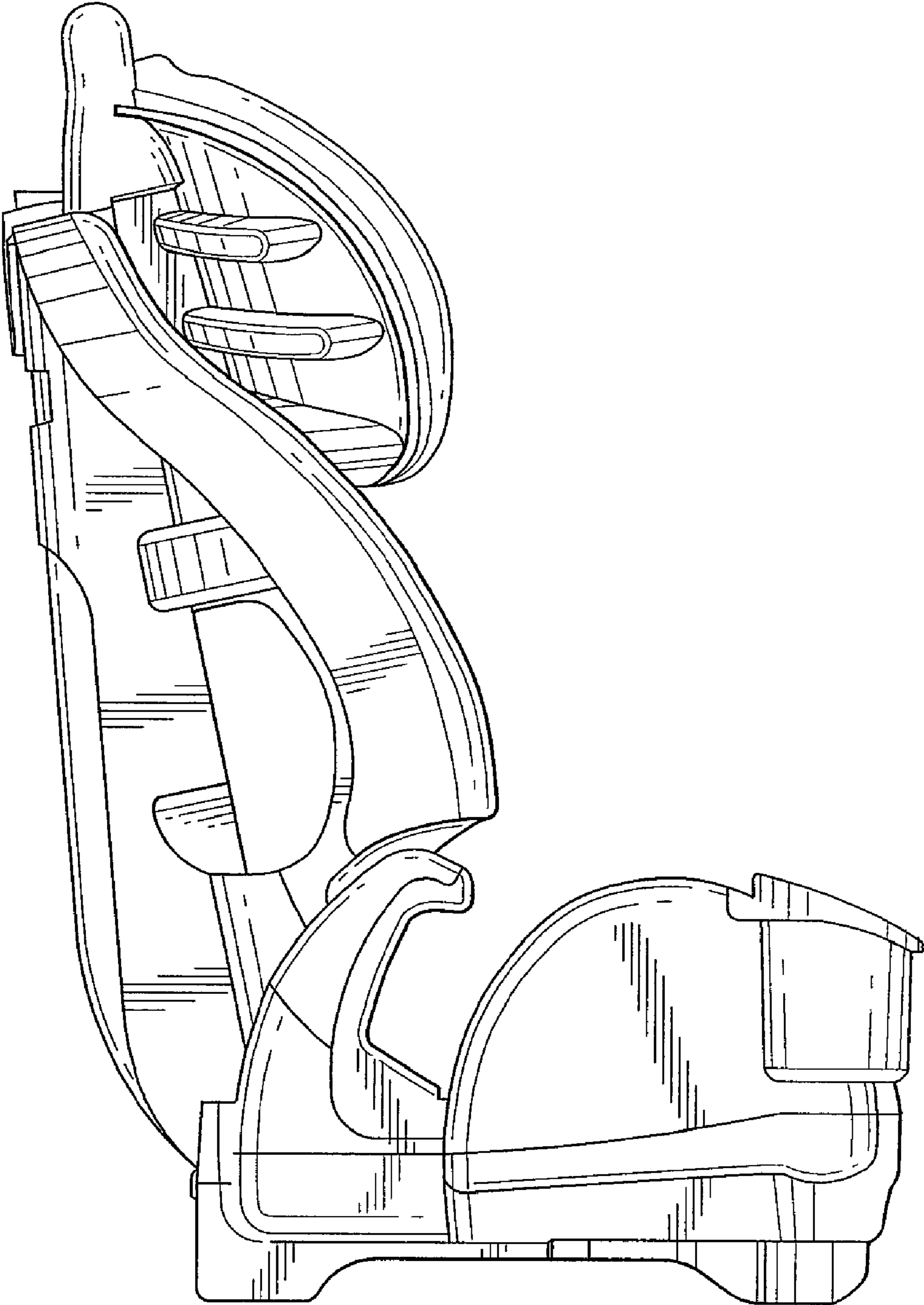


FIG. 4

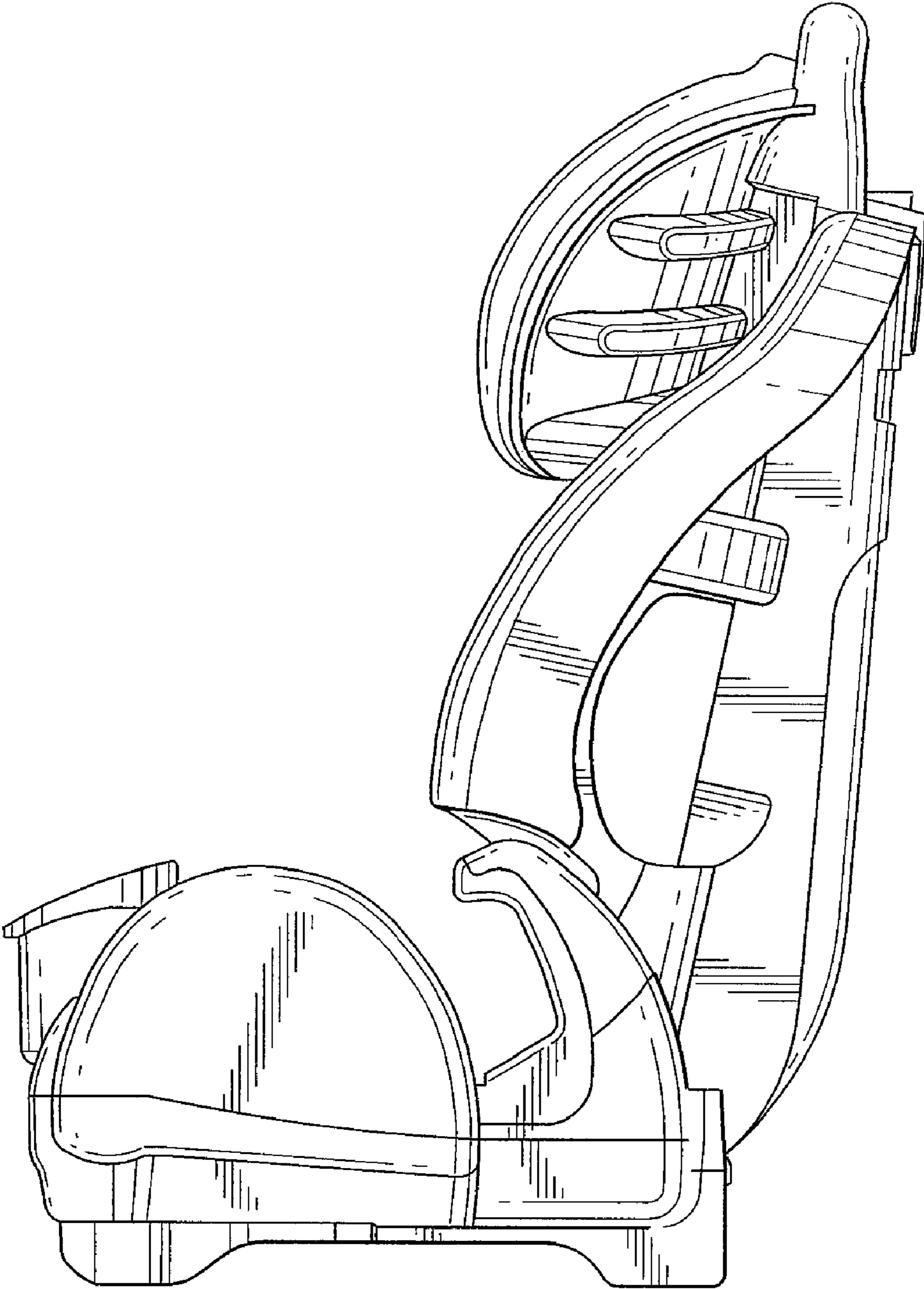


FIG. 5

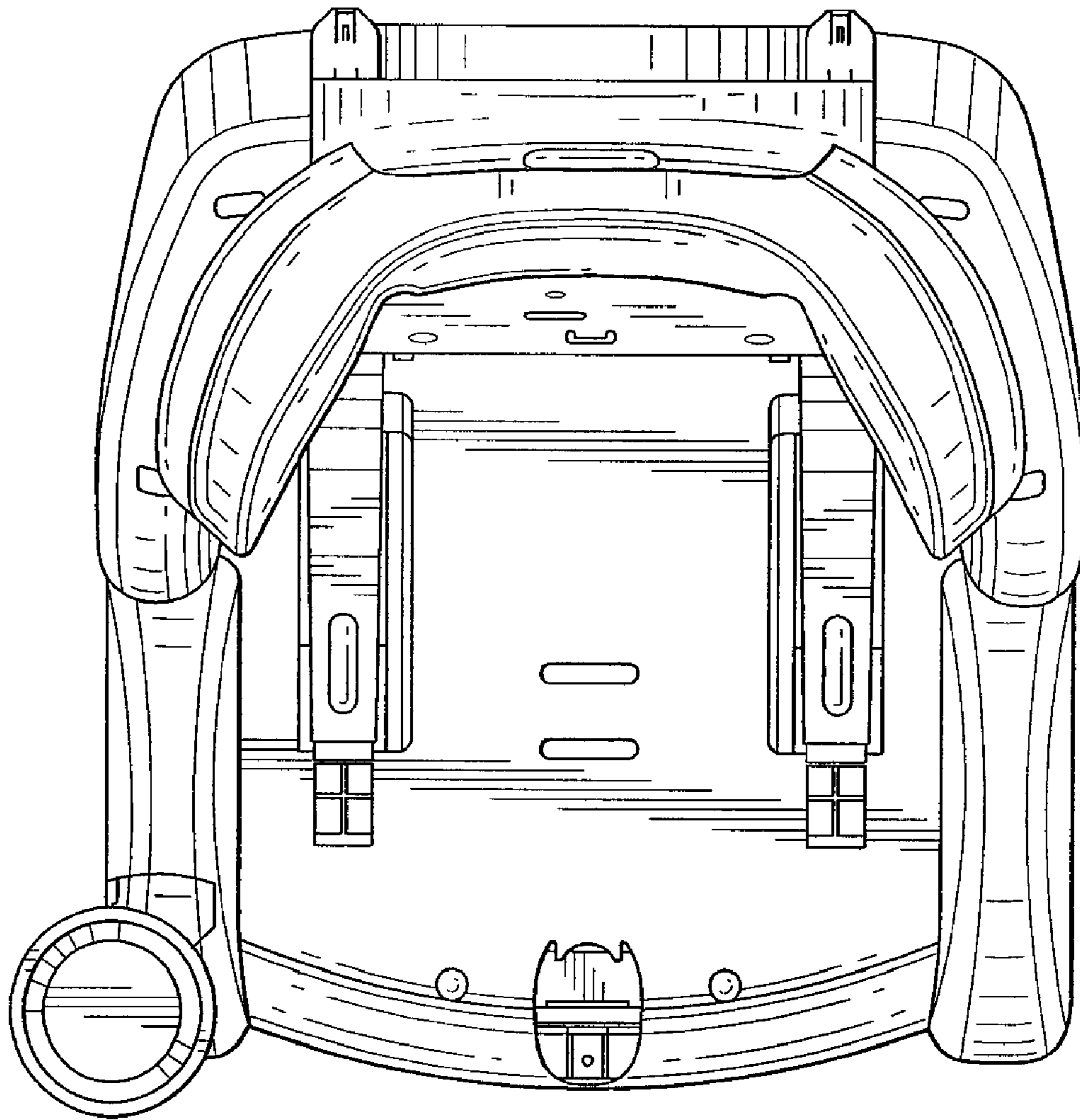


FIG. 6

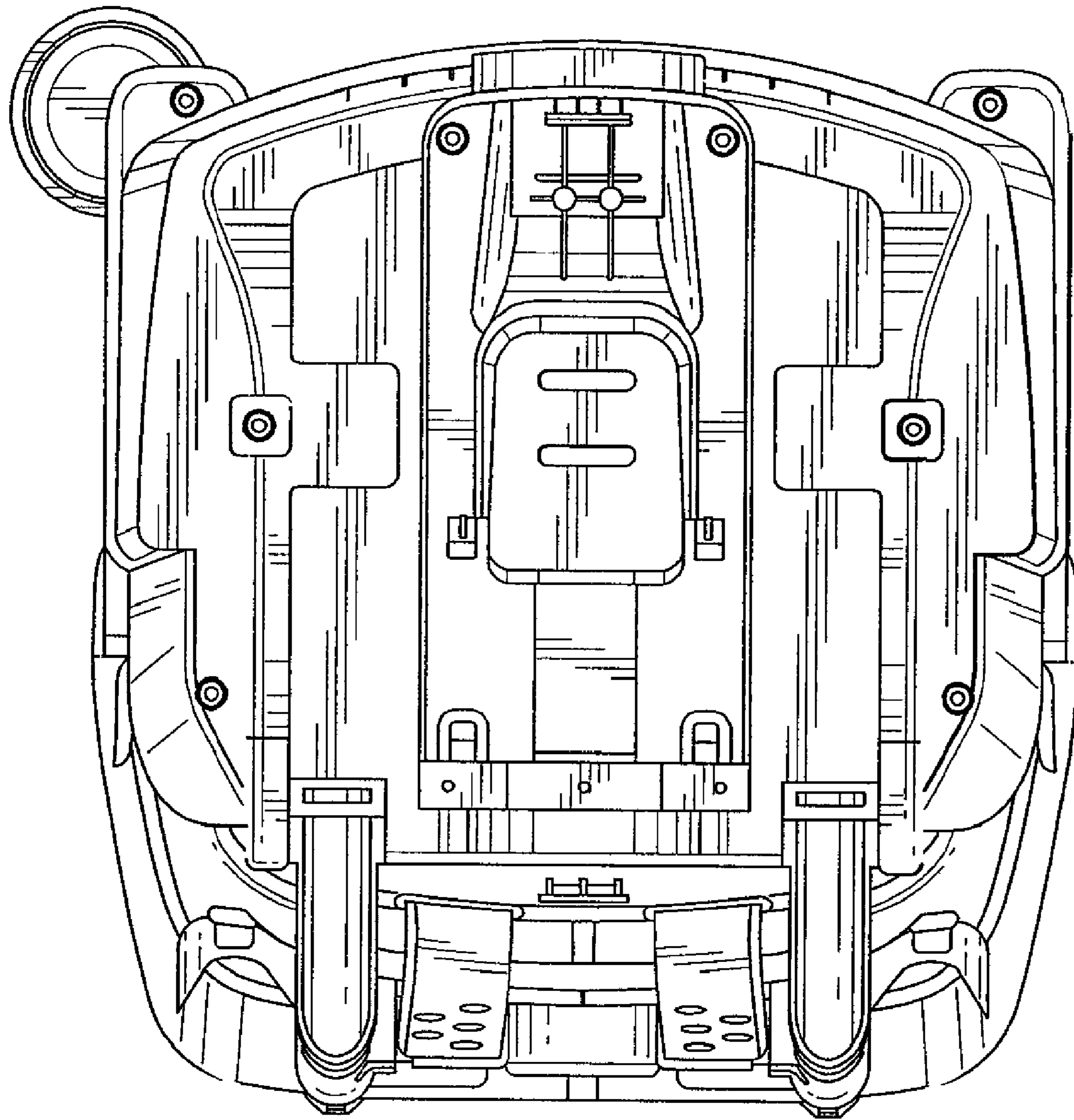


FIG. 7