



US00D655919S

(12) **United States Design Patent**  
**Daley**

(10) **Patent No.:** **US D655,919 S**  
(45) **Date of Patent:** **\*\* Mar. 20, 2012**

(54) **DUAL BALUSTER STAIN-PAINT ROLLER**

(76) Inventor: **Howard Daley**, Zeeland, MI (US)

(\*\*) Term: **14 Years**

(21) Appl. No.: **29/389,890**

(22) Filed: **Apr. 18, 2011**

(51) **LOC (9) Cl.** ..... **04-01**

(52) **U.S. Cl.** ..... **D4/114**

(58) **Field of Classification Search** ..... D4/114,  
D4/115, 116, 122, 137, 132, 120, 121, 138,  
D4/128, 131, 136, 133, 134, 135, 117, 118,  
D4/119, 123, 127, 130, 199, 101; 132/218;  
D23/225; D5/58; 15/104.002, 209.1, 118,  
15/230.11, 244.2, 186, 116, 206; 92/169.1;  
D28/7, 76; 401/219, 144, 15, 197, 145, 146,  
401/218, 170, 268, 278; 119/628

See application file for complete search history.

(56) **References Cited**

**U.S. PATENT DOCUMENTS**

1,525,585	A *	2/1925	McDowell	15/23
2,788,539	A *	4/1957	Santina	15/230.11
2,799,884	A *	7/1957	Bedford	15/230.11
2,813,292	A *	11/1957	McLendon	15/230.11
3,030,652	A *	4/1962	Whitfield et al.	401/218
3,195,170	A *	7/1965	Howard	401/188 R
3,205,526	A *	9/1965	Archibald	15/230.11
3,263,260	A *	8/1966	Filler	15/230.11
3,340,131	A *	9/1967	Leibow	156/579
4,000,537	A *	1/1977	Woo	15/230.11
4,167,349	A *	9/1979	Testa	401/144
4,335,484	A *	6/1982	Ridge et al.	15/230.11
4,422,789	A *	12/1983	Charney et al.	401/218
4,537,522	A *	8/1985	Charney et al.	401/218
4,617,073	A *	10/1986	Scott	156/107
4,644,604	A *	2/1987	Kierce	15/244.2
D308,098	S *	5/1990	Lievonon et al.	D24/211
5,035,022	A *	7/1991	Iuliano et al.	15/118

5,040,339	A *	8/1991	Warner	451/344
5,685,658	A *	11/1997	Woodruff	401/208
5,713,095	A *	2/1998	Wakat	15/230.11
6,000,090	A *	12/1999	Sutherland	15/230.11
6,045,282	A *	4/2000	Begin	401/197
6,219,877	B1 *	4/2001	Lowrey et al.	15/230.11
D443,986	S *	6/2001	Marino	D4/122
6,957,470	B2 *	10/2005	Rivadeneira	15/230.11
7,338,227	B2 *	3/2008	Bullivant	401/220
7,353,964	B2 *	4/2008	Kosmyna	220/23.87
7,435,029	B1 *	10/2008	Marini	401/197

(Continued)

*Primary Examiner* — Kevin Rudzinski

(74) *Attorney, Agent, or Firm* — Miles & Stockbridge P.C.;  
David R. Schaffer, Esq.

(57) **CLAIM**

The ornamental design for a dual baluster stain-paint roller, as shown and described.

**DESCRIPTION**

FIG. 1 is a right side view of a design for a dual baluster stain-paint roller.

FIG. 2 is a back view of the design for a dual baluster stain-paint roller.

FIG. 3 is a left side view of the design for a dual baluster stain-paint roller.

FIG. 4 is a front view of the design for a dual baluster stain-paint roller, with the rollers in an offset, open position.

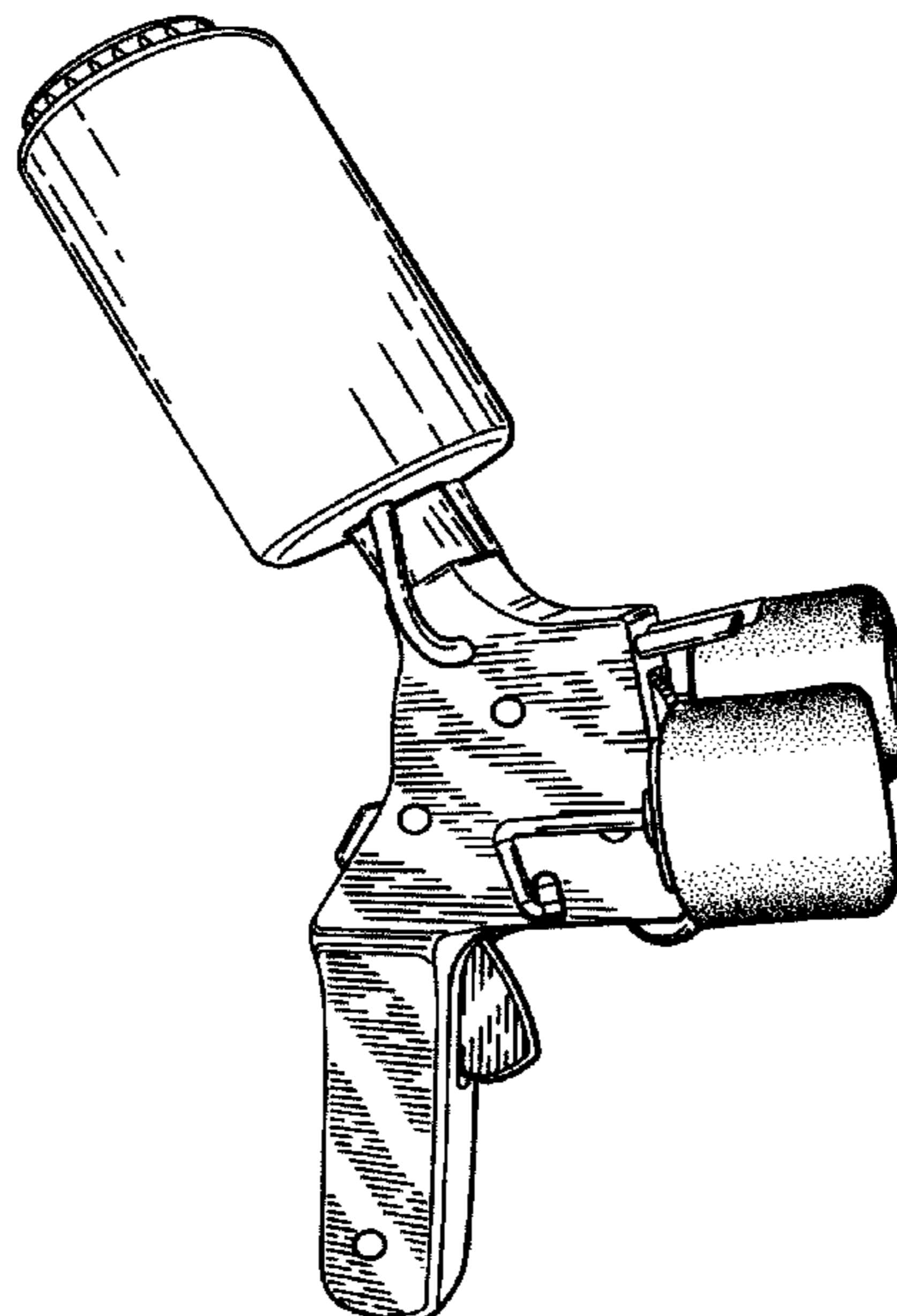
FIG. 5 is a top, front view of the design for a dual baluster stain-paint roller.

FIG. 6 is a bottom, front view of the design for a dual baluster stain-paint roller.

FIG. 7 is a top, back view of the design for a dual baluster stain-paint roller; and,

FIG. 8 is a front view of the design for a dual baluster stain-paint roller, with the rollers in an in-line, closed position.

**1 Claim, 7 Drawing Sheets**



# US D655,919 S

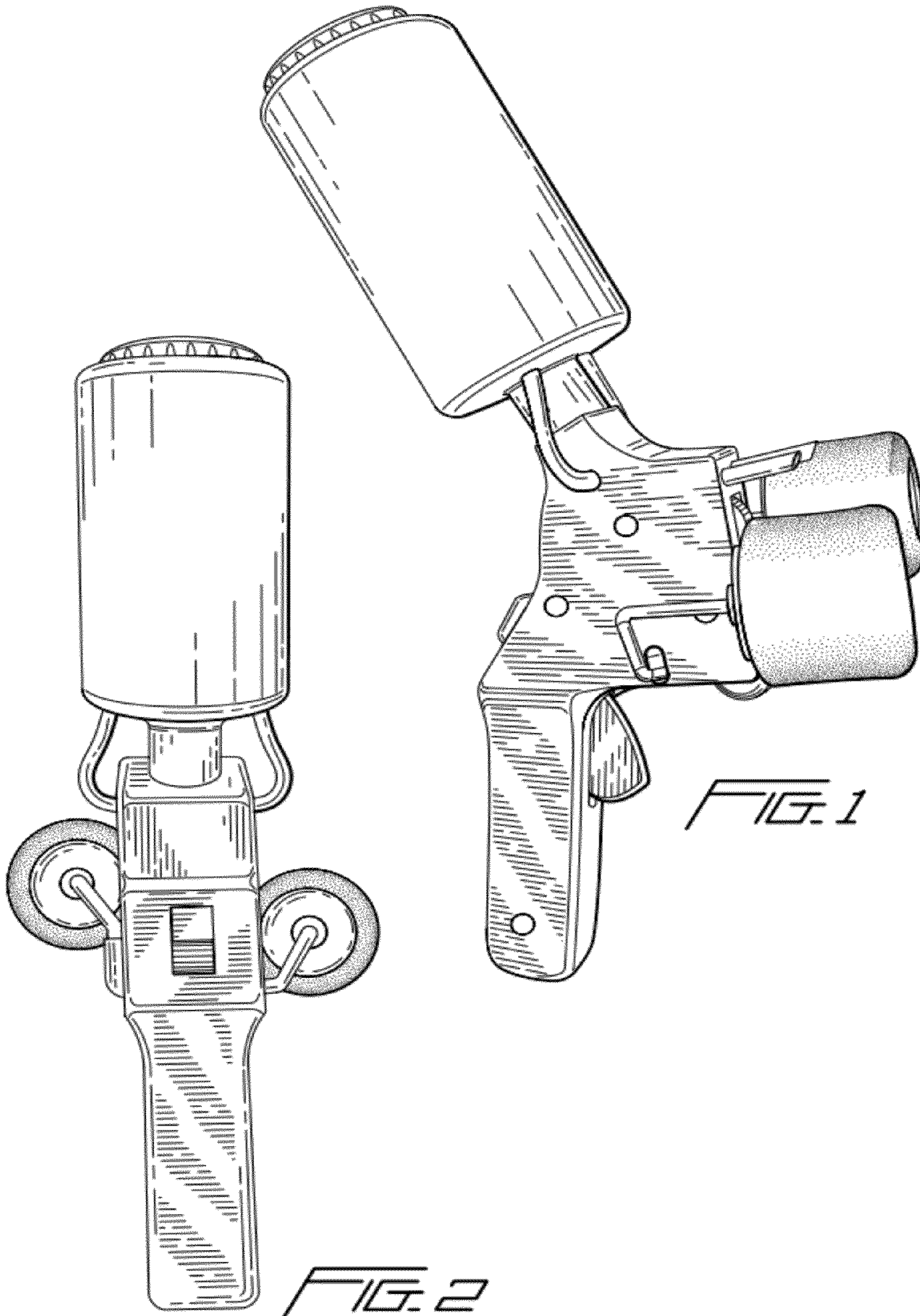
Page 2

---

U.S. PATENT DOCUMENTS			
D599,831 S *	9/2009	Rosso et al. ....	D15/138
7,707,678 B2 *	5/2010	Major .....	15/230.11
7,806,612 B1 *	10/2010	Wangler .....	401/11
2004/0111818 A1 *	6/2004	Ma .....	15/230.11
2006/0067784 A1 *	3/2006	Serio et al. ....	401/219
2008/0141519 A1 *	6/2008	Kosmyna .....	29/428
2010/0098870 A1 *	4/2010	Staunton et al. ....	427/426

\* cited by examiner







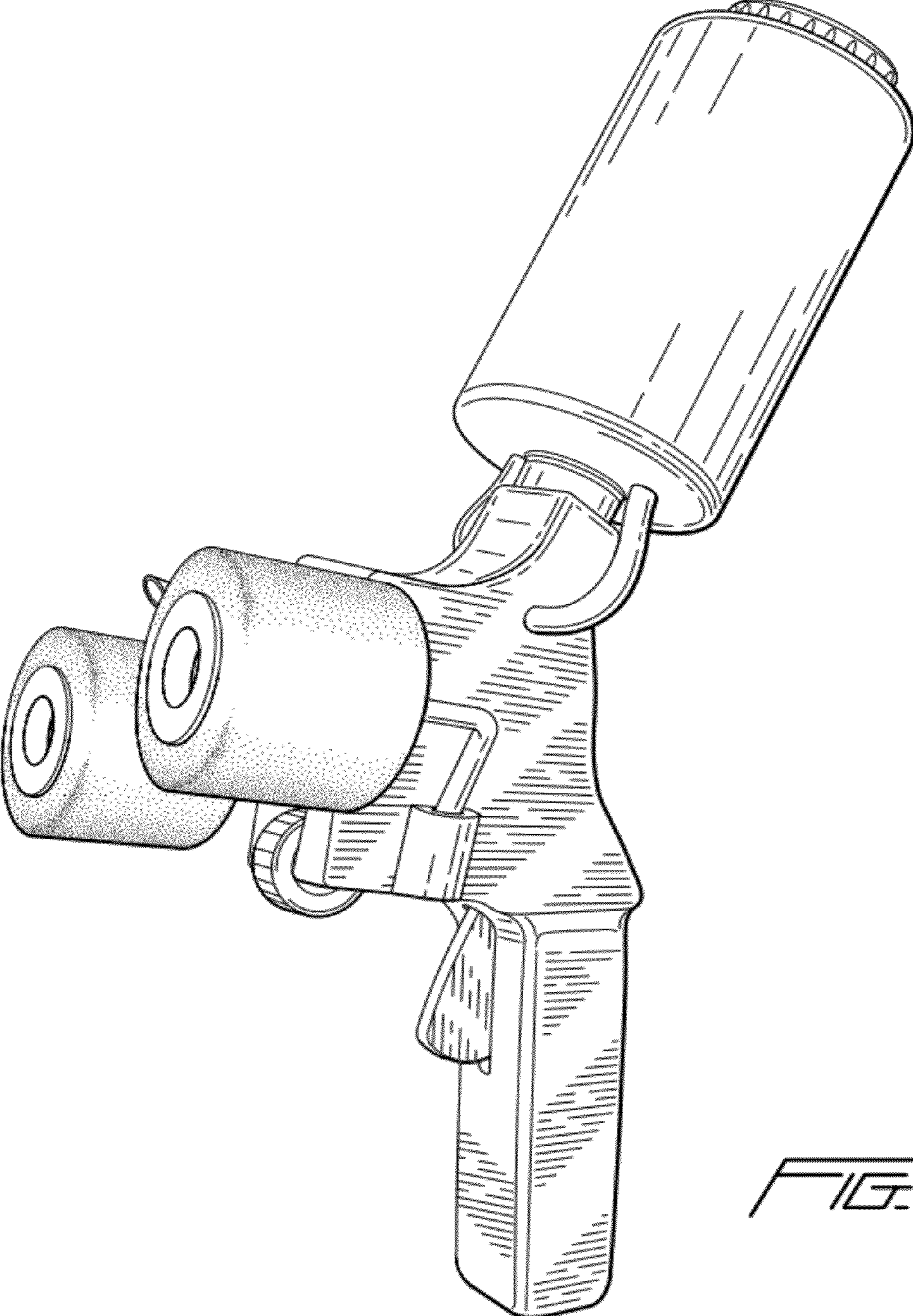


FIG. 3



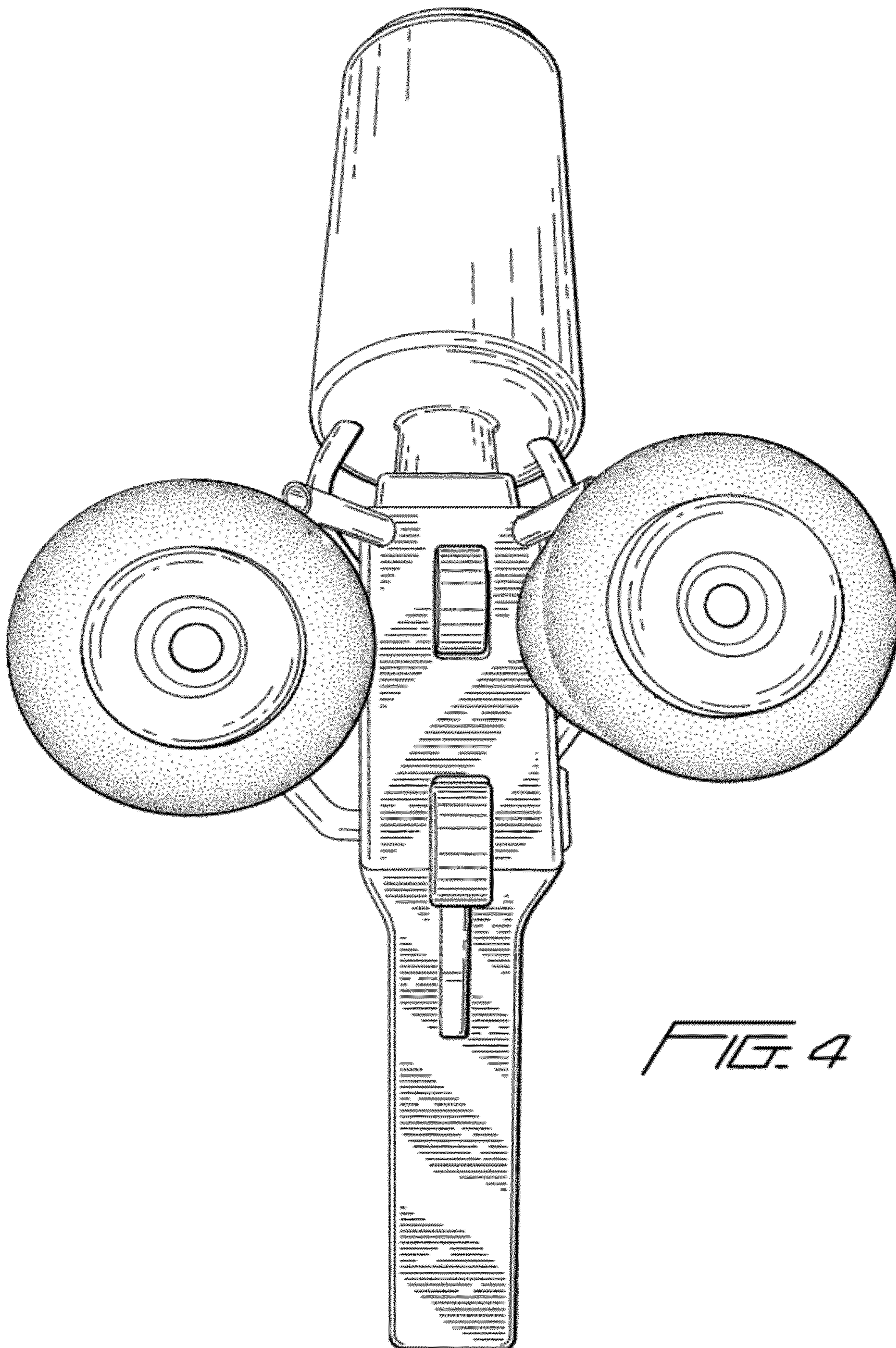
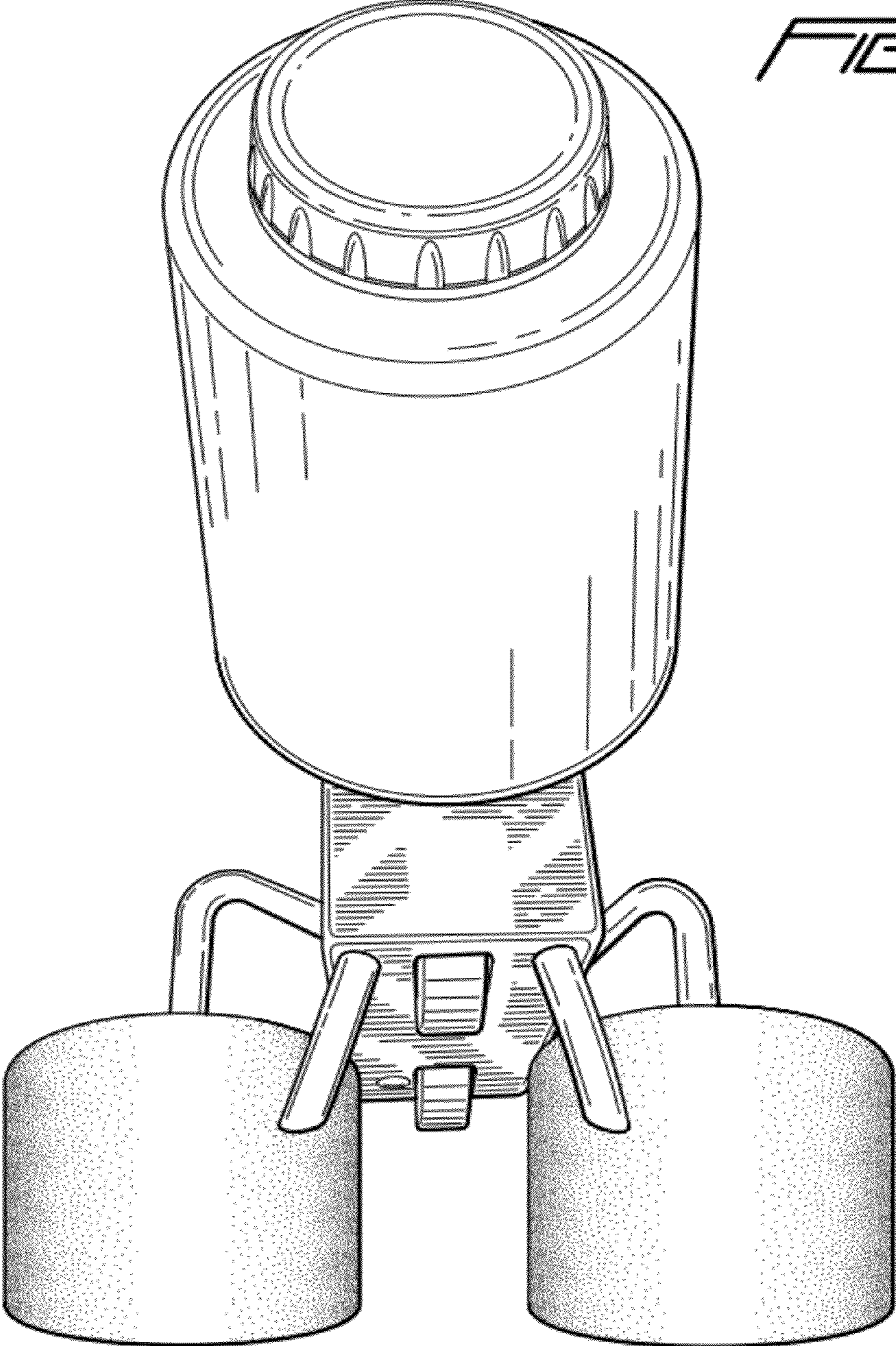


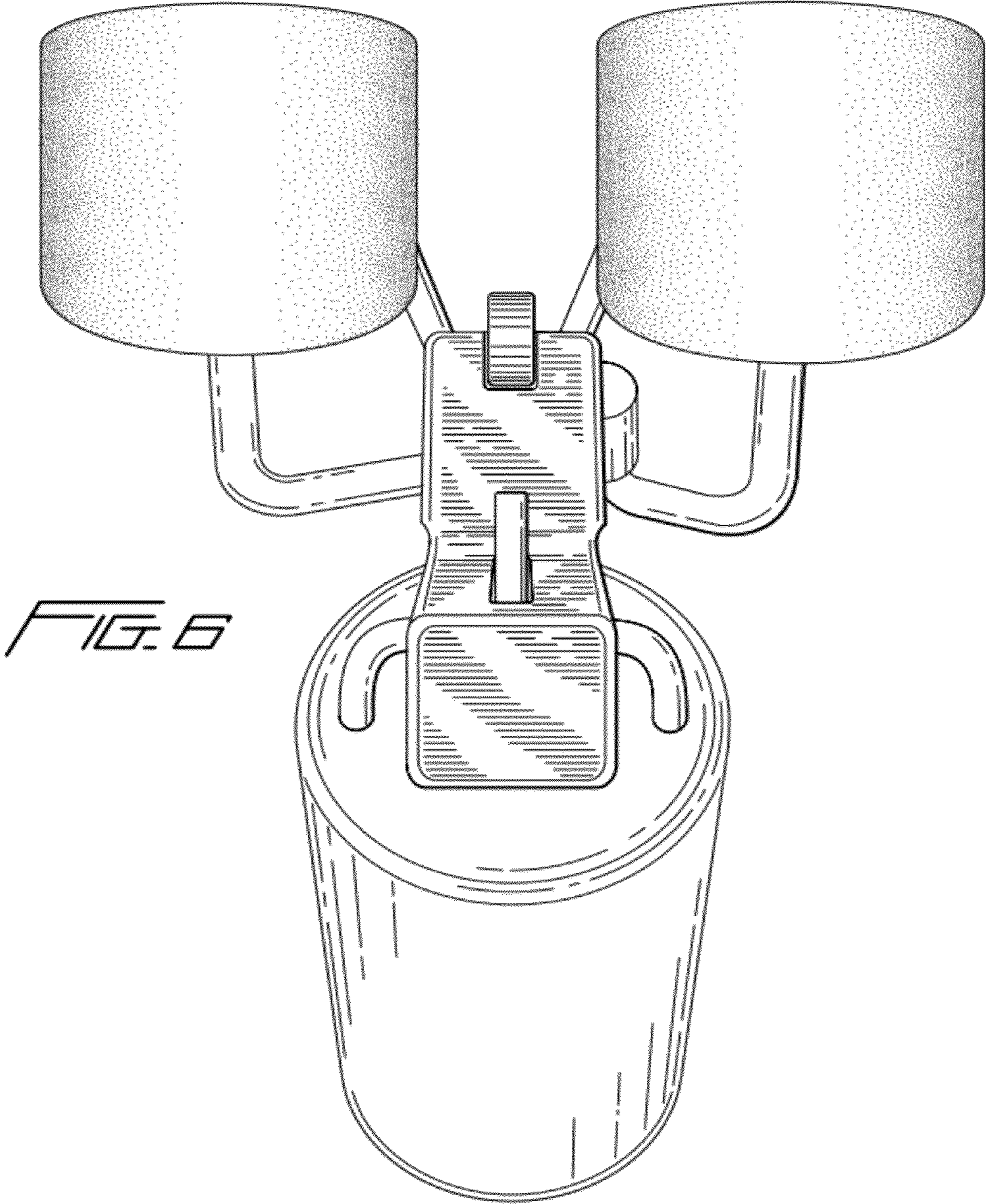
FIG. 4





*FIG. 5*





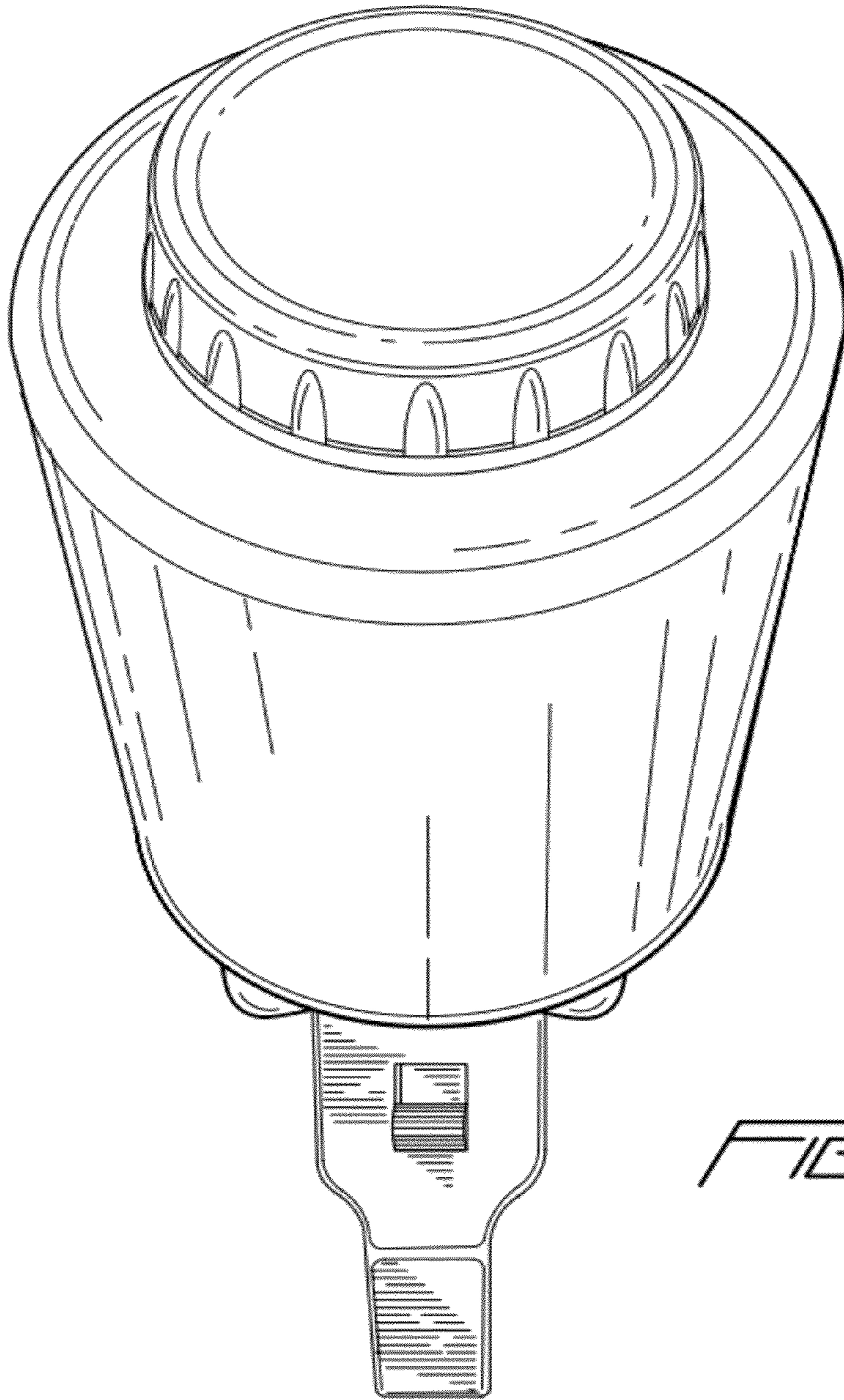


FIG. 7



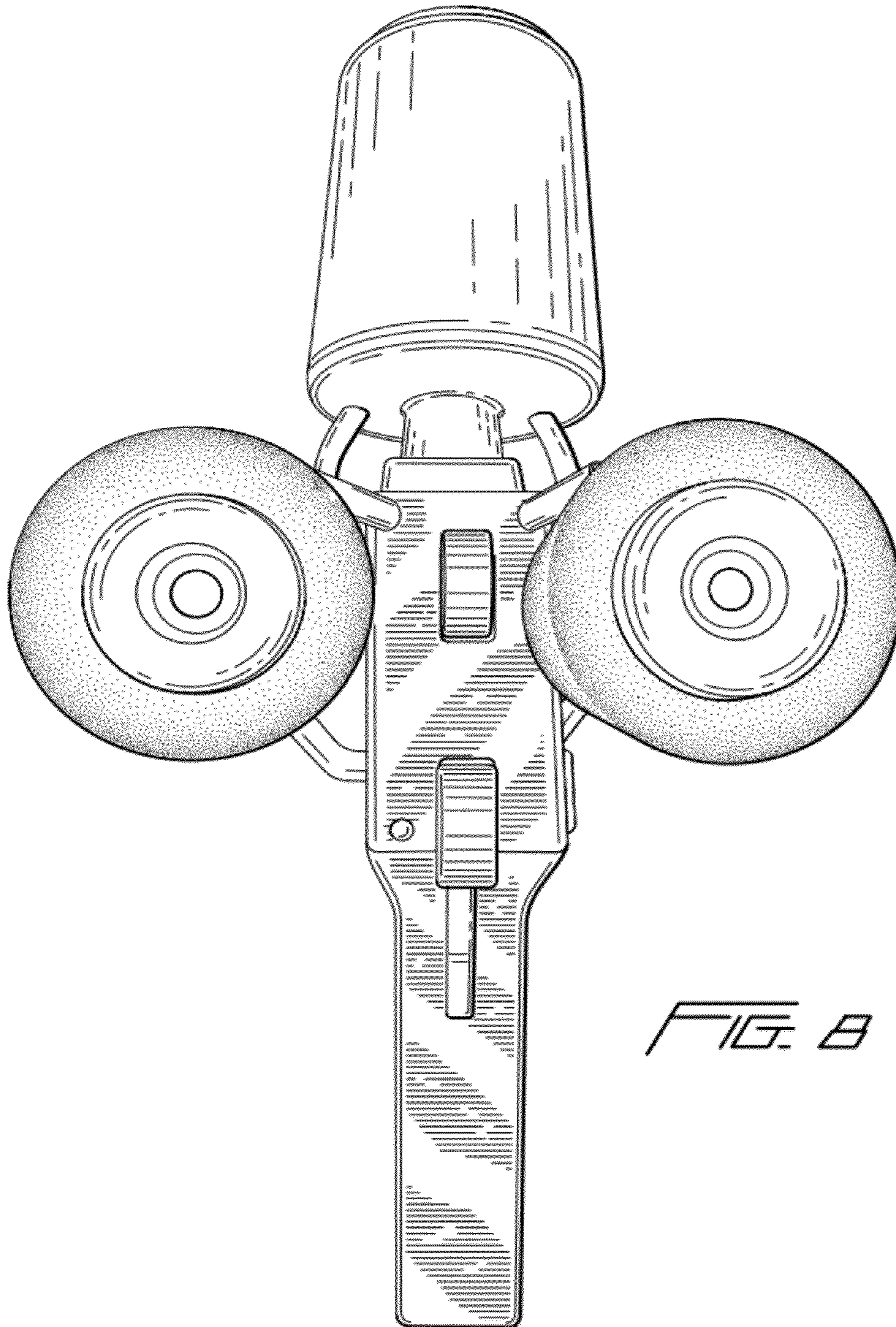


FIG. 8