



US00D655914S

(12) **United States Design Patent**
Perez

(10) **Patent No.:** **US D655,914 S**
(45) **Date of Patent:** **** Mar. 20, 2012**

- (54) **BASKET**
- (76) **Inventor:** **Juan Roberto Perez**, San Juan, PR (US)
- (**) **Term:** **14 Years**
- (21) **Appl. No.:** **29/403,359**
- (22) **Filed:** **Oct. 5, 2011**
- (51) **LOC (9) Cl.** **03-01**
- (52) **U.S. Cl.** **D3/309**
- (58) **Field of Classification Search** D3/304,
D3/306-309, 315-316; D7/601-603, 608,
D7/709; D9/429-430; D22/136; D32/37,
D32/53; 217/122, 125; 220/659, 669
See application file for complete search history.

- D602,694 S * 10/2009 Alvarez D3/315
- D604,047 S * 11/2009 Williams D3/310
- D608,066 S * 1/2010 Pearl et al. D32/53
- D649,220 S * 11/2011 Vreeland D23/209

* cited by examiner

Primary Examiner — Caron Veynar
Assistant Examiner — Kelley Donnelly
(74) *Attorney, Agent, or Firm* — Hogle & Parnas, PSC;
Robert J. Rios

(57) **CLAIM**
The ornamental design for a basket, as shown and described.

DESCRIPTION

FIG. 1 is a side perspective view of the basket.
FIG. 2 is a side view of the basket of FIG. 1.
FIG. 3 is a top view of the basket of FIG. 1; and,
FIG. 4 is a bottom view of the basket of FIG. 1.
The broken lines are for the purpose of illustrating the environment of the design only and form no part of the claimed design.

(56) **References Cited**

U.S. PATENT DOCUMENTS

- D391,077 S * 2/1998 Lacy et al. D3/306
- D451,280 S * 12/2001 Snell D3/309
- D459,582 S * 7/2002 Lacy et al. D3/307
- D516,815 S * 3/2006 Peller et al. D3/306
- D536,172 S * 2/2007 Baez D3/309

1 Claim, 2 Drawing Sheets

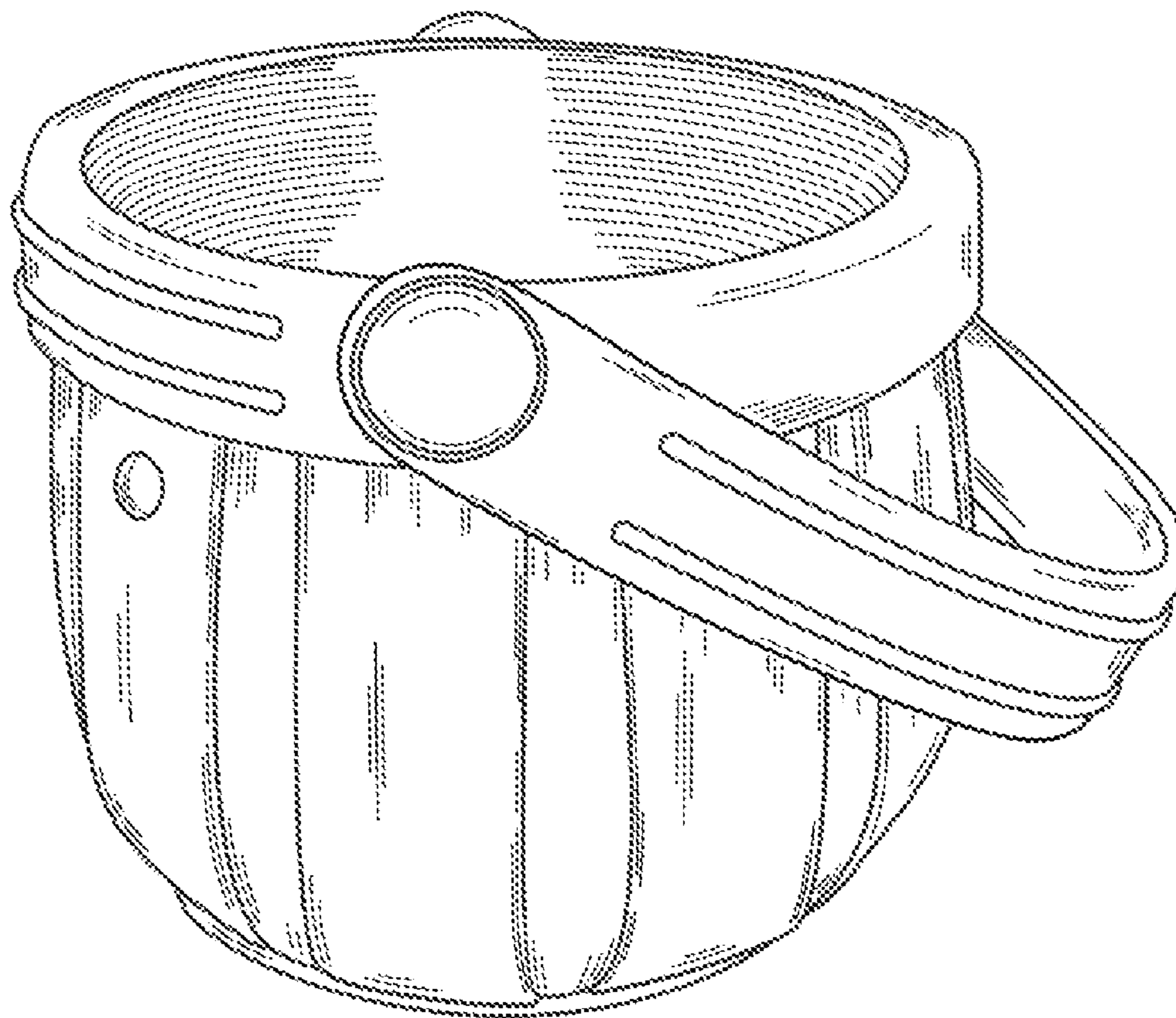


FIG. 1

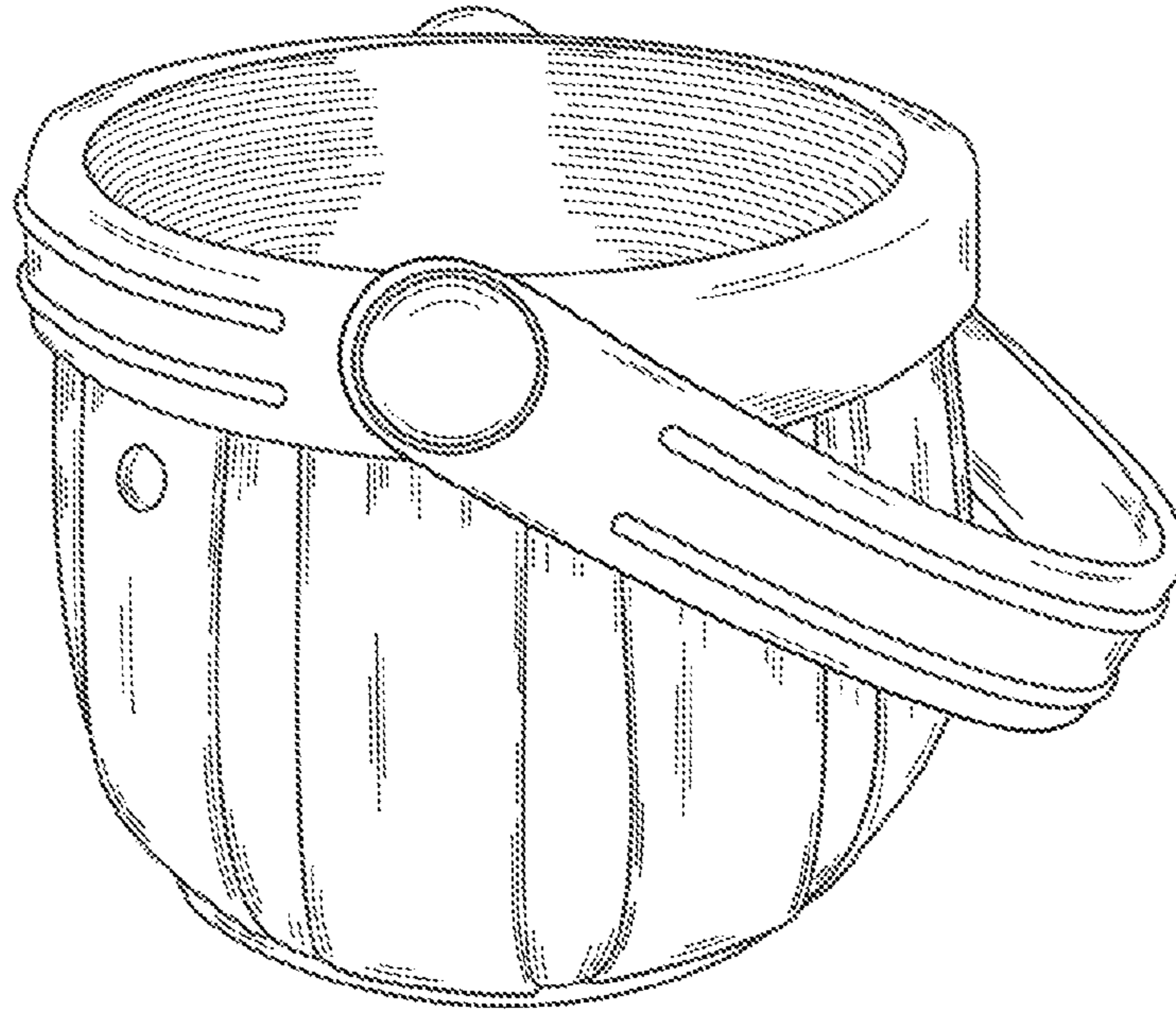


FIG. 2

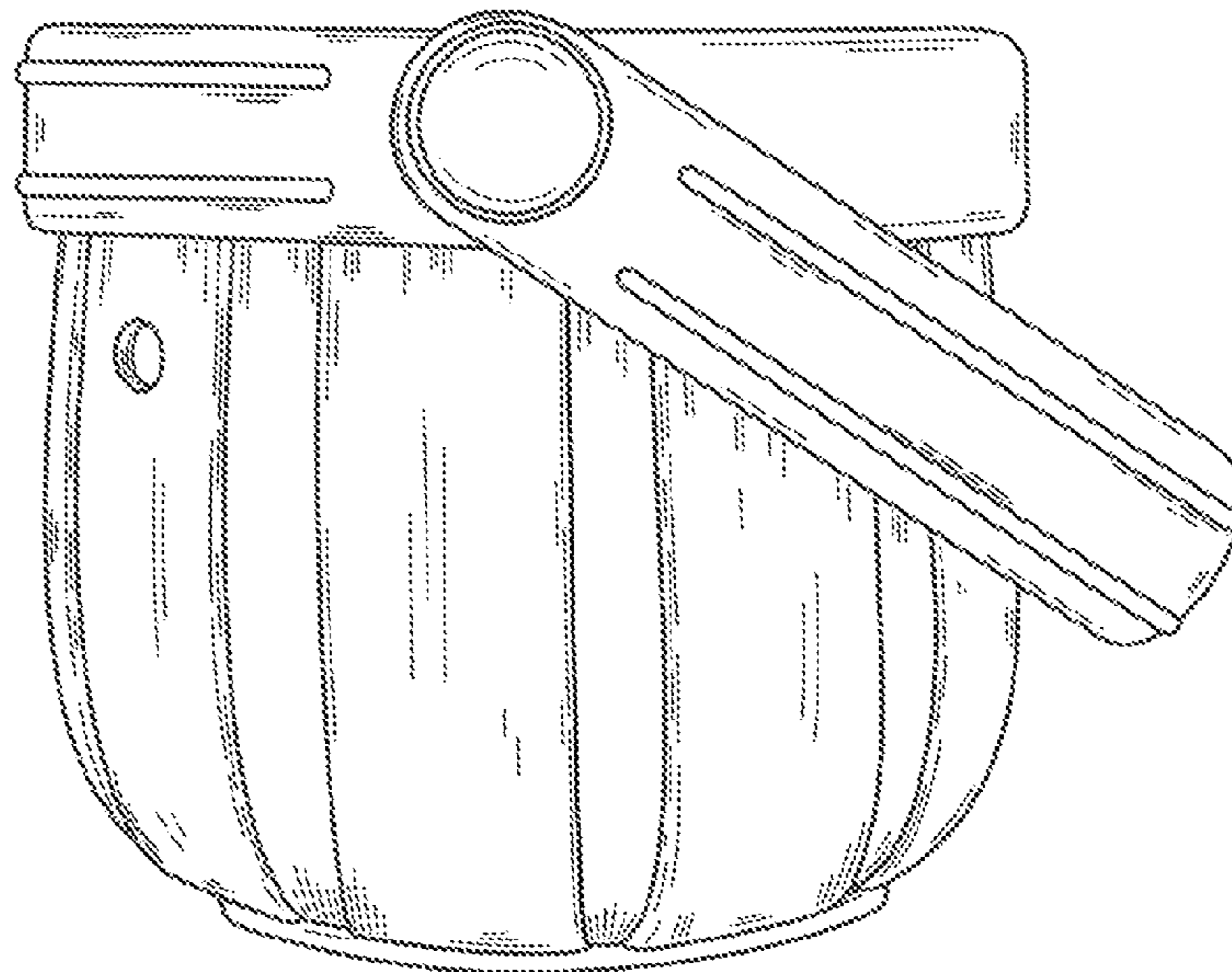


FIG. 3

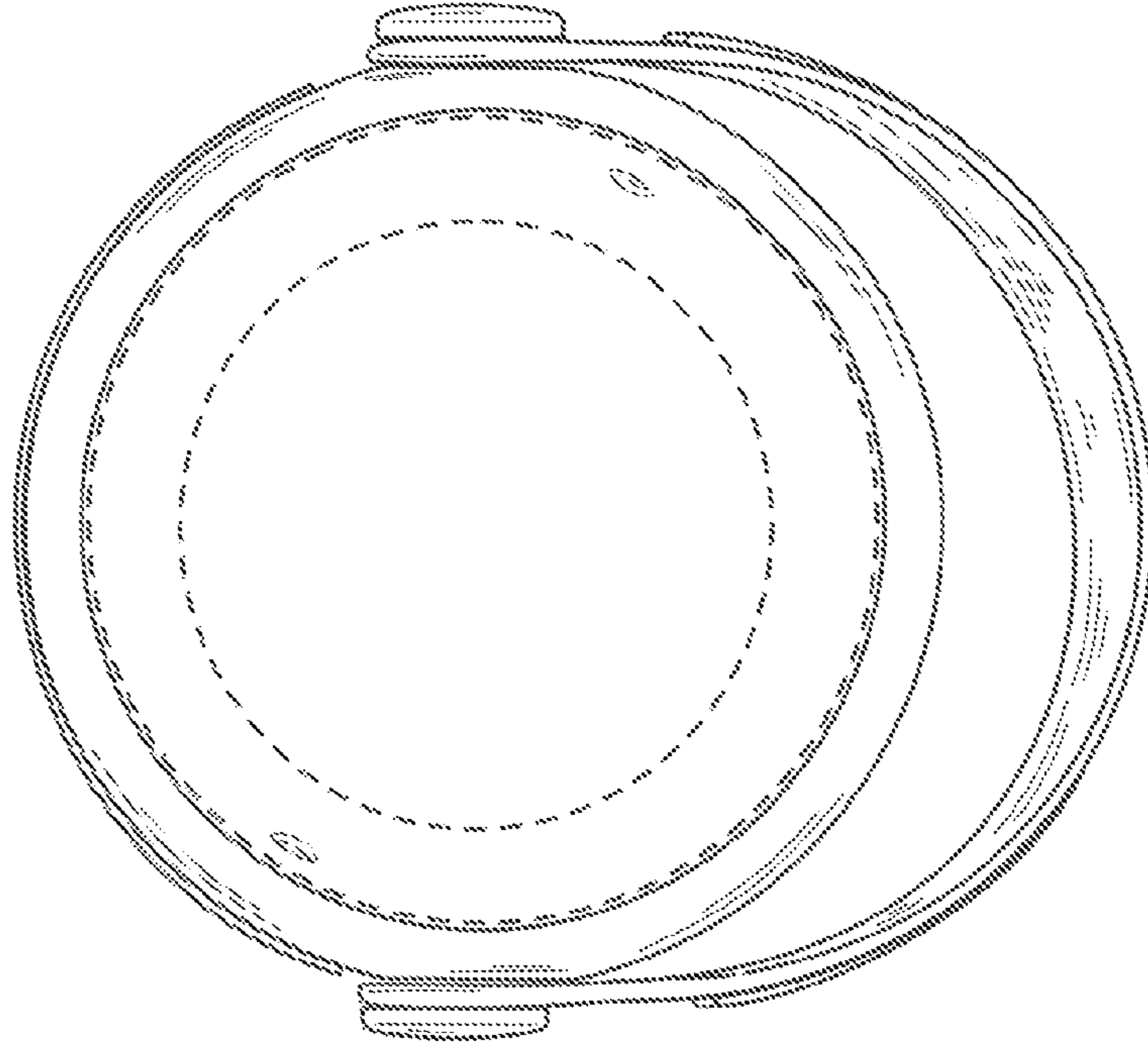


FIG. 4

