



US00D655910S

(12) **United States Design Patent**
Kao

(10) **Patent No.:** **US D655,910 S**
(45) **Date of Patent:** **** Mar. 20, 2012**

(54) **FRUIT JACKET**

(76) Inventor: **I-Feng Kao**, Tainan (TW)

(**) Term: **14 Years**

(21) Appl. No.: **29/391,798**

(22) Filed: **May 13, 2011**

(51) **LOC (9) Cl.** **03-01**

(52) **U.S. Cl.** **D3/229**

(58) **Field of Classification Search** D3/229,
D3/215, 226, 232-245, 254, 269; D7/601-602,
D7/605, 607-608; D9/645; 383/12, 23,
383/26, 907

See application file for complete search history.

(56) **References Cited**

U.S. PATENT DOCUMENTS

D120,940 S *	6/1940	Lobel	D3/233
D139,891 S *	1/1945	Phelps	D3/226
2,470,367 A *	5/1949	Palma	D3/245
D318,567 S *	7/1991	Smith	D3/238
D547,059 S *	7/2007	Keller	D3/233
D579,656 S *	11/2008	Pons	D3/234

OTHER PUBLICATIONS

Neatoshop.com website, fruit jacket (apple, banana and pear trio) no date except date of printing Jan. 9, 2012.*

* cited by examiner

Primary Examiner — Catheri Oliver

(74) *Attorney, Agent, or Firm* — Alan Kamrath; Kamrath IP, Lawfirm, PA

(57) **CLAIM**

The ornamental design for a fruit jacket, as shown and described.

DESCRIPTION

FIG. 1 is a perspective view of a fruit jacket showing my design;

FIG. 2 is a front elevational view thereof;

FIG. 3 is a rear elevational view thereof;

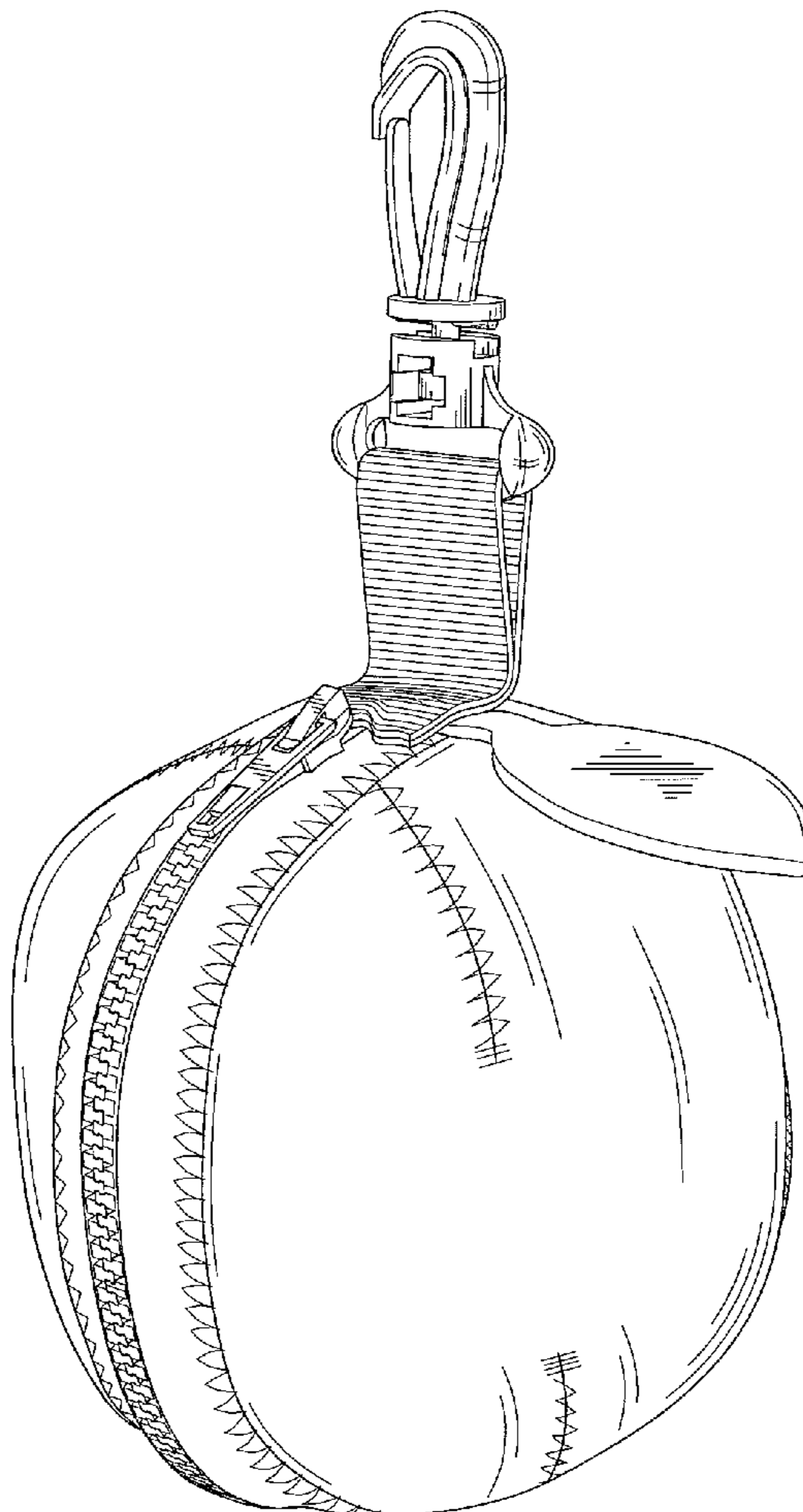
FIG. 4 is a left elevational view thereof;

FIG. 5 is a right elevational view thereof;

FIG. 6 is a top plan view thereof; and,

FIG. 7 is a bottom plan view thereof.

1 Claim, 7 Drawing Sheets



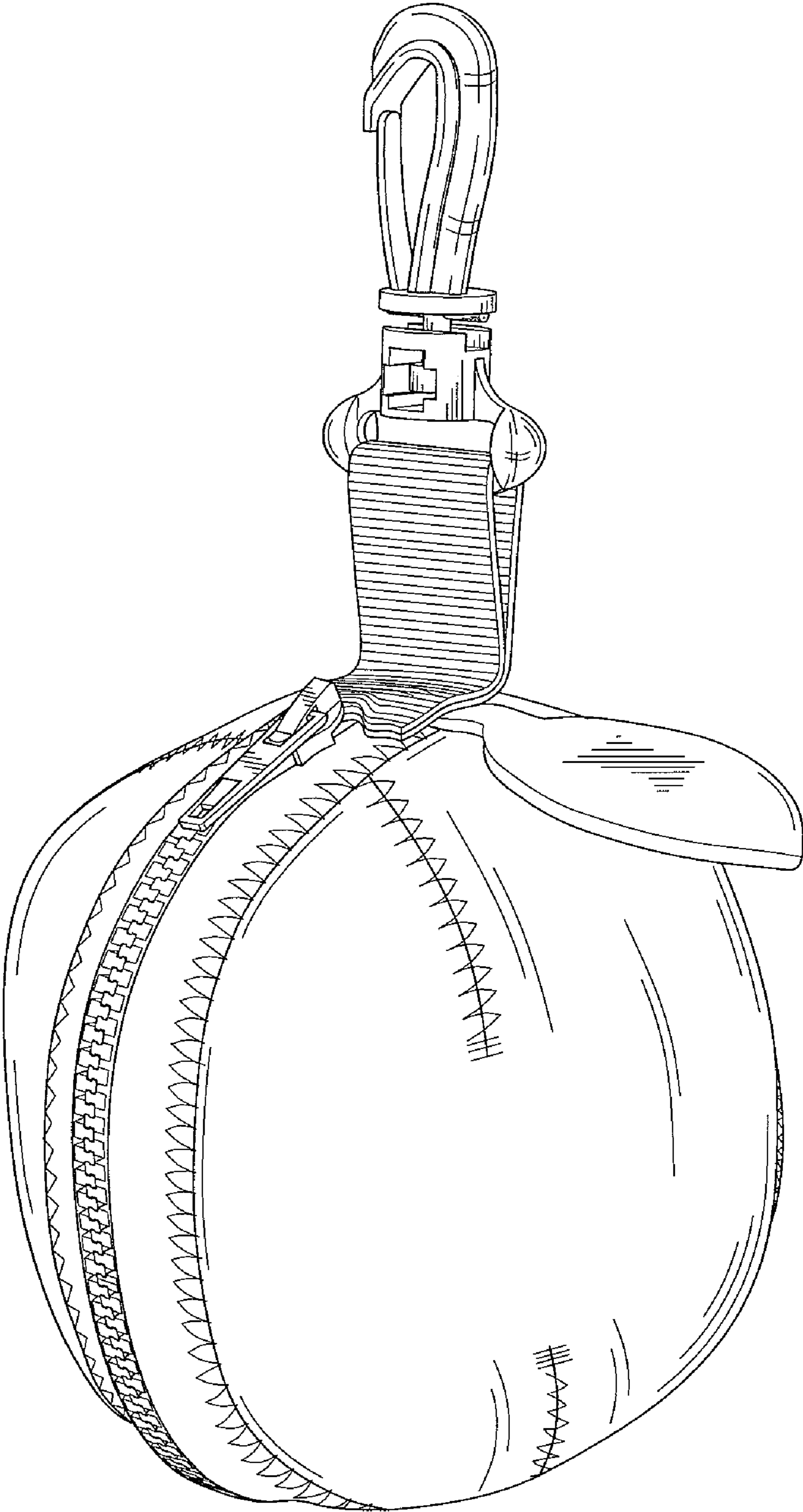


FIG. 1

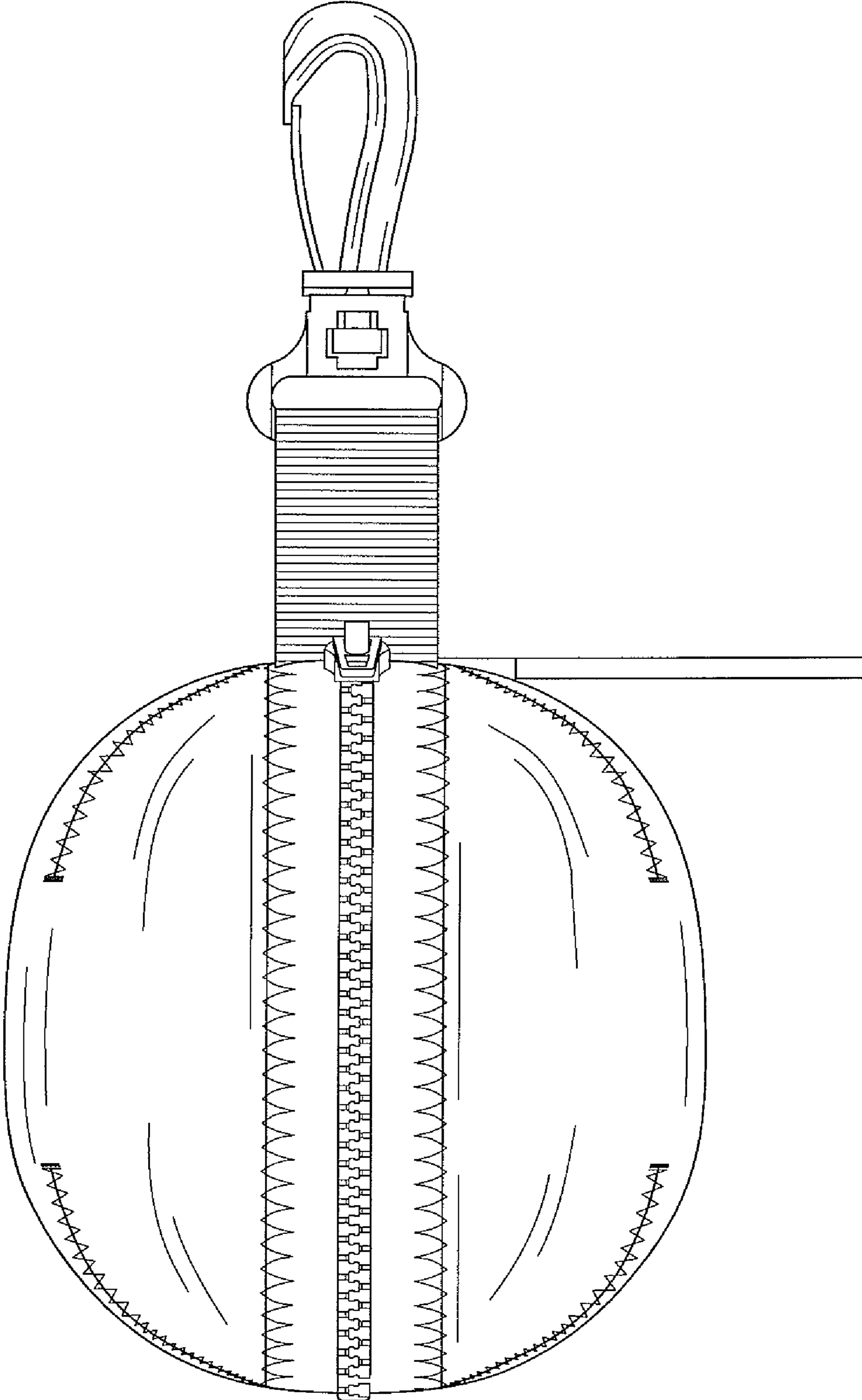


FIG. 2

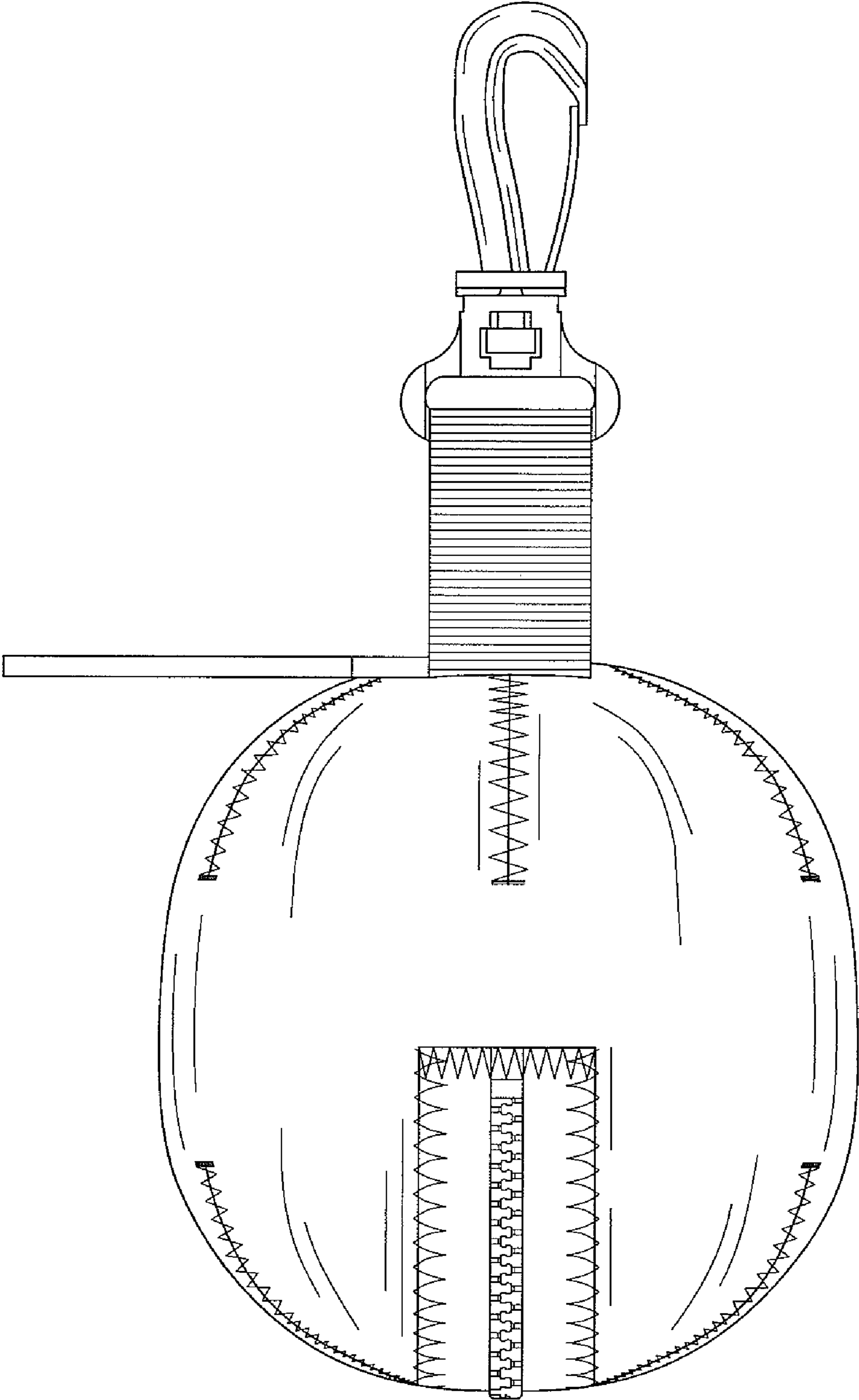


FIG. 3

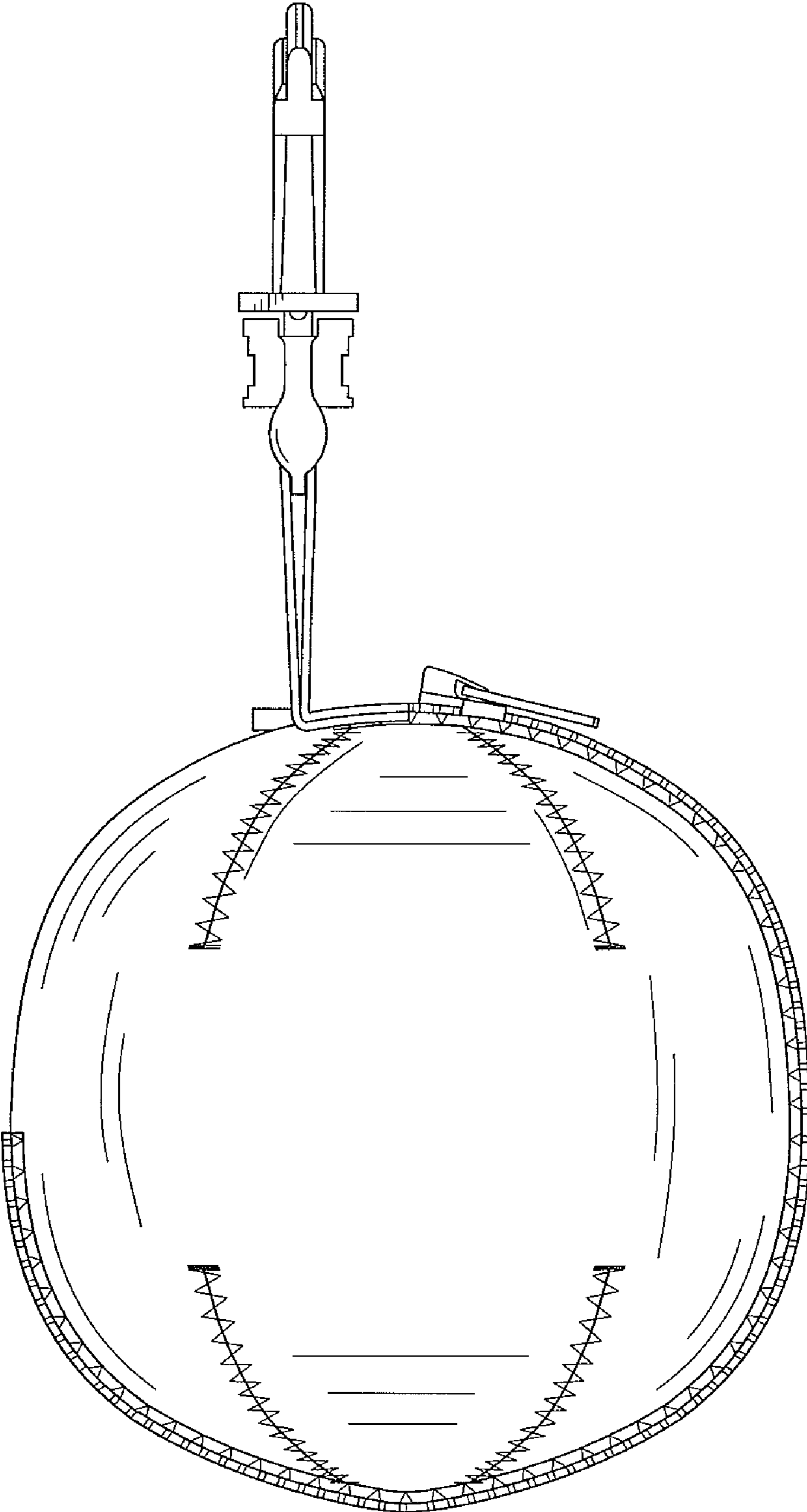


FIG. 4

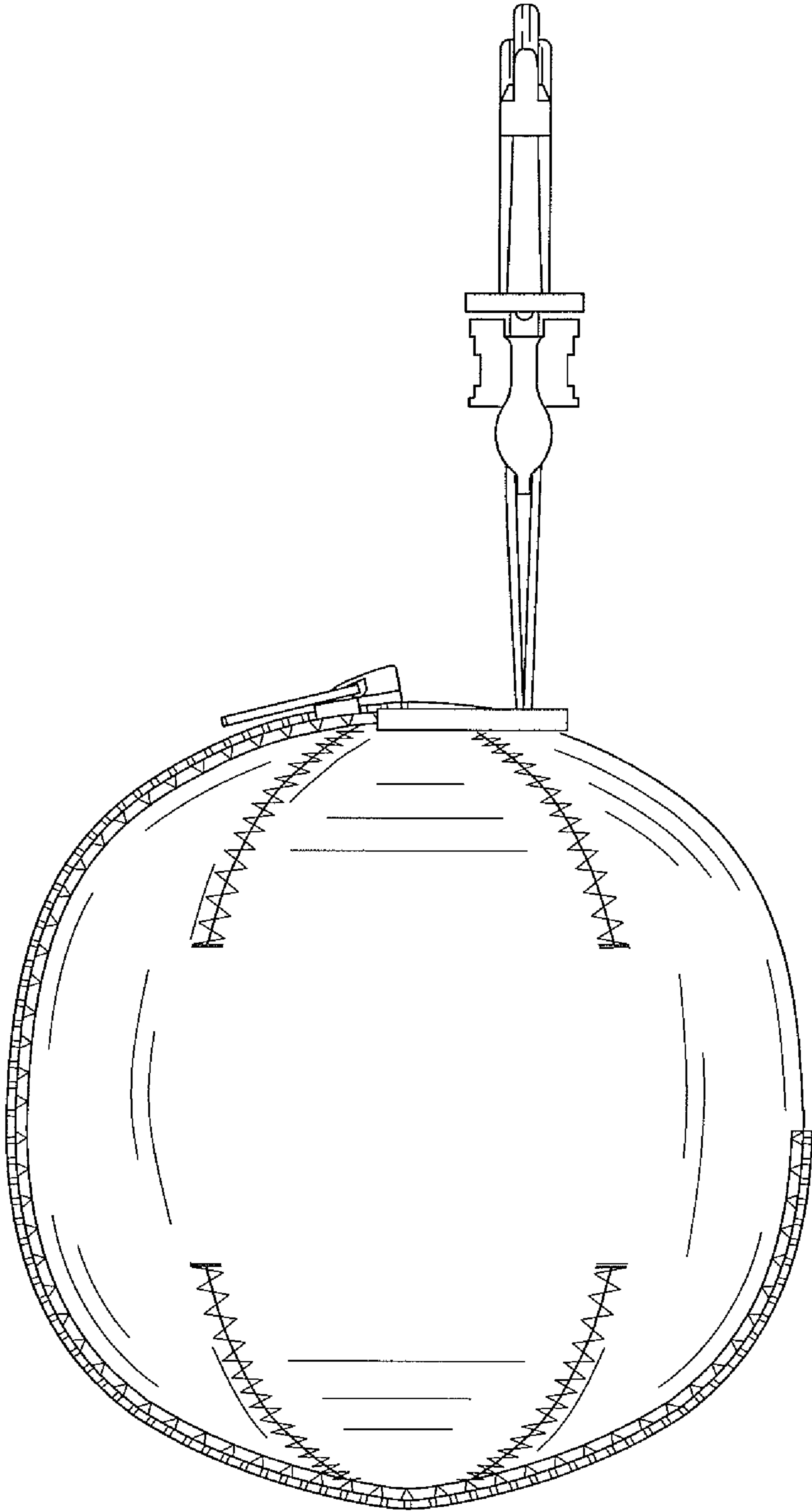


FIG. 5

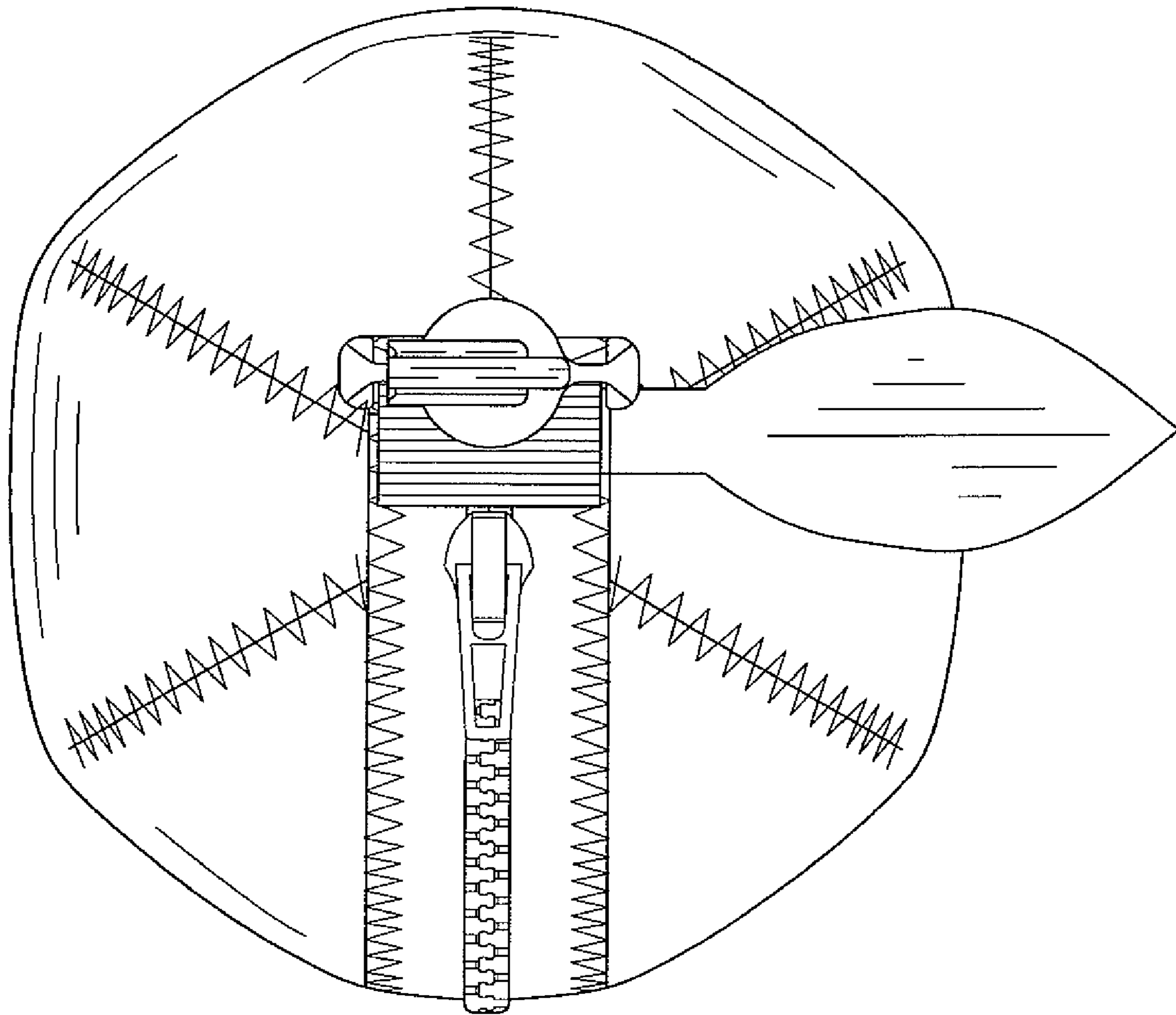


FIG. 6

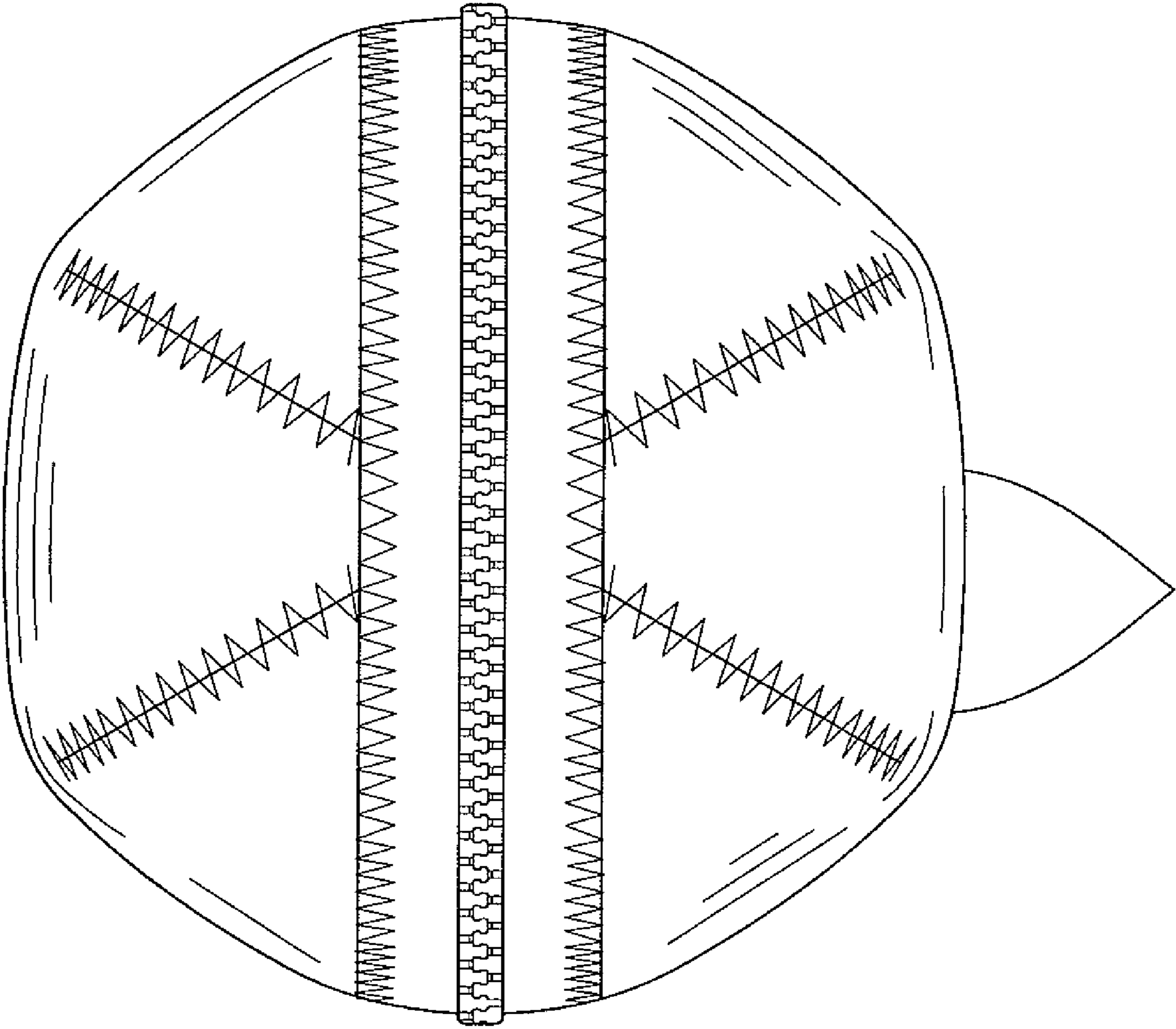


FIG. 7