

US00D655905S

(12) **United States Design Patent**
Issler

(10) **Patent No.:** **US D655,905 S**
(45) **Date of Patent:** **** Mar. 20, 2012**

- (54) **UPPER FOR A SHOE**
- (75) Inventor: **David C. Issler**, Andover, MA (US)
- (73) Assignee: **Columbia Insurance Company**,
Omaha, NE (US)
- (**) Term: **14 Years**
- (21) Appl. No.: **29/379,495**
- (22) Filed: **Nov. 19, 2010**
- (51) **LOC (9) Cl.** **02-99**
- (52) **U.S. Cl.** **D2/971**
- (58) **Field of Classification Search** D2/916,
D2/917, 919, 925-942, 946, 950, 964-966,
D2/969, 971; 36/10, 11.5, 100-102
See application file for complete search history.

- D545,039 S * 6/2007 Weitzman et al. D2/971
- D548,932 S * 8/2007 Choi D2/917
- D555,882 S * 11/2007 Comeau et al. D2/917
- D582,147 S * 12/2008 Weitzman D2/971

* cited by examiner

Primary Examiner — Dominic Simone

(74) *Attorney, Agent, or Firm* — IP Attorneys Group, LLC

(57) **CLAIM**

The ornamental design for a upper for a shoe, as shown and described.

DESCRIPTION

FIG. 1 is a top perspective view of an upper shoe for a shoe in accordance with my new design;
FIG. 2 is a top view thereof;
FIG. 3 is a left side view thereof;
FIG. 4 is a right side view thereof;
FIG. 5 is a front view thereof; and,
FIG. 6 is a rear view thereof.

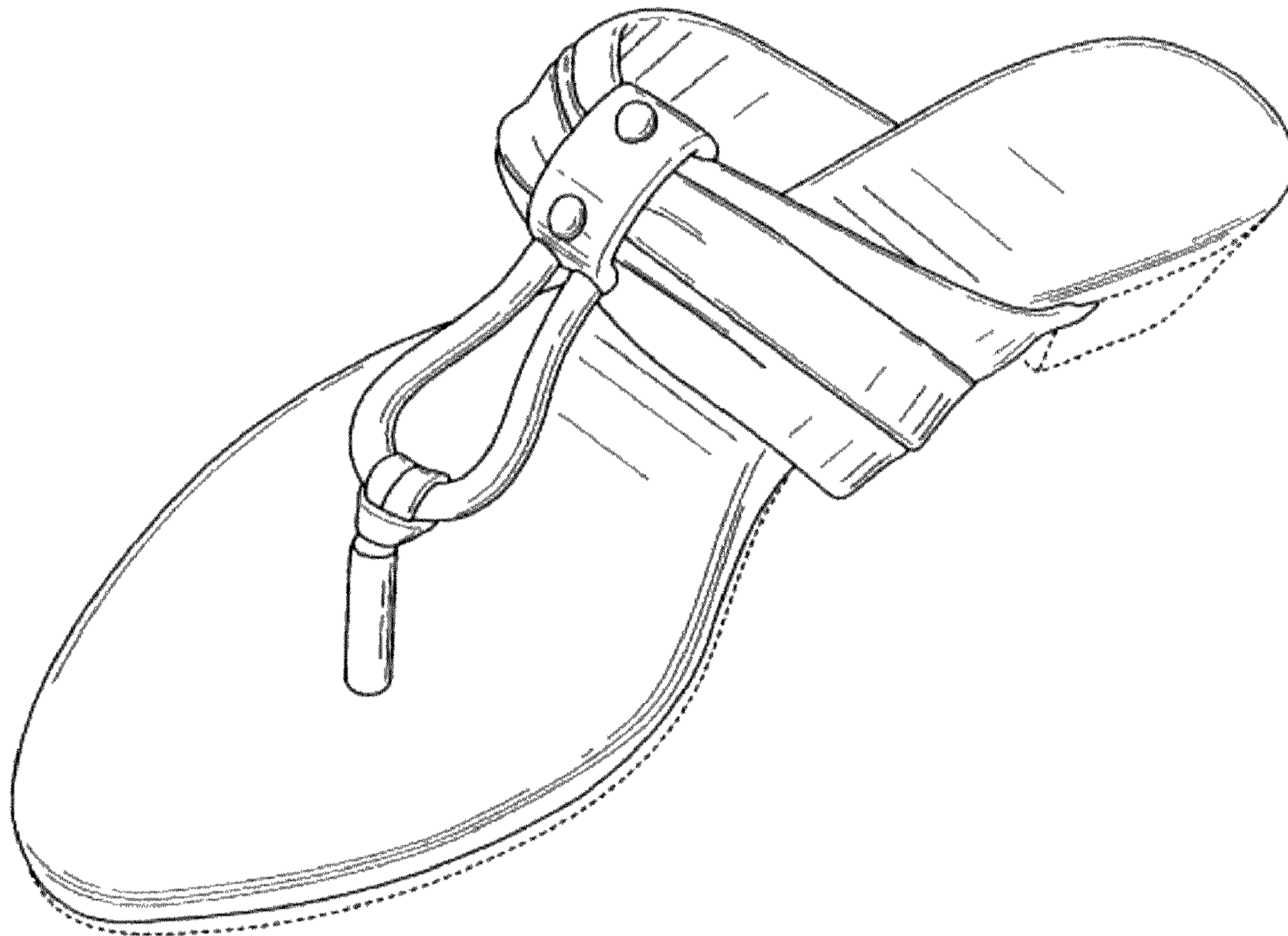
The broken lines shown in all of the figures are for environmental purposes and from no part of the claim.

(56) **References Cited**

U.S. PATENT DOCUMENTS

- D508,305 S * 8/2005 Comeau D2/917
- D513,447 S * 1/2006 Corneau D2/917
- D517,793 S * 3/2006 Choi D2/971

1 Claim, 5 Drawing Sheets



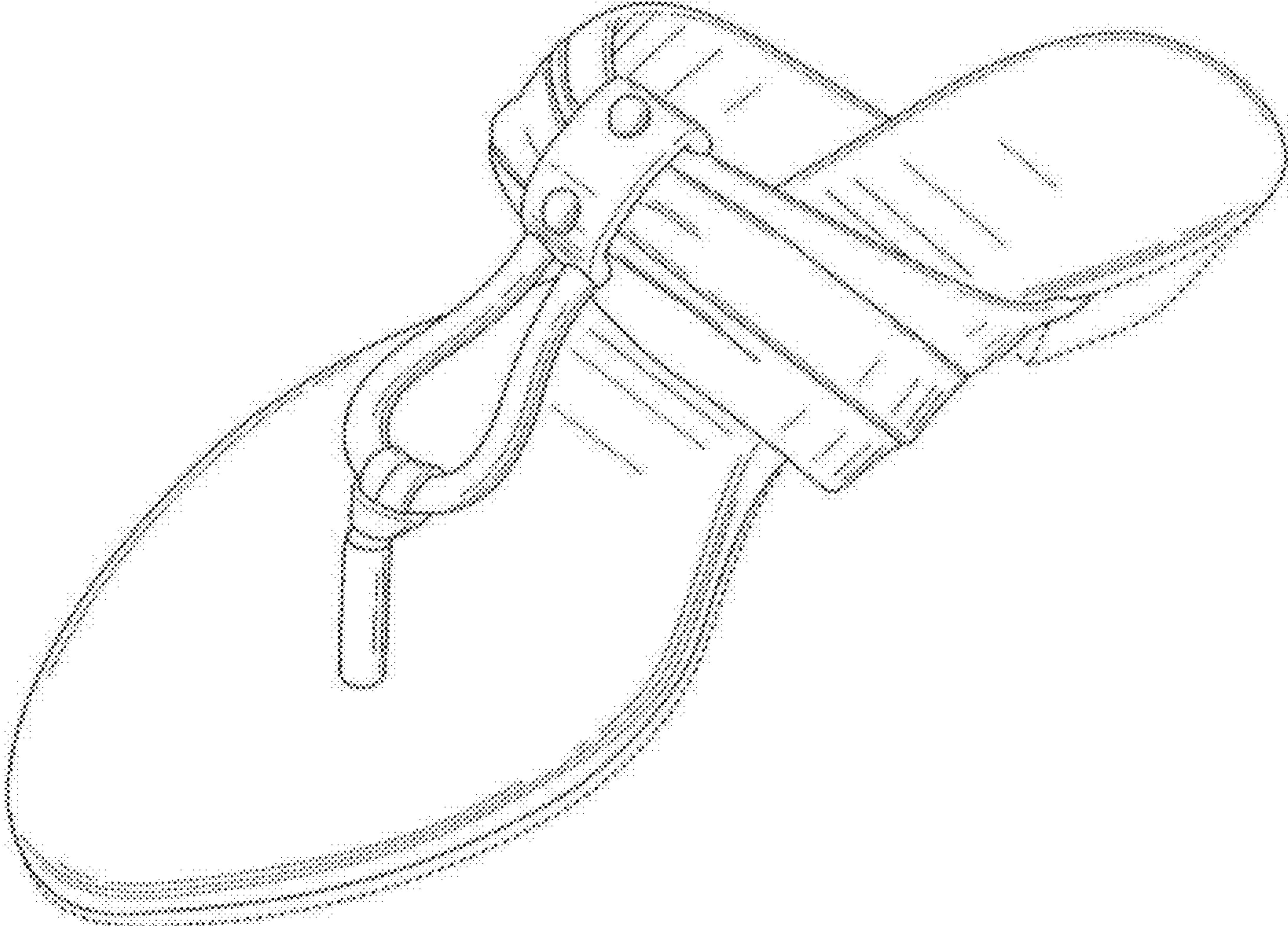


FIG. 1

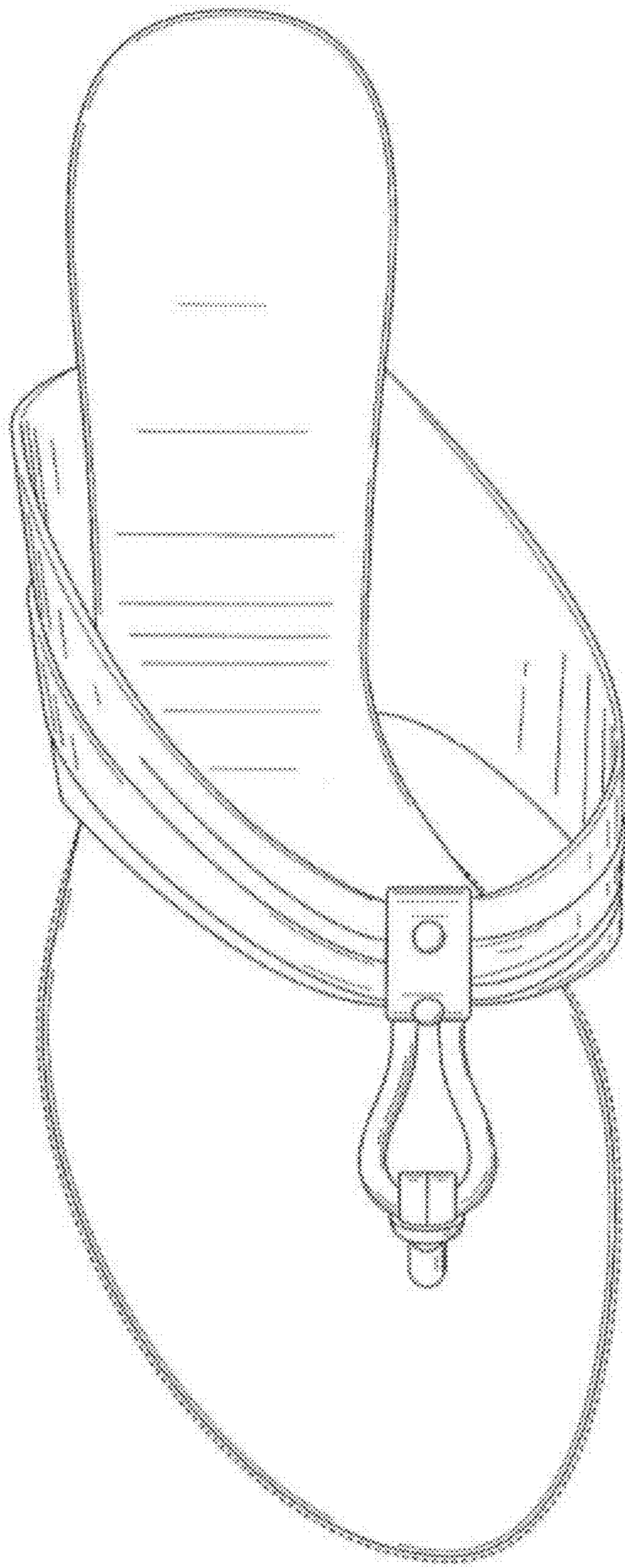


FIG. 2

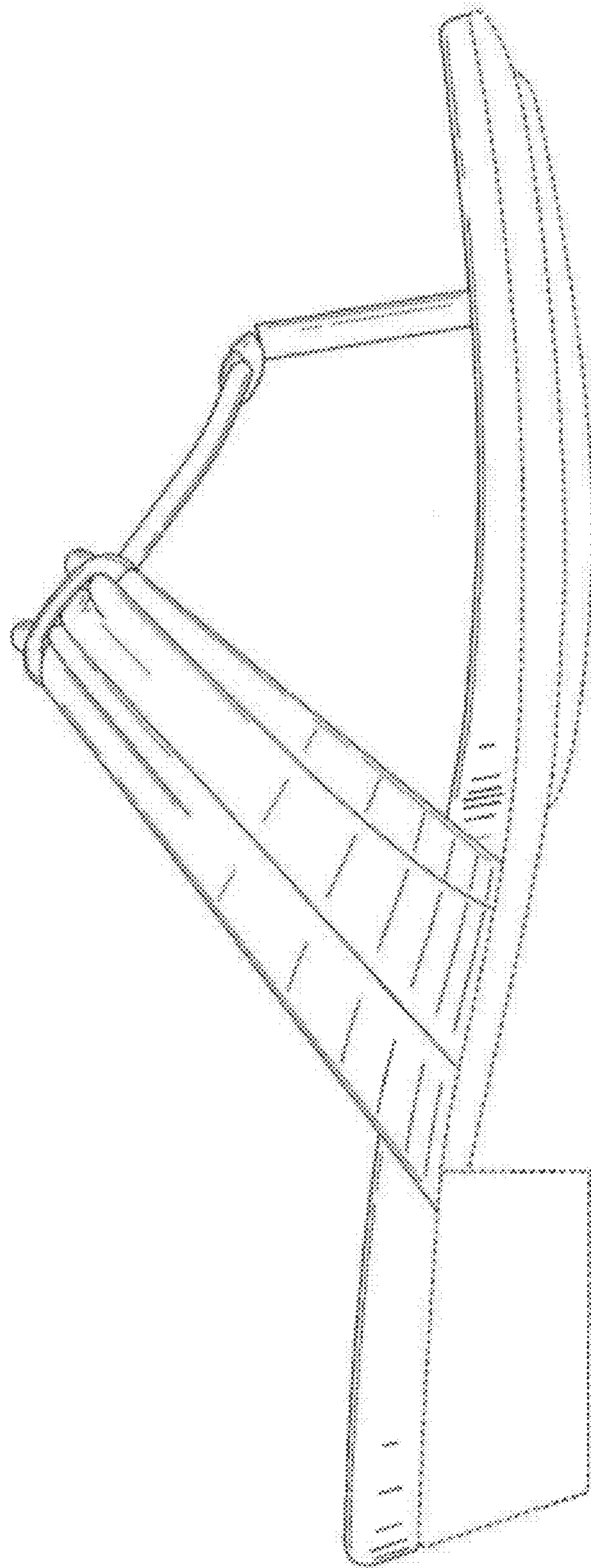


FIG. 3

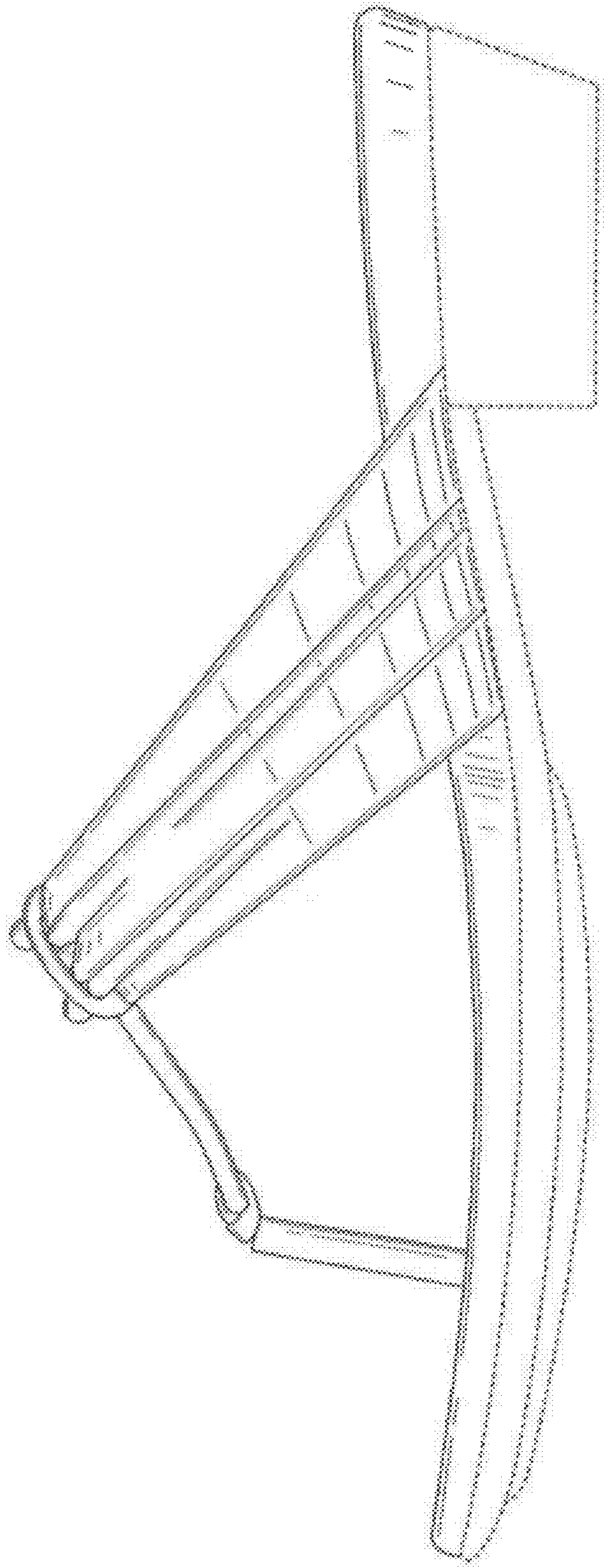


FIG. 4

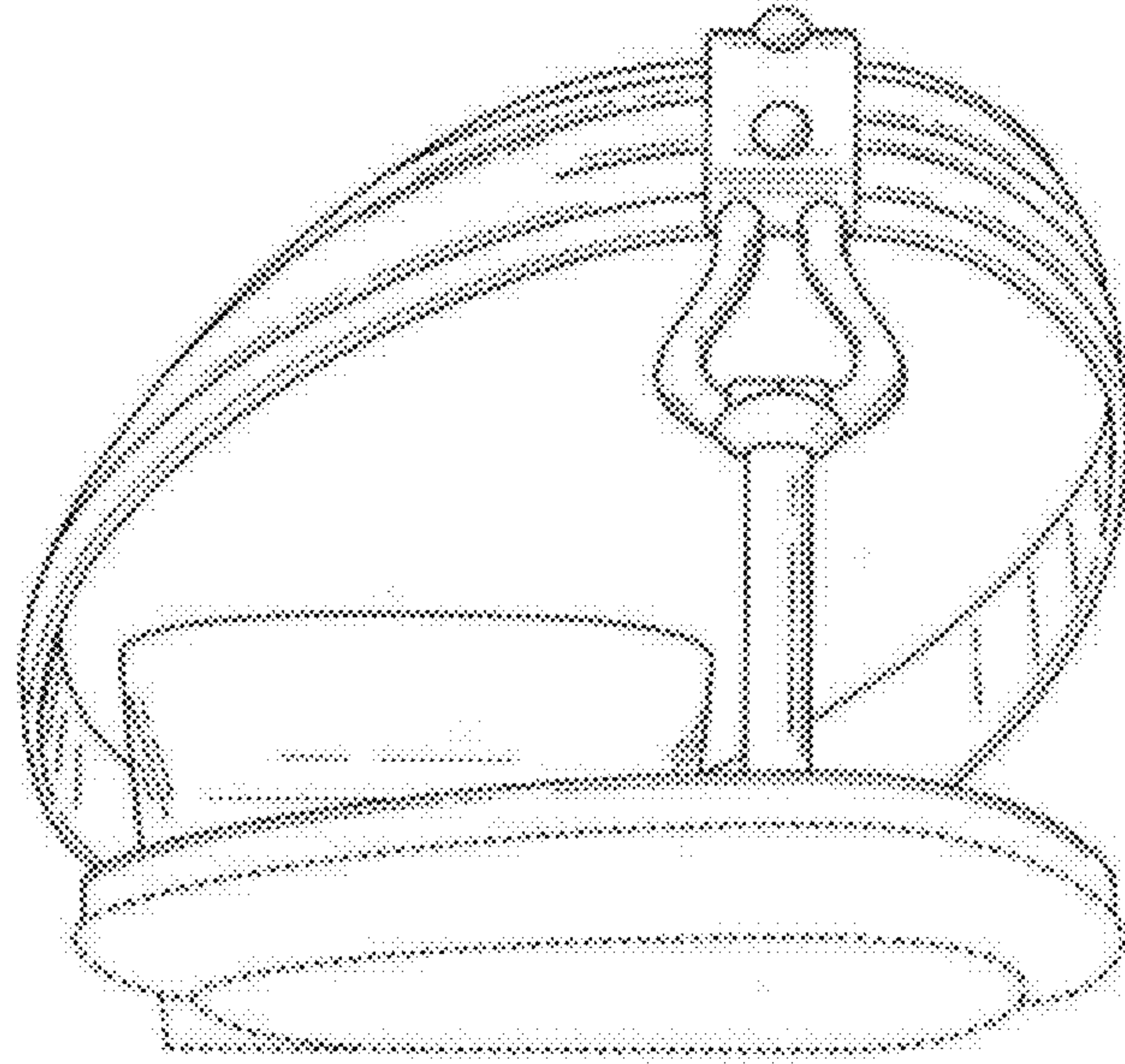


FIG. 5

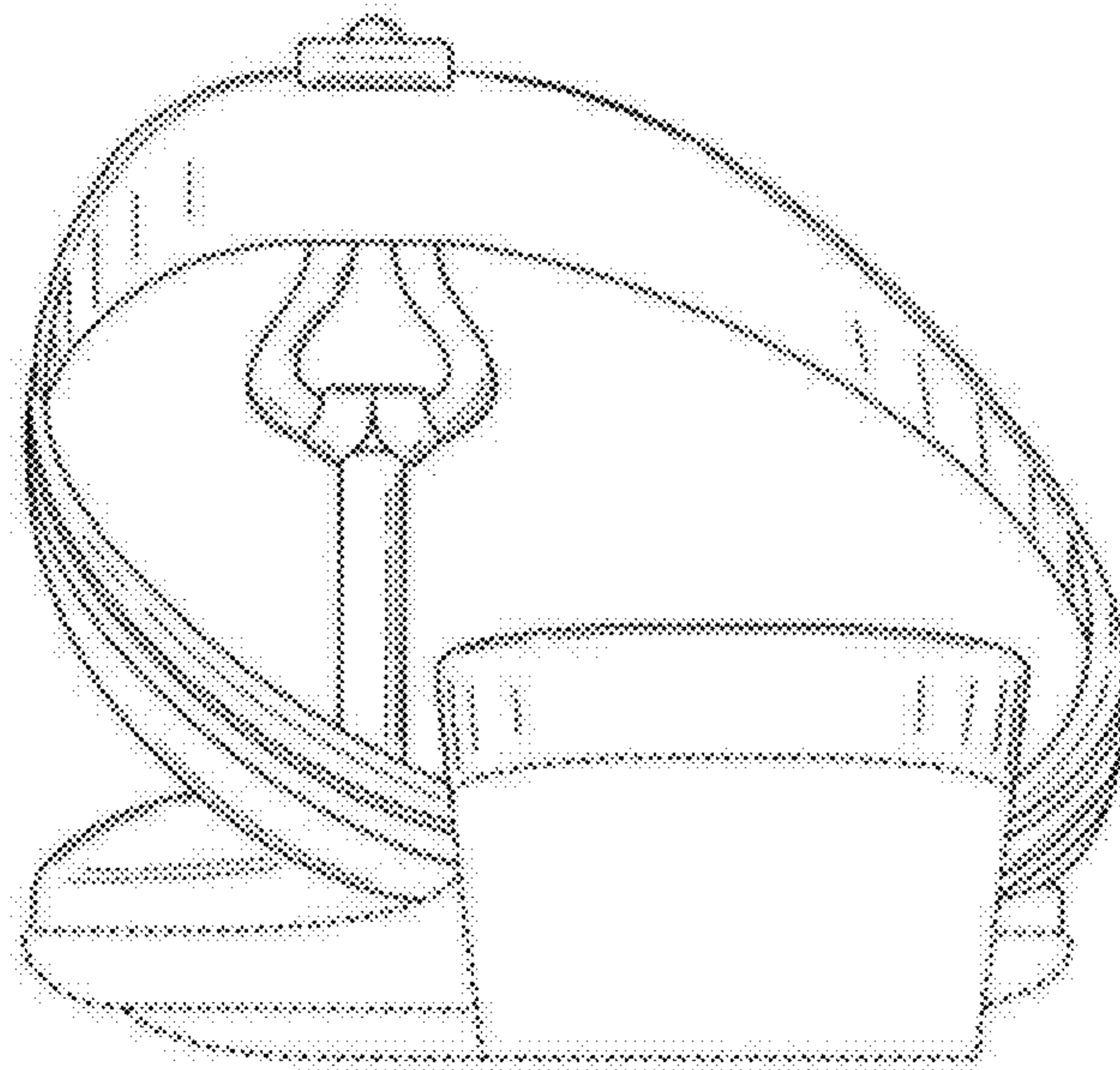


FIG. 6