



US00D655904S

(12) **United States Design Patent**
Issler

(10) **Patent No.:** **US D655,904 S**
(45) **Date of Patent:** **** Mar. 20, 2012**

- (54) **UPPER FOR A SHOE**
- (75) Inventor: **David C. Issler**, Andover, MA (US)
- (73) Assignee: **Columbia Insurance Company**,
Omaha, NE (US)
- (**) Term: **14 Years**
- (21) Appl. No.: **29/379,487**
- (22) Filed: **Nov. 19, 2010**
- (51) **LOC (9) Cl.** **02-99**
- (52) **U.S. Cl.** **D2/971**
- (58) **Field of Classification Search** D2/916,
D2/919, 925-942, 946, 950, 964-966, 969,
D2/971; 36/10, 11.5, 100-102
See application file for complete search history.

- D558,968 S * 1/2008 Guers-Neyrud D2/971
- D599,095 S * 9/2009 Issler D2/971
- D599,541 S * 9/2009 Issler D2/971
- D604,491 S * 11/2009 Issler D2/971
- D610,334 S * 2/2010 Issler D2/971
- D650,162 S * 12/2011 Issler D2/971
- D650,163 S * 12/2011 Issler D2/971

* cited by examiner

Primary Examiner — Dominic Simone

(74) *Attorney, Agent, or Firm* — IP Attorneys Group, LLC

(57) **CLAIM**

The ornamental design for a upper for a shoe, as shown and described.

DESCRIPTION

FIG. 1 is a top perspective view of an upper shoe for a shoe in accordance with my new design;
FIG. 2 is a top view thereof;
FIG. 3 is a left side view thereof;
FIG. 4 is a right side view thereof;
FIG. 5 is a front view thereof; and,
FIG. 6 is a rear view thereof.

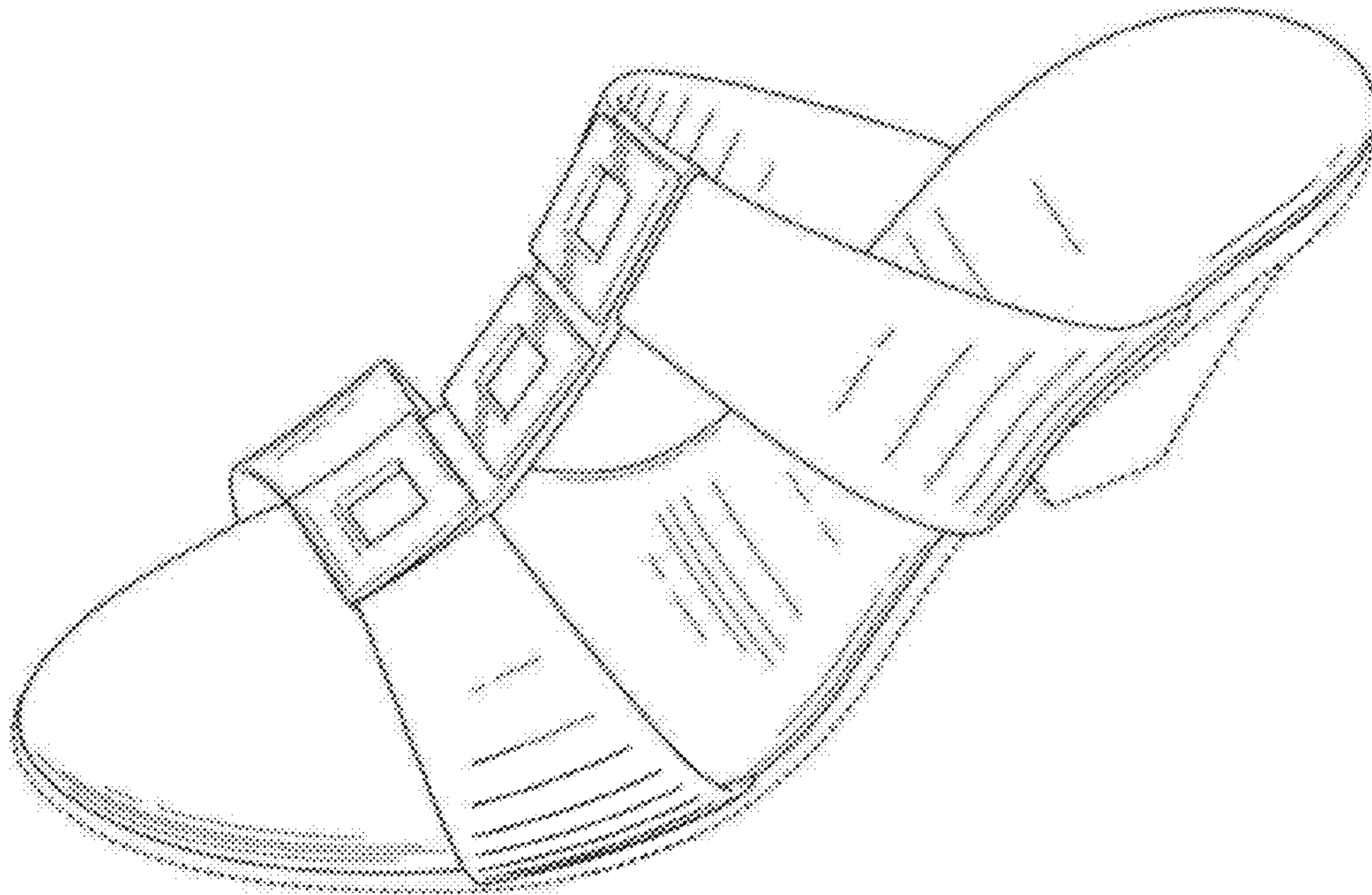
The broken lines shown in all of the figures are for environmental purposes and from no part of the claim.

1 Claim, 5 Drawing Sheets

(56) **References Cited**

U.S. PATENT DOCUMENTS

- D107,525 S * 12/1937 Levine D2/932
- D517,793 S * 3/2006 Choi D2/971
- D557,487 S * 12/2007 Lawler D2/971
- D558,439 S * 1/2008 Lawler D2/971
- D558,966 S * 1/2008 Wilkinson D2/971



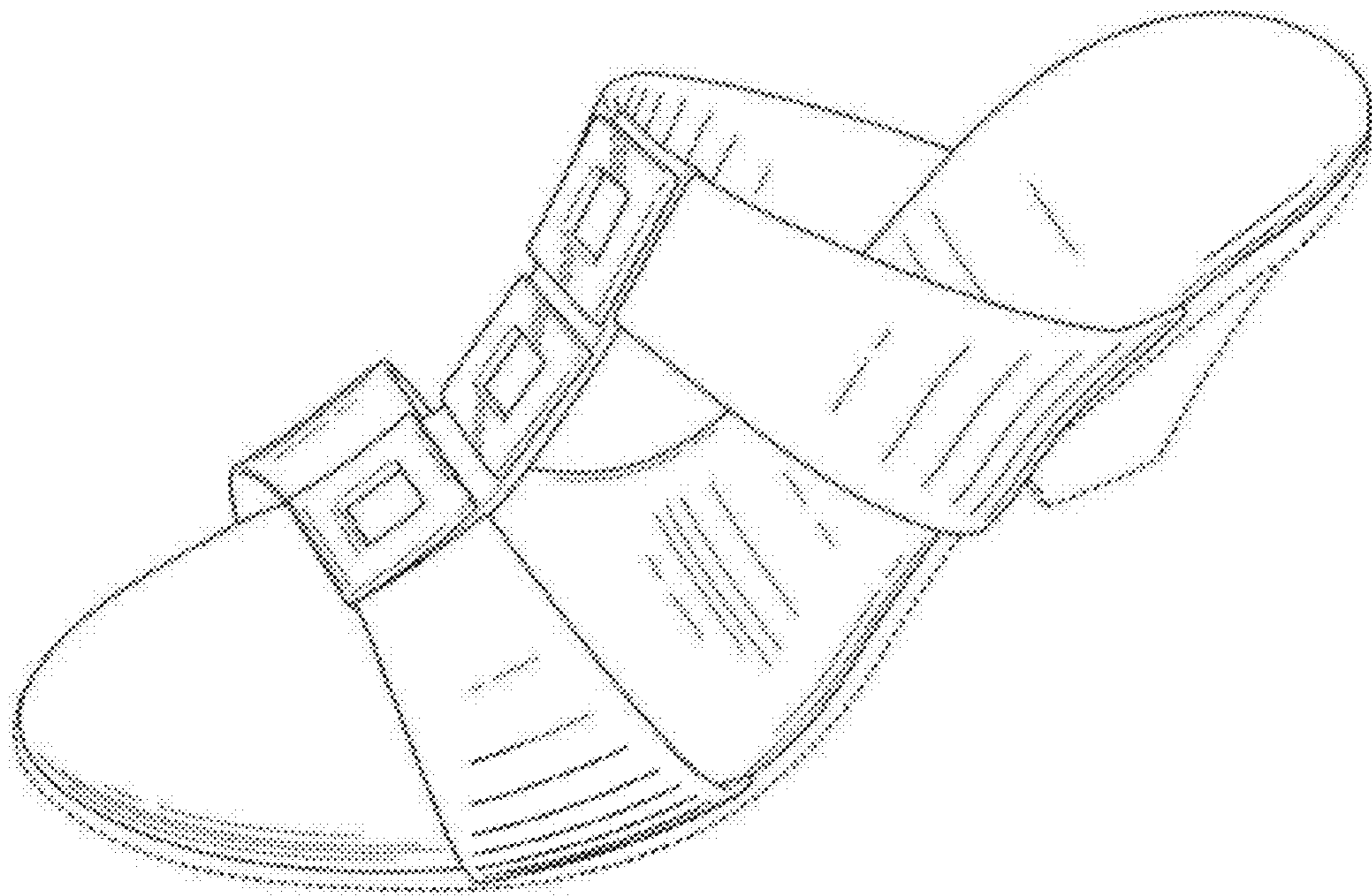


FIG. 1

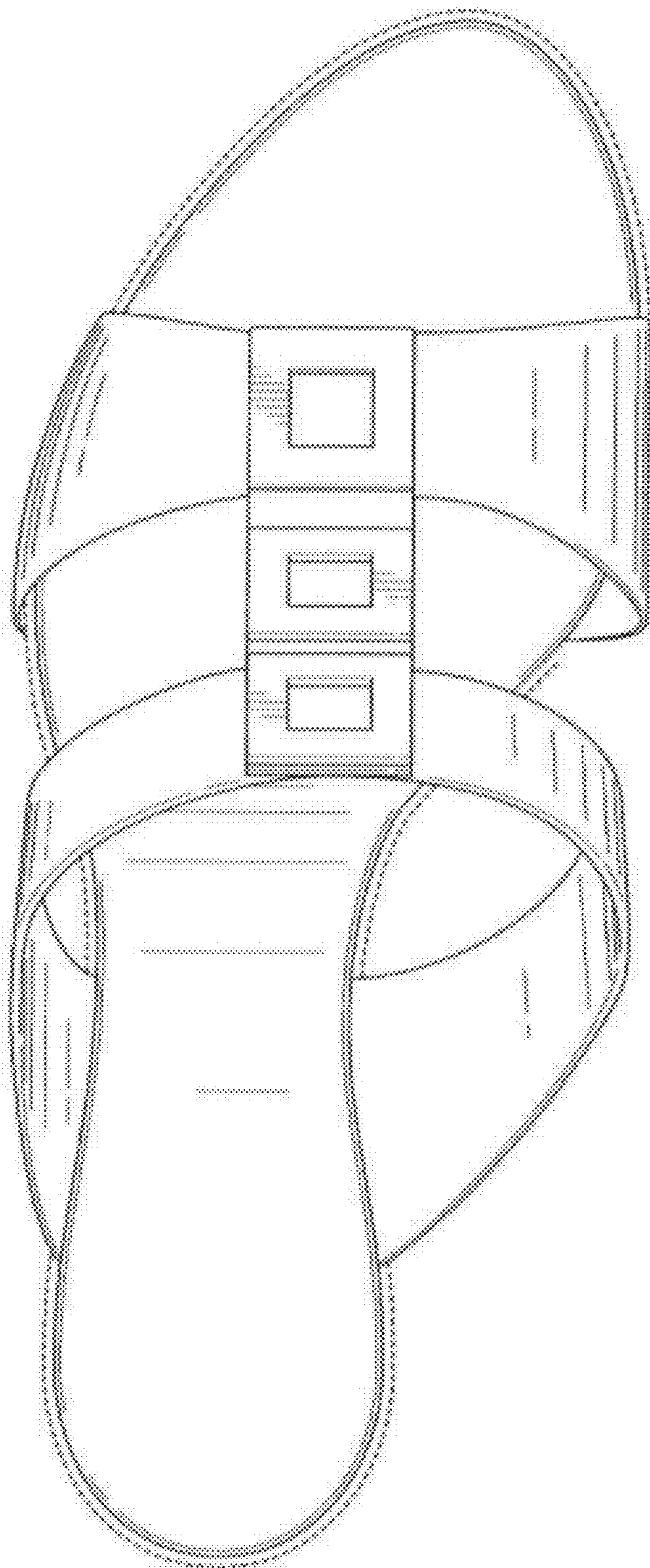


FIG. 2

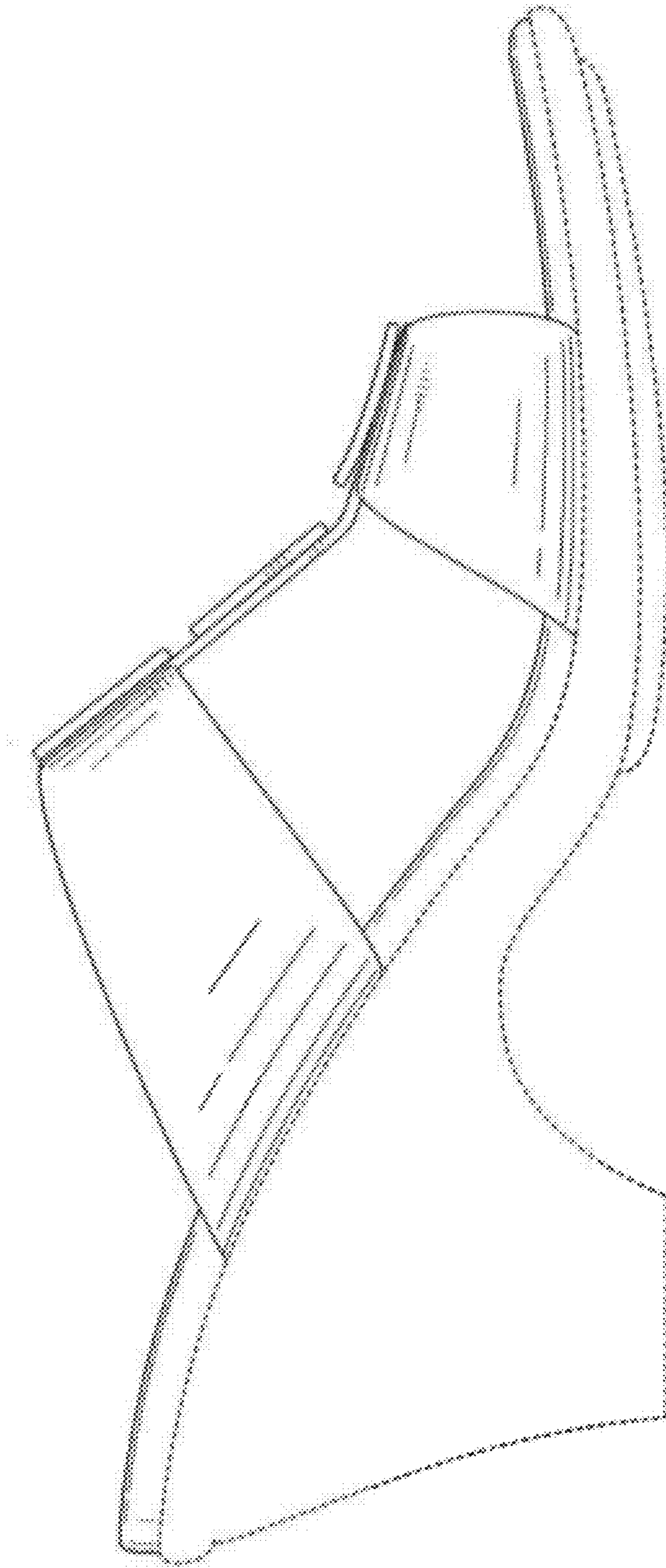


FIG. 3

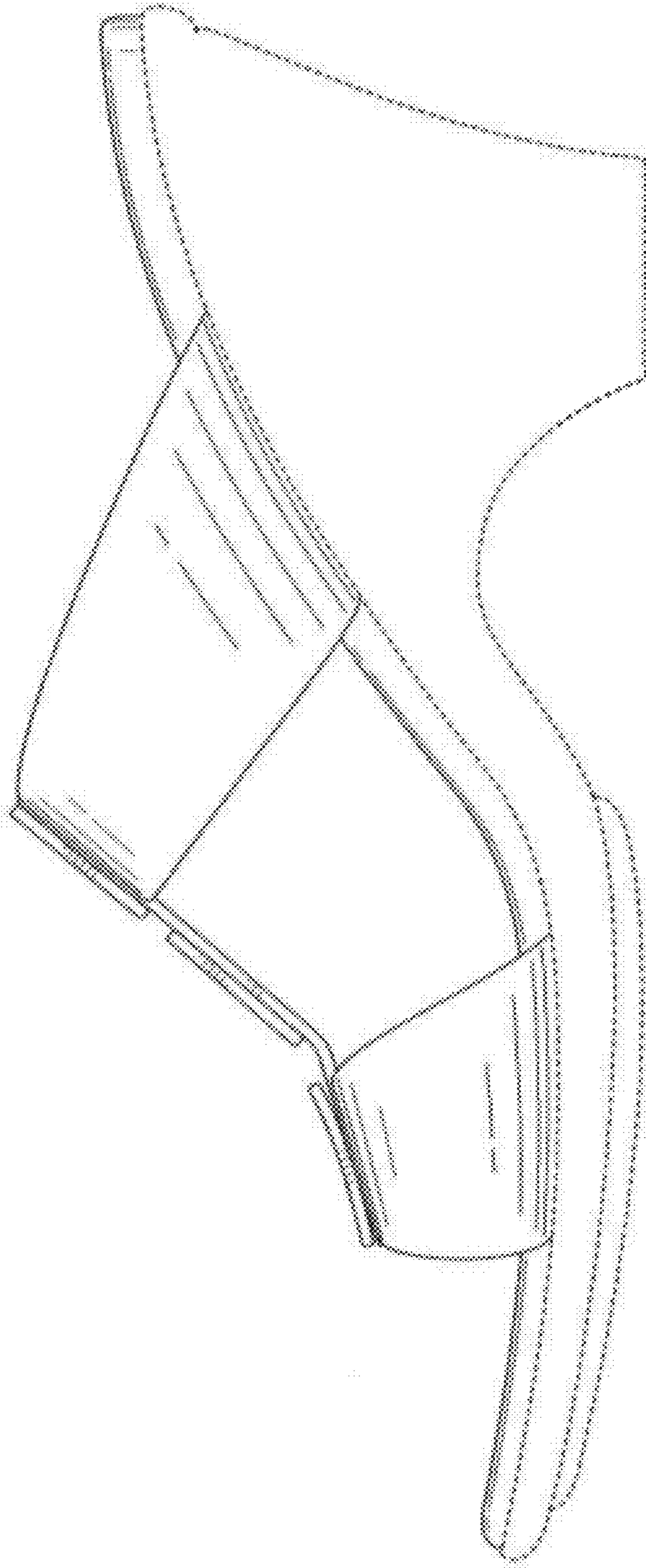


FIG. 4

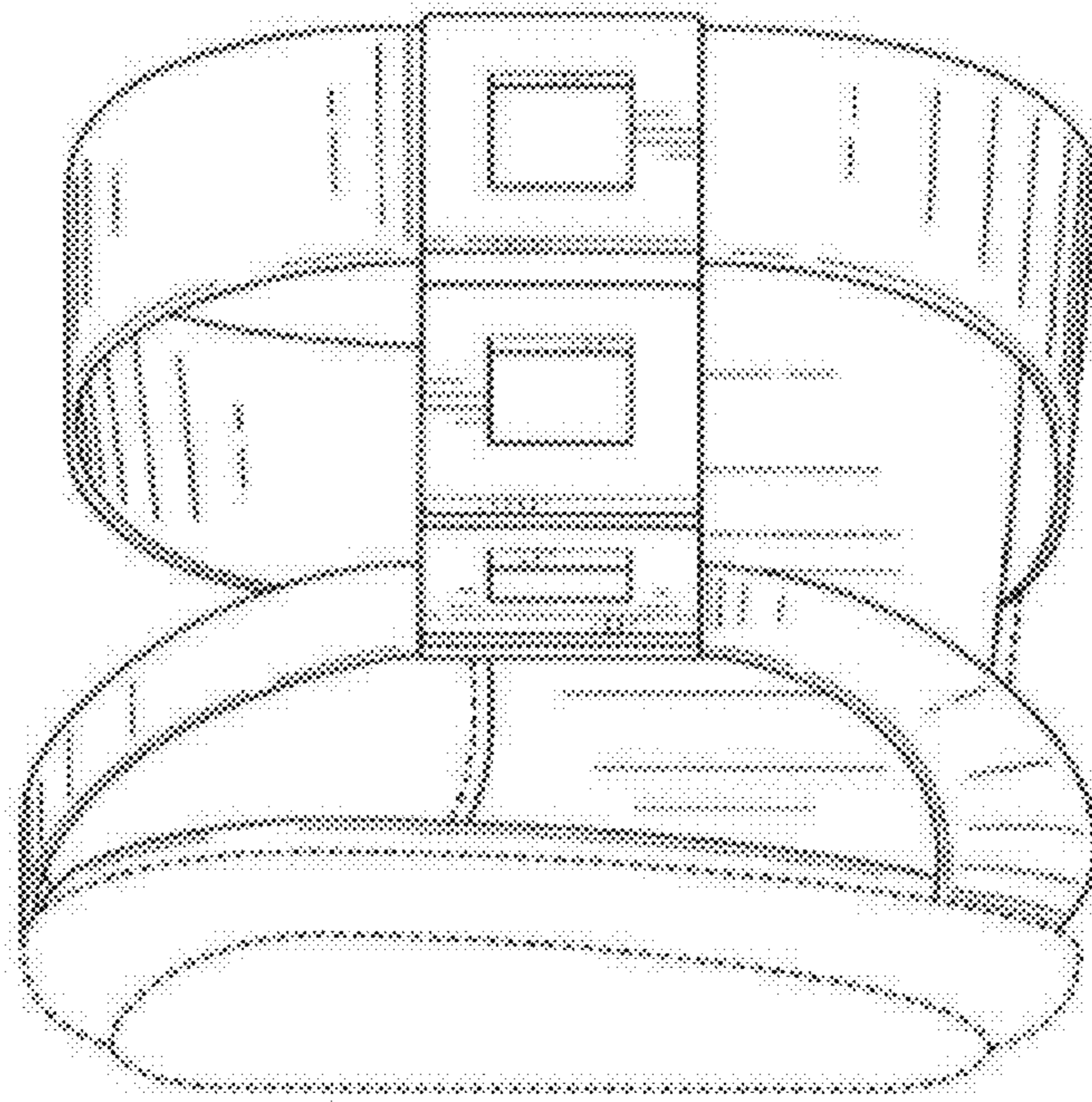


FIG. 5

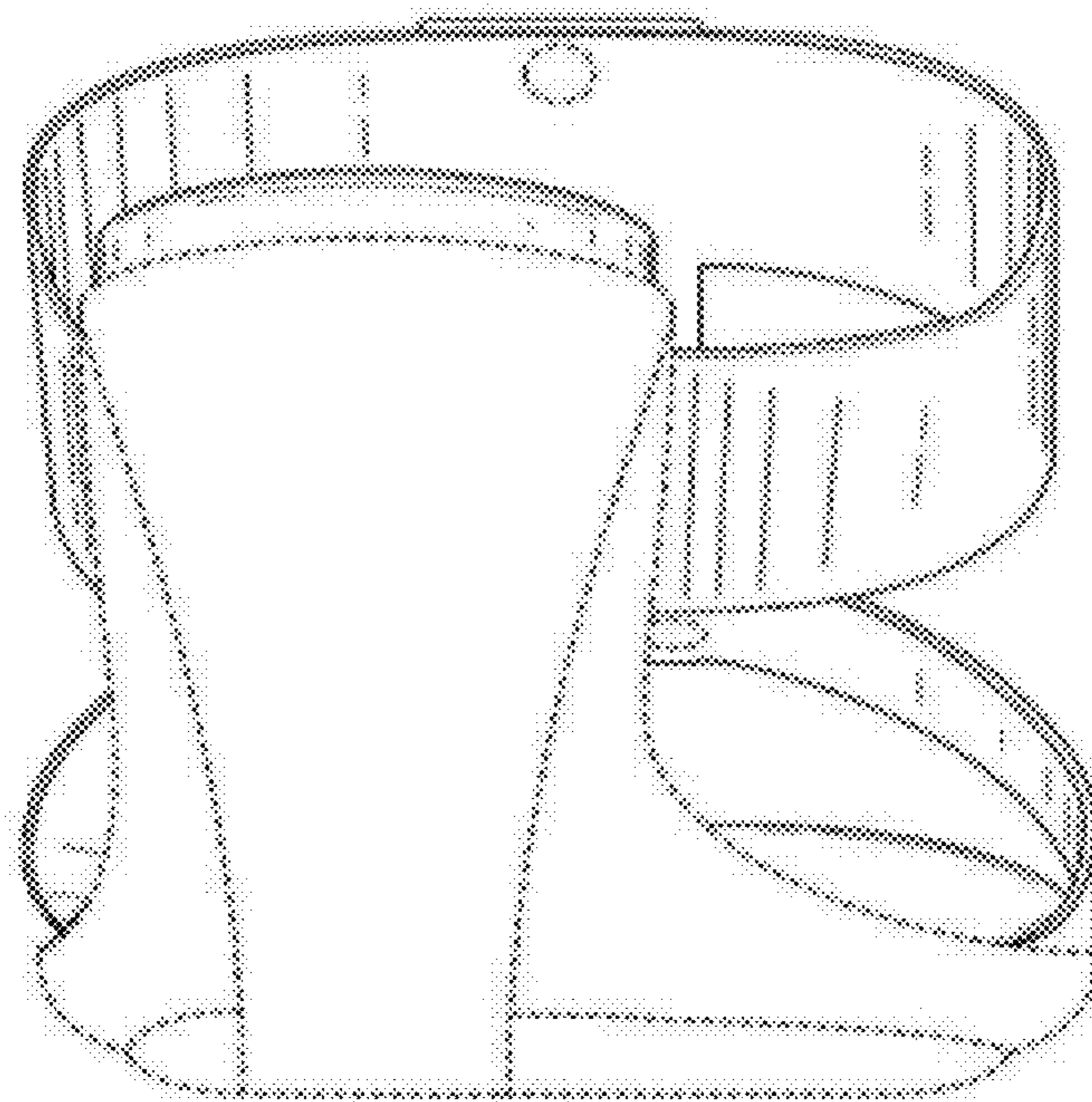


FIG. 6