



US00D655889S

(12) **United States Design Patent**
Carucci et al.

(10) **Patent No.:** **US D655,889 S**
(45) **Date of Patent:** **** Mar. 20, 2012**

(54) **ATTACHABLE SLEEVE**

(76) Inventors: **Patricia Carucci**, Monroe, NY (US);
Ellen Mayer, Chester, NY (US)

(**) Term: **14 Years**

(21) Appl. No.: **29/332,874**

(22) Filed: **Feb. 27, 2009**

Related U.S. Application Data

(63) Continuation-in-part of application No. 12/345,538,
filed on Dec. 29, 2008, now abandoned.

(51) **LOC (9) Cl.** **02-06**

(52) **U.S. Cl.** **D2/610**

(58) **Field of Classification Search** D2/610,
D2/614, 615, 623, 858; D29/120.1, 121.1,
D29/122; D24/190; 2/16, 17, 44-46, 59,
2/167-169

See application file for complete search history.

(56) **References Cited**

U.S. PATENT DOCUMENTS

D97,684 S *	12/1935	Schwartz	D2/768
D118,350 S *	12/1939	Rinaldi	D2/774
D120,326 S *	4/1940	Kushner	D2/806
D120,848 S *	5/1940	Israel	D2/808
D122,186 S *	8/1940	Ranuzzi	D2/774
2,297,159 A *	9/1942	Mohler	2/76
D139,733 S *	12/1944	Walker	D2/800
2,528,340 A *	10/1950	Coven	2/114
5,005,217 A *	4/1991	Bern et al.	2/104
D402,441 S *	12/1998	Kelly	D2/858

D446,382 S *	8/2001	Mongold	D2/610
D637,790 S *	5/2011	Stoffle	D2/717
D644,821 S *	9/2011	King	D2/840

* cited by examiner

Primary Examiner — Raphael Barkai
Assistant Examiner — Randall Gholson

(74) *Attorney, Agent, or Firm* — Kelleher Patent Law; Sean
Liam Kelleher

(57) **CLAIM**

The ornamental design for an attachable sleeve, as shown and
described.

DESCRIPTION

FIG. 1 is a perspective view of a user wearing a sleeveless
garment with the attachable sleeve of the present invention
attached.

FIG. 2 is a front view of the embodiment of FIG. 1 of the
attachable sleeve of the present invention;

FIG. 3 is a right view of the embodiment of FIG. 1 of the
attachable sleeve of the present invention;

FIG. 4 is a left view of the embodiment of FIG. 1 of the
attachable sleeve of the present invention;

FIG. 5 is a back view of the embodiment of FIG. 1 of the
attachable sleeve of the present invention;

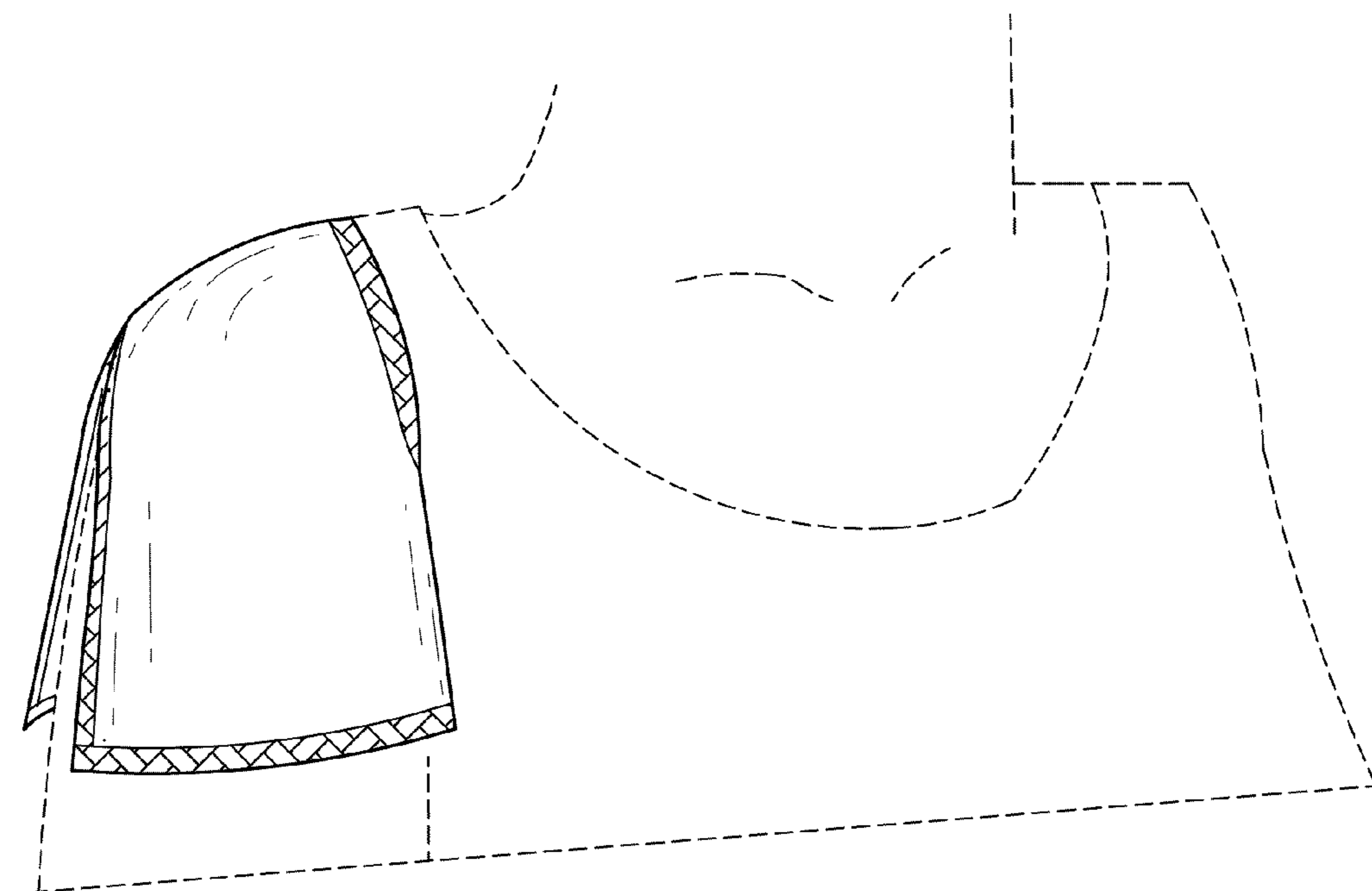
FIG. 6 is a top view of the embodiment of FIG. 1 of the
attachable sleeve of the present invention;

FIG. 7 is a bottom view of the embodiment of FIG. 1 of the
attachable sleeve of the present invention;

FIG. 8 is an outside laid flat open view of the embodiment of
FIG. 1 of the attachable sleeve of the present invention; and,

FIG. 9 is an inside laid flat open view of the embodiment of
FIG. 1 of the attachable sleeve of the present invention.

1 Claim, 2 Drawing Sheets



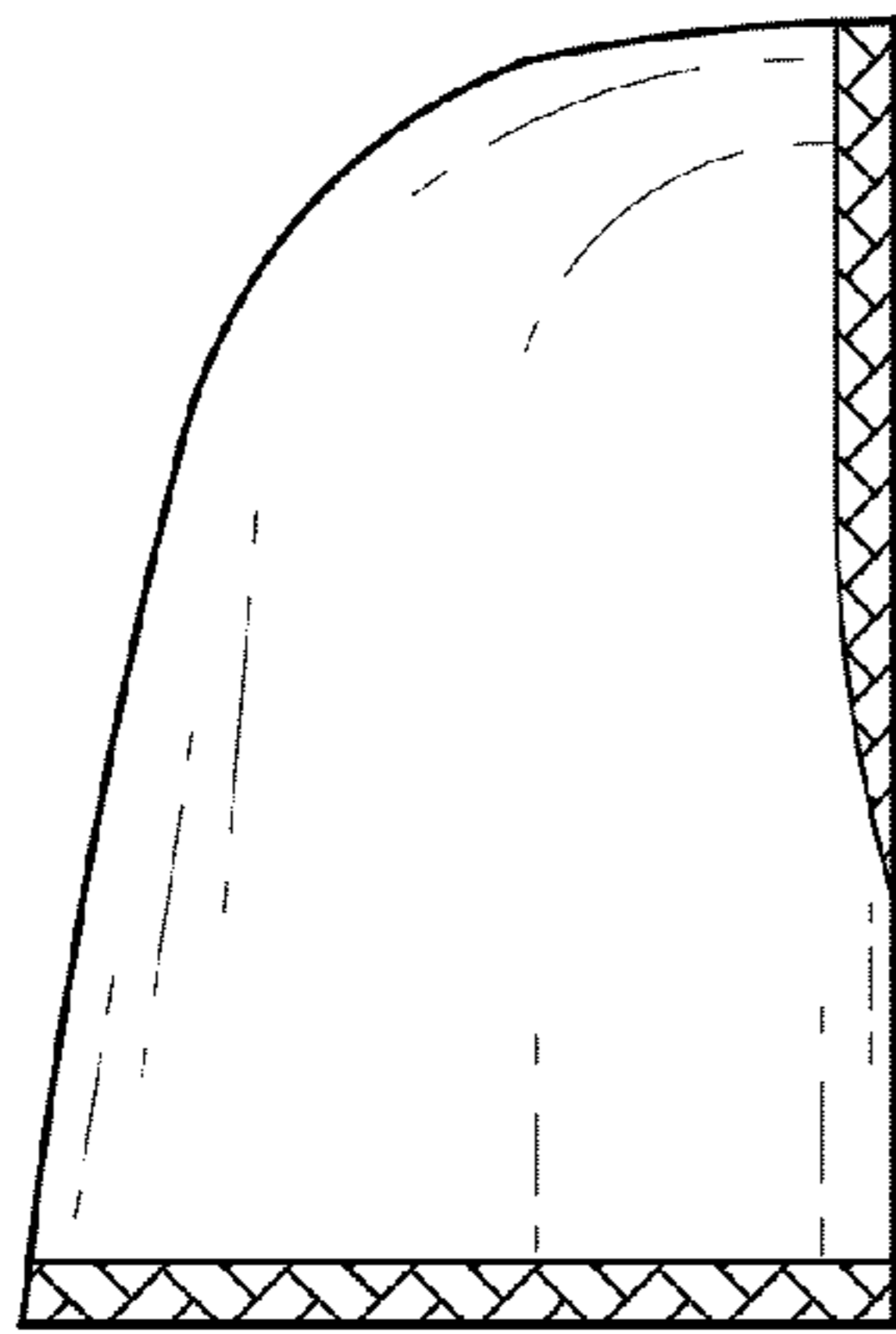
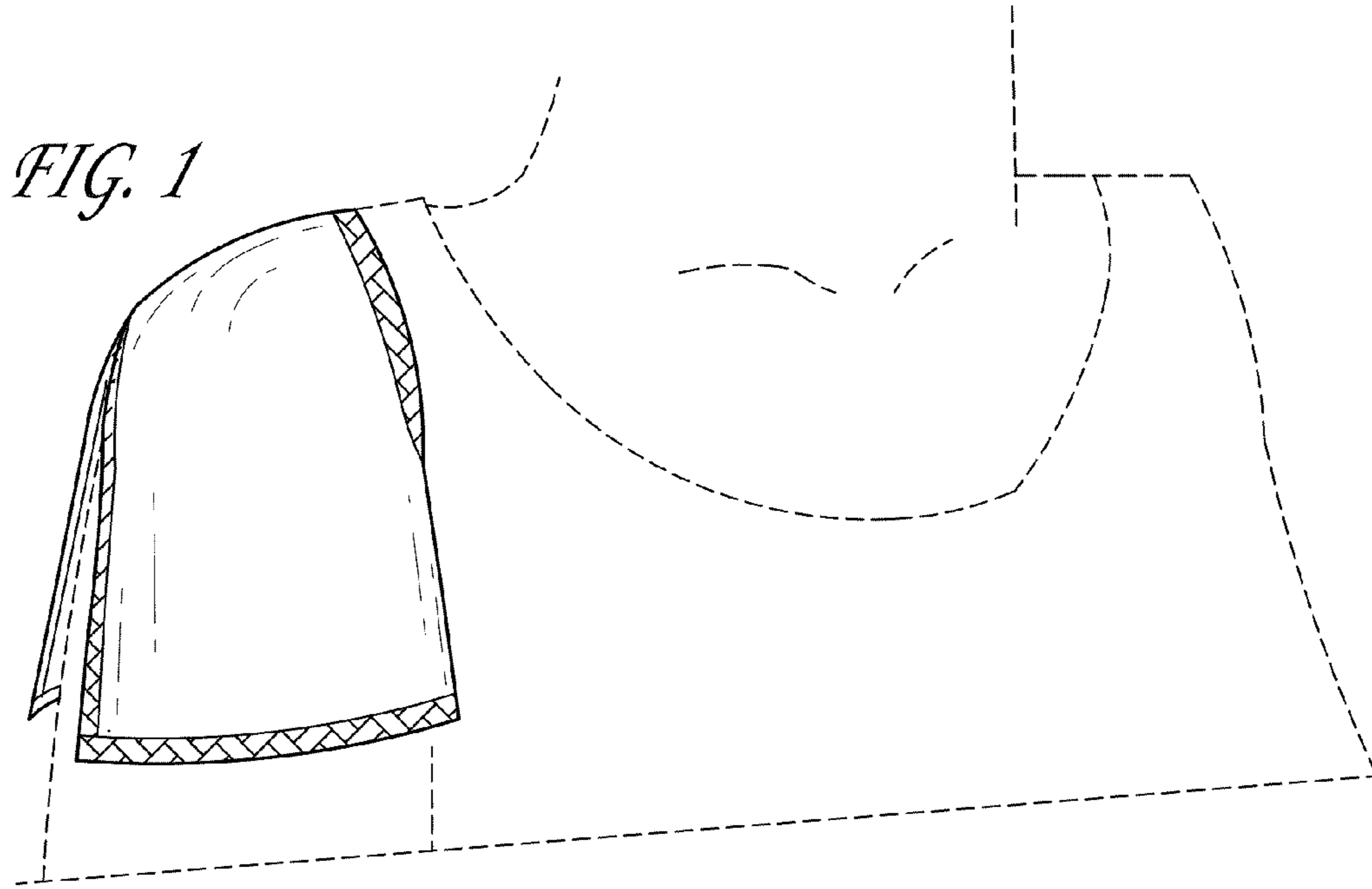


FIG. 2

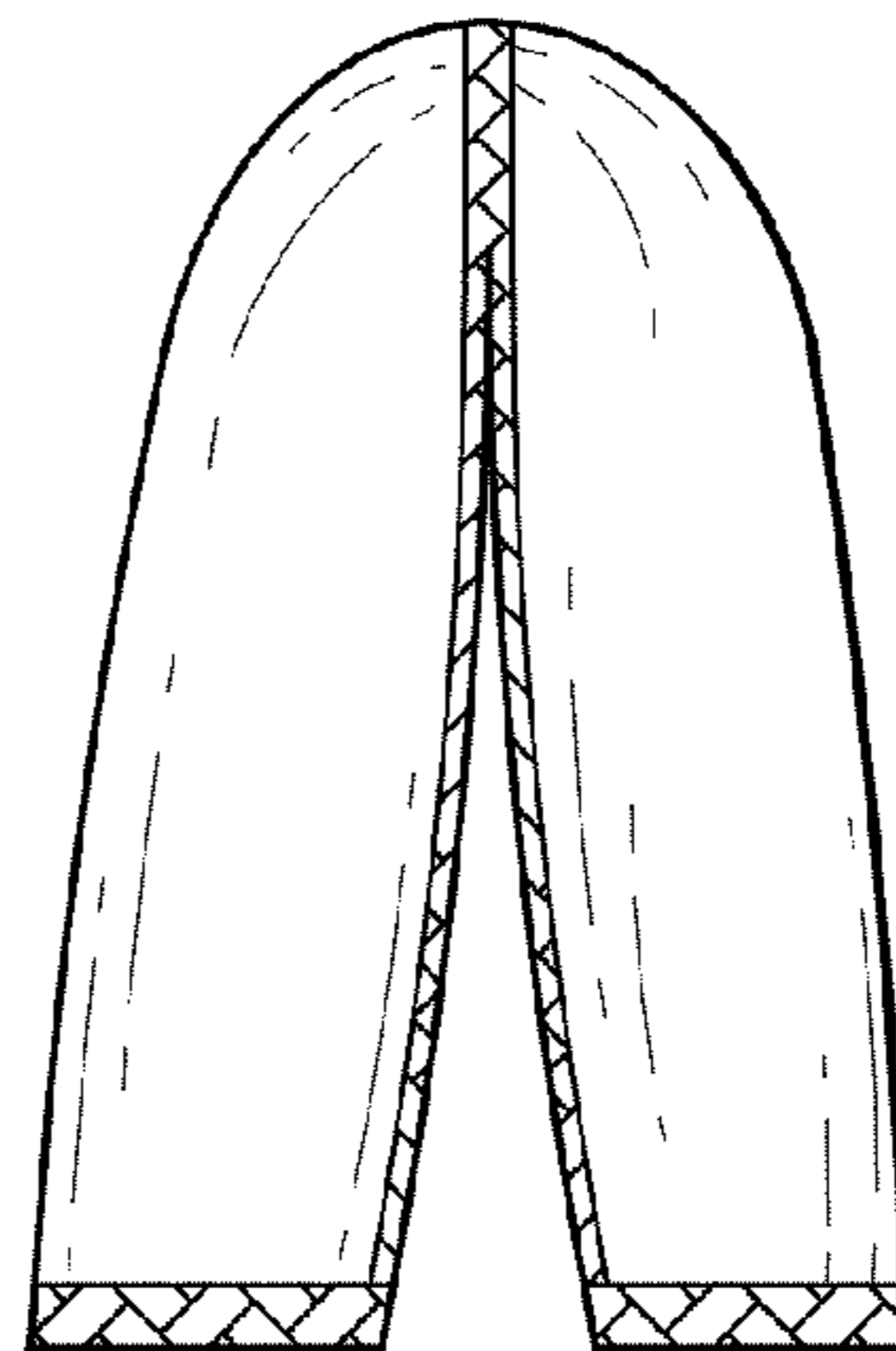


FIG. 3

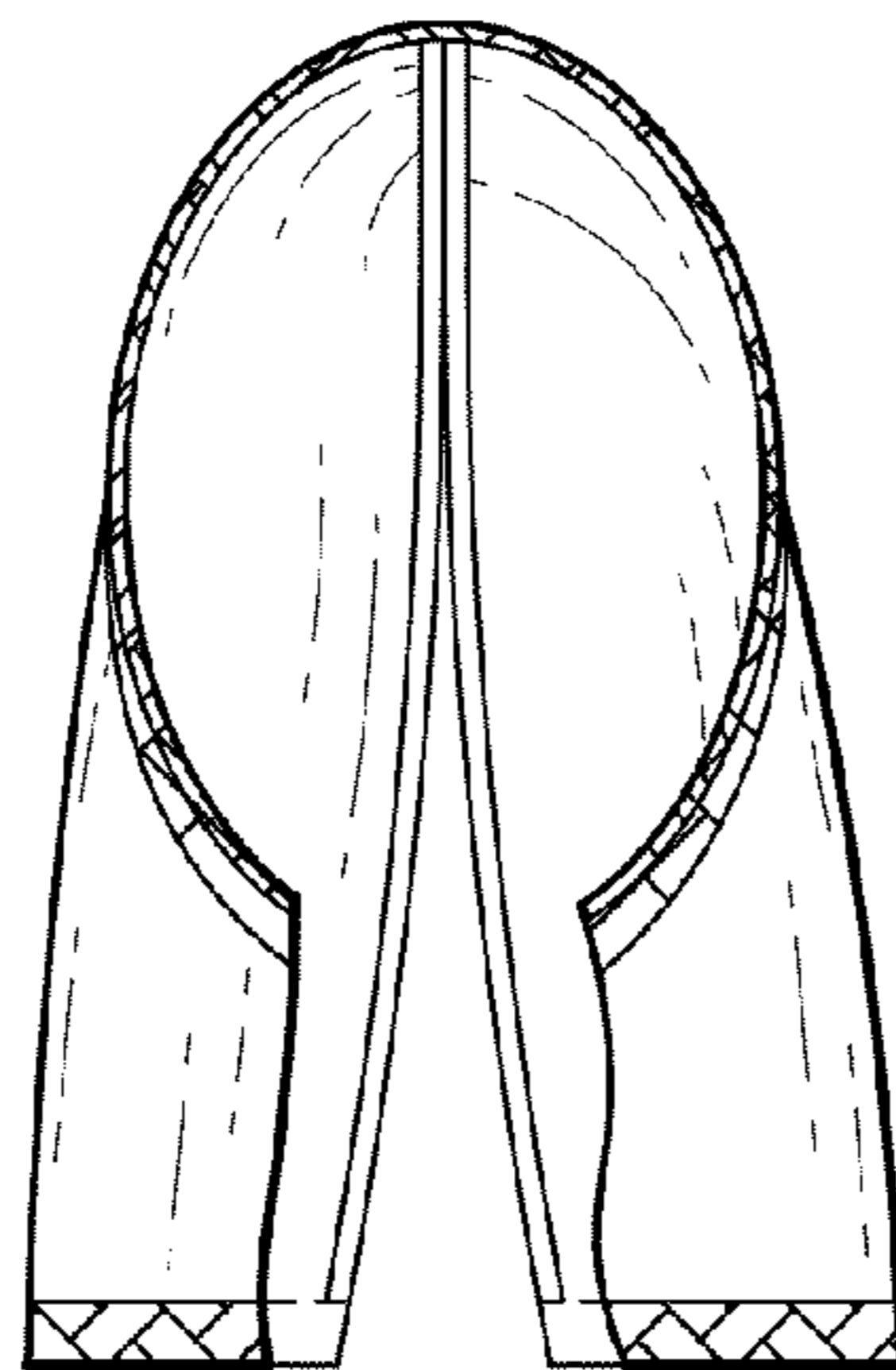


FIG. 4

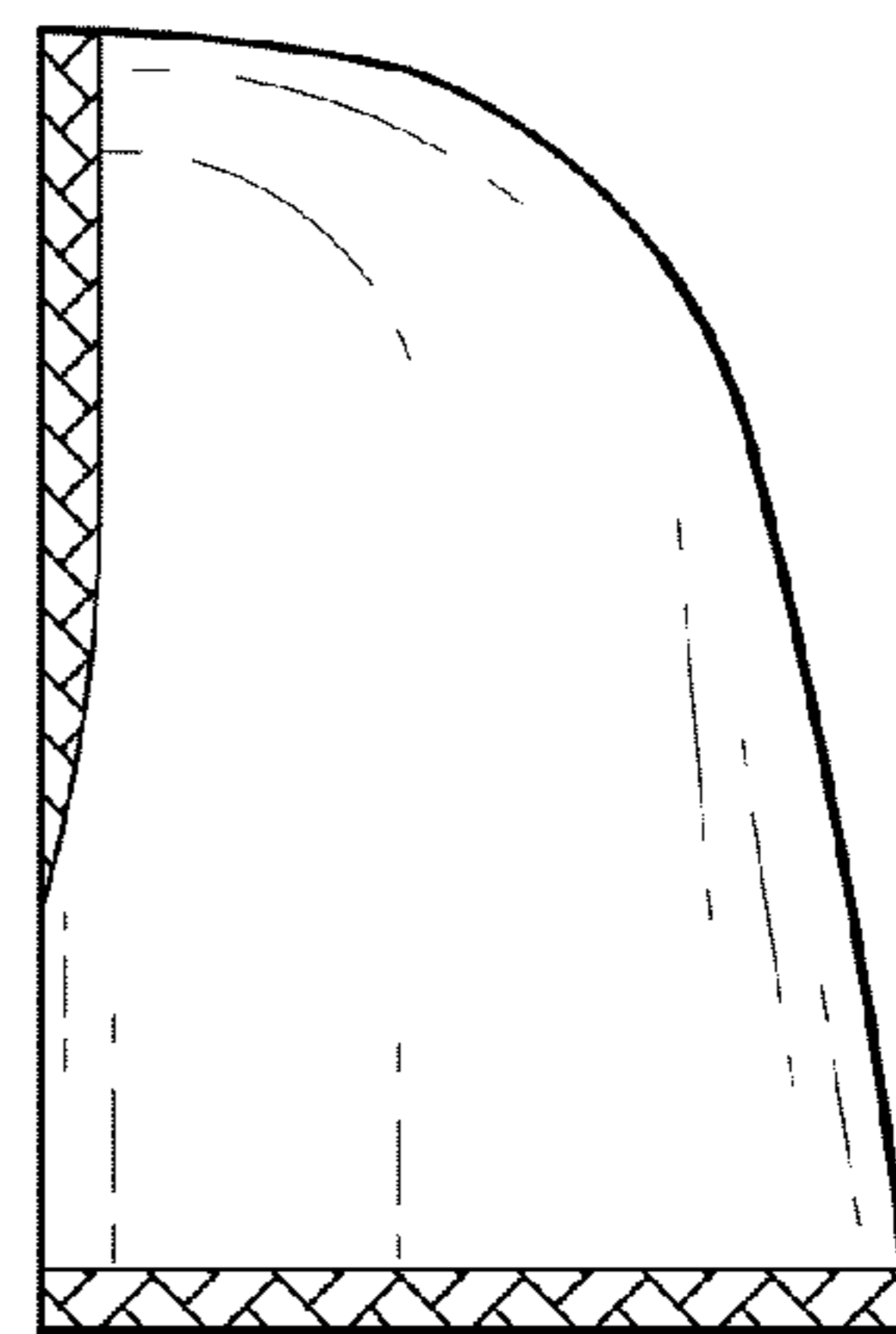


FIG. 5

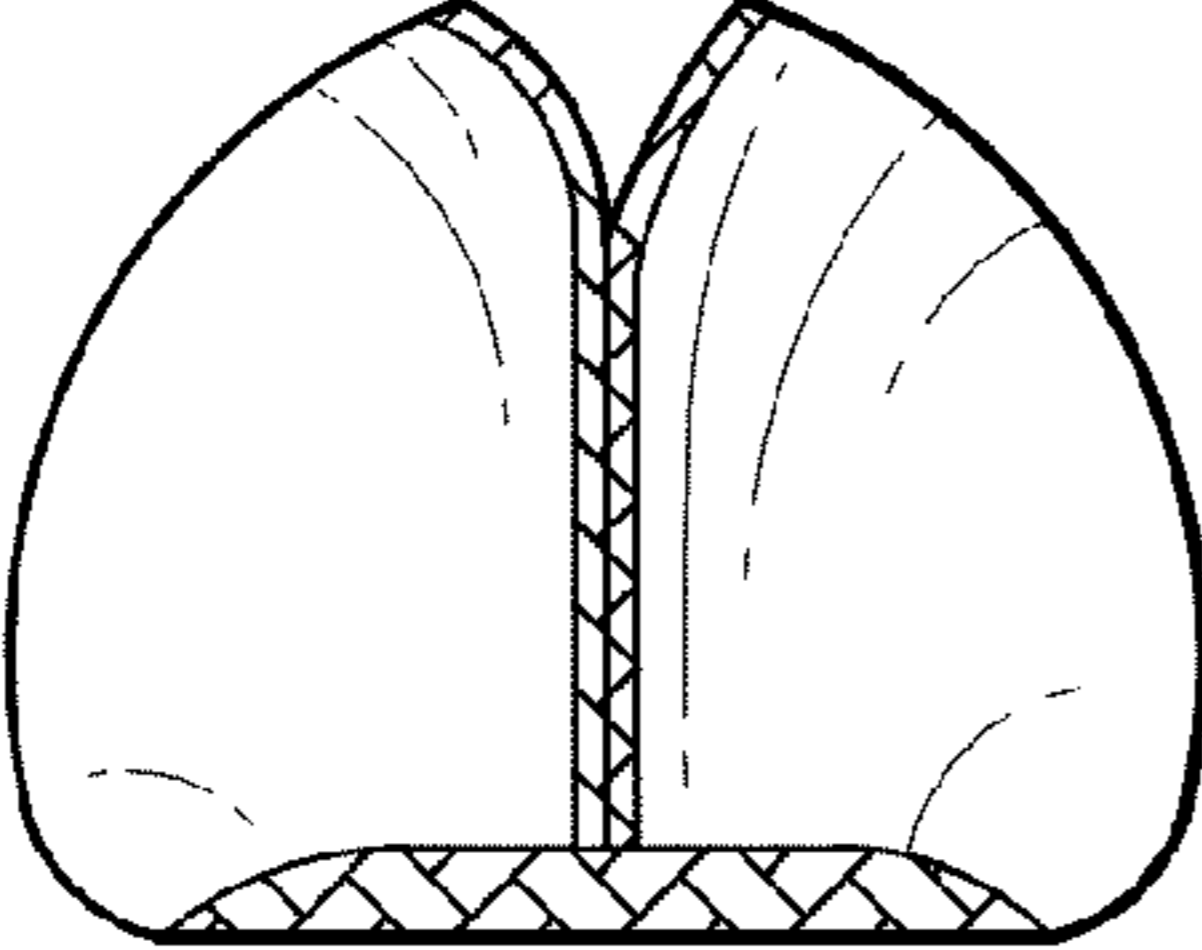


FIG. 6

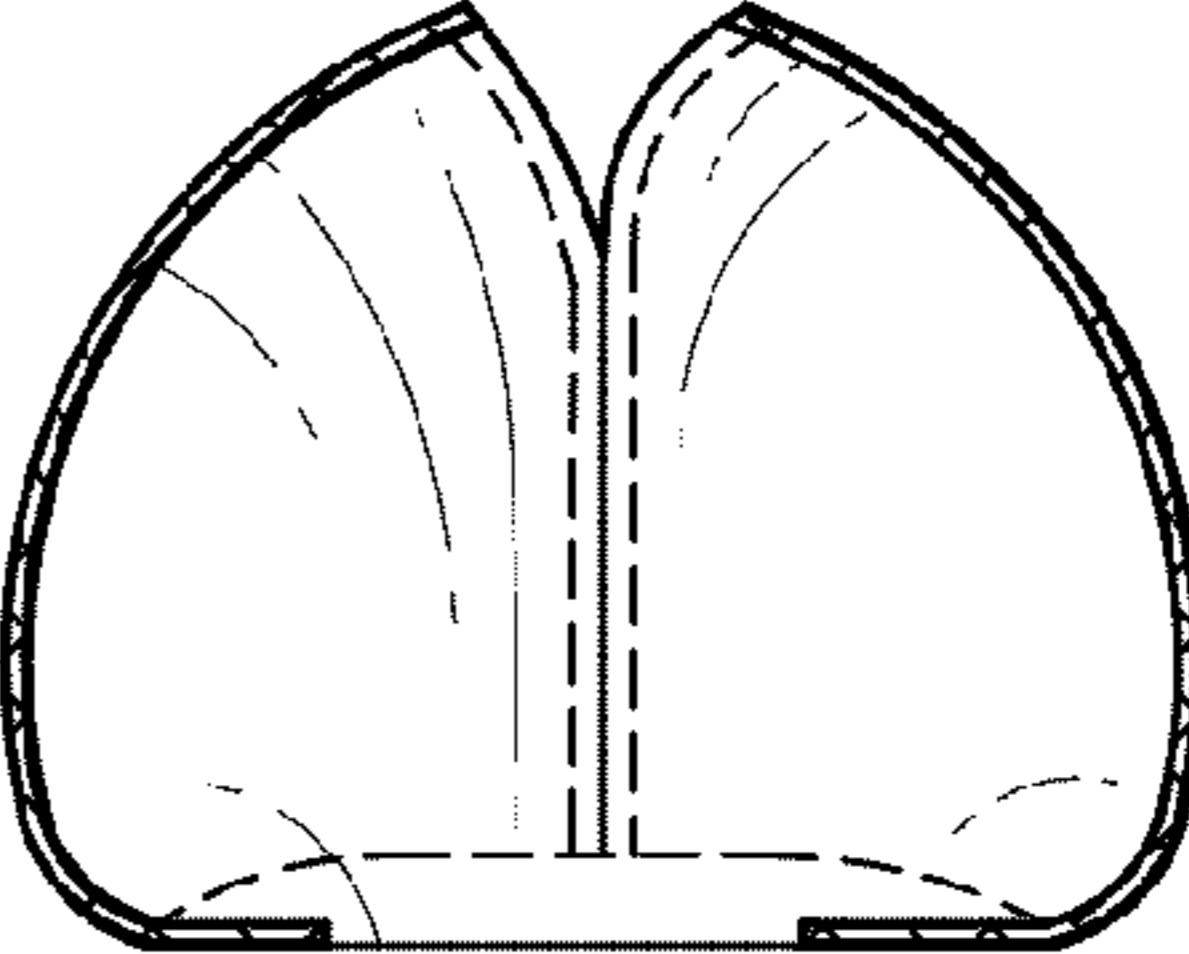


FIG. 7

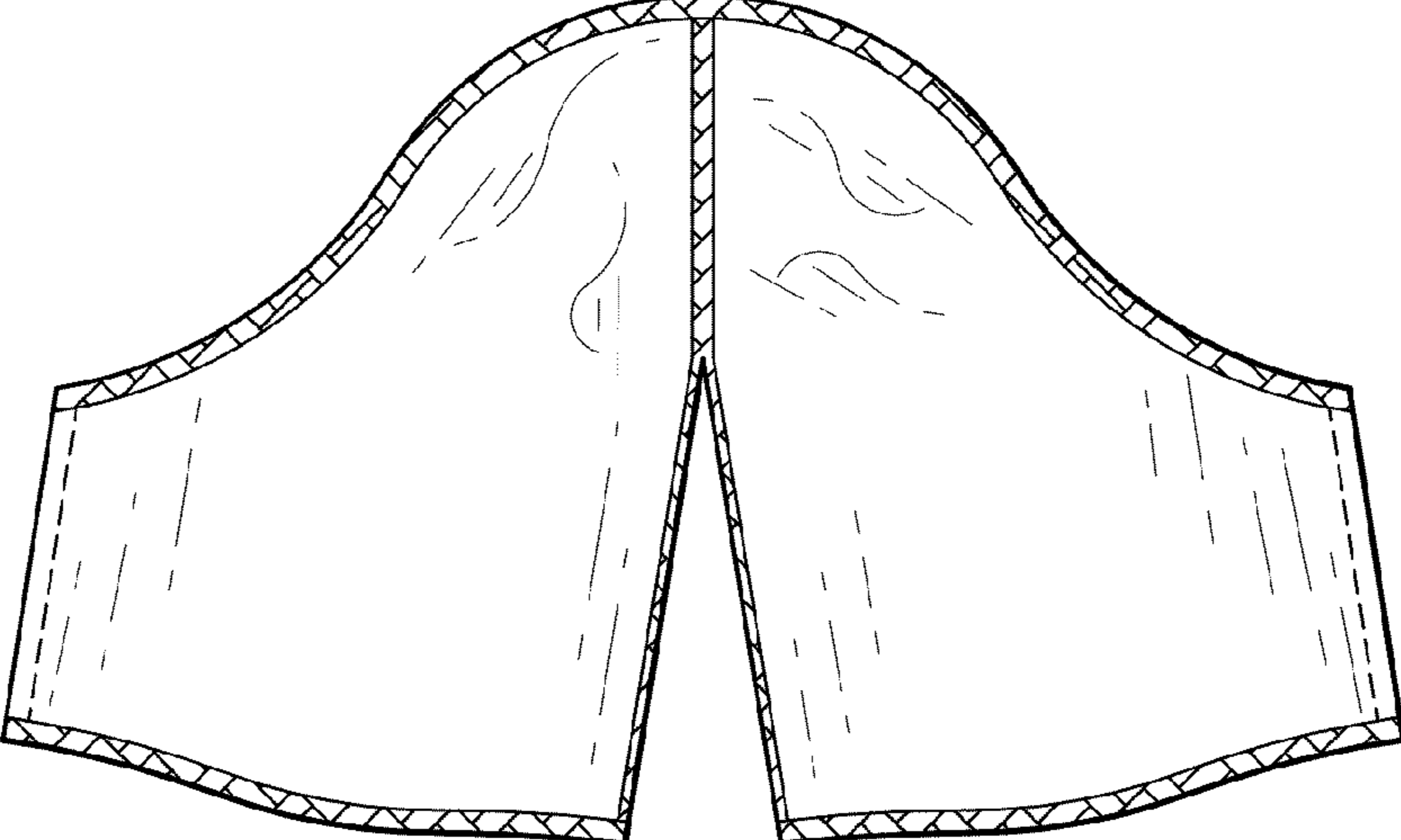


FIG. 8

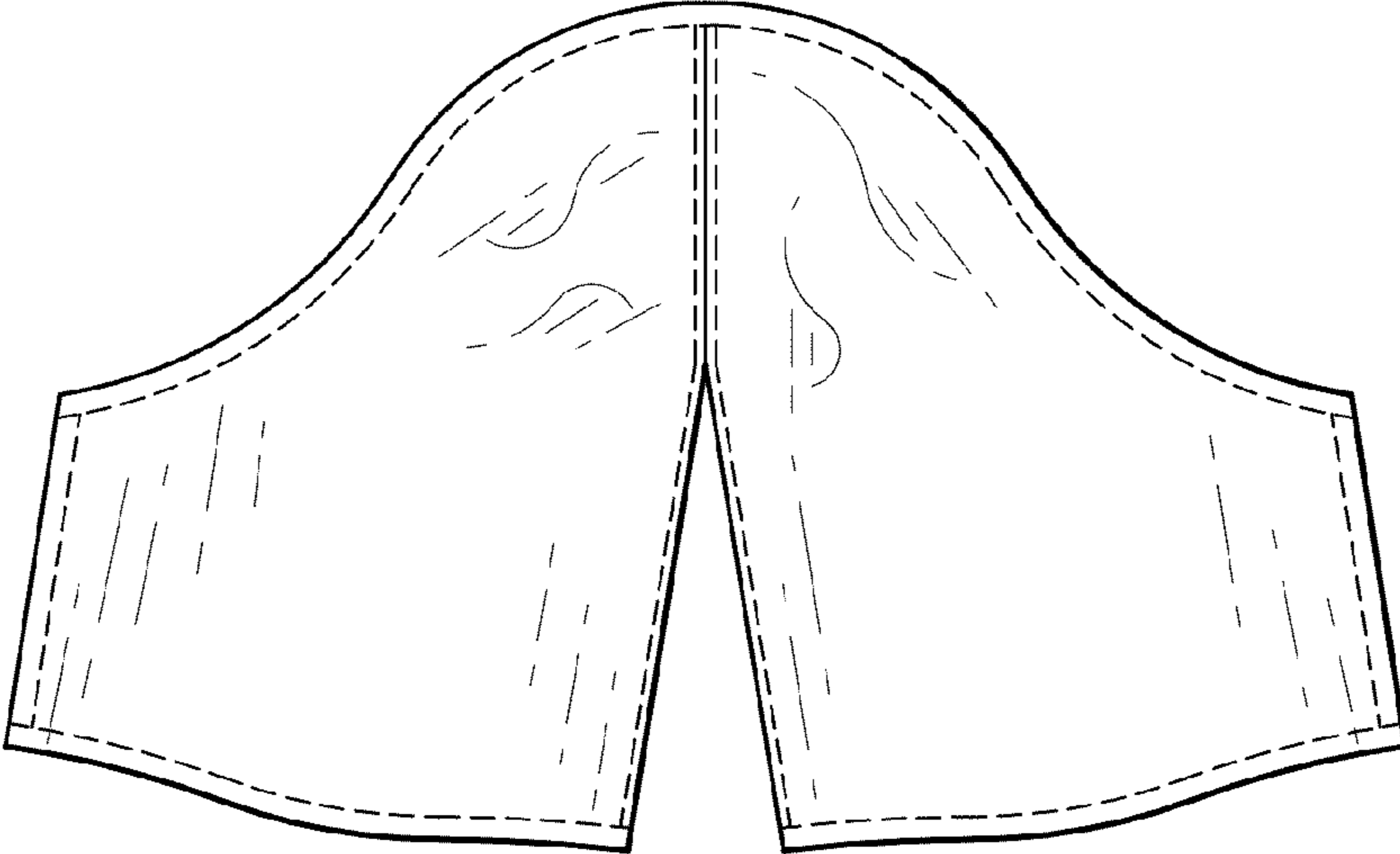


FIG. 9